



US00D873709S

(12) **United States Design Patent**
Han

(10) **Patent No.:** **US D873,709 S**
(45) **Date of Patent:** **** Jan. 28, 2020**

(54) **SELF-BALANCING TRANSPORTATION DEVICE**

(71) Applicant: **Bing Han**, Beijing (CN)
(72) Inventor: **Bing Han**, Beijing (CN)
(73) Assignee: **Inventist, Inc.**, Camas, WA (US)
(**) Term: **15 Years**

(21) Appl. No.: **29/587,030**
(22) Filed: **Dec. 8, 2016**
(51) **LOC (12) Cl.** **12-14**
(52) **U.S. Cl.**
USPC **D12/1; D21/760**
(58) **Field of Classification Search**
USPC D12/1, 107; D21/419, 763, 421, 423,
D21/426, 760, 765, 766, 769, 771, 776,
D21/803
CPC A63C 17/01; A63C 17/12; A63C 2203/00;
A63C 2203/01; A63C 2203/012; A63C
2203/013; A63C 2203/40; A63C 2203/52;
A63C 17/0033; A63C 17/016; A63C
17/08; B62D 51/02; B62D 51/001; B62D
61/00; B62D 37/00; B62K 2202/00;
B62K 2207/00; B62K 2207/02; B62K
2207/04; B62K 3/007; B62K 17/00;
B62K 11/007; B60N 2/002; B60G 17/019
See application file for complete search history.

(56) **References Cited**
U.S. PATENT DOCUMENTS
D774,958 S * 12/2016 Chen D12/107
D774,959 S * 12/2016 Chen D12/107
9,796,444 B1 * 10/2017 Lin B62K 15/006
(Continued)

Primary Examiner — T Chase Nelson
Assistant Examiner — Ania Aman
(74) *Attorney, Agent, or Firm* — Steven J. Sullivan

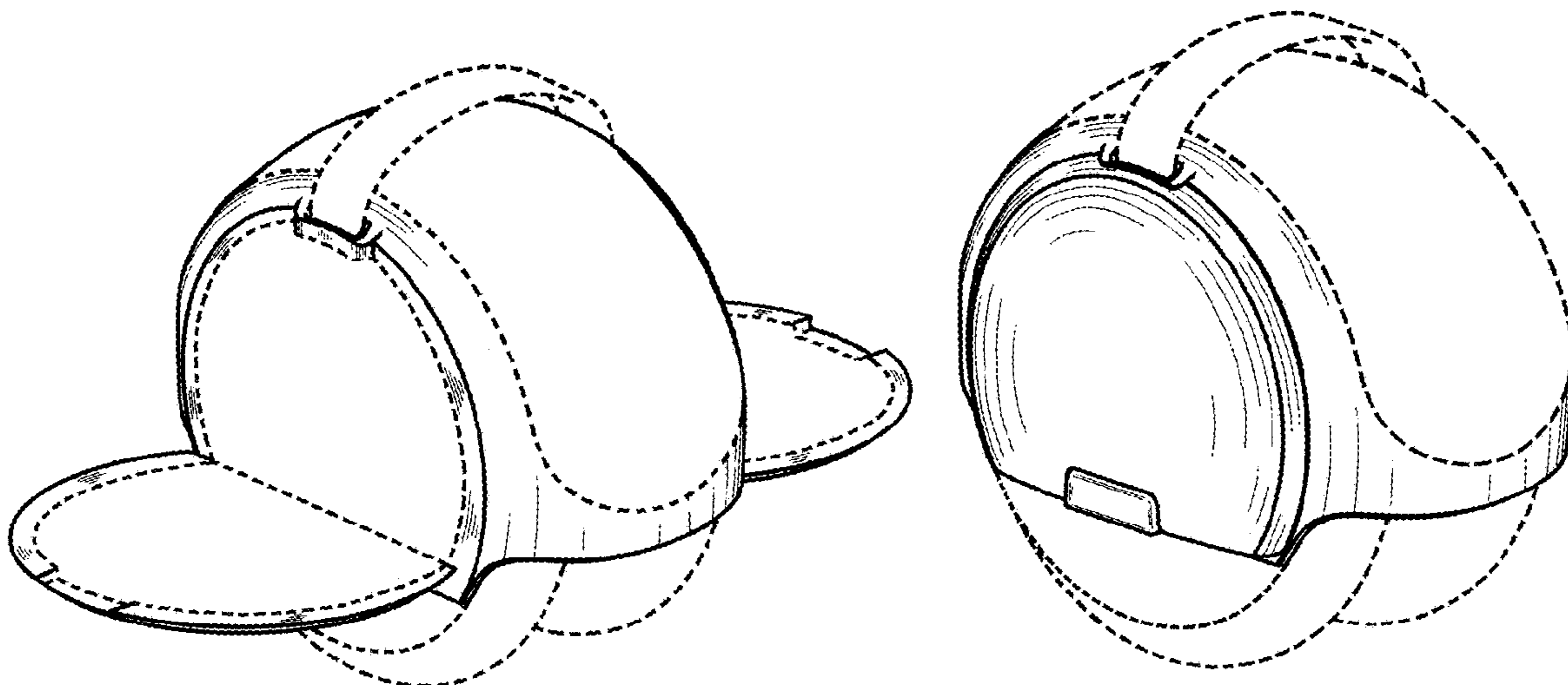
(57) **CLAIM**

I claim the ornamental design for a self-balancing transportation device, substantially as shown and described.

DESCRIPTION

FIG. 1 is a perspective view of an embodiment of a self-balancing transportation device with foot platforms unfolded into their in-use position in accordance with the present invention;
FIG. 2 is a top plan view thereof;
FIG. 3 is a left side elevation view thereof, the right side elevation view is identical thereto;
FIG. 4 is a front elevation view thereof;
FIG. 5 is bottom view thereof;
FIG. 6 is a perspective view of the device of FIG. 1 with the foot platforms folded into their stowage position in accordance with the present invention;
FIG. 7 is a top plan view of the device as arranged in FIG. 6;
FIG. 8 is bottom view of the device as arranged in FIG. 6;
FIG. 9 is a front elevation view of the device as arranged in FIG. 6;
FIG. 10 is a left side elevation view of the device as arranged in FIG. 6, the right side elevation view being identical thereto;
FIG. 11 is a top plan view of another embodiment of self-balancing transportation device with foot platforms unfolded into their in-use position in accordance with the present invention; and
FIG. 12 is a left side elevation view of the device of FIG. 11, the right side elevation view being identical thereto, and the front elevation and bottom views being identical as in FIGS. 4 and 5, respectively.
The broken lines in the figures depict the bounds of the claimed design and portions of the device that form no part of the claimed design.

1 Claim, 6 Drawing Sheets



(56)

References Cited

U.S. PATENT DOCUMENTS

2003/0227152 A1* 12/2003 Huang B62K 1/00
 280/205
 2011/0220427 A1* 9/2011 Chen B62K 1/00
 180/21
 2013/0228385 A1* 9/2013 Chen B62K 11/007
 180/6.5
 2015/0353157 A1* 12/2015 Huennekens B62K 13/06
 180/11
 2016/0185411 A1* 6/2016 Hadley B62K 1/00
 180/210
 2016/0339328 A1* 11/2016 Simeray A63C 17/0093
 2017/0008590 A1* 1/2017 Artemev B62K 3/002
 2017/0008593 A1* 1/2017 Artemev B60L 3/106
 2017/0008594 A1* 1/2017 Artemev B62K 1/00
 2017/0217526 A1* 8/2017 Zhang B60K 7/0007
 2017/0217529 A1* 8/2017 Chen B62K 11/007
 2017/0259162 A1* 9/2017 Mo A63C 17/12
 2017/0267306 A1* 9/2017 Chen B62K 11/007
 2017/0284531 A1* 10/2017 Chen B62J 23/00
 2017/0369118 A1* 12/2017 Dai B62K 3/002
 2018/0008881 A1* 1/2018 Mo A63C 17/12
 2018/0099720 A1* 4/2018 Chen B62K 11/007
 2018/0127045 A1* 5/2018 Artemev B62K 1/00
 2018/0154972 A1* 6/2018 Chen B62K 11/007
 2018/0215434 A1* 8/2018 Chen B62K 11/007
 2018/0257512 A1* 9/2018 Chen B60L 15/2036
 2018/0265159 A1* 9/2018 Artemev B62K 1/00
 2019/0047653 A1* 2/2019 Chen B62J 25/00

* cited by examiner

Fig. 1

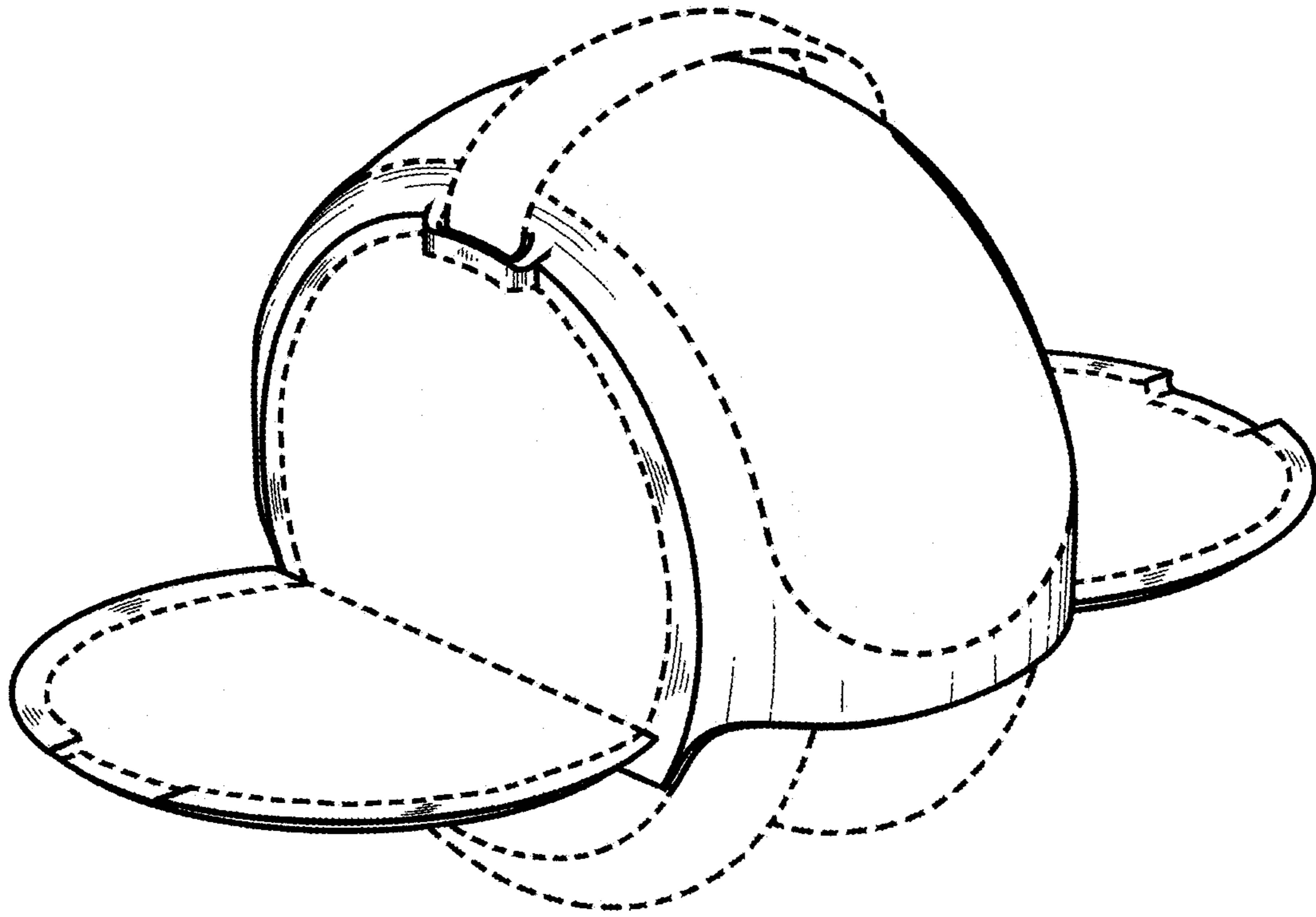


Fig. 2

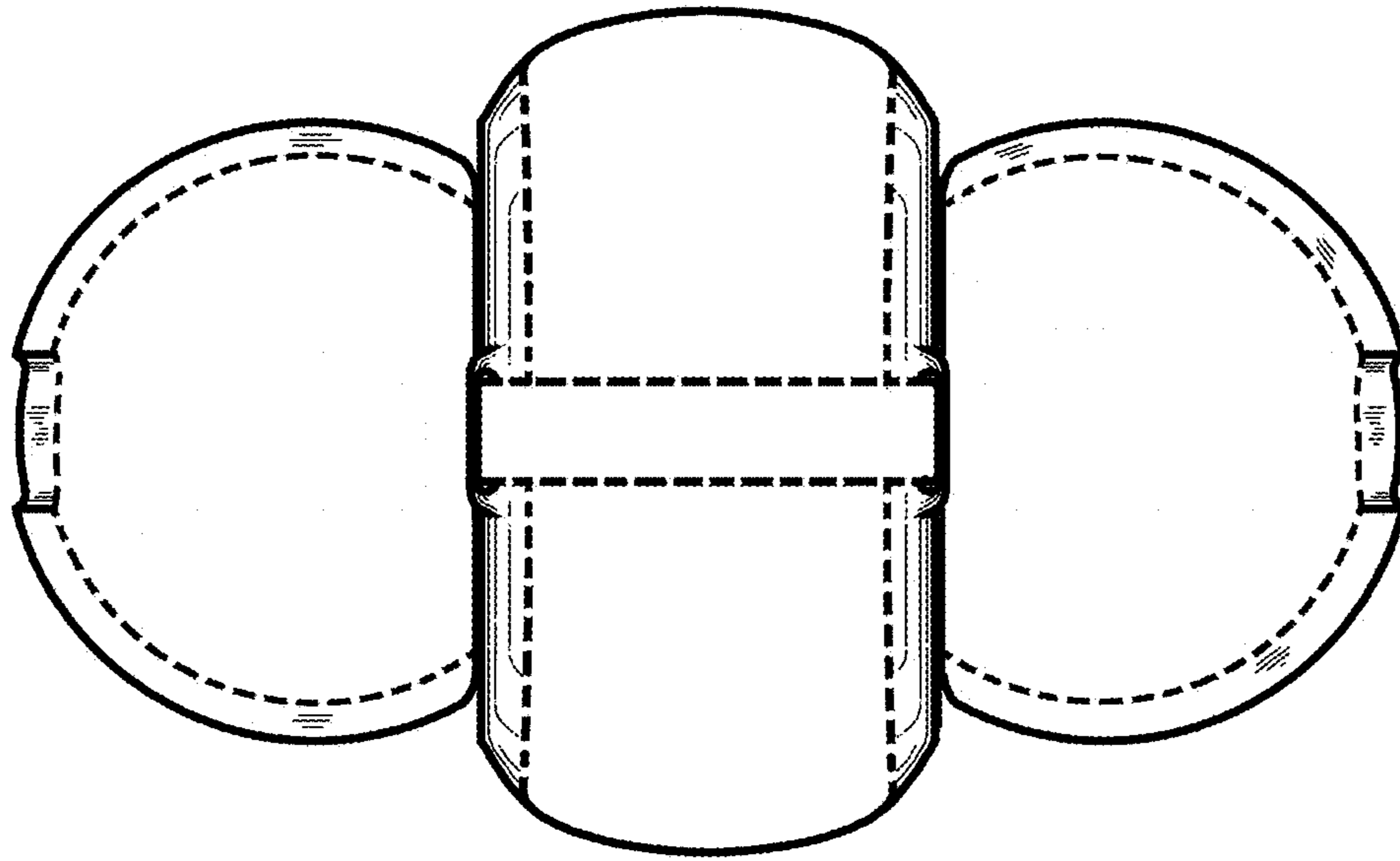


Fig. 3

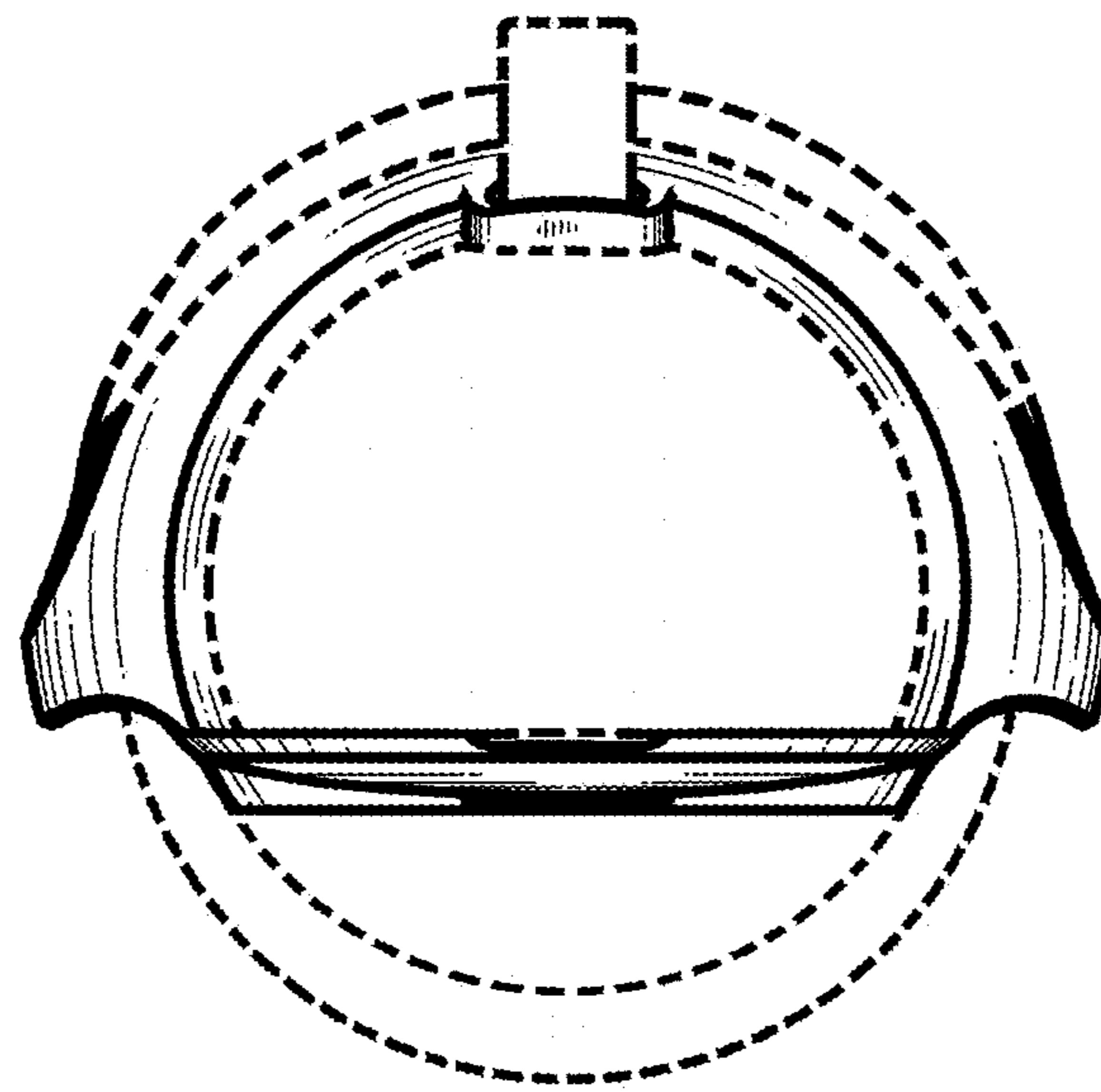


Fig. 4

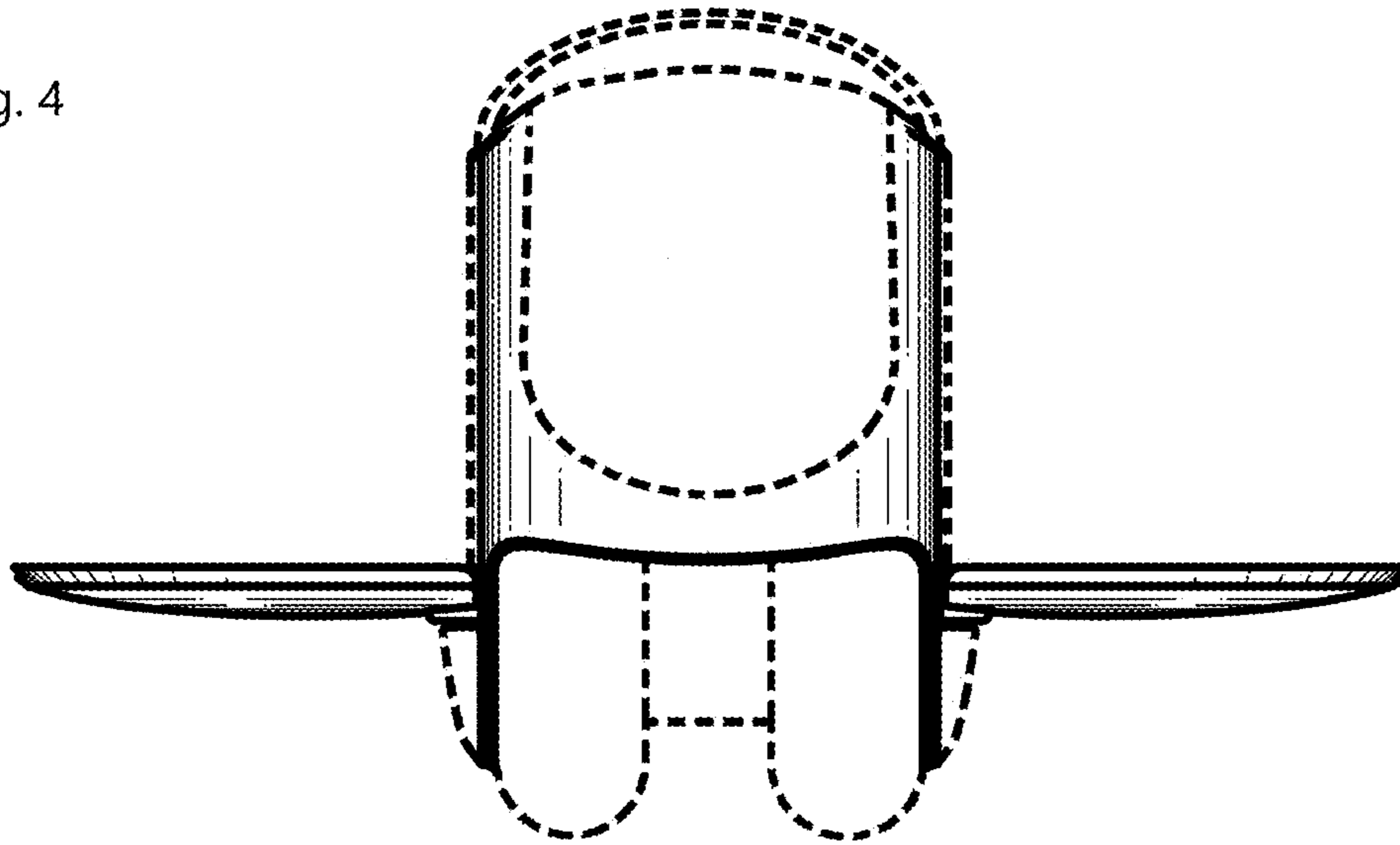


Fig. 5

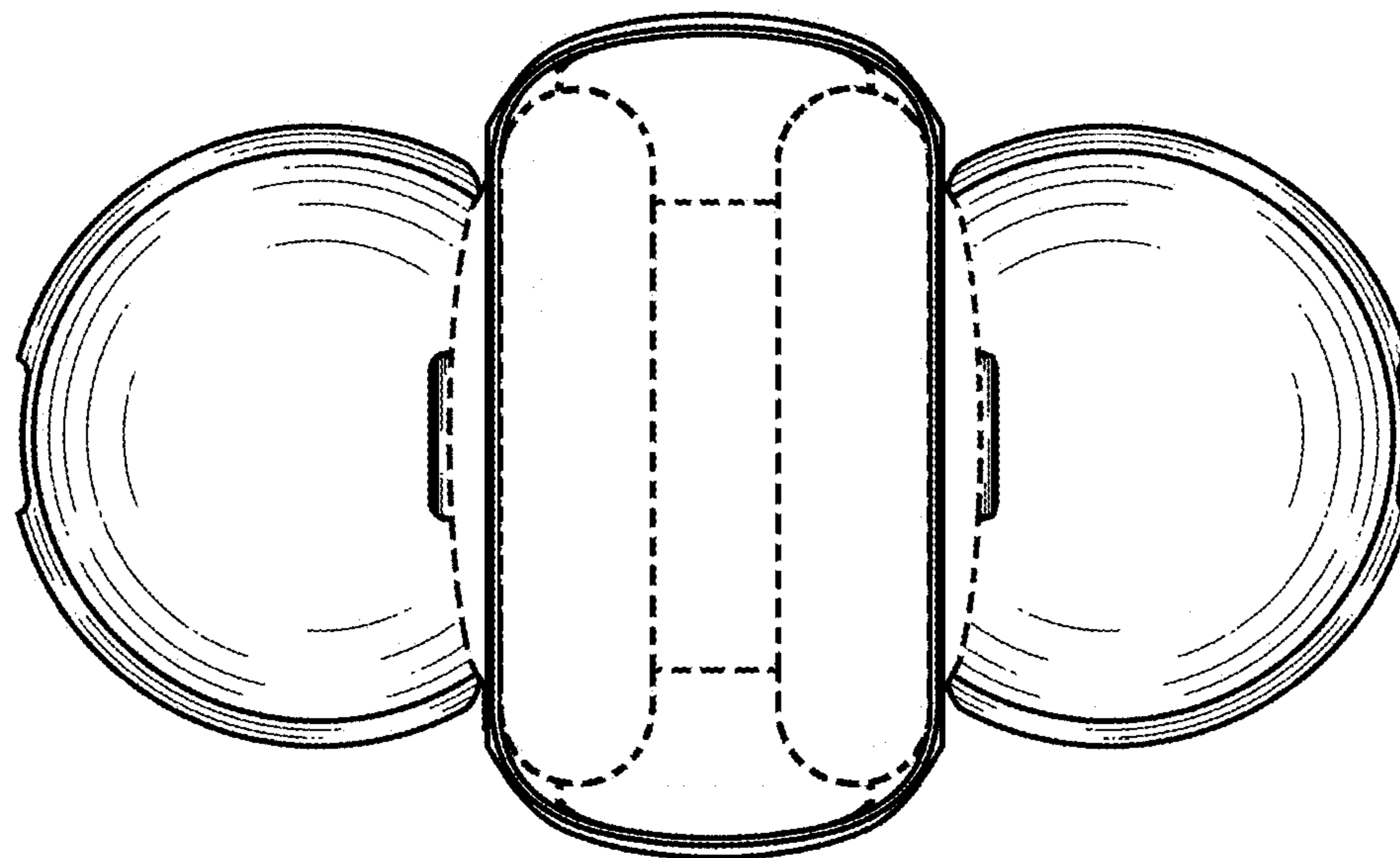


Fig. 6

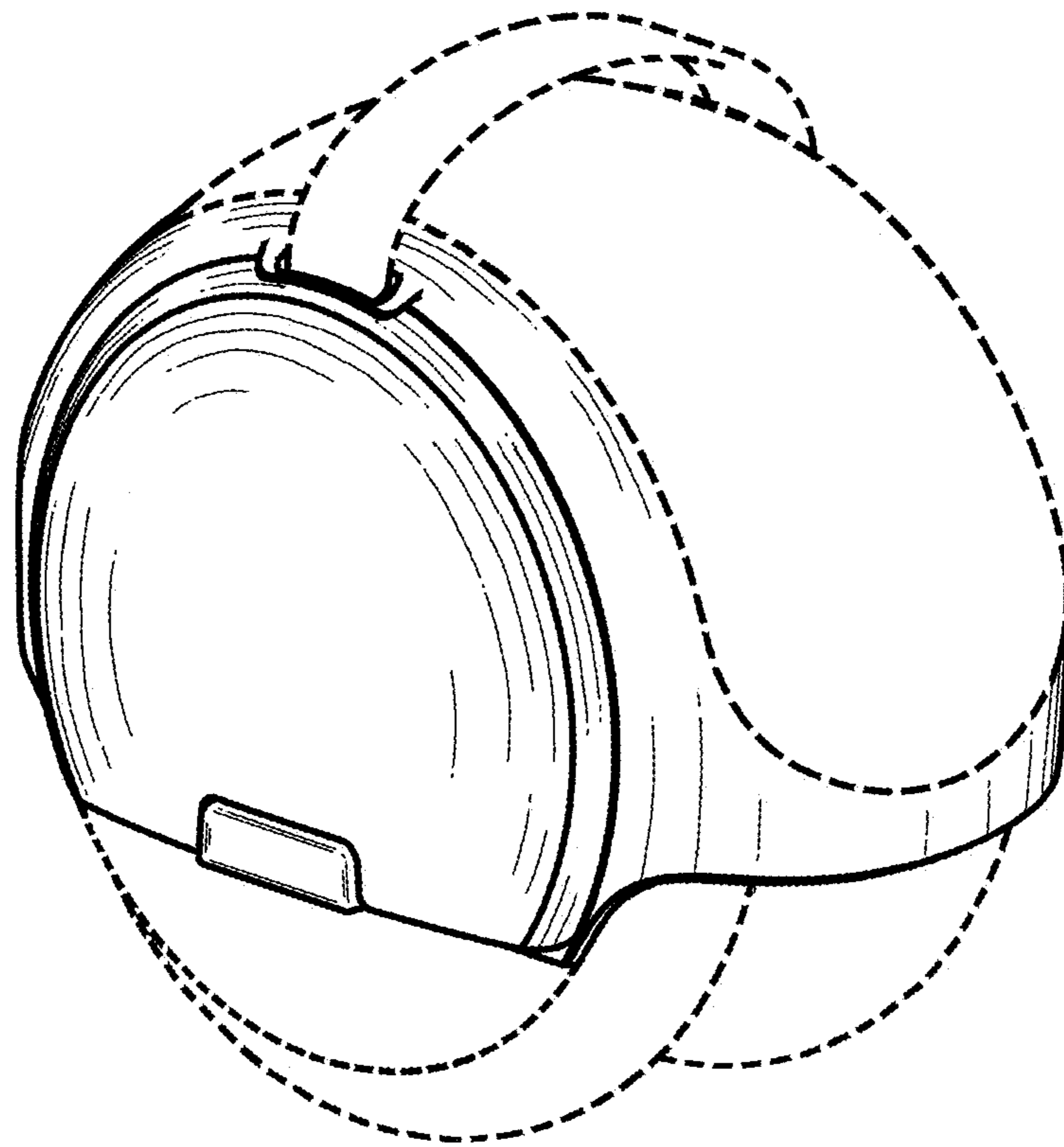


Fig. 7

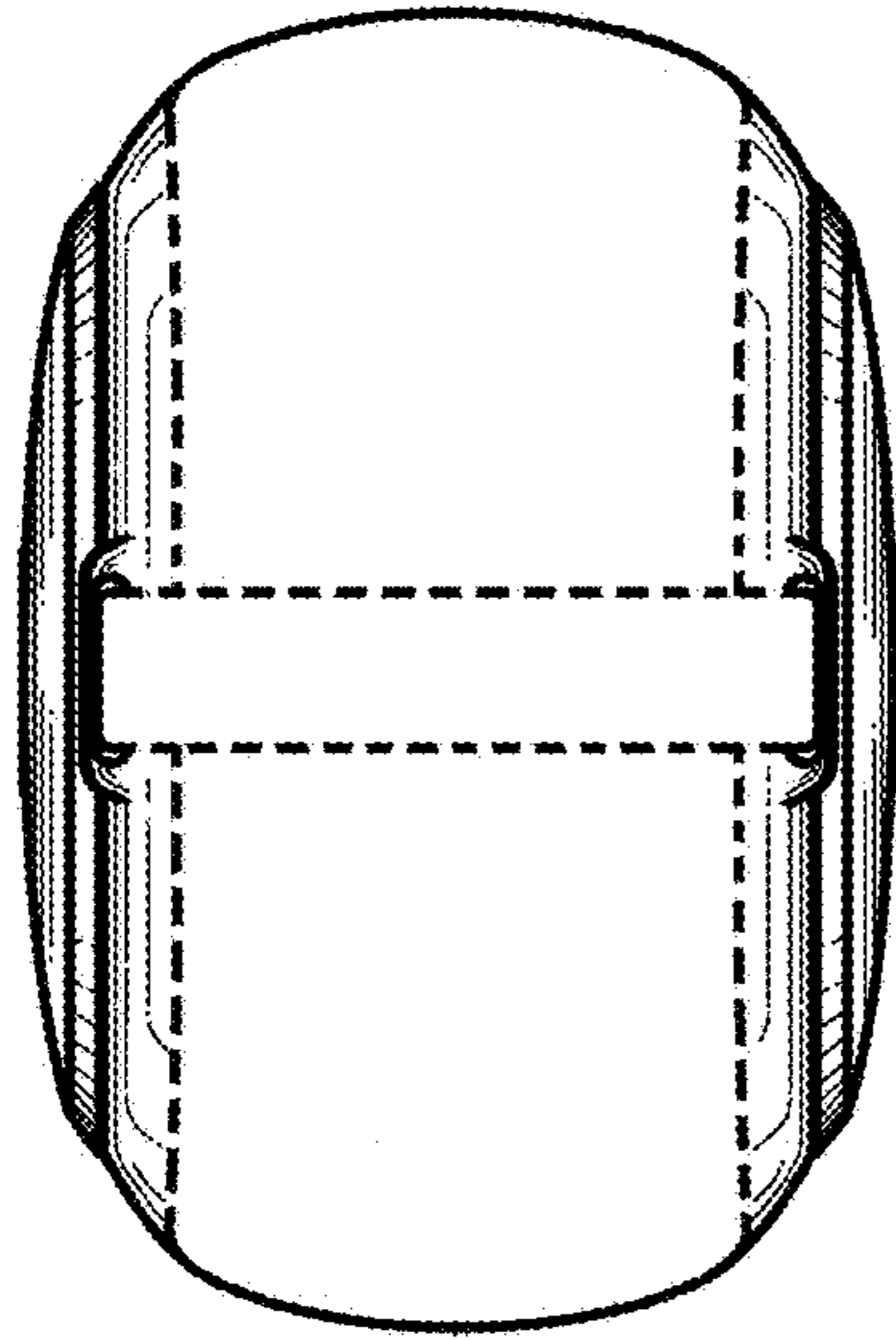


Fig. 8

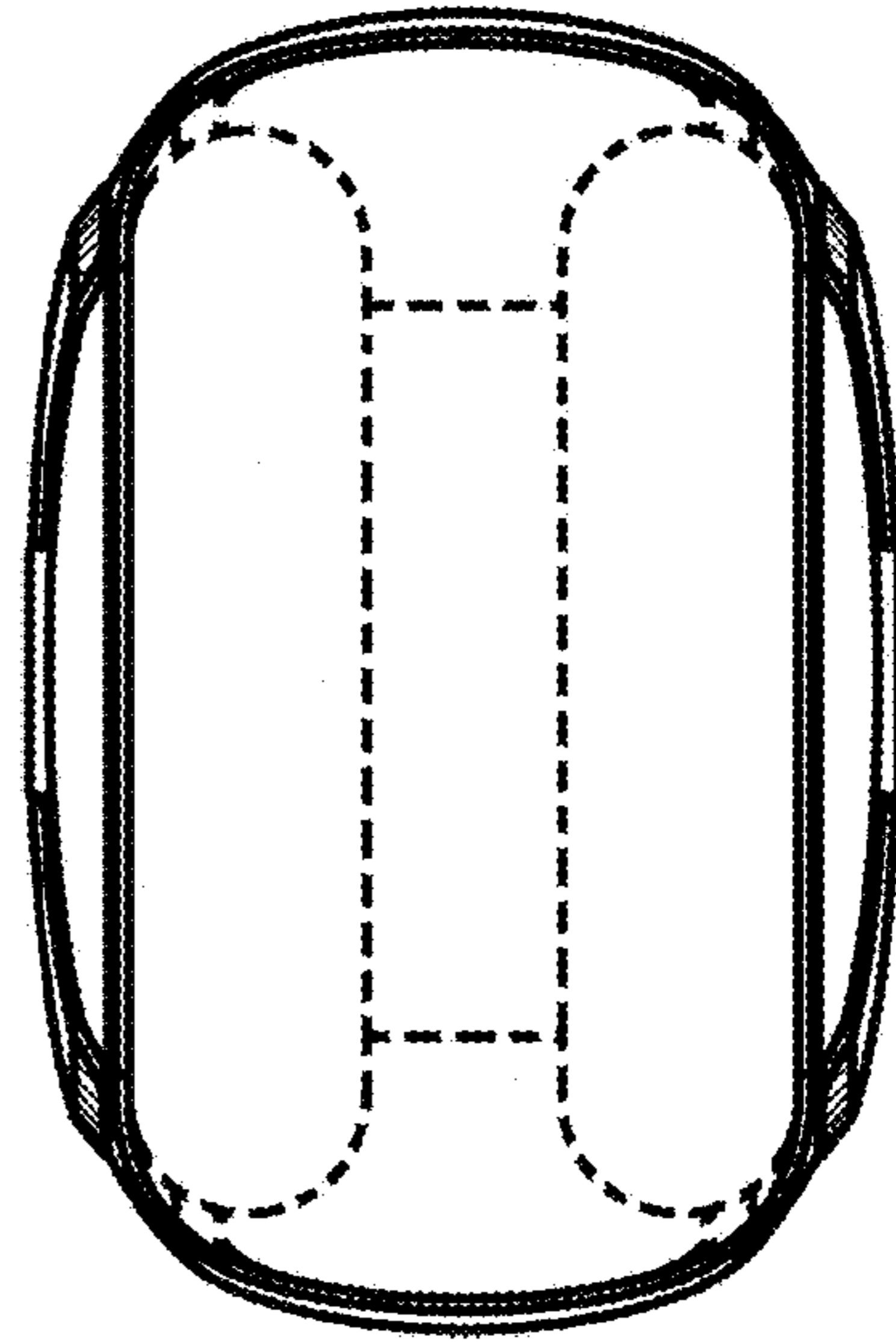


Fig. 9

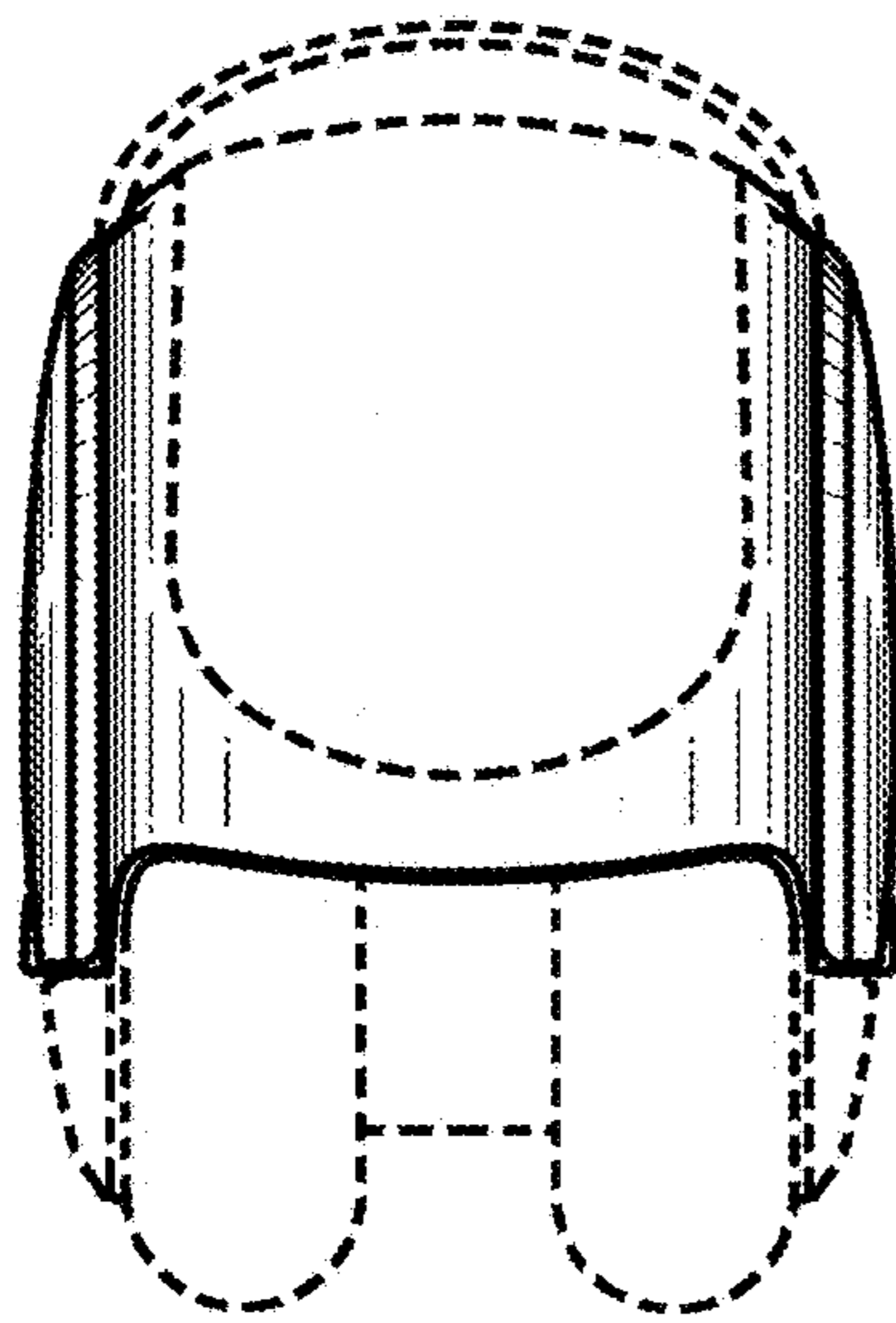


Fig. 10

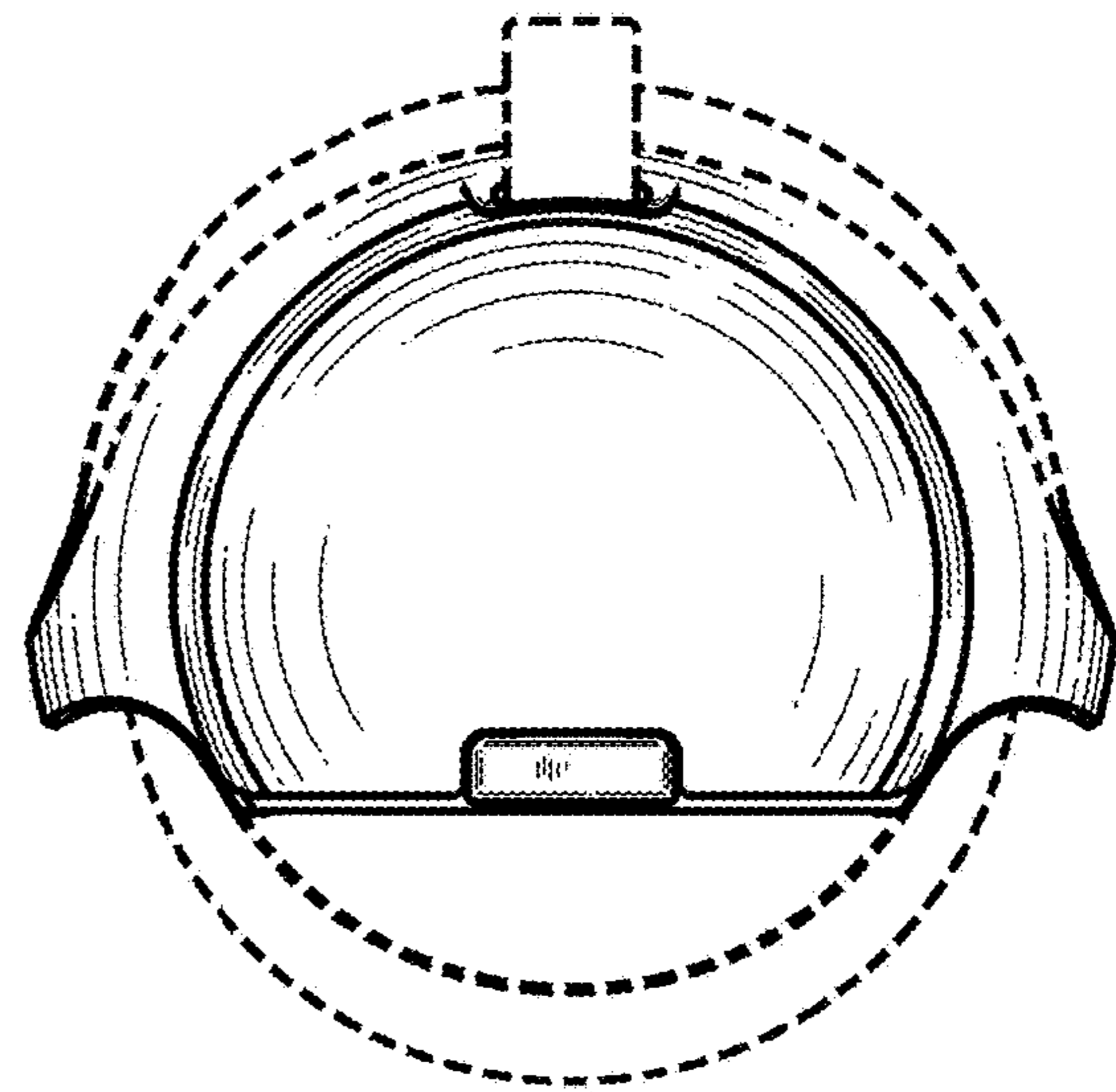


Fig. 11

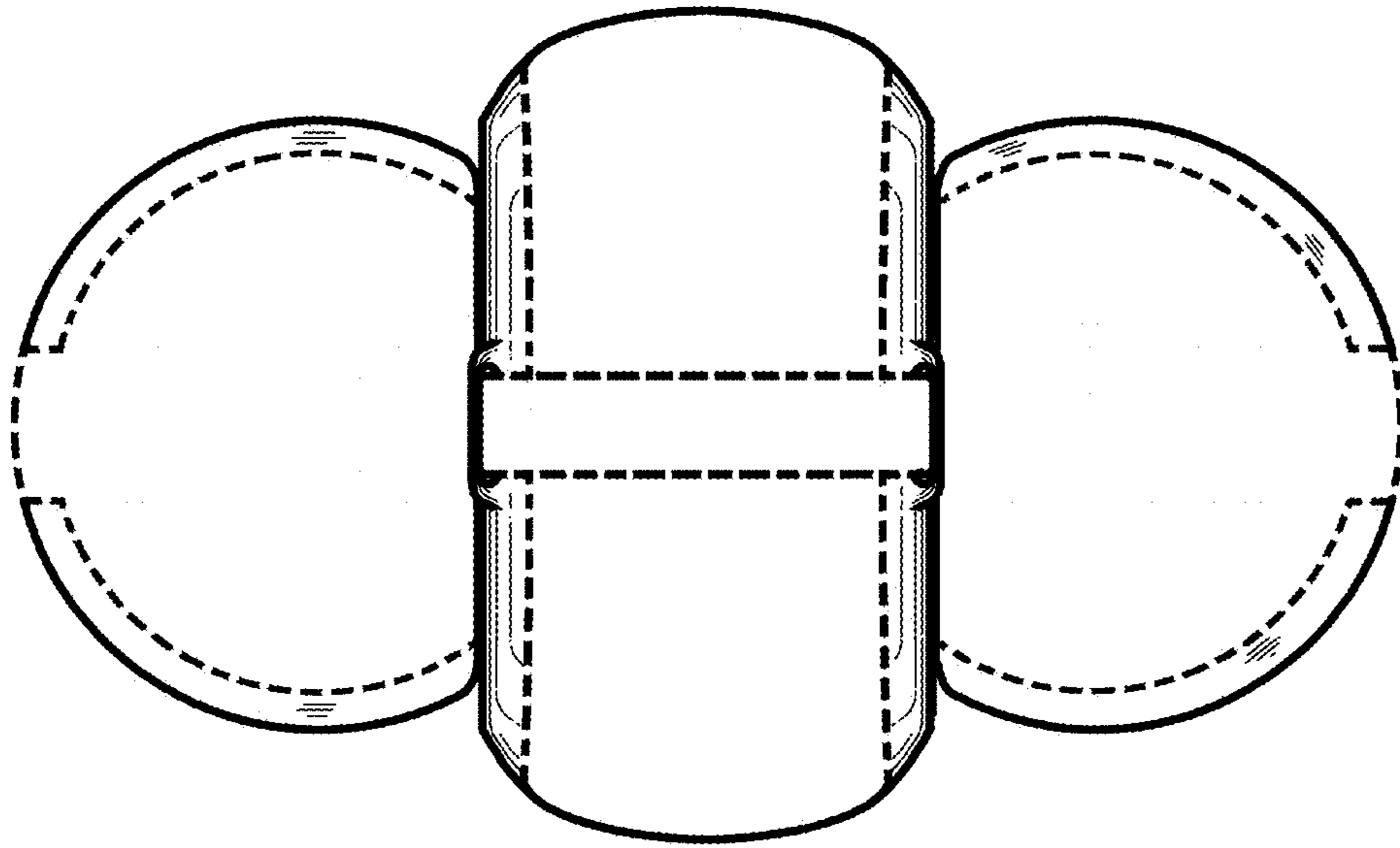


Fig. 12

