



US00D873705S

(12) **United States Design Patent**
Horn et al.

(10) **Patent No.:** **US D873,705 S**

(45) **Date of Patent:** **** Jan. 28, 2020**

(54) **CENTERPIECE**

(71) Applicant: **Monica Horn**, North Bellmore, NY (US)

(72) Inventors: **Monica Horn**, North Bellmore, NY (US); **Lance Horn**, North Bellmore, NY (US)

(**) Term: **15 Years**

(21) Appl. No.: **29/659,499**

(22) Filed: **Aug. 9, 2018**

Related U.S. Application Data

(63) Continuation of application No. 16/010,140, filed on Jun. 15, 2018.

(51) **LOC (12) Cl.** **11-02**

(52) **U.S. Cl.**
USPC **D11/147**

(58) **Field of Classification Search**

USPC D3/304; D6/403-405, 556-558, 512, D6/672, 675, 675.1, 717; D7/640, 641; D9/500, 549, 428; D11/143-156, 164
CPC A01G 9/02; A01G 9/021; A01G 9/022; A01G 9/025; A01G 9/026; A01G 9/028; A01G 9/029; A01G 9/0291; A01G 9/0293; A01G 9/0295; A01G 9/0297; A01G 9/0299; A01G 9/04; A01G 9/045
See application file for complete search history.

(56) **References Cited**

U.S. PATENT DOCUMENTS

D48,166 S * 11/1915 Bennett 131/256
D132,560 S * 5/1942 Sawyer D11/153
D192,175 S * 2/1962 Trombley D7/584
3,158,524 A * 11/1964 Tong A41G 1/00
206/423
D208,097 S * 7/1967 Henn D7/558

D218,341 S * 8/1970 Giannotti D11/147
D219,052 S * 10/1970 Gulotta D7/584
D224,516 S * 8/1972 Amberg D9/500
D244,338 S * 5/1977 Yauger D7/584
D260,134 S * 8/1981 Bercu D11/153
4,532,722 A * 8/1985 Sax D06F 58/203
206/0.5
4,600,612 A * 7/1986 Litwin A41G 1/00
156/63
4,606,950 A * 8/1986 Corbet A01G 5/04
156/63
4,937,109 A * 6/1990 Lin A01G 5/04
248/27.8

(Continued)

Primary Examiner — Elizabeth A. Albert

(74) *Attorney, Agent, or Firm* — The Law Office of Daniel T. Weglarz, P.C.

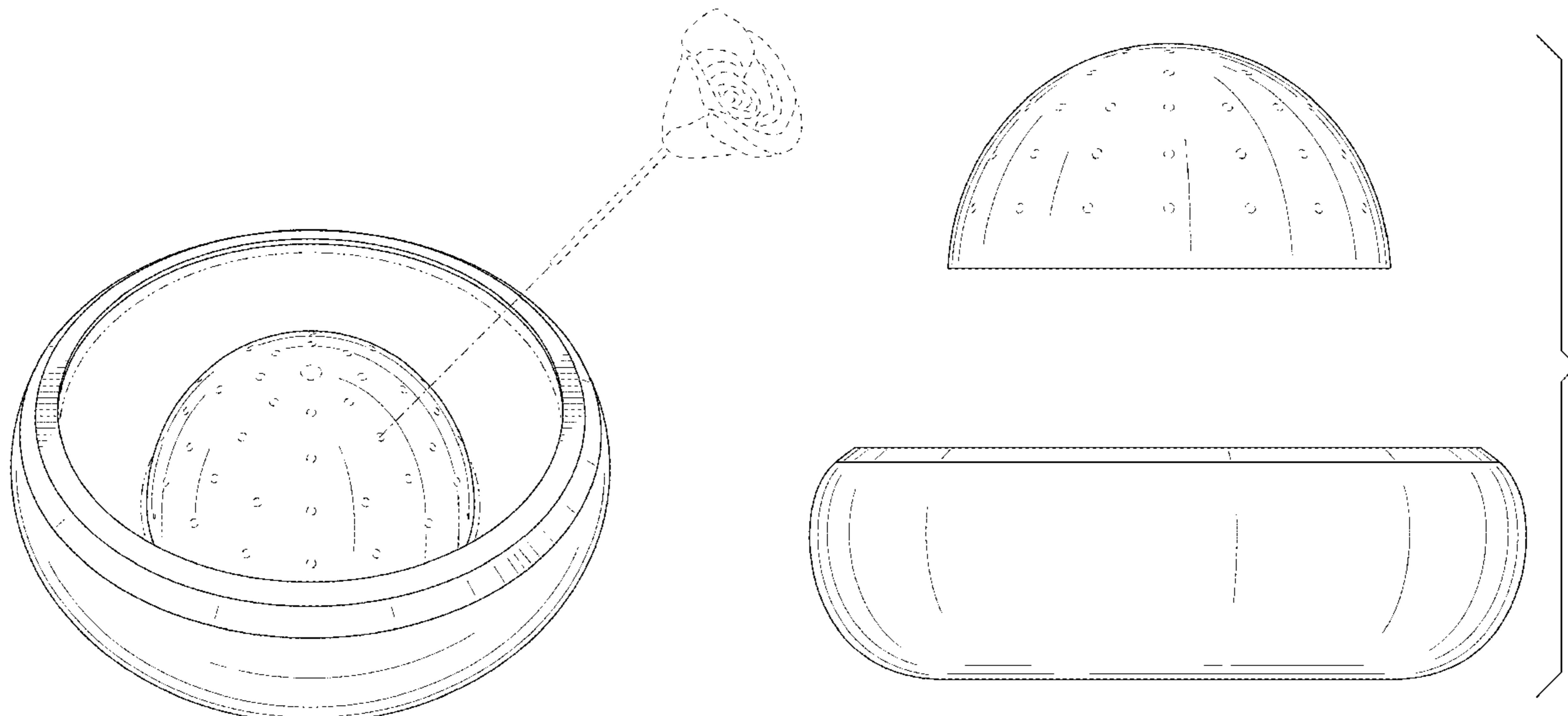
(57) **CLAIM**

The ornamental design for a centerpiece, as shown and described.

DESCRIPTION

FIG. 1 is a front top perspective view of a centerpiece showing our new design;
FIG. 2 is another front top perspective view thereof;
FIG. 3 is a rear top perspective view thereof;
FIG. 4 is a top plan view thereof;
FIG. 5 is a bottom plan view thereof;
FIG. 6 is a side elevation view thereof, the other three side views being identical; and,
FIG. 7 is an exploded side elevation view thereof, the other three side views being identical.
The evenly spaced broken lines in the drawings are included for the purpose of showing features that form no part of the claimed design. The long and two short broken lines define the bounds of the claimed design and form no part thereof. The long and one short broken lines represent that the flower stem is exploded from the holder.

1 Claim, 7 Drawing Sheets



(56)

References Cited

U.S. PATENT DOCUMENTS

D353,064 S * 12/1994 Gilbert D1/105
5,768,917 A * 6/1998 Freida D06F 39/024
206/0.5
D478,253 S * 8/2003 Maier-Aichen D7/584
D536,081 S * 1/2007 Steinel D23/366
D542,705 S * 5/2007 Peterson D11/147
D612,473 S * 3/2010 Valentino D23/366
D801,312 S * 10/2017 Birger H04R 1/1016
D14/223
D810,198 S * 2/2018 Azar D19/90
D832,264 S * 10/2018 Kim D14/434
D844,009 S * 3/2019 Kim D14/434

* cited by examiner

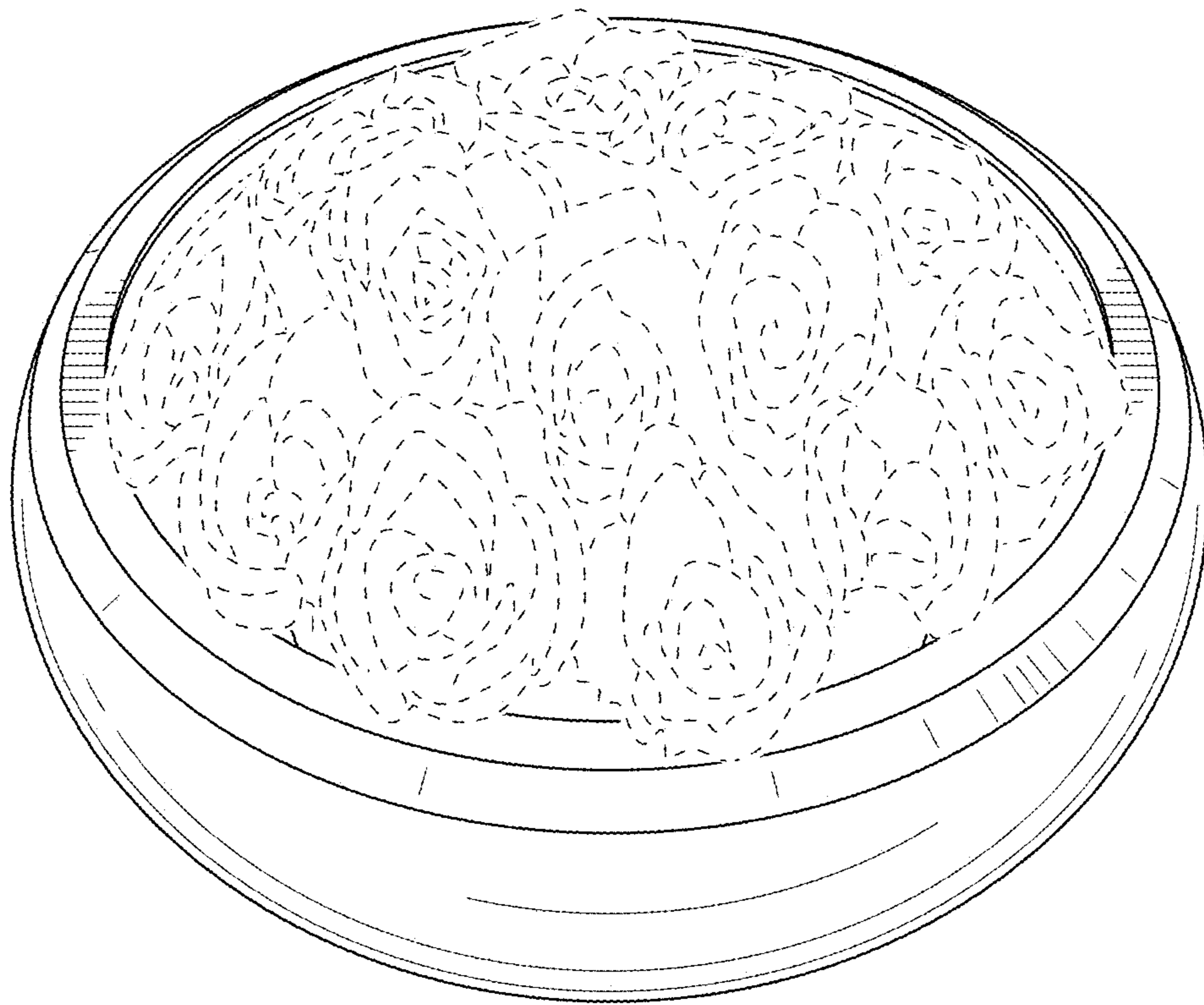


FIG. 1

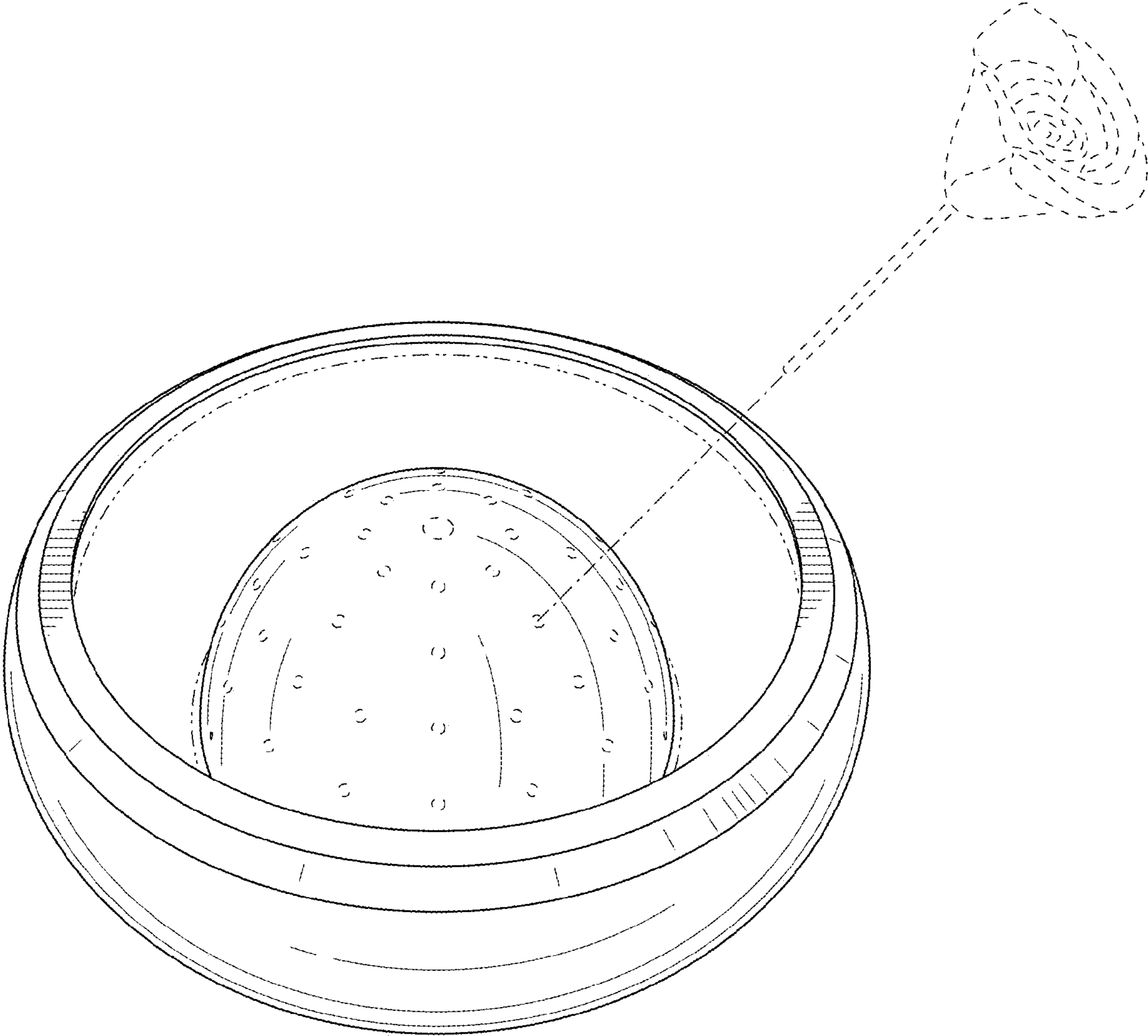


FIG. 2

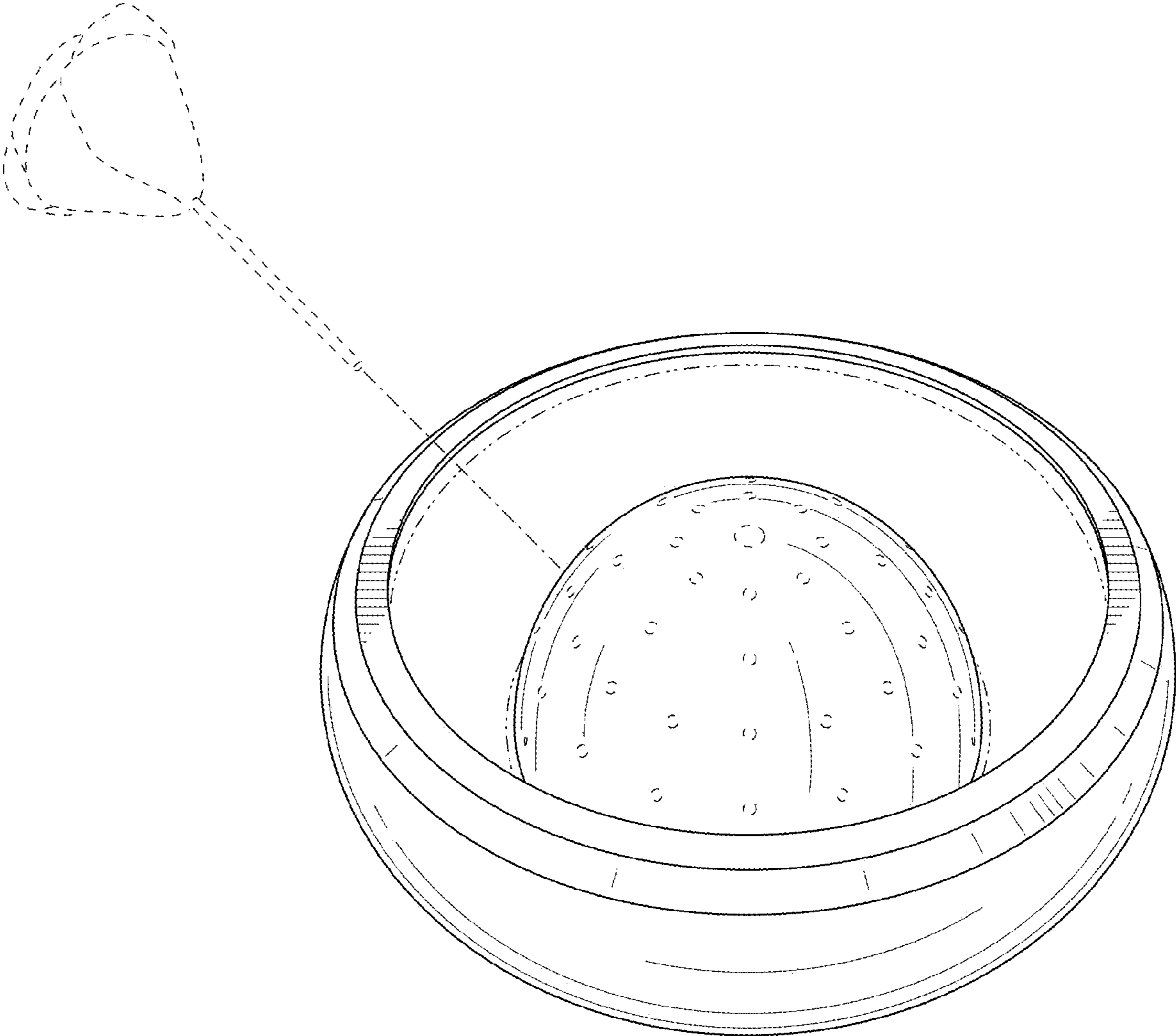


FIG. 3

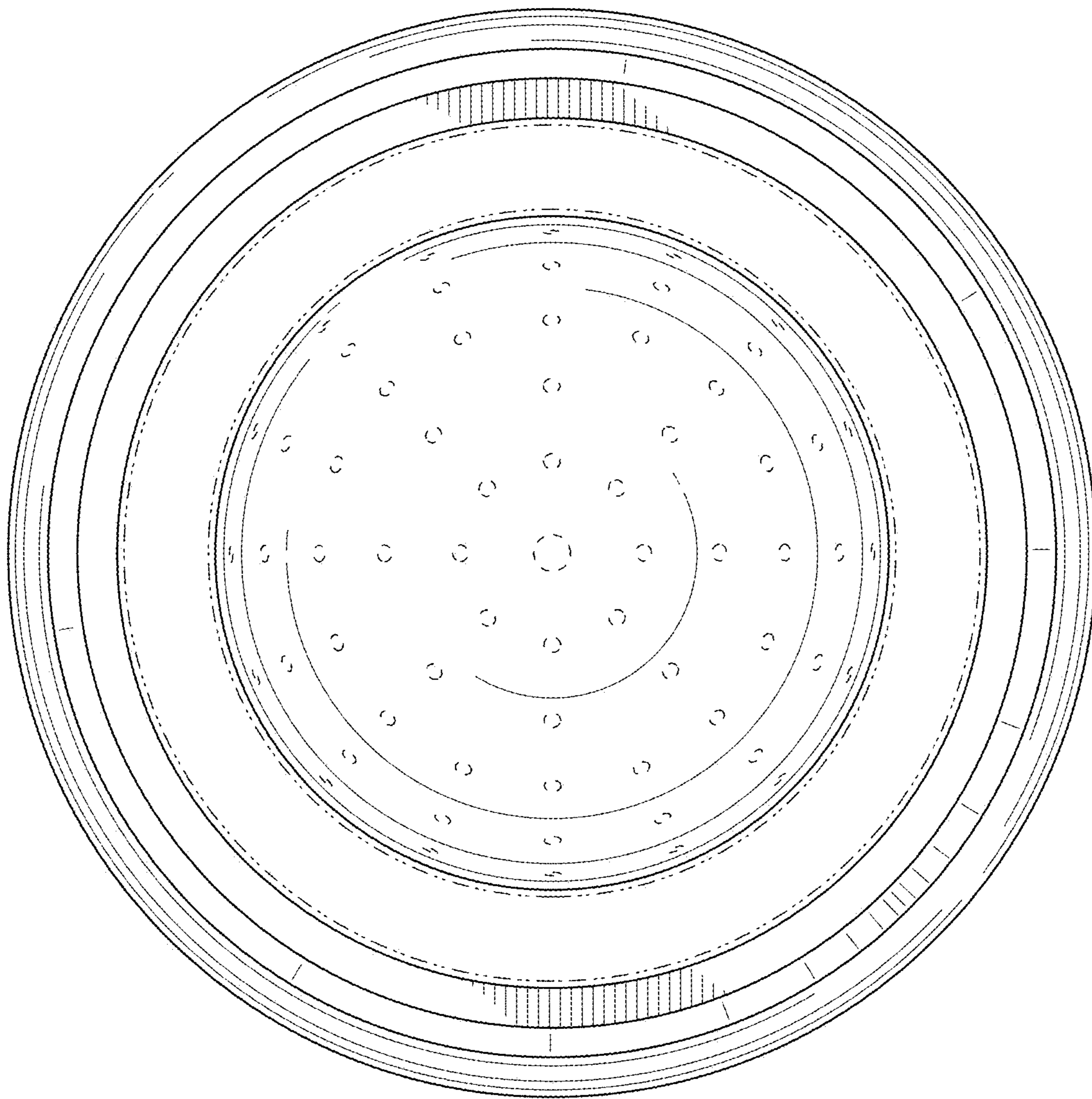


FIG. 4

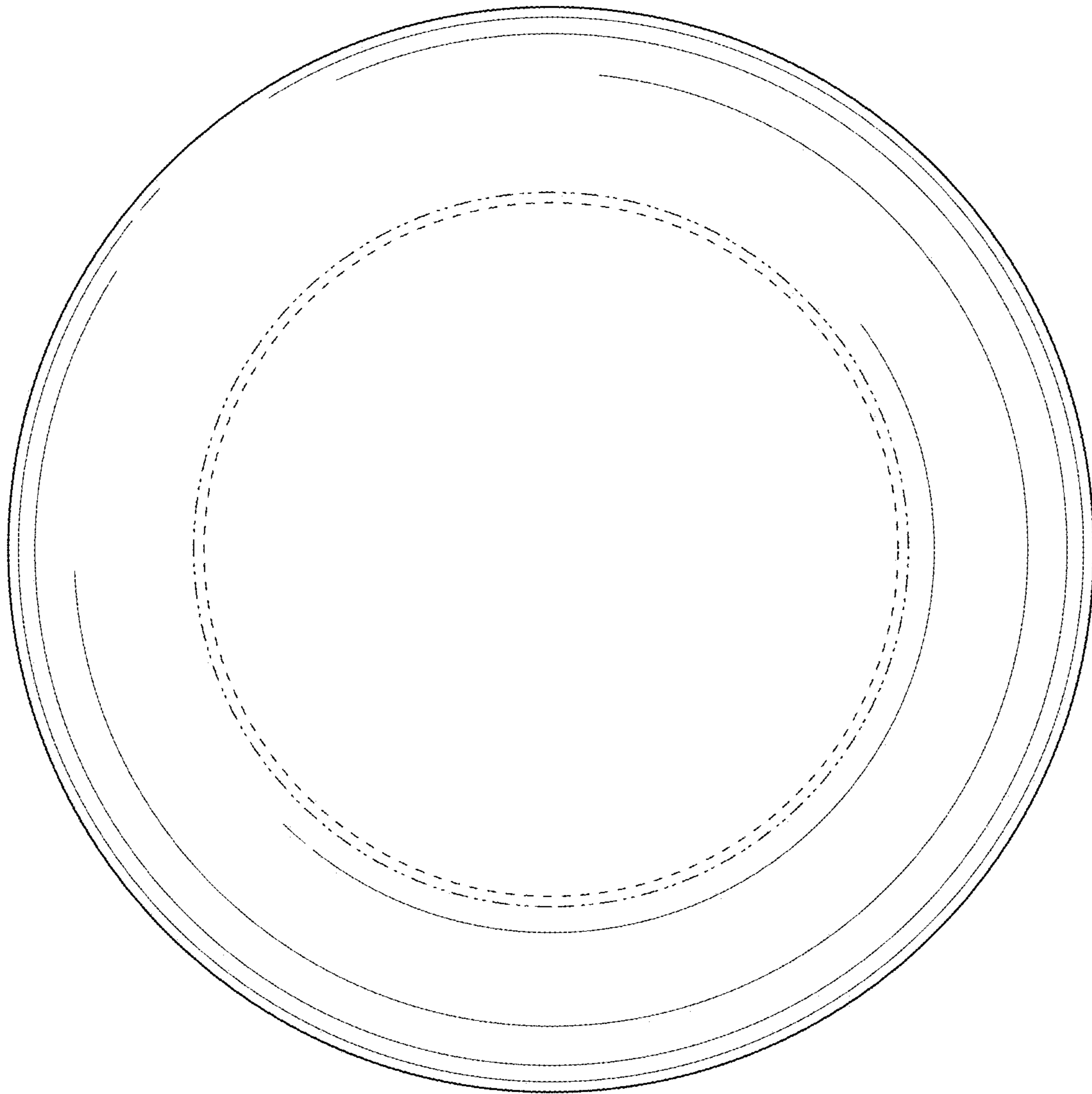


FIG. 5

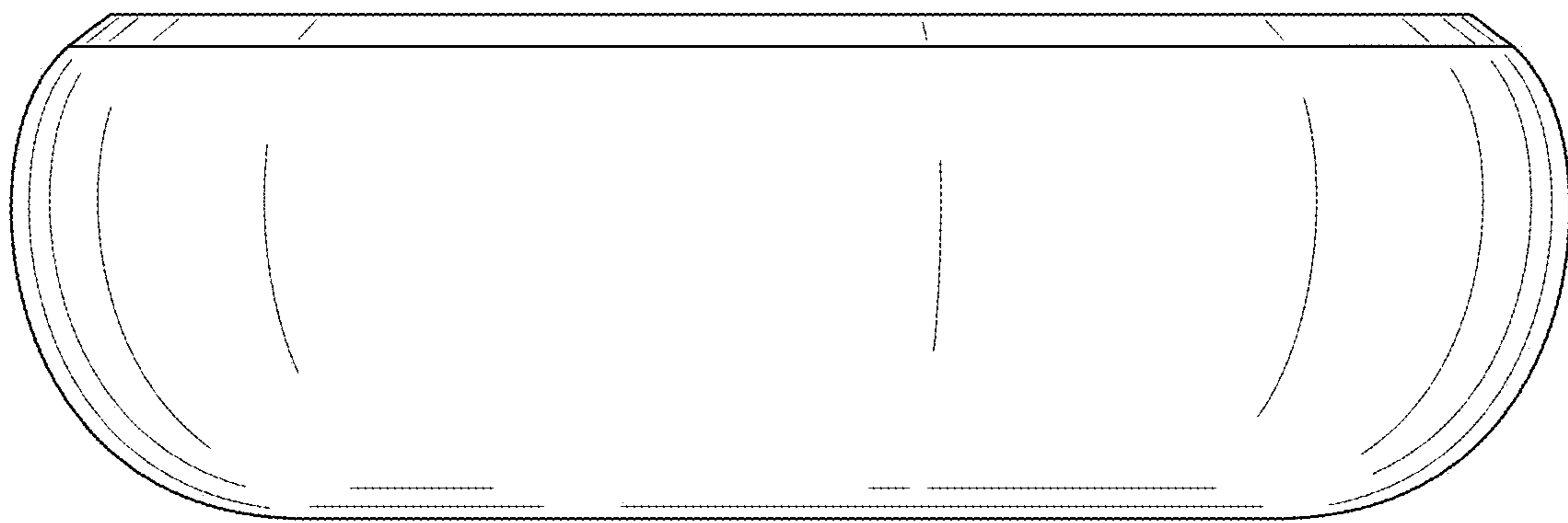


FIG. 6

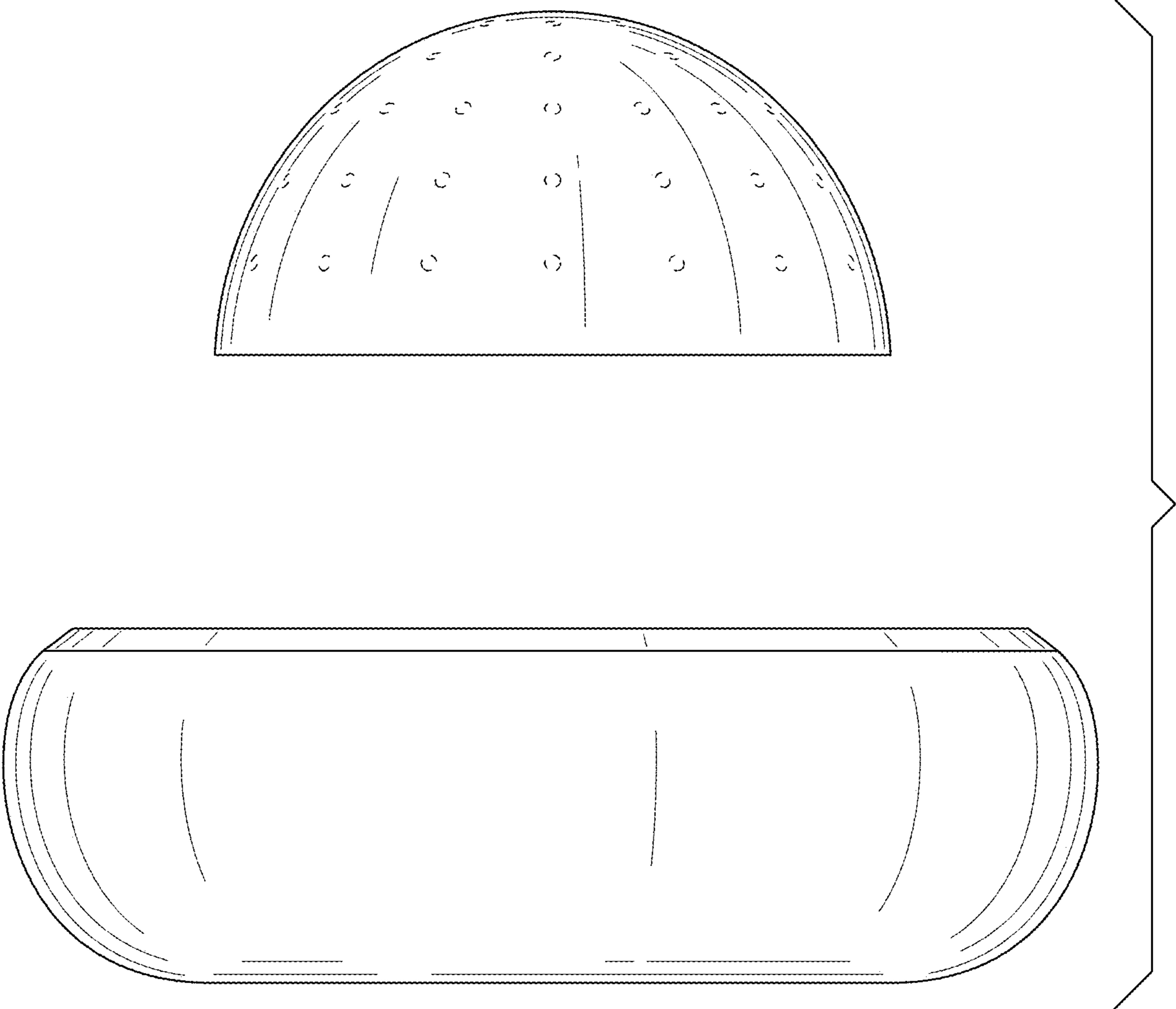


FIG. 7