



US00D873703S

(12) **United States Design Patent**
Borsari

(10) **Patent No.:** **US D873,703 S**
(45) **Date of Patent:** **** Jan. 28, 2020**

(54) **JEWELRY CLAW FOR TENNIS BRACELET
OR SETTING FOR GEMSTONE**

(71) Applicant: **Giampiero Borsari**, Diano Marino (IT)

(72) Inventor: **Giampiero Borsari**, Diano Marino (IT)

(**) Term: **15 Years**

(21) Appl. No.: **29/648,910**

(22) Filed: **May 24, 2018**

(51) **LOC (12) Cl.** **11-01**

(52) **U.S. Cl.**
USPC **D11/86**

(58) **Field of Classification Search**
USPC D11/1-25, 86, 87, 93, 94
CPC .. A44C 5/00; A44C 5/02; A44C 17/02; A44C
17/046

See application file for complete search history.

(56) **References Cited**

U.S. PATENT DOCUMENTS

3,724,204 A * 4/1973 Frederick A44C 5/102
59/80
6,094,939 A * 8/2000 Gavello A44C 17/02
59/79.1

6,810,685 B2 * 11/2004 Esposito, Jr. A44C 5/208
63/15.3
7,354,330 B2 * 4/2008 Bentley, Jr. A44C 13/00
446/102
7,607,320 B2 * 10/2009 Perle A44C 13/00
59/85
8,156,759 B2 * 4/2012 Nevatia A44C 5/102
59/80
D762,514 S * 8/2016 Amfitheatrof D11/94

* cited by examiner

Primary Examiner — Zenia I Bennett

(74) *Attorney, Agent, or Firm* — David B. Tingey; Bryant
J. Keller; Kirton McConkie

(57) **CLAIM**

The ornamental design for a jewelry claw for tennis bracelet
or setting for gemstone, as shown and described.

DESCRIPTION

FIG. 1 is a side perspective view of the jewelry claw for
tennis bracelet or setting for gemstone of the present inven-
tion;

FIG. 2 is an opposite side perspective view thereof;

FIG. 3 is a side elevation view thereof;

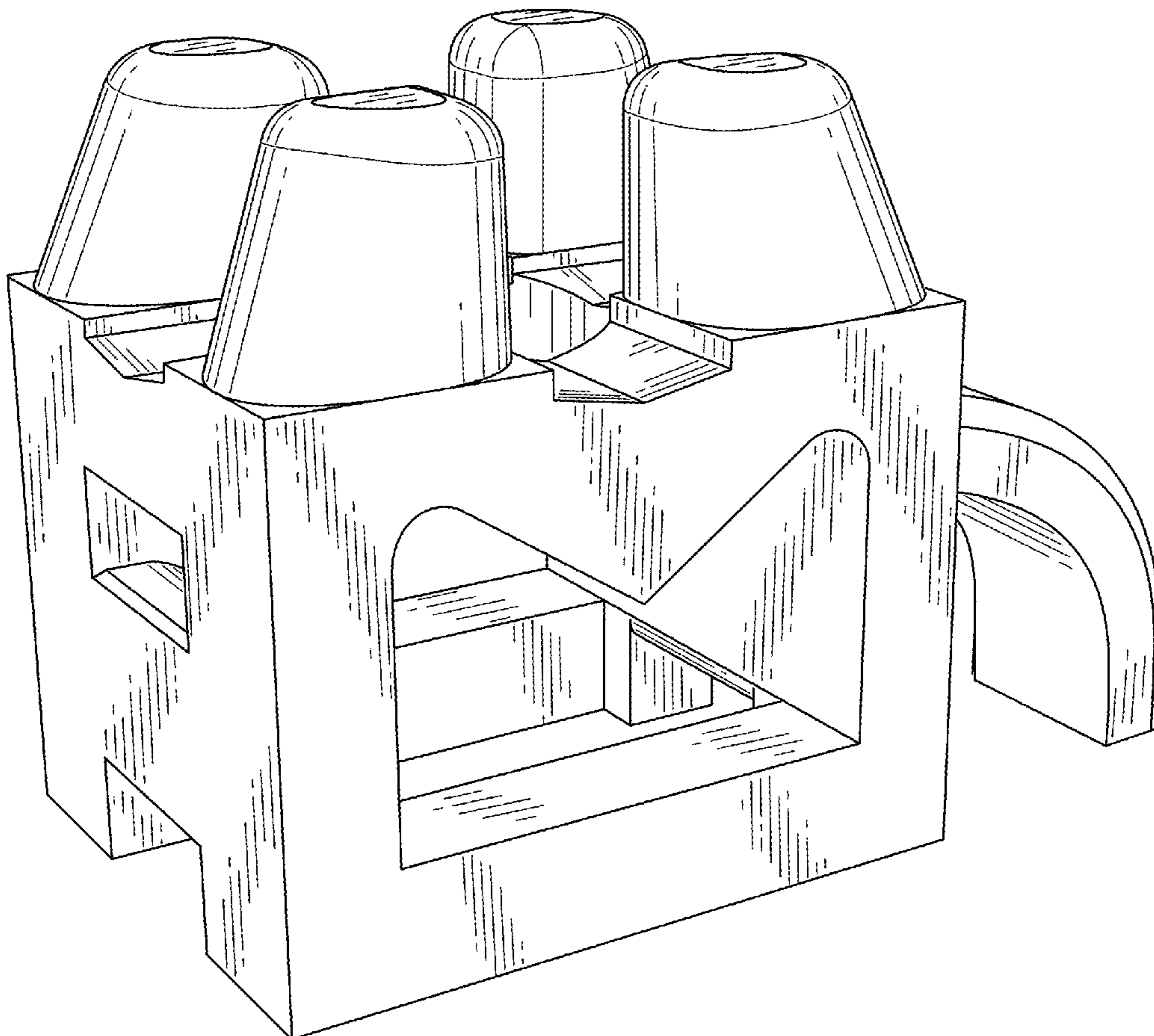
FIG. 4 is a front elevation view thereof;

FIG. 5 is a rear elevation view thereof;

FIG. 6 is a top plan view thereof; and,

FIG. 7 is a bottom plan view thereof.

1 Claim, 7 Drawing Sheets



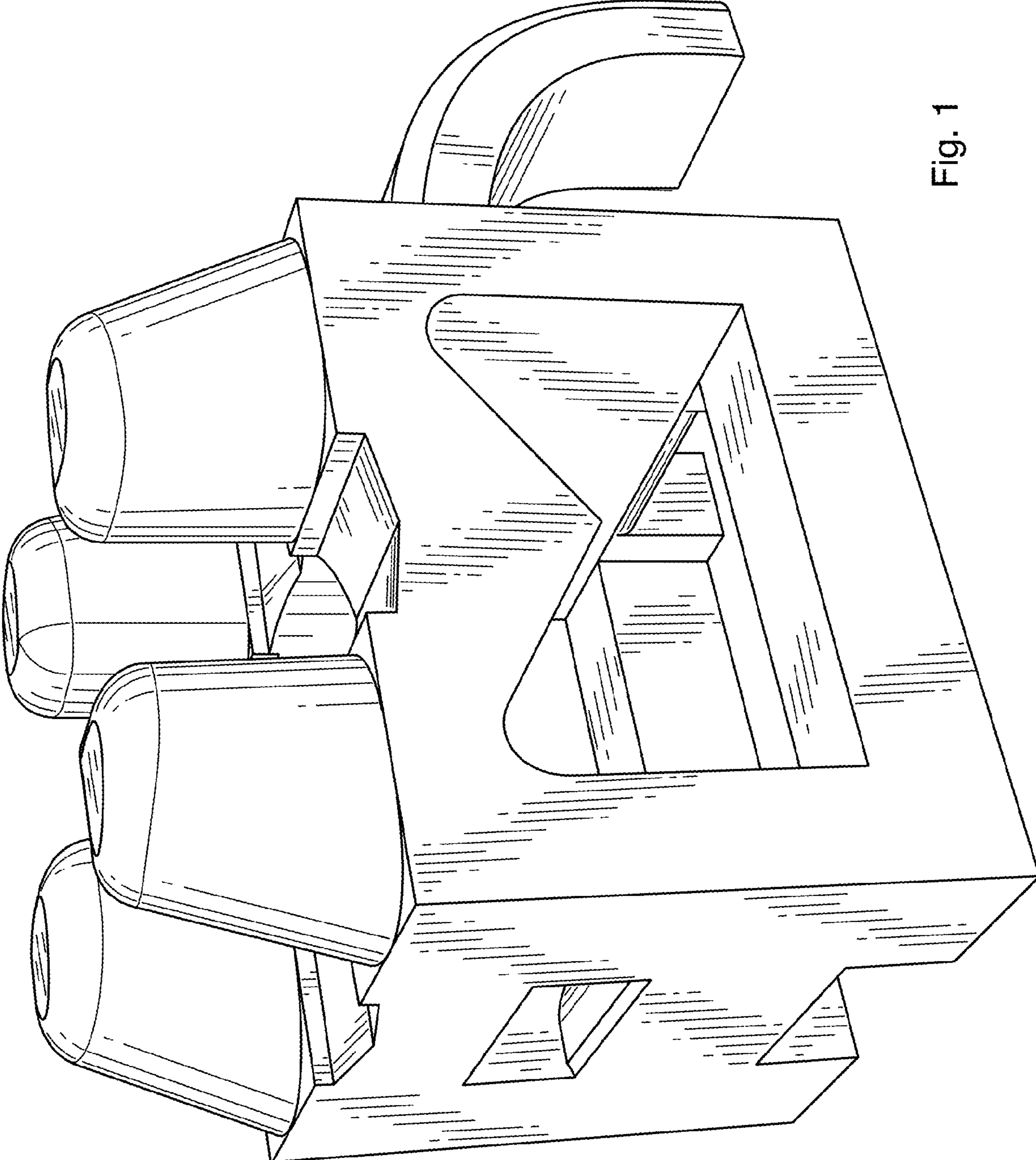


Fig. 1

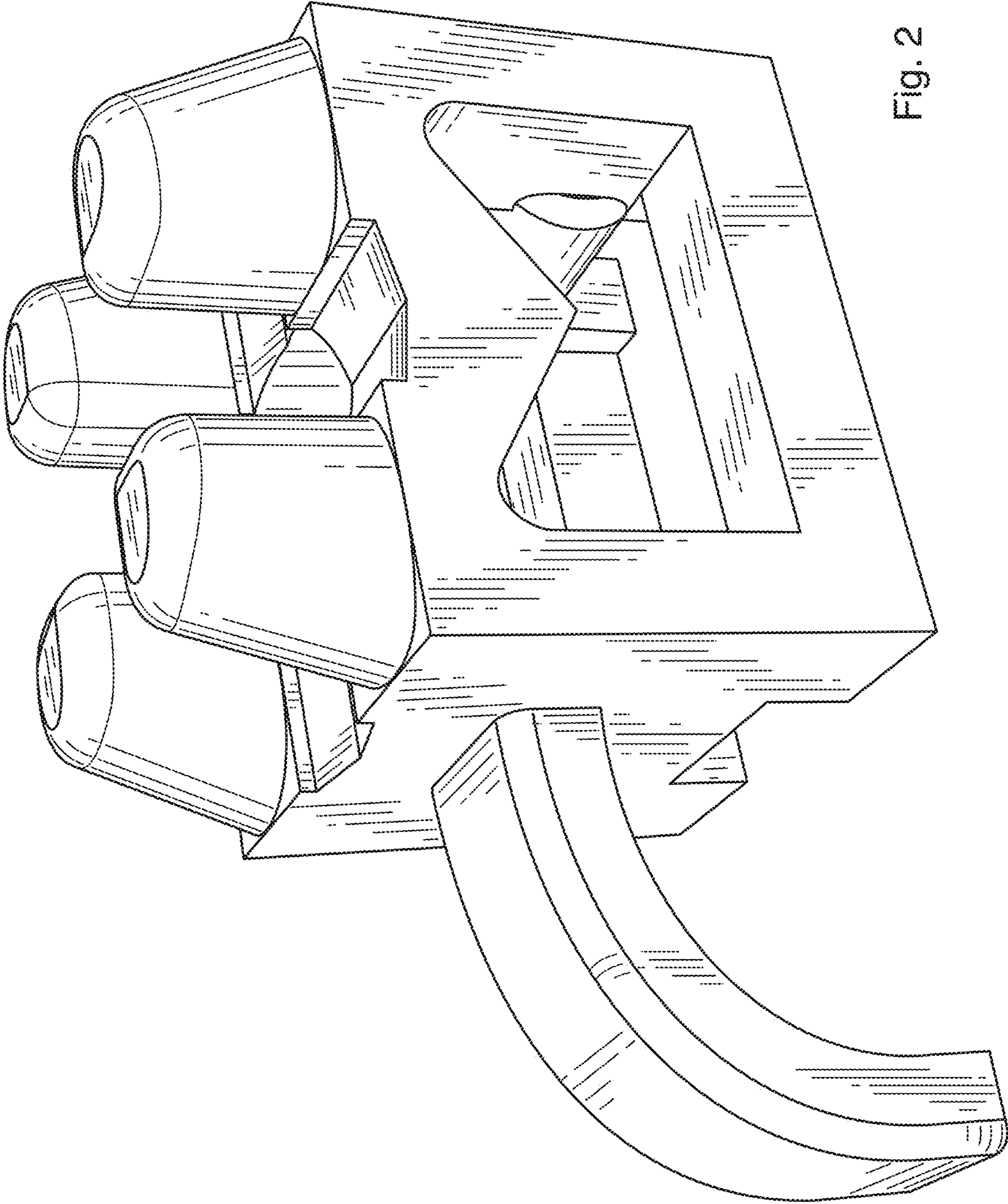


Fig. 2

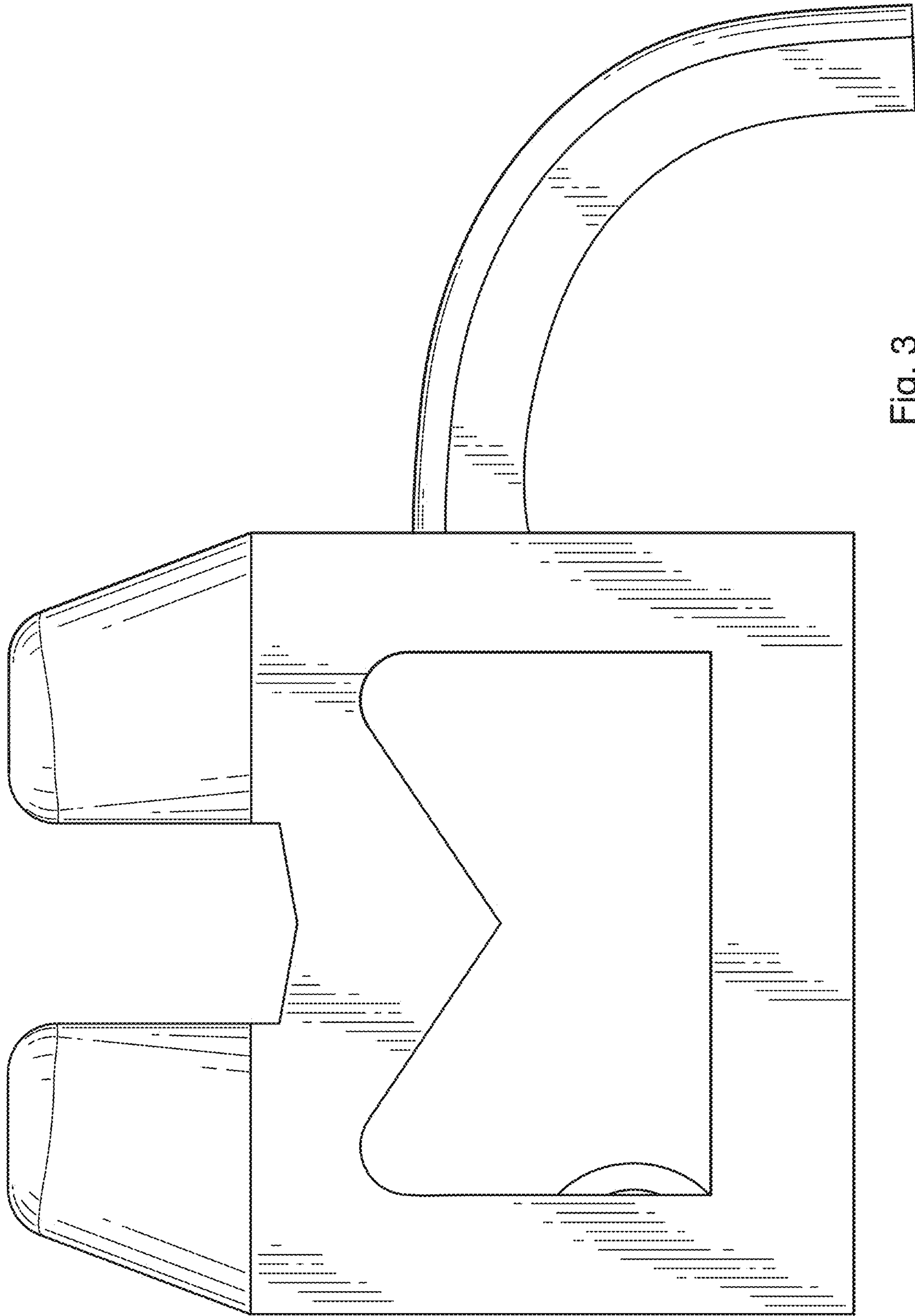


Fig. 3

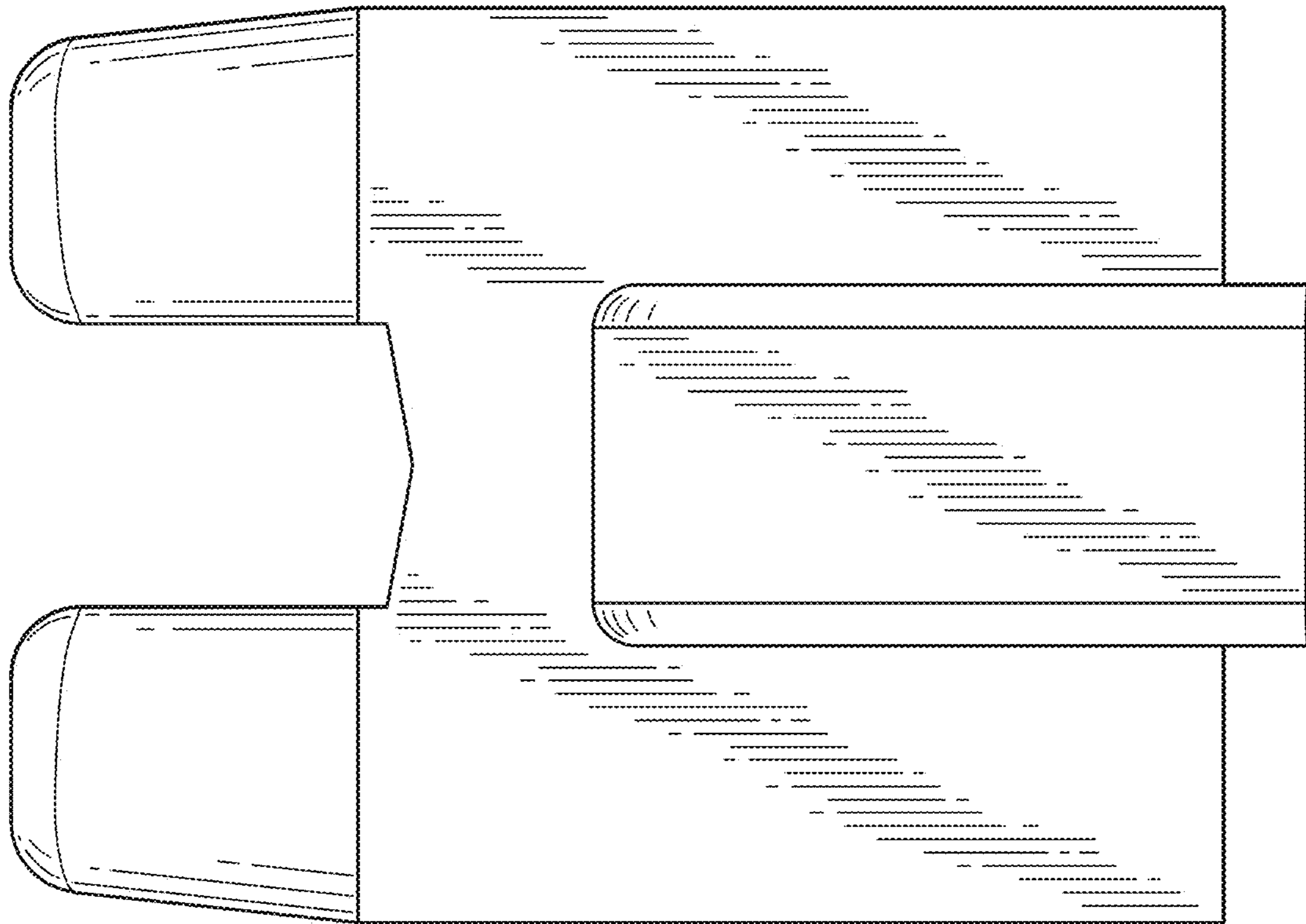


Fig. 4

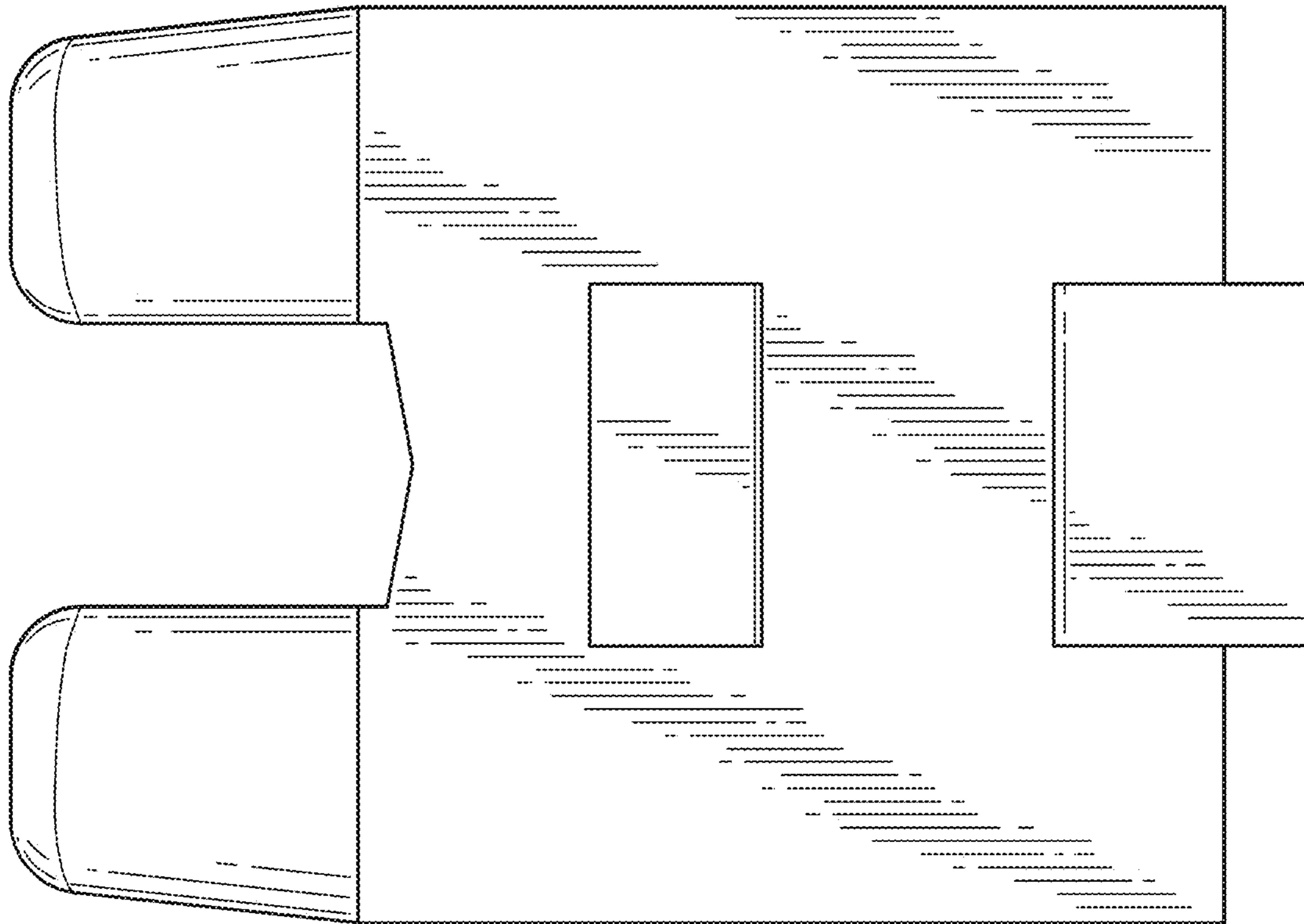


Fig. 5

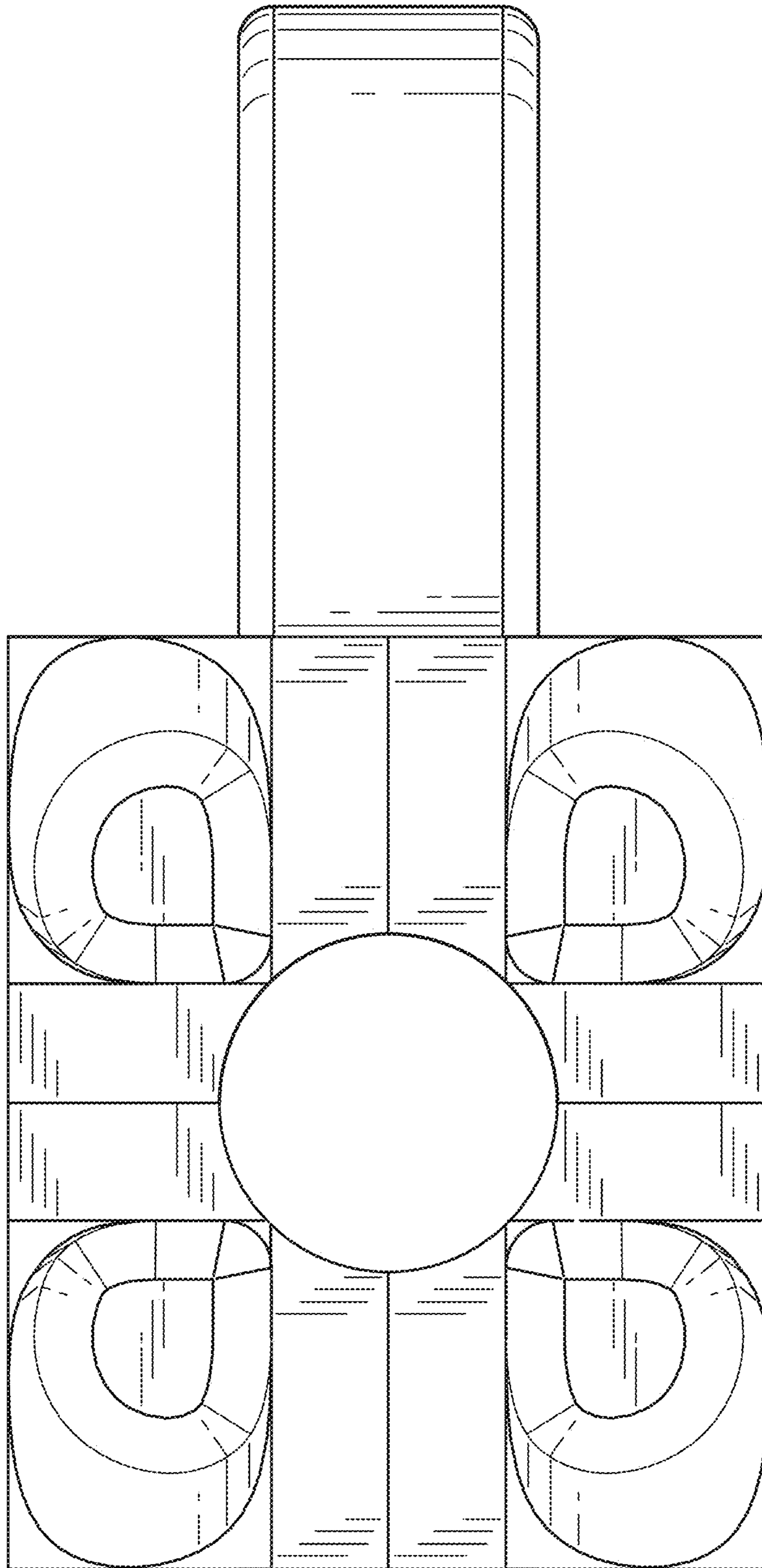


Fig. 6

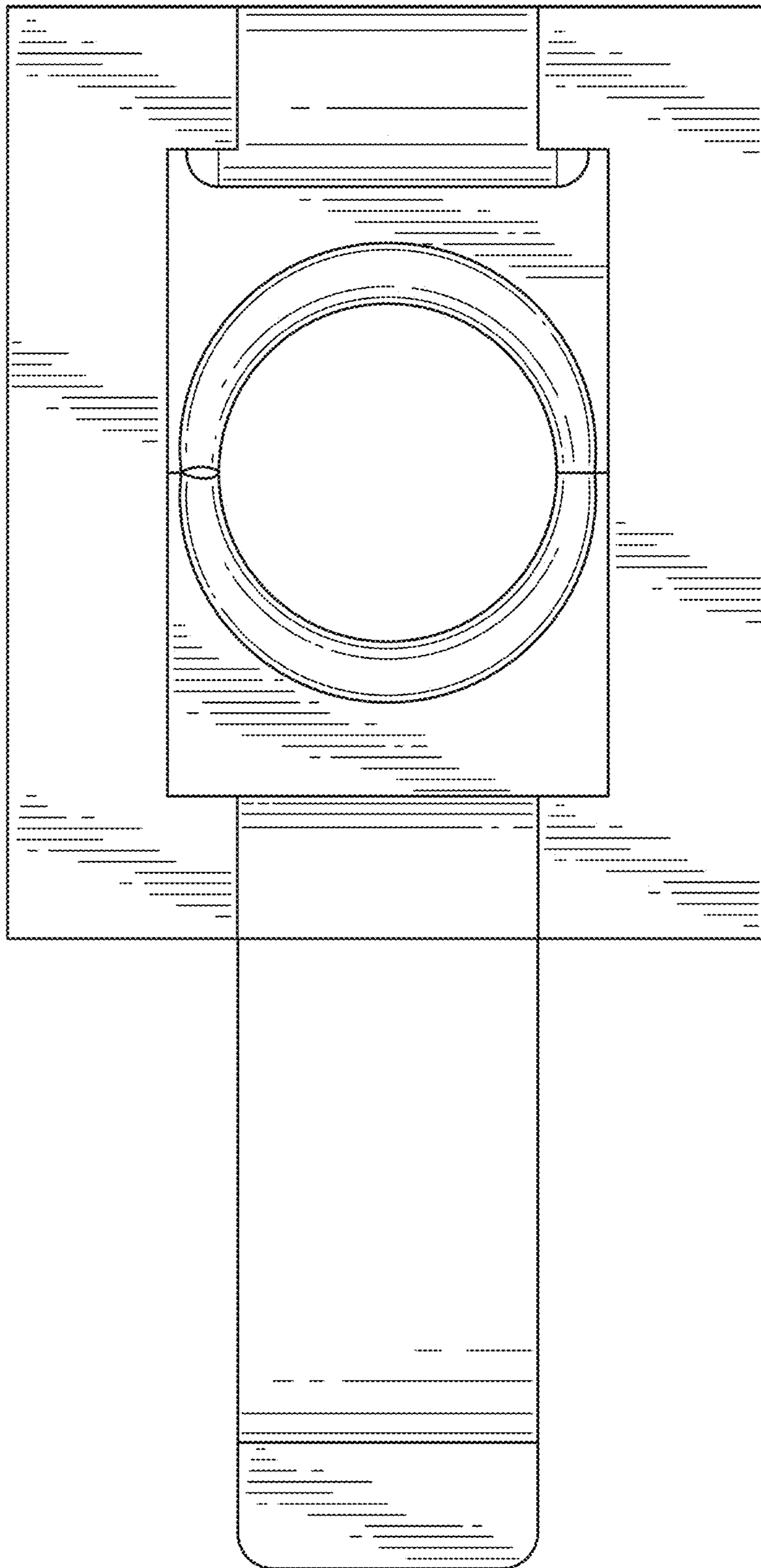


Fig. 7