



US00D873701S

(12) **United States Design Patent** (10) **Patent No.:** **US D873,701 S**
Amanatullah et al. (45) **Date of Patent:** **** Jan. 28, 2020**

- (54) **JEWELRY PIECE**
- (71) Applicant: **Arthrology Designs, LLC**, Palo Alto, CA (US)
- (72) Inventors: **Derek Amanatullah**, Palo Alto, CA (US); **Warren M. White**, Morgan Hill, CA (US)
- (73) Assignee: **ARTHROLOGY CONSULTING, LLC**, Menlo Park, CA (US)
- (**) Term: **15 Years**
- (21) Appl. No.: **29/594,948**
- (22) Filed: **Feb. 23, 2017**
- (51) **LOC (12) Cl.** **11-01**
- (52) **U.S. Cl.**
USPC **D11/61**
- (58) **Field of Classification Search**
USPC D11/1-7, 16, 40-45, 47, 48, 61, 75-81, D11/85, 86; D3/207-211
CPC A44C 1/00; A44C 5/00; A44C 5/0007; A44C 5/02; A44C 7/00; A44C 7/002; A44C 7/003; A44C 7/004; A44C 7/005; A44C 7/006; A44C 7/007; A44C 7/008; A44C 7/009; A44C 15/00; A44C 25/00; A44C 25/001; A44C 25/002; A44C 25/007
See application file for complete search history.

- (56) **References Cited**
U.S. PATENT DOCUMENTS
D34,183 S * 3/1901 Rice D11/61
D40,516 S * 2/1910 Gaynor D11/116
D46,653 S * 11/1914 Salzman D11/81
D143,546 S * 1/1946 Rest D11/48
D144,061 S * 3/1946 Mann D11/14
D164,723 S * 10/1951 Philippe D11/61
D179,380 S * 12/1956 Dana D18/24

- D186,460 S * 10/1959 Kunzmann D11/79
- D195,871 S * 8/1963 Kinsley D11/89
- D235,676 S * 7/1975 Pappas D11/81
- D246,231 S * 11/1977 Cernevski D11/61
- D259,032 S * 4/1981 Reyes D11/70
- D272,891 S * 3/1984 Bruce D11/67
- D389,772 S * 1/1998 Sas D11/81
- 5,915,946 A * 6/1999 Nakajima A01K 91/04
43/44.86
- D473,484 S * 4/2003 Bernsen D11/81
- D533,477 S * 12/2006 Felley D11/56
- D577,906 S * 10/2008 Hu D3/211
- D577,907 S * 10/2008 Hu D3/211
- D614,075 S * 4/2010 Kothari D11/79
- D639,695 S * 6/2011 Nudelman D11/56
- D649,901 S * 12/2011 Bodino D11/1
- D651,116 S * 12/2011 Eddlemon D11/56
- D653,985 S * 2/2012 Sandberg D11/1
- D653,986 S * 2/2012 Sandberg D11/1

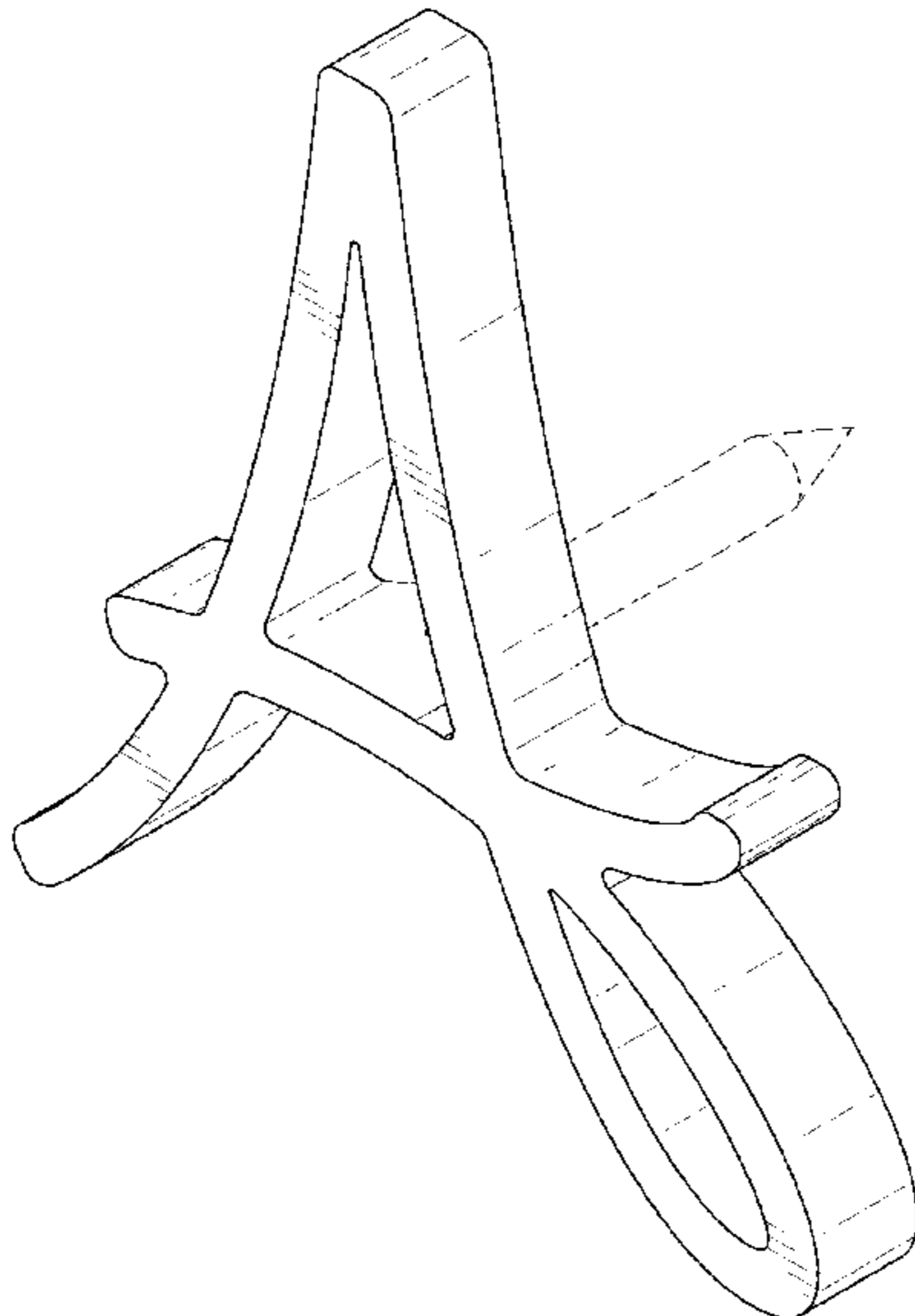
(Continued)

Primary Examiner — Michael A. Pratt
Assistant Examiner — Wendy L Arminio
(74) *Attorney, Agent, or Firm* — Knobbe, Martens, Olson & Bear LLP

(57) **CLAIM**
The ornamental design for a jewelry piece, as shown and described.

DESCRIPTION
FIG. 1 is a perspective top view of a jewelry piece showing our new design;
FIG. 2 is a perspective bottom view thereof;
FIG. 3 is a top plan view thereof;
FIG. 4 is a bottom plan view thereof;
FIG. 5 is a left side elevational view thereof;
FIG. 6 is a right side elevational view thereof;
FIG. 7 is a front side elevational view thereof; and,
FIG. 8 is a rear side elevational view thereof.
The broken lines depict environmental features that form no part of the claimed design.

1 Claim, 7 Drawing Sheets



(56)

References Cited

U.S. PATENT DOCUMENTS

8,162,276 B2 *	4/2012	Fathi	A44B 15/005 24/3.1
D669,388 S *	10/2012	Payne	D11/79
D679,622 S *	4/2013	Dholakiya	D11/1
D721,985 S *	2/2015	Aagaard	D11/93
D722,913 S *	2/2015	Aagaard	D11/93
D829,275 S *	9/2018	Stenger	D18/27

* cited by examiner

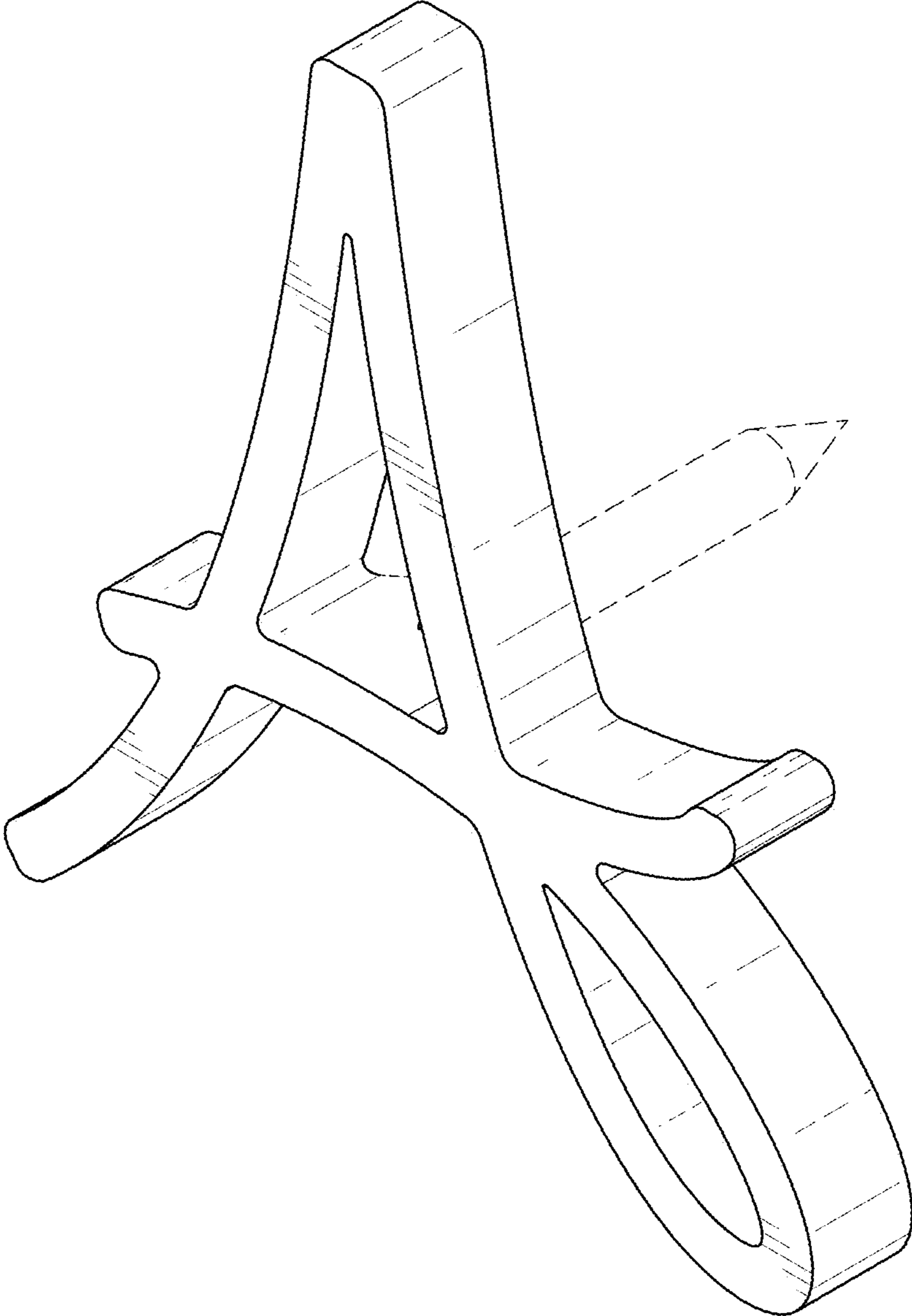


FIG. 1

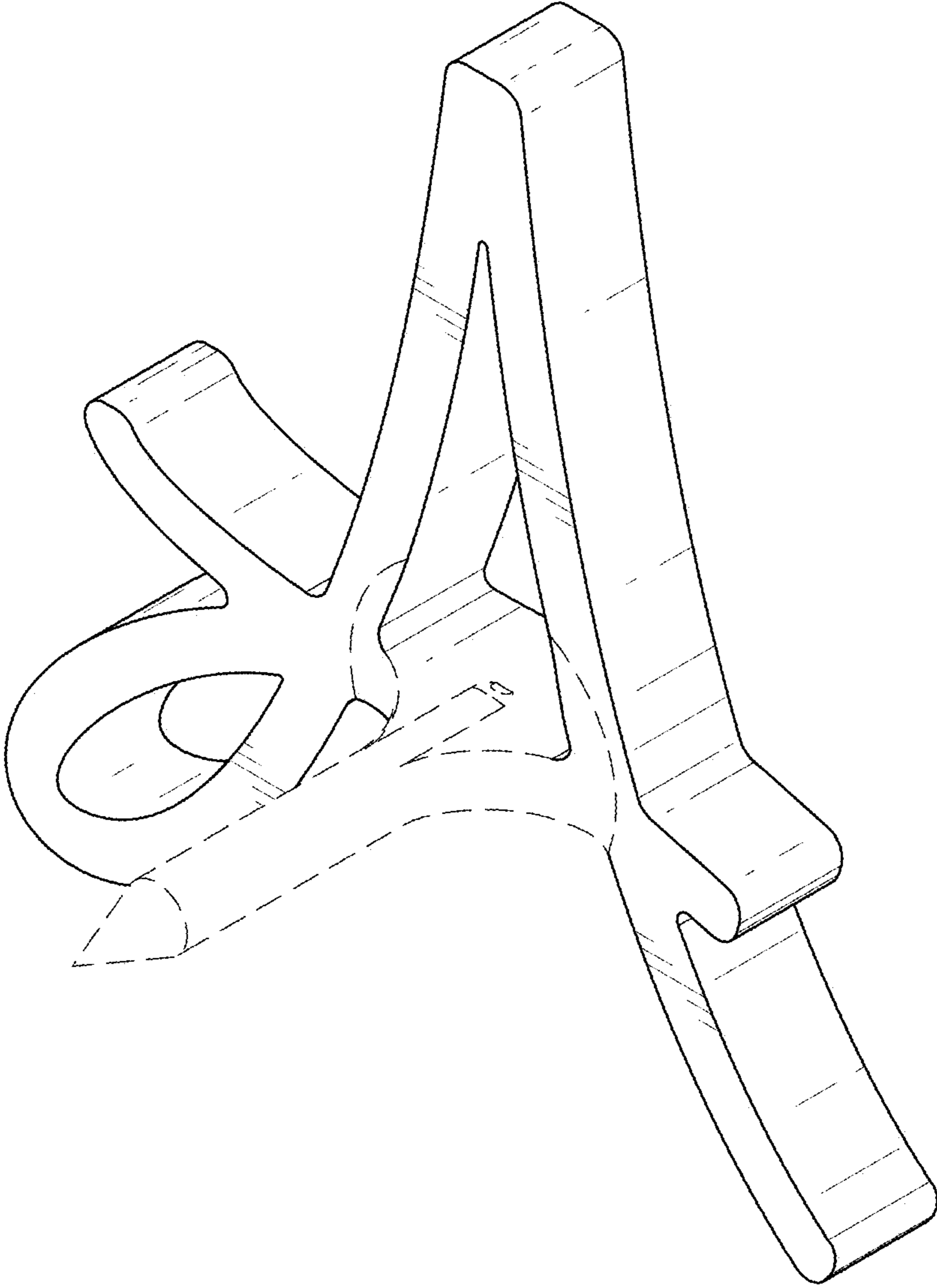


FIG. 2

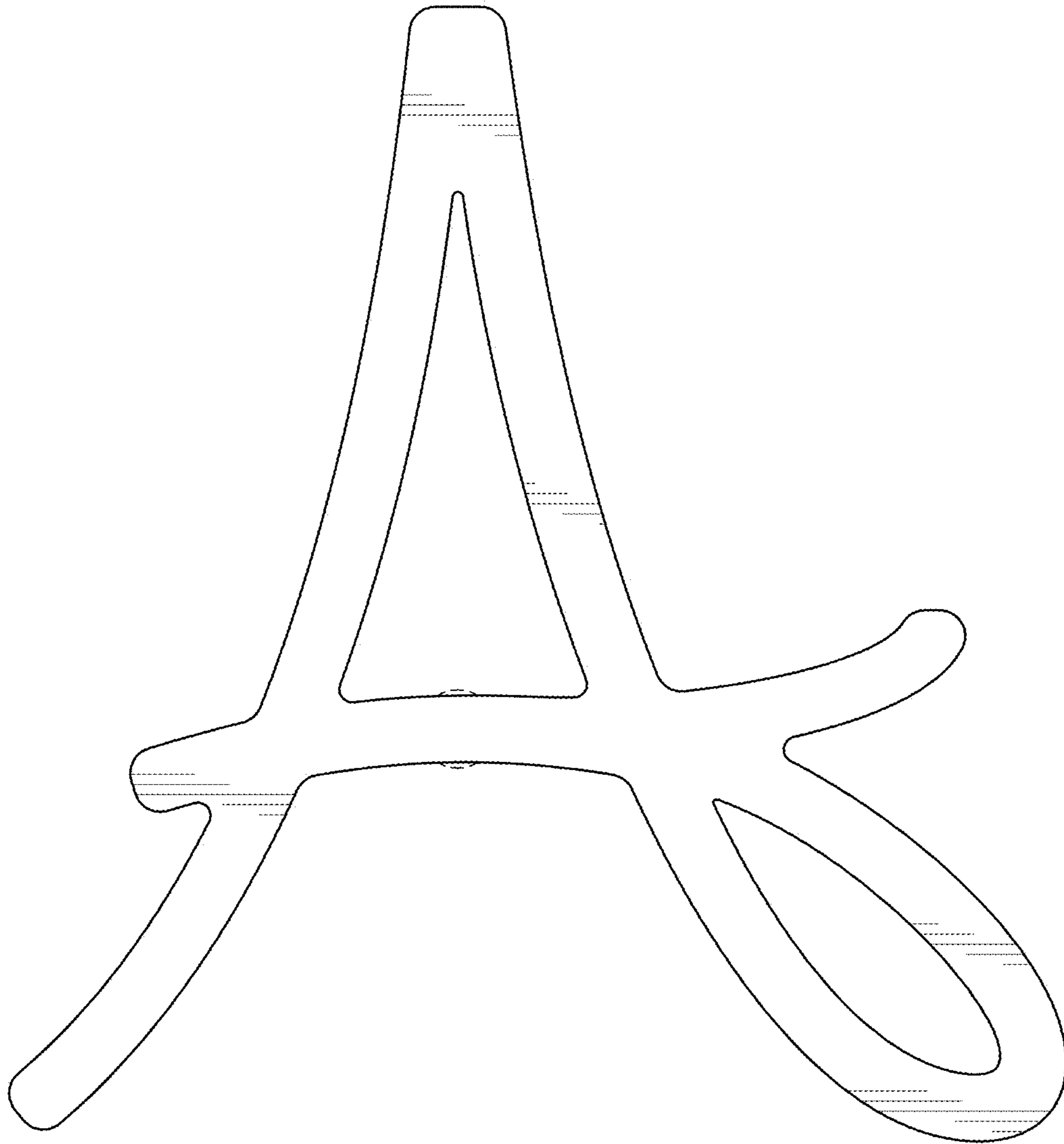


FIG. 3

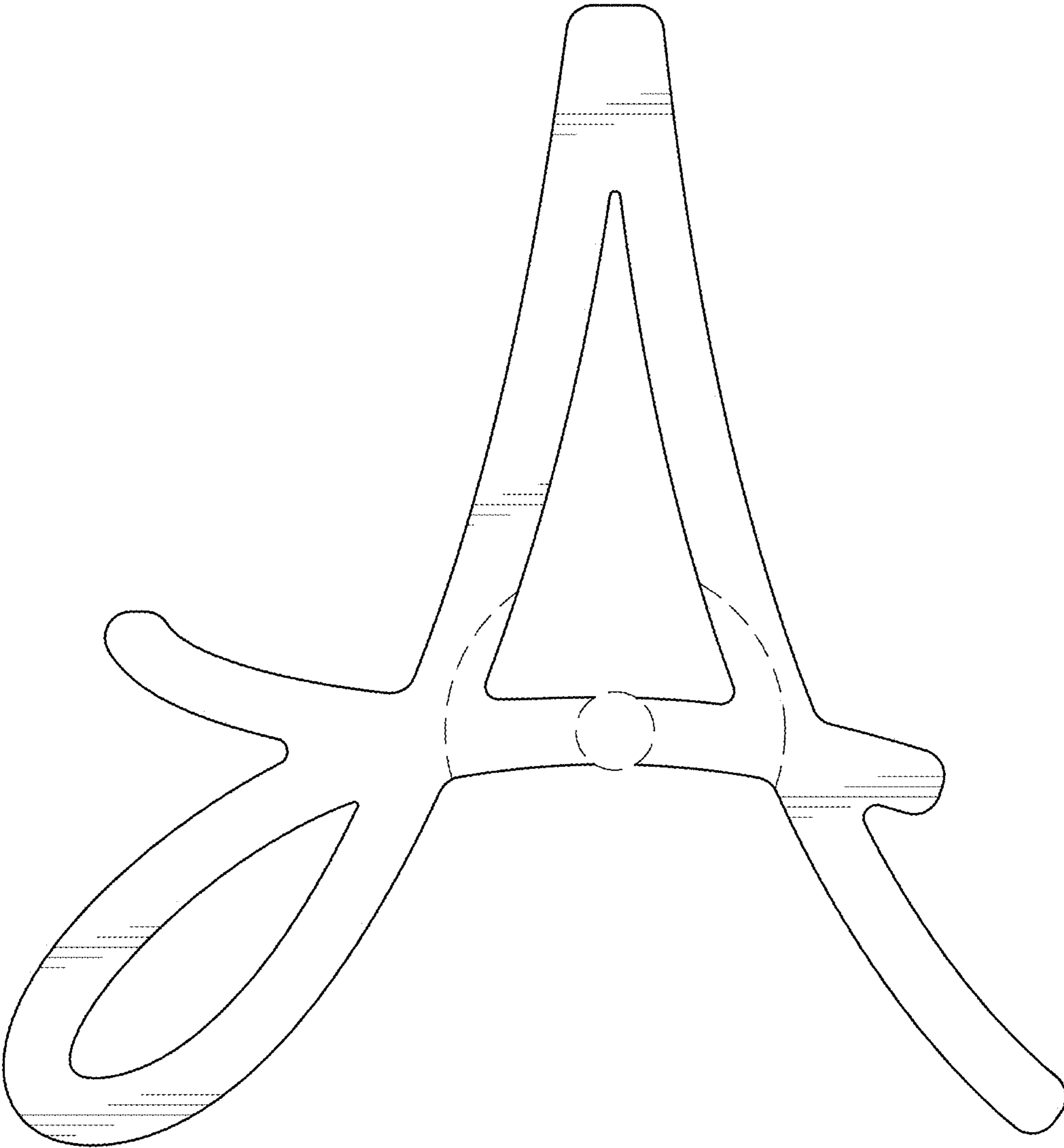


FIG. 4

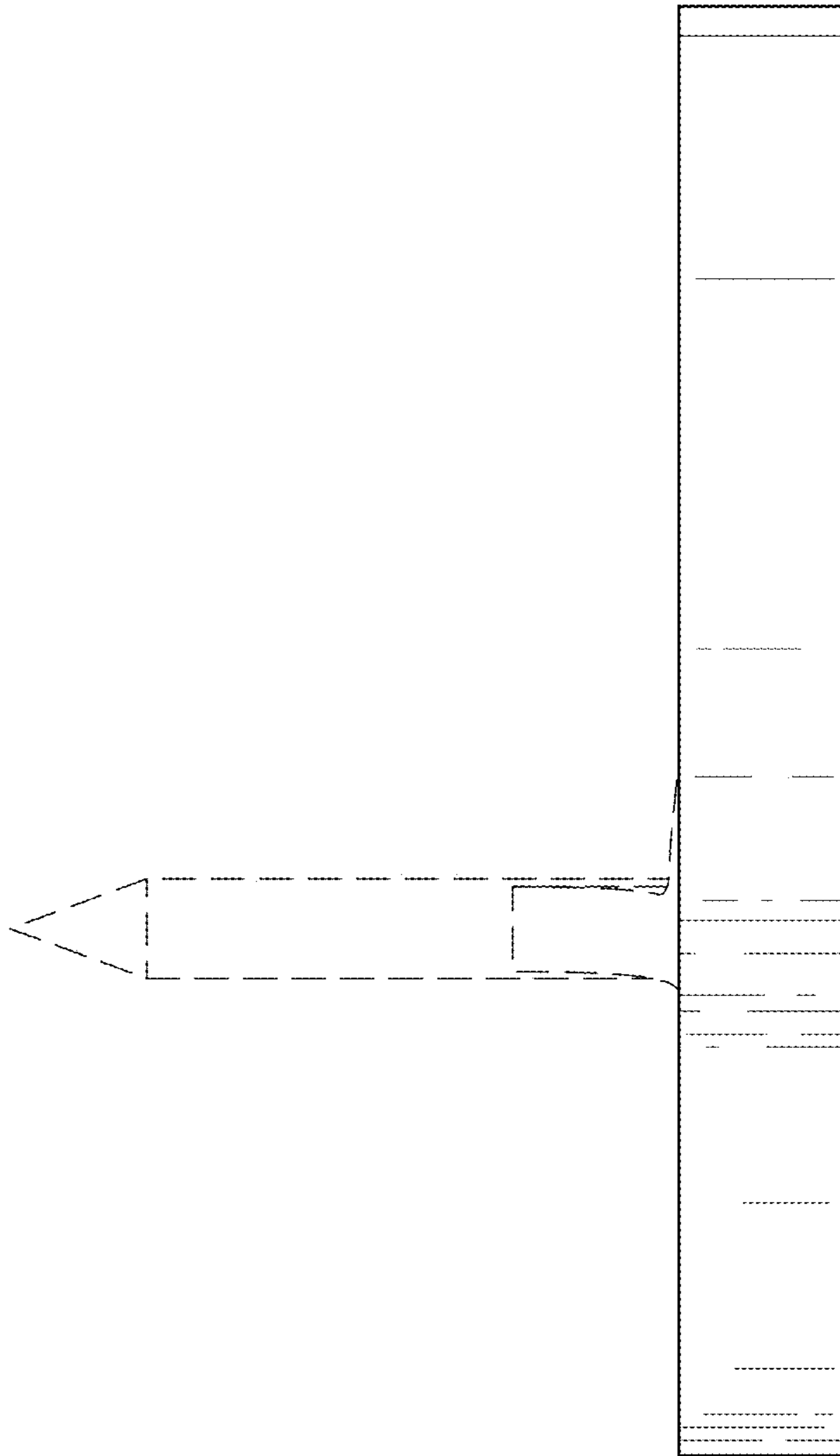


FIG. 5

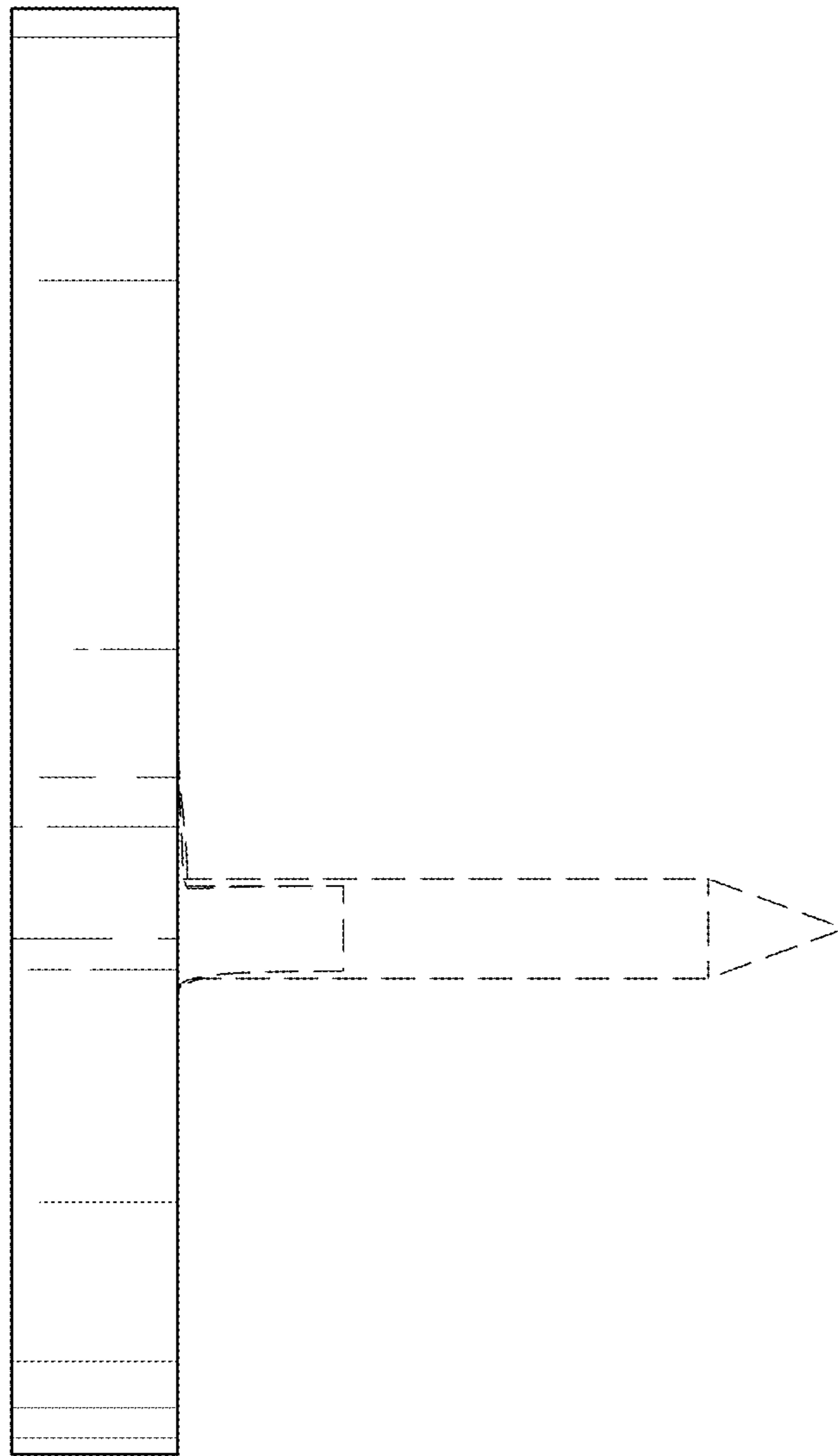


FIG. 6

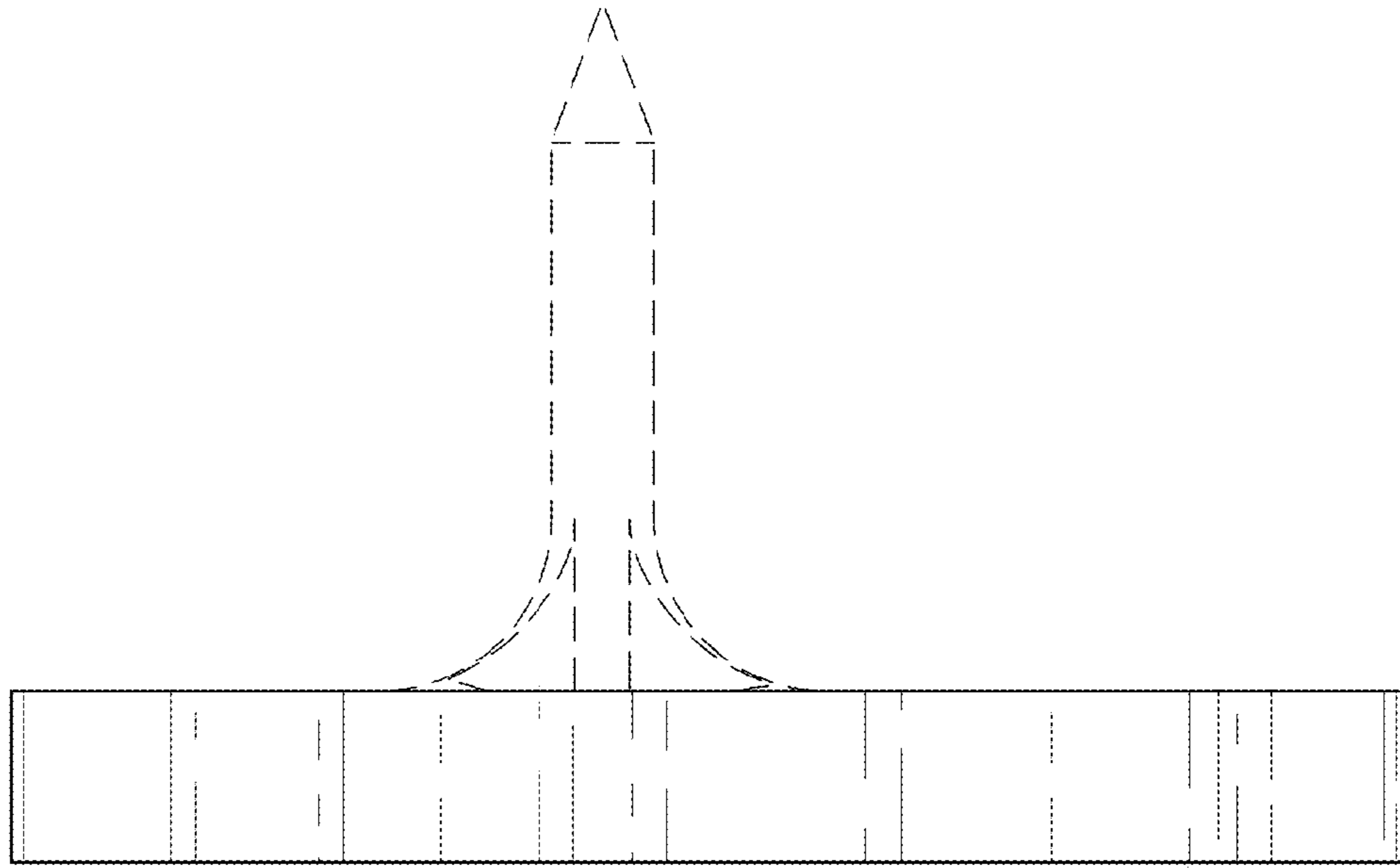


FIG. 7

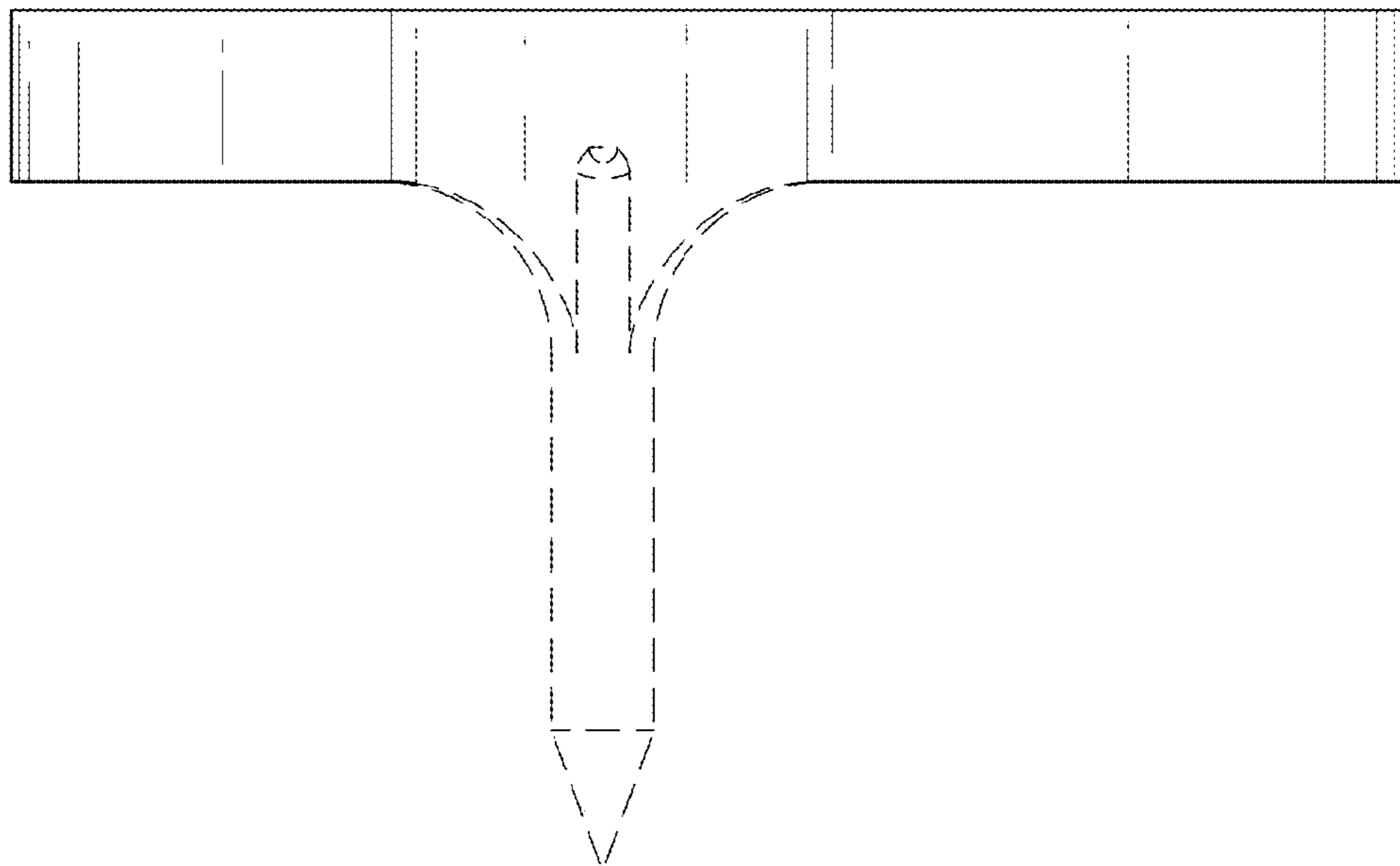


FIG. 8