



US00D873693S

(12) **United States Design Patent** (10) **Patent No.:** **US D873,693 S**
Gimenez (45) **Date of Patent:** **** Jan. 28, 2020**

(54) **WATCH RIM**
(71) Applicant: **Cartier International AG**, Steinhausen (CH)
(72) Inventor: **Nicole Gimenez**, Mont-sur-Rolle (CH)
(73) Assignee: **Cartier International AG**, Steinhausen (CH)

5,657,298 A * 8/1997 Choay G04B 37/1413
368/276
D392,910 S * 3/1998 Kume D10/132
D422,514 S * 4/2000 Diltoer D10/128
D491,472 S * 6/2004 Peraldi D10/30
D508,421 S * 8/2005 Diltoer D10/39

(Continued)

(**) Term: **15 Years**
(21) Appl. No.: **29/648,697**
(22) Filed: **May 23, 2018**

(30) **Foreign Application Priority Data**

Nov. 24, 2017 (WO) DM/098697

(51) **LOC (12) Cl.** **10-07**
(52) **U.S. Cl.**
USPC **D10/128**

(58) **Field of Classification Search**
USPC D10/1-2, 6, 14-15, 30-39, 40-41, 98,
D10/102, 121-126, 128-129; D11/3-5,
D11/12, 18-19, 23, 93
CPC .. A44C 5/02; G04B 17/28-285; G04B 19/00;
G04B 19/048; G04B 19/06; G04B
19/065; G04B 19/08; G04B 19/085;
G04B 19/087; G04B 19/10; G04B
19/103; G04B 19/106; G04B 19/12;
G04B 19/16; G04B 19/22; G04B 19/223;
G04B 19/24; G04B 19/243; G04B 29/00;
G04B 37/00; G04B 37/008; G04B
37/0058; G04B 37/12; G04B 37/14;
G04B 37/1486; G04B 45/0069; G04B
45/0076; G04B 47/00; G04B 47/048
See application file for complete search history.

(56) **References Cited**

U.S. PATENT DOCUMENTS

D288,066 S * 2/1987 Kanoui D10/32
D342,208 S * 12/1993 Tsukada D10/128

OTHER PUBLICATIONS

SIHH 2018 Cartier—The New Santos I posted at timeandwatches.com Jan. 2018 [online]. © 2019 Time and Watches [retrieved Mar. 12, 2019] from Internet: <<https://www.timeandwatches.com/2018/01/sihh-2018-cartier-new-santos.html>> (Year: 2018).*

(Continued)

Primary Examiner — Sandra S Snapp

Assistant Examiner — Katherine Glennon

(74) *Attorney, Agent, or Firm* — Taft Stettinius & Hollister LLP

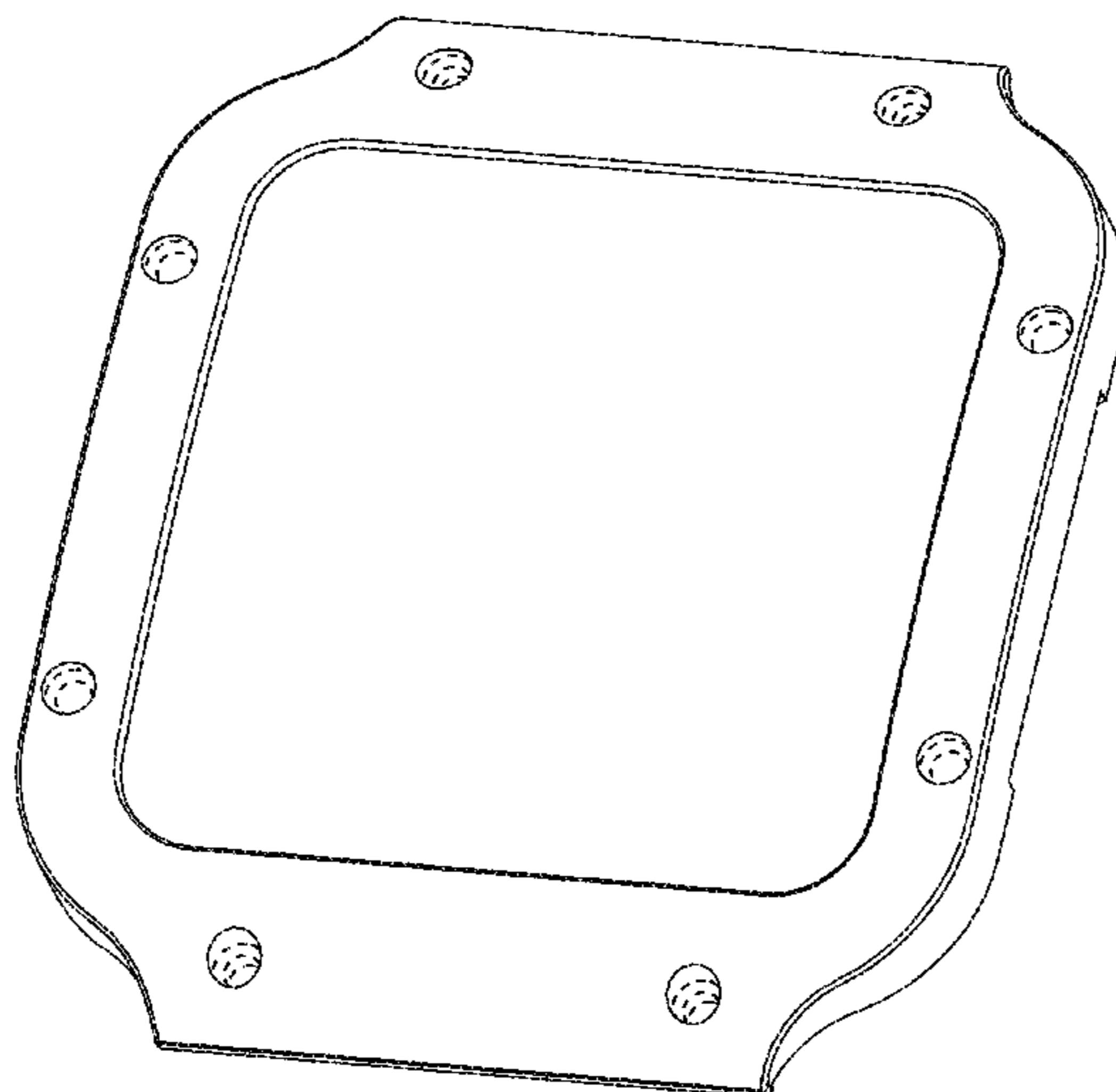
(57) **CLAIM**

The ornamental design for a watch rim, as shown and described.

DESCRIPTION

FIG. 1 is a front elevational view of a watch rim showing my new design;
FIG. 2 is a back elevational view thereof;
FIG. 3 is a top plan view thereof;
FIG. 4 is a bottom plan view thereof;
FIG. 5 is a right side elevational view thereof;
FIG. 6 is a left side elevational view thereof;
FIG. 7 is a front, right side perspective view thereof; and,
FIG. 8 is a back, left side perspective view thereof.
The broken lines in the drawing figures depict unclaimed subject matter that forms no part of the claimed design.

1 Claim, 8 Drawing Sheets



(56)

References Cited

U.S. PATENT DOCUMENTS

6,971,789 B2 * 12/2005 Nakamura G04B 37/04
 368/281
 D546,203 S * 7/2007 Campos D10/32
 D568,181 S * 5/2008 Rabassa D10/39
 D576,053 S * 9/2008 Lulic D10/24
 D577,612 S * 9/2008 Diltoer D10/38
 7,433,275 B2 * 10/2008 Ellner G04B 37/0427
 368/281
 D606,423 S * 12/2009 Mille D10/38
 D614,050 S * 4/2010 Diltoer D10/38
 7,946,758 B2 * 5/2011 Mooring G04B 37/005
 368/276
 8,289,162 B2 * 10/2012 Mooring G06F 3/017
 340/407.1
 D770,931 S * 11/2016 Parker D10/132
 D773,942 S * 12/2016 Kweton D10/38
 D806,599 S * 1/2018 Nielsen D10/132
 2008/0181061 A1 * 7/2008 Girardin G04B 37/0058
 368/295
 2014/0029394 A1 * 1/2014 Saunier A44C 5/14
 368/285

OTHER PUBLICATIONS

Cartier Santos—A Week on the Wrist | posted at Hodinkee.com Apr. 2018 [online]. © 2009-2019, Hodinkee Inc. [retrieved Mar. 6, 2019] from Internet: <<https://www.hodinkee.com/articles/cartier-santos-review>> (Year: 2018).*

* cited by examiner

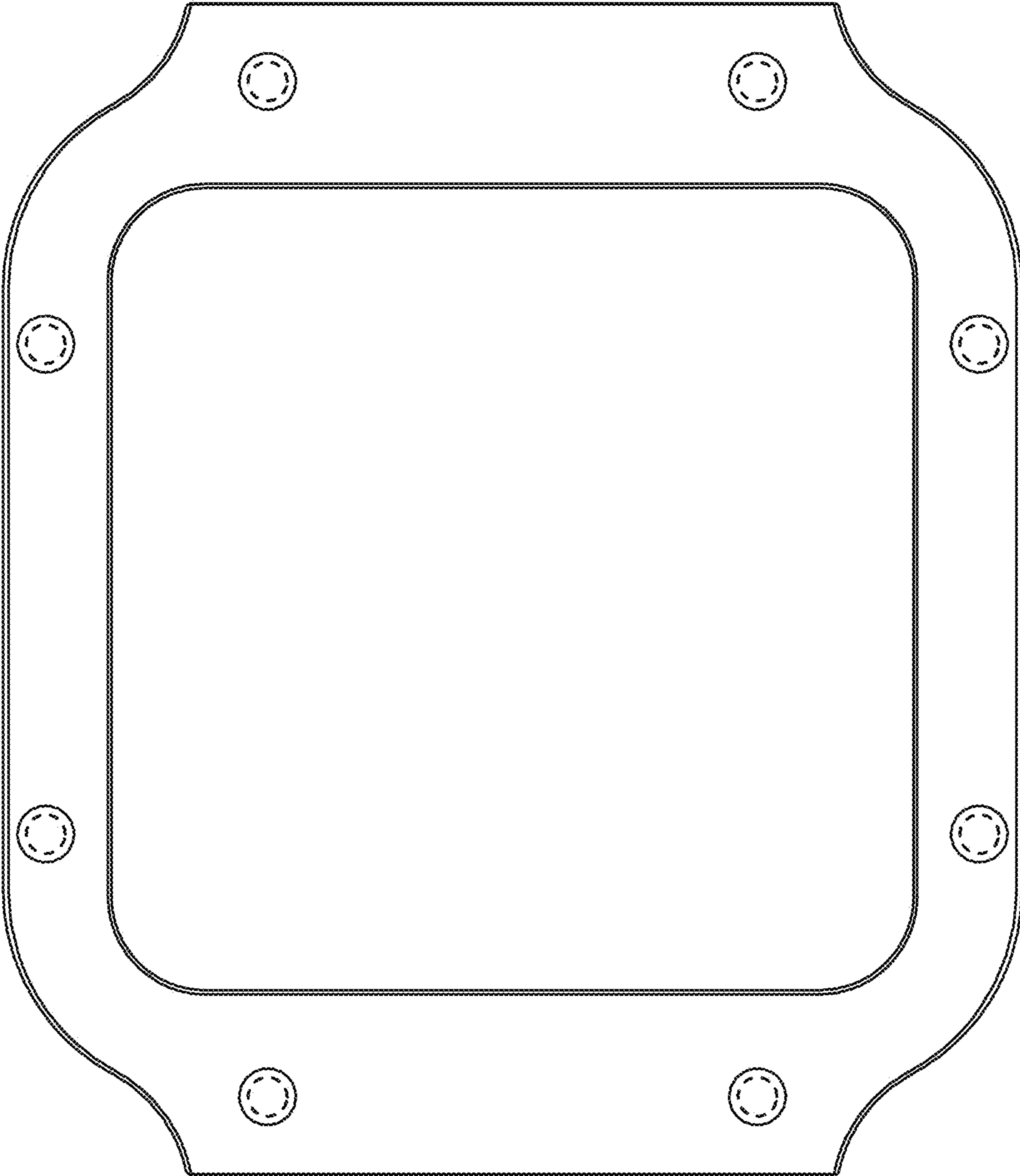


Fig. 1

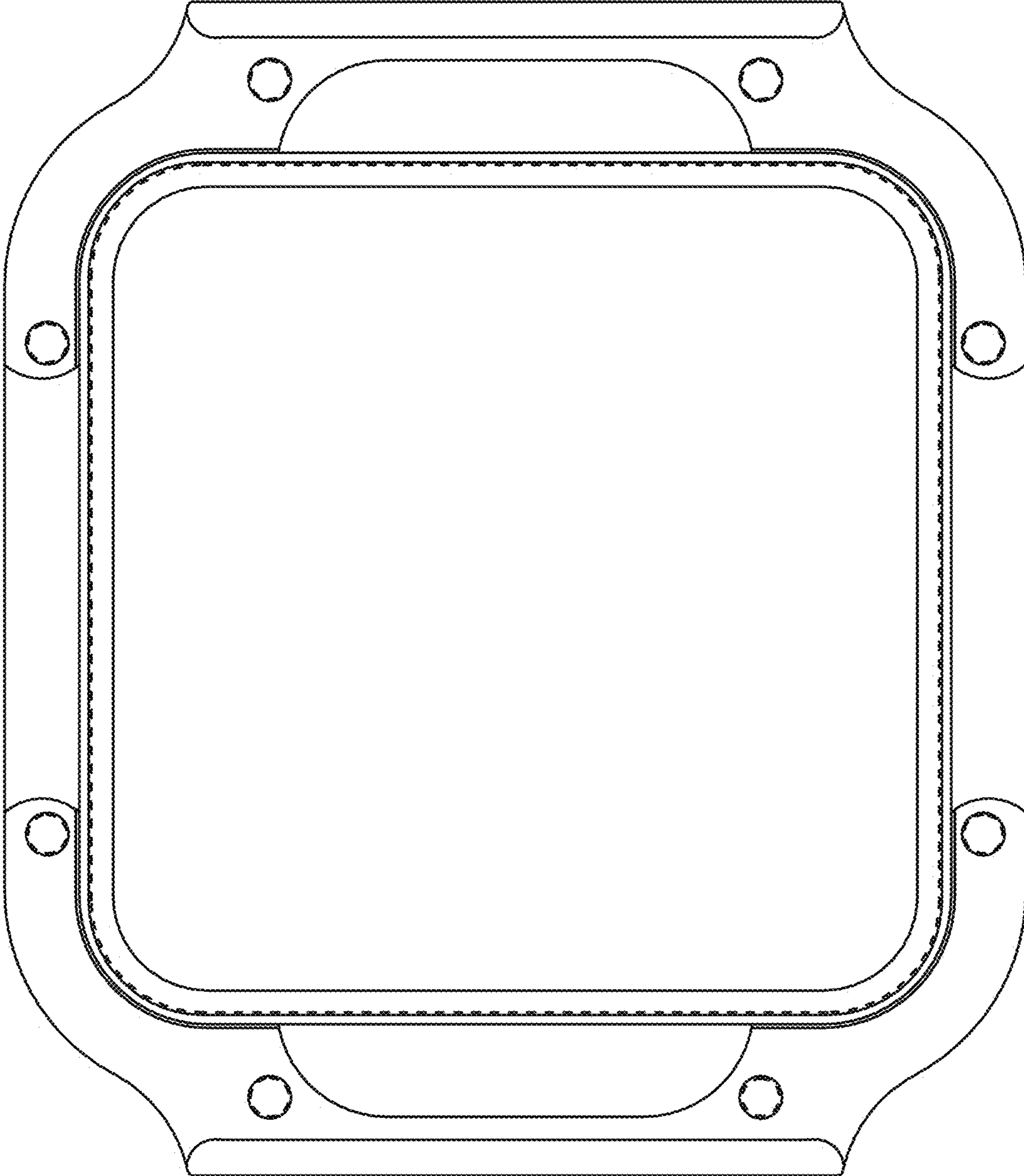


Fig. 2

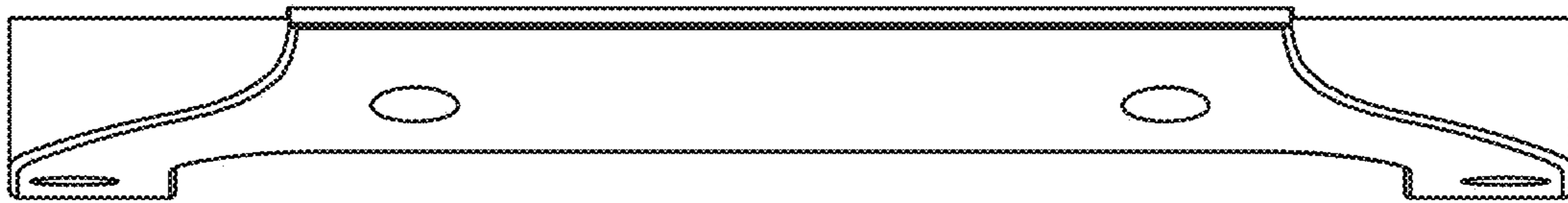


Fig. 3

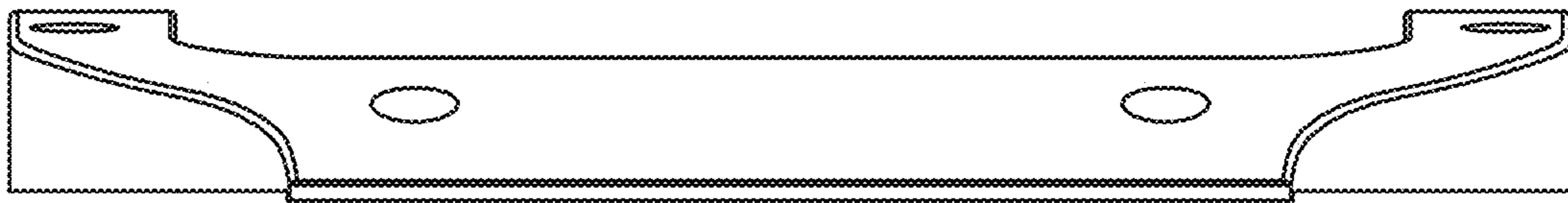


Fig. 4



Fig. 5

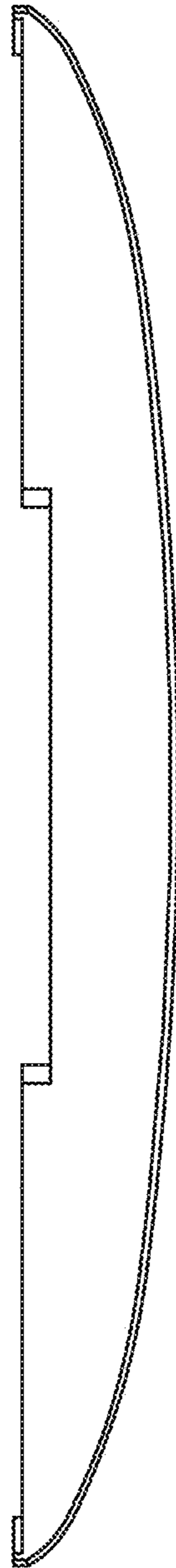


Fig. 6

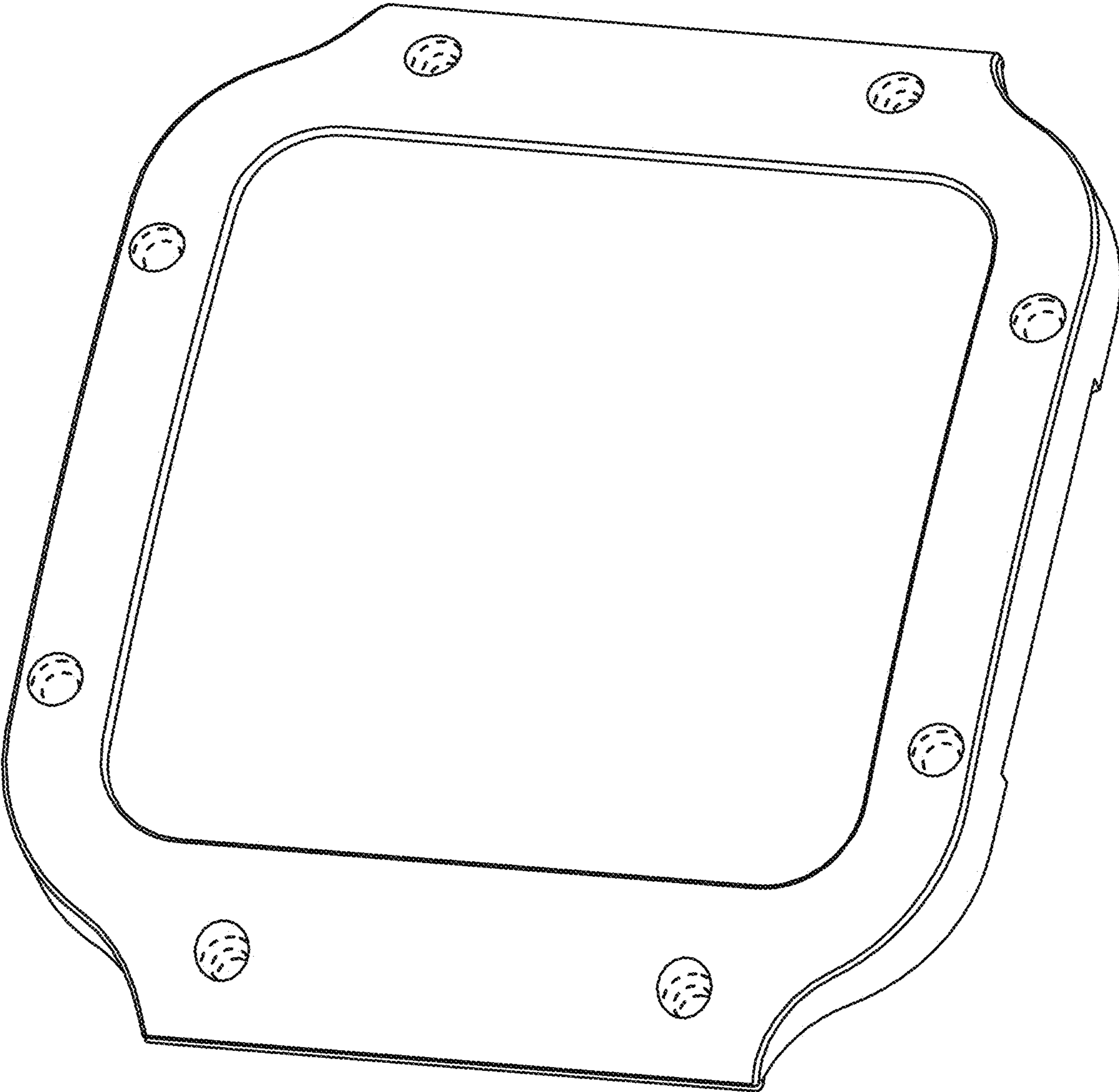


Fig. 7

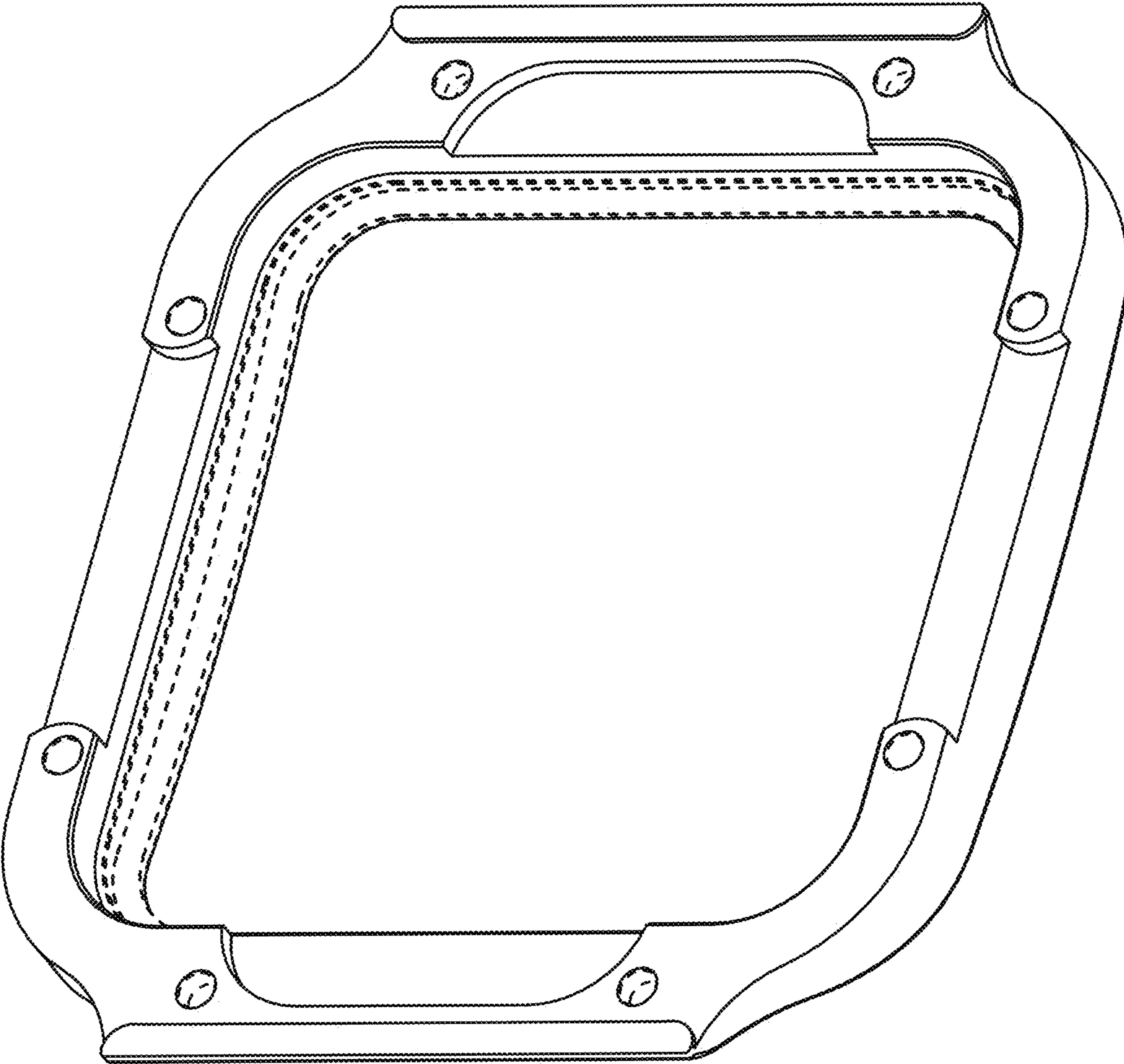


Fig. 8