



US00D873692S

(12) **United States Design Patent**  
**Shen**

(10) **Patent No.:** **US D873,692 S**

(45) **Date of Patent:** **\*\* Jan. 28, 2020**

(54) **WARNING LIGHT ASSEMBLY**

(71) Applicant: **S2B, Inc.**, Ontario, CA (US)

(72) Inventor: **Justin Shen**, Eastvale, CA (US)

(73) Assignee: **S2B, Inc.**, Ontario, CA (US)

(\*\*) Term: **15 Years**

(21) Appl. No.: **29/666,276**

(22) Filed: **Oct. 11, 2018**

(51) **LOC (12) Cl.** ..... **10-05**

(52) **U.S. Cl.**  
USPC ..... **D10/114.1**

(58) **Field of Classification Search**  
USPC ..... D10/114.1; D26/119, 28, 35; D12/400  
See application file for complete search history.

(56) **References Cited**

U.S. PATENT DOCUMENTS

D592,985 S *	5/2009	Barnett	.....	D10/114.1
D682,133 S *	5/2013	Chen	.....	D10/114.1
D736,433 S *	8/2015	Kuei-Lai	.....	D10/114.1
D736,970 S *	8/2015	Kuei-Lai	.....	D10/114.1
D779,984 S *	2/2017	Deyaf	.....	D10/114.2
D825,368 S *	8/2018	Kuo	.....	D10/114.1
D828,199 S *	9/2018	Liu	.....	D10/114.1
D853,875 S *	7/2019	Stein	.....	D10/114.1

\* cited by examiner

*Primary Examiner* — George D. Kirschbaum

(74) *Attorney, Agent, or Firm* — David T. Bennett

(57) **CLAIM**

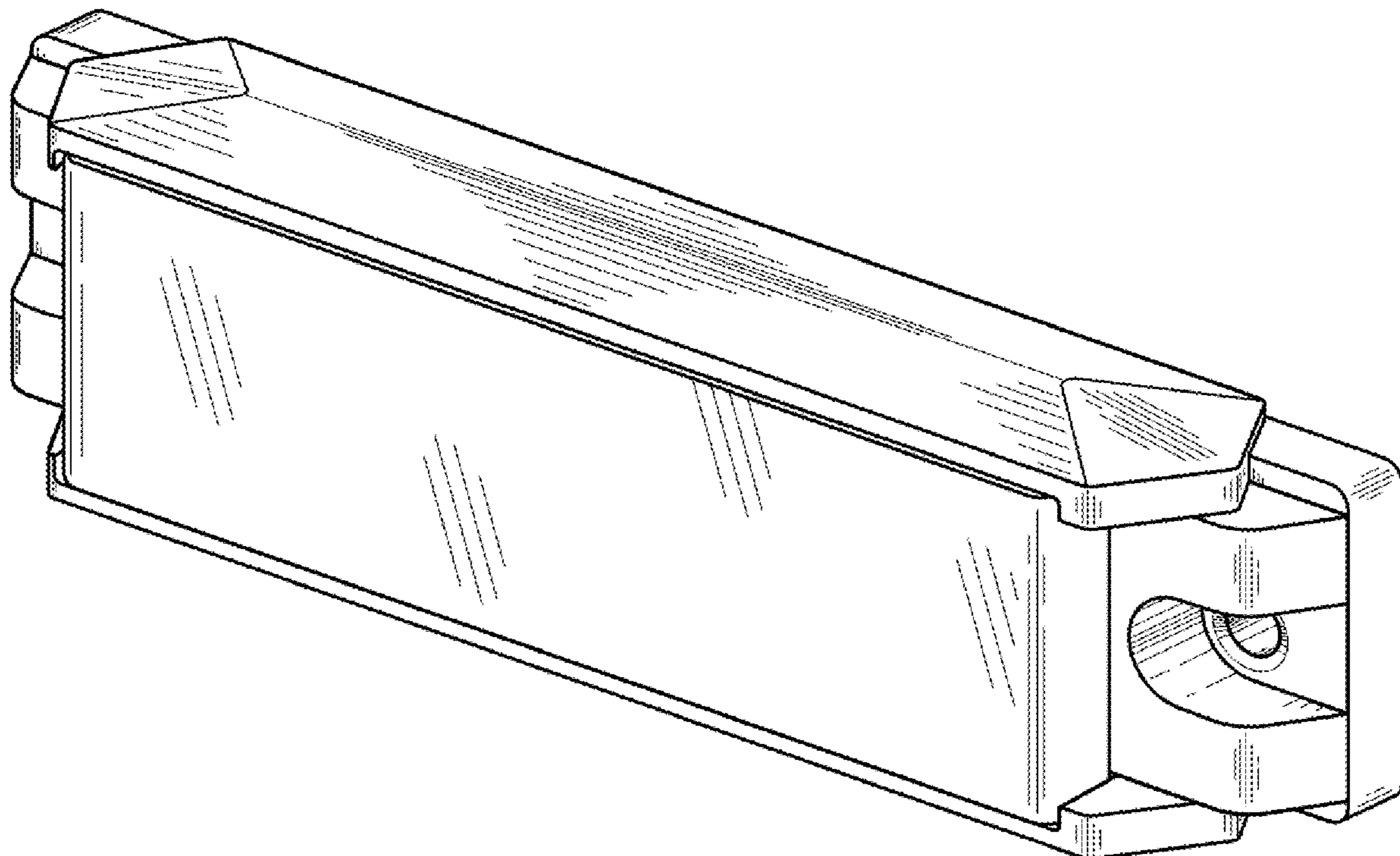
The ornamental design for a warning light assembly, as shown and described herein.

**DESCRIPTION**

FIG. 1 is a front perspective view of the claimed design;  
 FIG. 2 is a rear perspective view of the claimed design;  
 FIG. 3 is a rear view of the claimed design;  
 FIG. 4 is a front view of the claimed design;  
 FIG. 5 is a side view of the claimed design;  
 FIG. 6 is a top view of the claimed design;  
 FIG. 7 is a bottom view of the claimed design;  
 FIG. 8 is a front perspective view of the claimed design wherein one possible LED orientation is visible through a front lens;  
 FIG. 9 is a front perspective view of the claimed design wherein one possible LED orientation is visible through a front lens; and,  
 FIG. 10 is a front perspective view of the claimed design wherein one possible LED orientation is visible through a front lens.

The broken line showing of internal lighting elements include a plurality of LED lights for the warning light assembly that produce illumination through the apparatus cover.

**1 Claim, 4 Drawing Sheets**



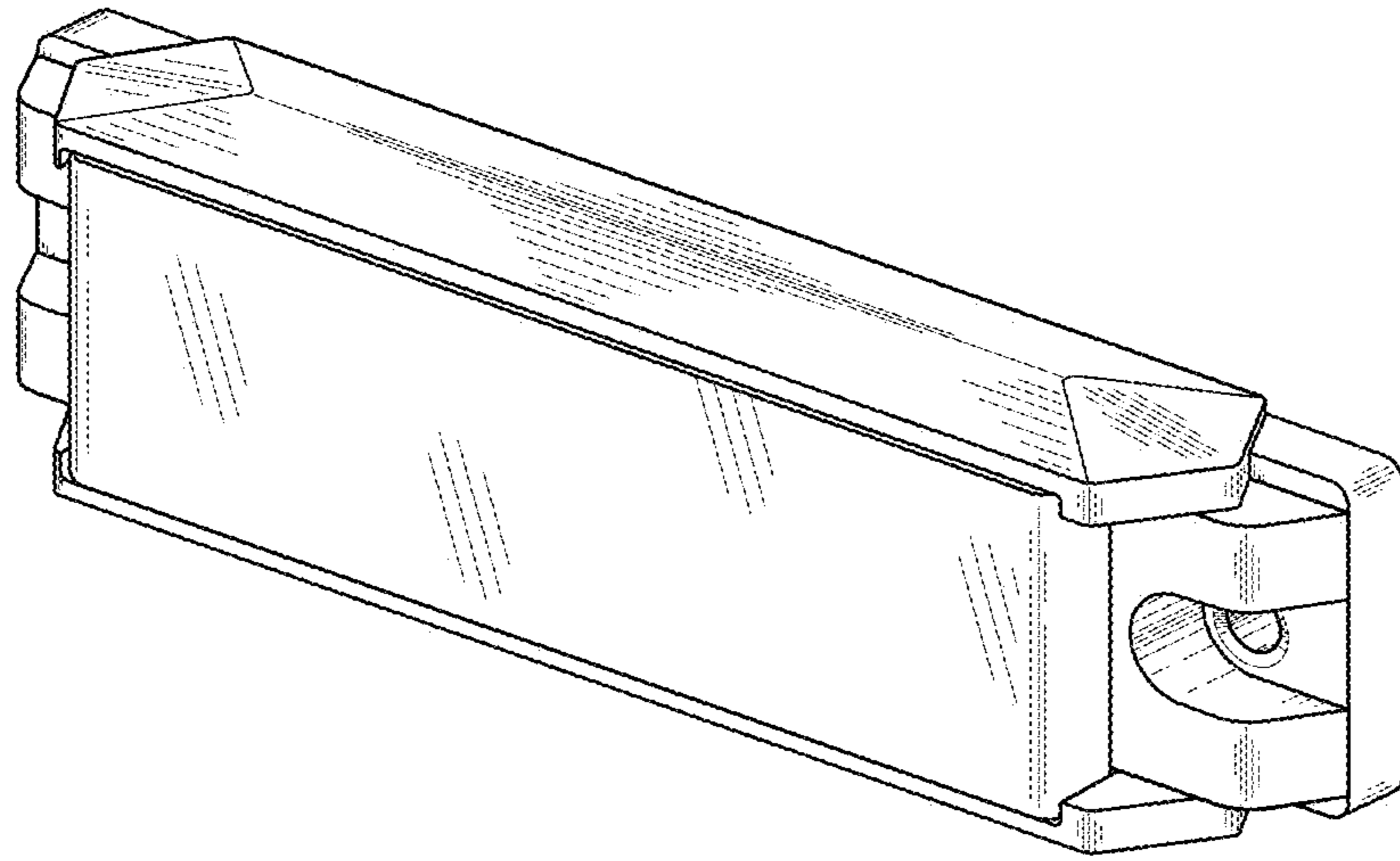


FIG. 1

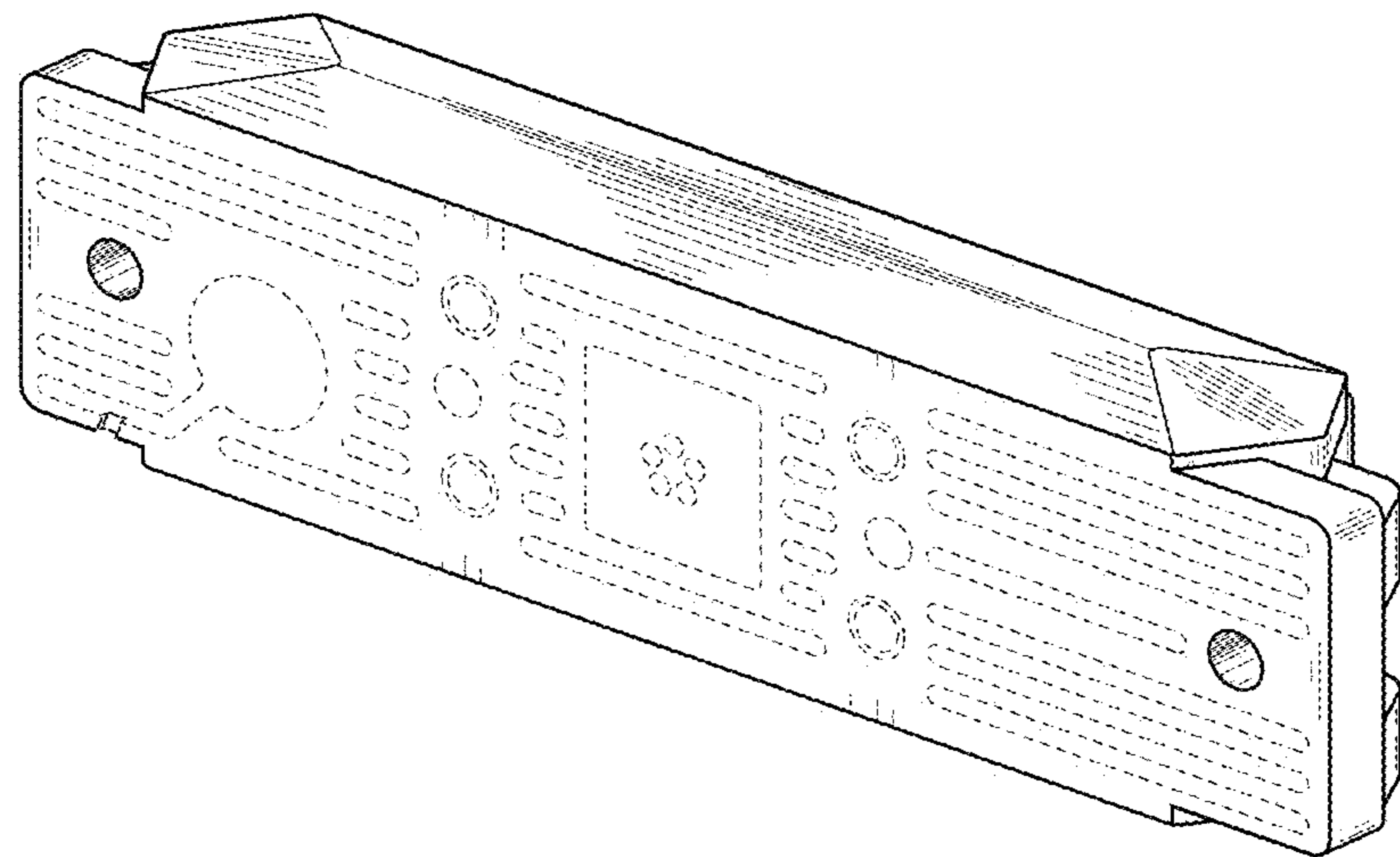


FIG. 2

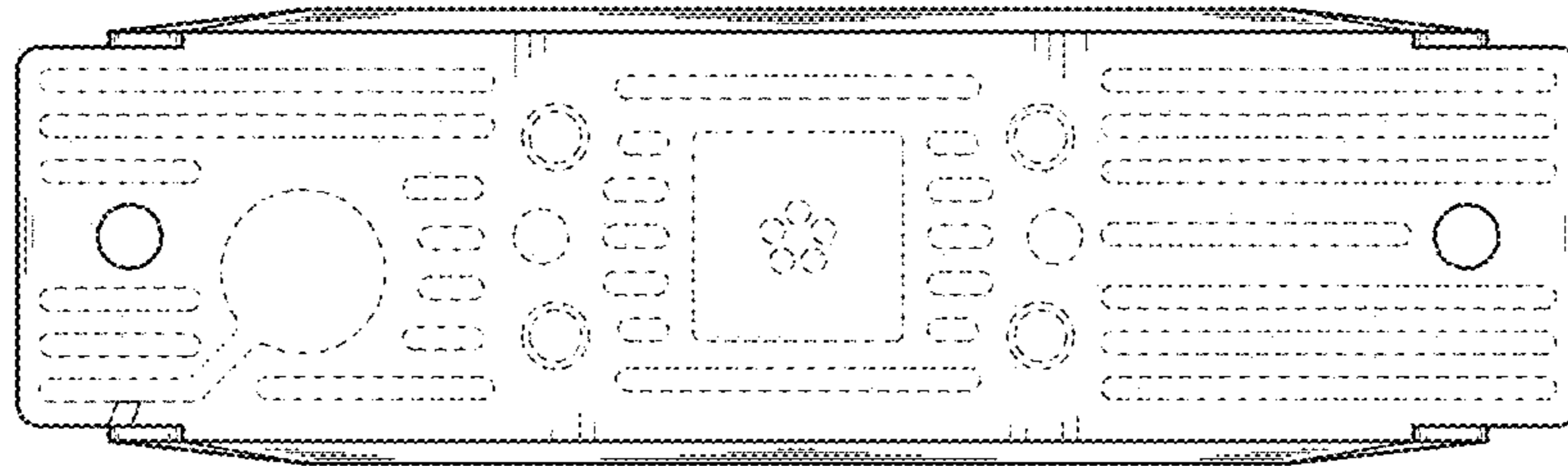


FIG. 3

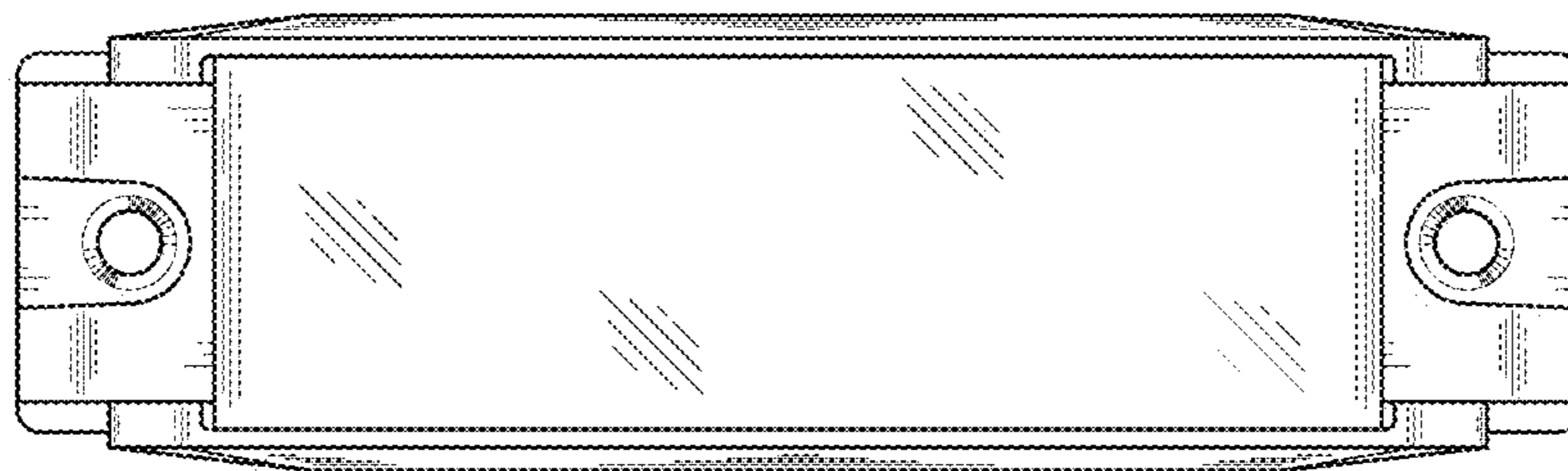


FIG. 4

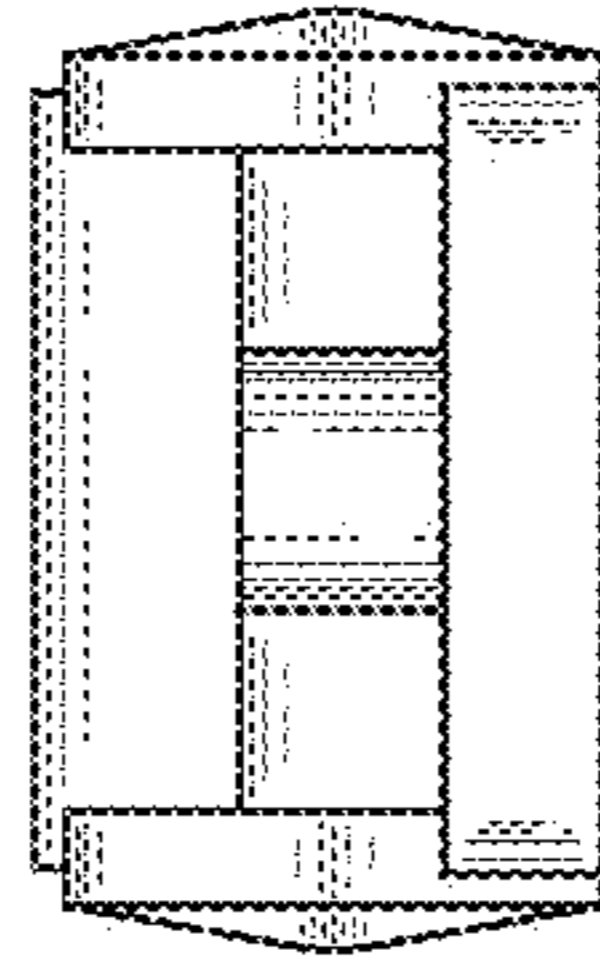


FIG. 5

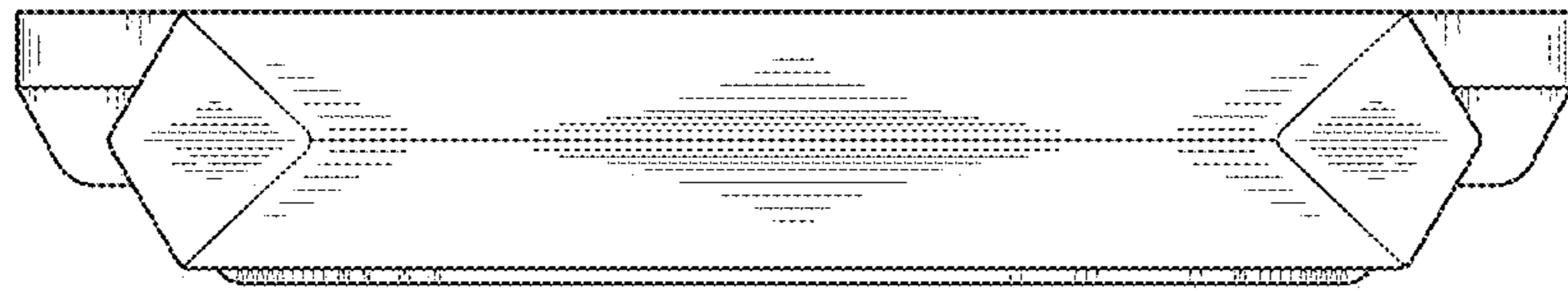


FIG. 6

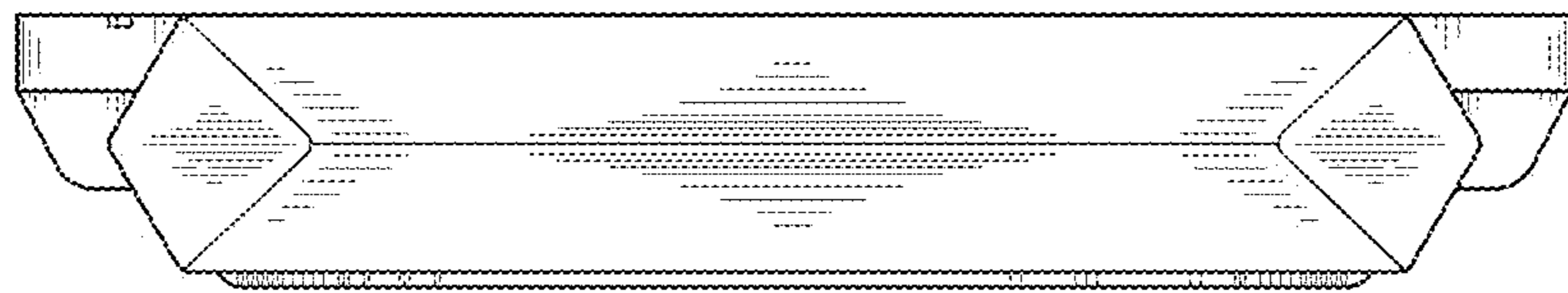


FIG. 7

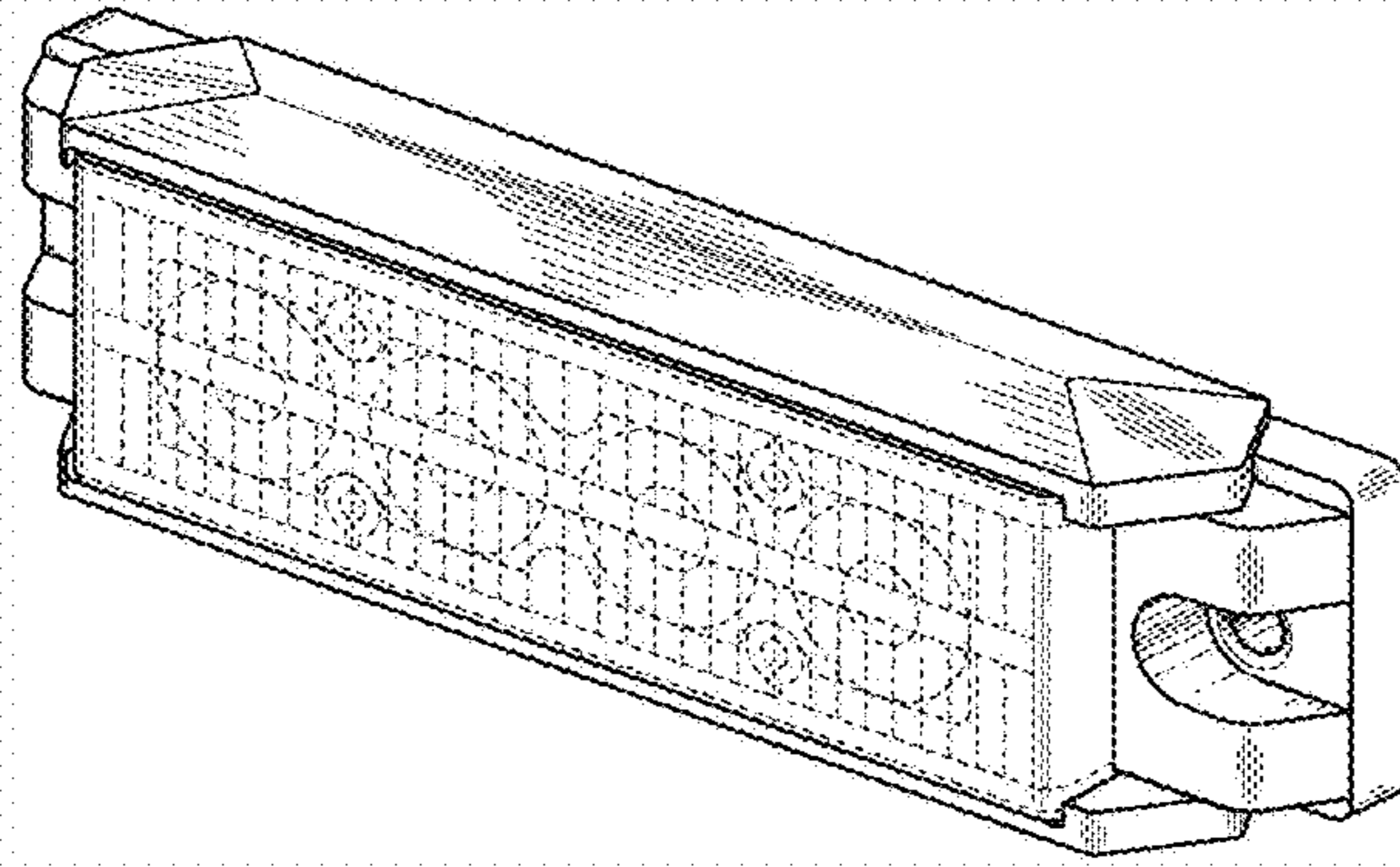


FIG. 8

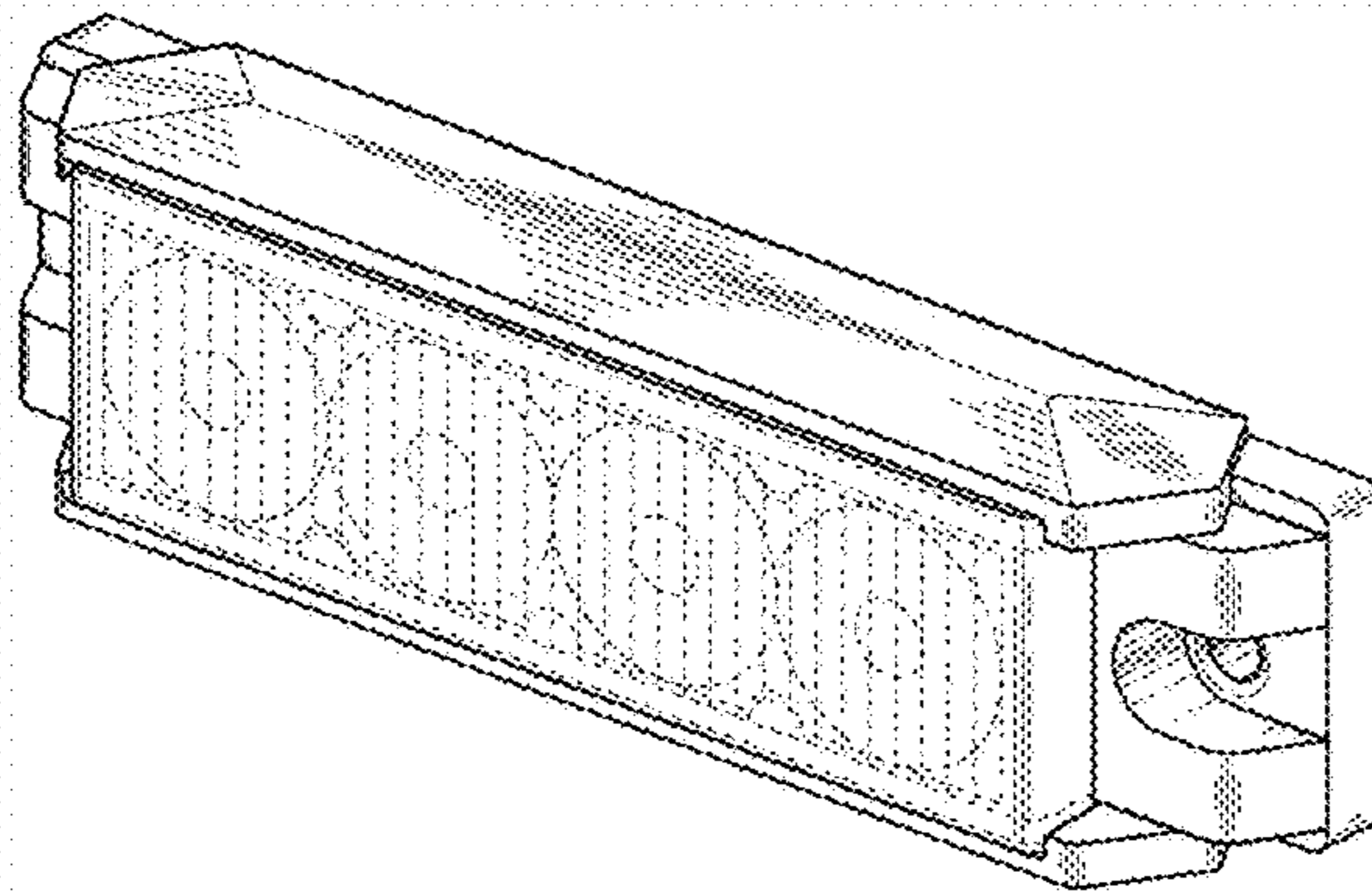


FIG. 9

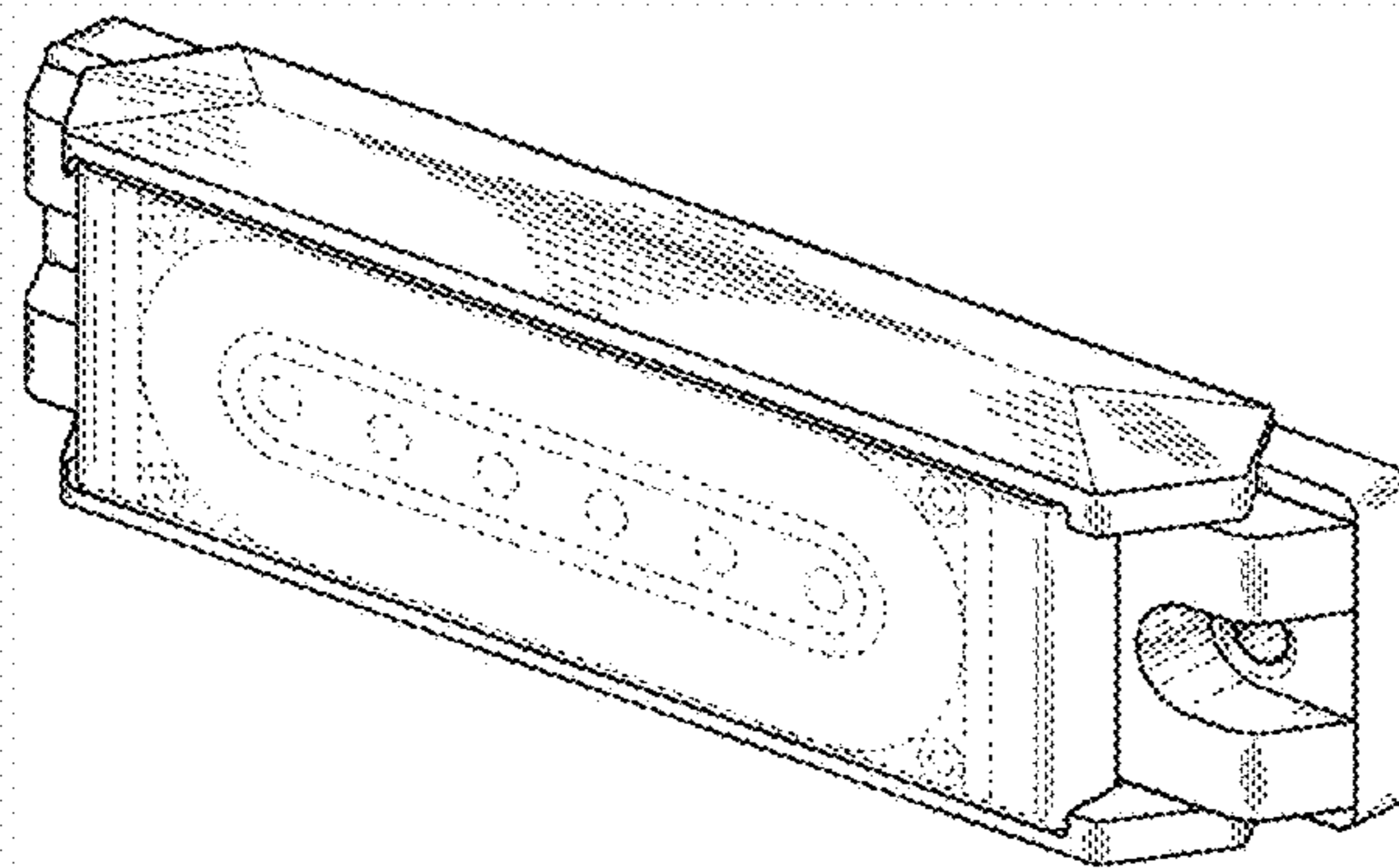


FIG. 10