



US00D873691S

(12) **United States Design Patent**  
**Goltche**

(10) **Patent No.:** **US D873,691 S**

(45) **Date of Patent:** **\*\* Jan. 28, 2020**

(54) **LED LENS**

(71) Applicant: **Yehuda Goltche**, Great Neck, NY (US)

(72) Inventor: **Yehuda Goltche**, Great Neck, NY (US)

(\*\*) Term: **15 Years**

(21) Appl. No.: **29/650,675**

(22) Filed: **Jun. 8, 2018**

**Related U.S. Application Data**

(63) Continuation-in-part of application No. 29/605,476, filed on May 26, 2017, now Pat. No. Des. 832,125.

(51) **LOC (12) Cl.** ..... **10-05**

(52) **U.S. Cl.**  
USPC ..... **D10/114.1**

(58) **Field of Classification Search**  
USPC ..... D10/104.1, 109.1, 109.2, 110, 111,  
D10/114.1–114.8; D12/401, 406, 412,  
D12/414, 190; D26/28, 35, 36, 102, 104,  
D26/118, 120, 122  
CPC ..... F21S 41/151; B60Q 1/2611  
See application file for complete search history.

(56) **References Cited**

**U.S. PATENT DOCUMENTS**

- D221,106 S \* 7/1971 Tixler ..... D26/28
- D246,131 S \* 10/1977 Schifrin ..... D26/28
- D375,180 S \* 10/1996 Lyons ..... D10/114.1
- D614,062 S \* 4/2010 Shin ..... D10/114.1
- D614,063 S \* 4/2010 Shin ..... D10/114.1
- D618,572 S \* 6/2010 Shin ..... D10/114.1
- D792,640 S \* 7/2017 Deyaf ..... D26/124
- D796,710 S \* 9/2017 Deyaf ..... D26/28

- D797,359 S \* 9/2017 Deyaf ..... D26/120
- D797,360 S \* 9/2017 Deyaf ..... D26/120
- D797,361 S \* 9/2017 Deyaf ..... D26/120
- D797,363 S \* 9/2017 Deyaf ..... D26/120
- D797,365 S \* 9/2017 Deyaf ..... D26/120

\* cited by examiner

*Primary Examiner* — George D. Kirschbaum

*Assistant Examiner* — Joseph J Kukella

(74) *Attorney, Agent, or Firm* — Dunlap Bennett & Ludwig PLLC

(57) **CLAIM**

The ornamental design for a LED lens, as shown and described.

**DESCRIPTION**

FIG. 1 is a top perspective view of a LED lens, showing my new design;

FIG. 2 is a front elevation view thereof, the rear elevation view being an identical image thereof;

FIG. 3 is a left elevation view thereof, the right elevation view being an identical image thereof;

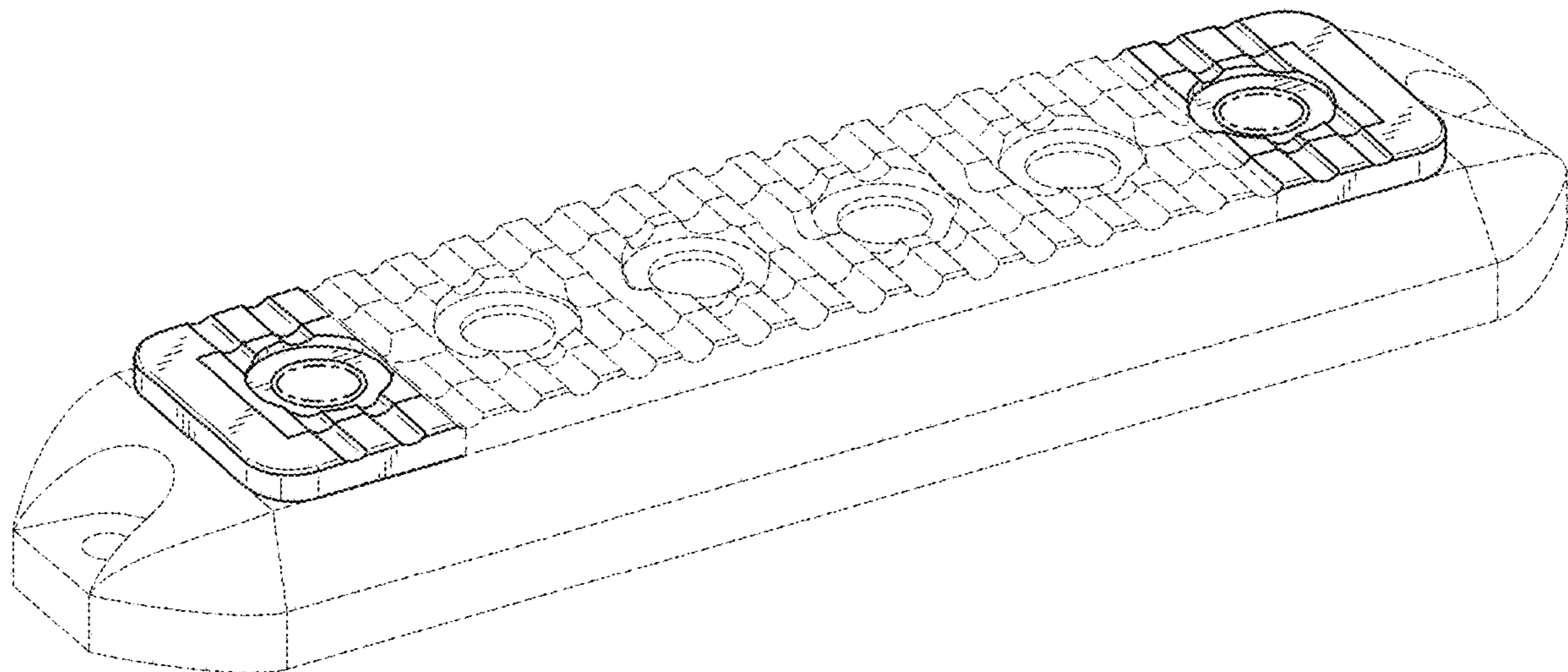
FIG. 4 is a top plan view thereof;

FIG. 5 is a bottom plan view thereof; and,

FIG. 6 is a greatly enlarged detail perspective of FIG. 3, taken along line 6-6.

The broken lines consisting of evenly sized broken lines in the drawings depict portions of the LED lens that form no part of the claimed design, while the broken lines consisting of unevenly sized dash-dot-dash lines in the drawings depict the boundary of the claimed invention and it is understood that the claim extends to the boundary that forms no part of the claimed design.

**1 Claim, 4 Drawing Sheets**



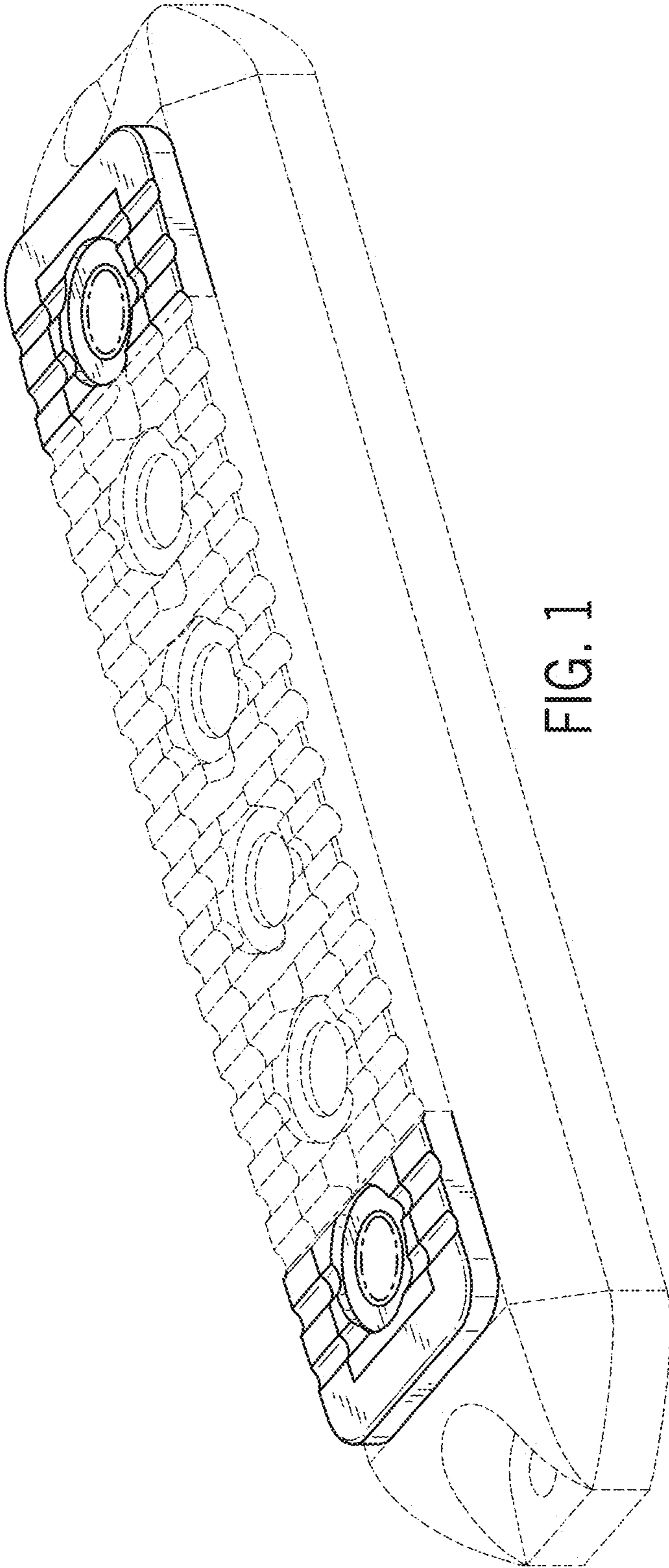


FIG. 1



FIG. 2

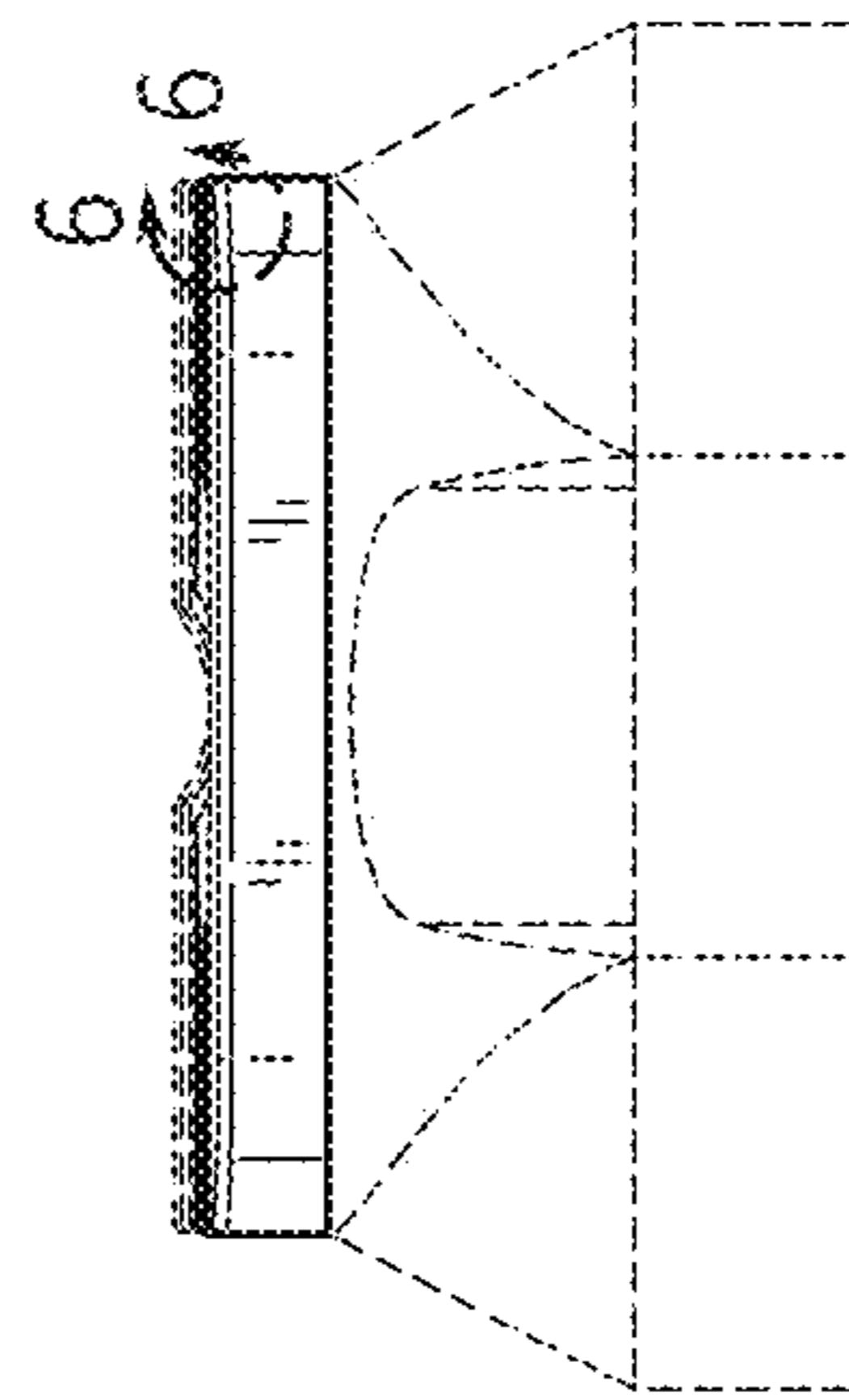


FIG. 3

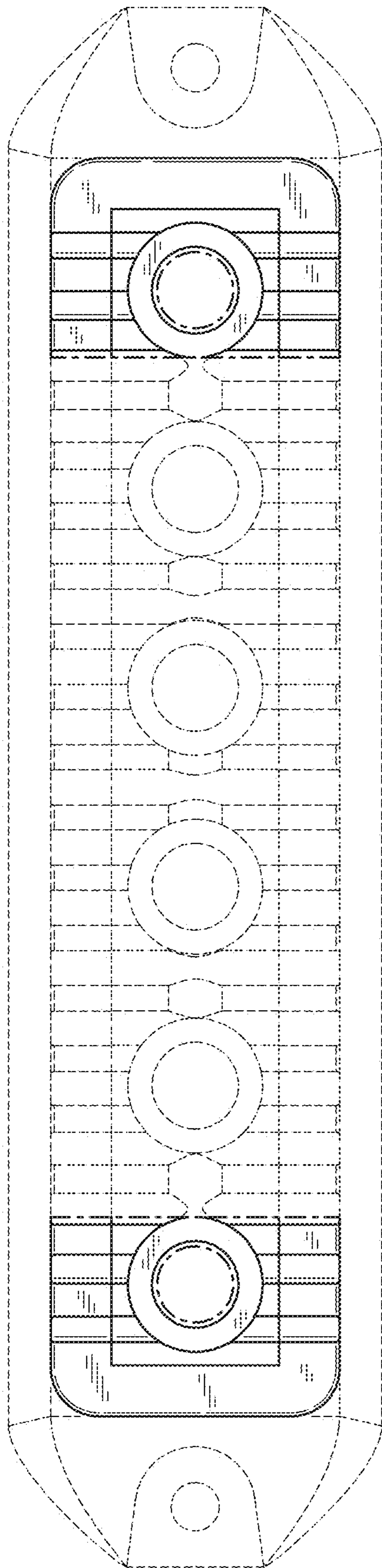


FIG. 4

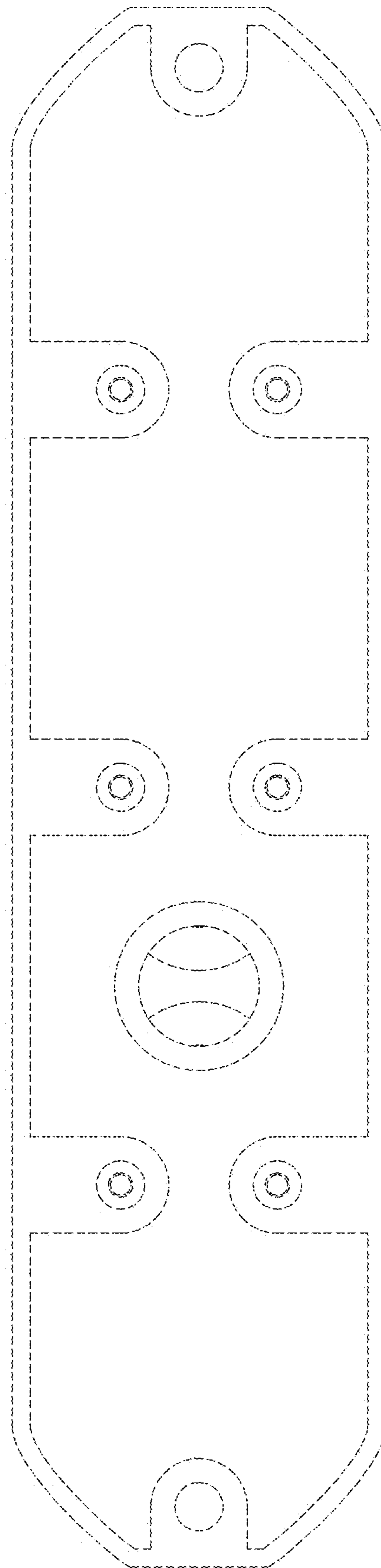


FIG. 5

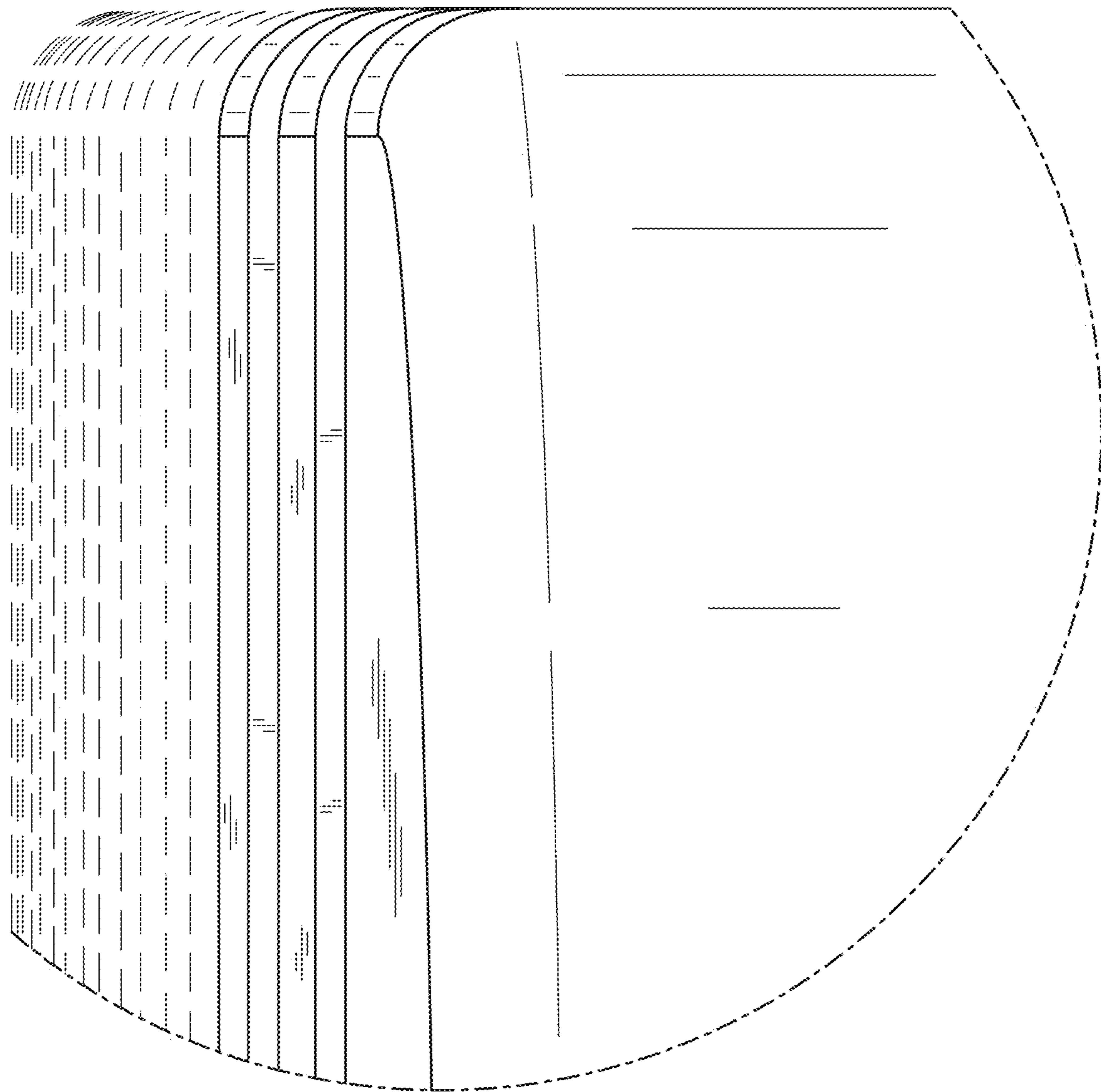


FIG. 6