



US00D873690S

(12) **United States Design Patent** (10) **Patent No.:** **US D873,690 S**
Worden et al. (45) **Date of Patent:** **** Jan. 28, 2020**

(54) **SENSOR ASSEMBLY**

(56) **References Cited**

(71) Applicant: **GE Global Sourcing LLC**, Norwalk, CT (US)
(72) Inventors: **Bret Worden**, Erie, PA (US); **Jingjun Zhang**, Lawrence Park, PA (US); **David Petersen**, Erie, PA (US)
(73) Assignee: **GE GLOBAL SOURCING LLC**, Norwalk, CT (US)
(**) Term: **15 Years**
(21) Appl. No.: **29/672,581**
(22) Filed: **Dec. 6, 2018**

U.S. PATENT DOCUMENTS

D218,009 S * 7/1970 Bosack D10/103
D219,617 S * 12/1970 Swift et al. D10/103
D403,606 S * 1/1999 Paton, Jr. D10/103
7,787,330 B1 * 8/2010 Reid G01F 23/00
367/141

* cited by examiner

Primary Examiner — George D. Kirschbaum
(74) *Attorney, Agent, or Firm* — Christopher R. Carroll; The Small Patent Law Group, LLC

(57) **CLAIM**

The ornamental design for a sensor assembly, as shown and described.

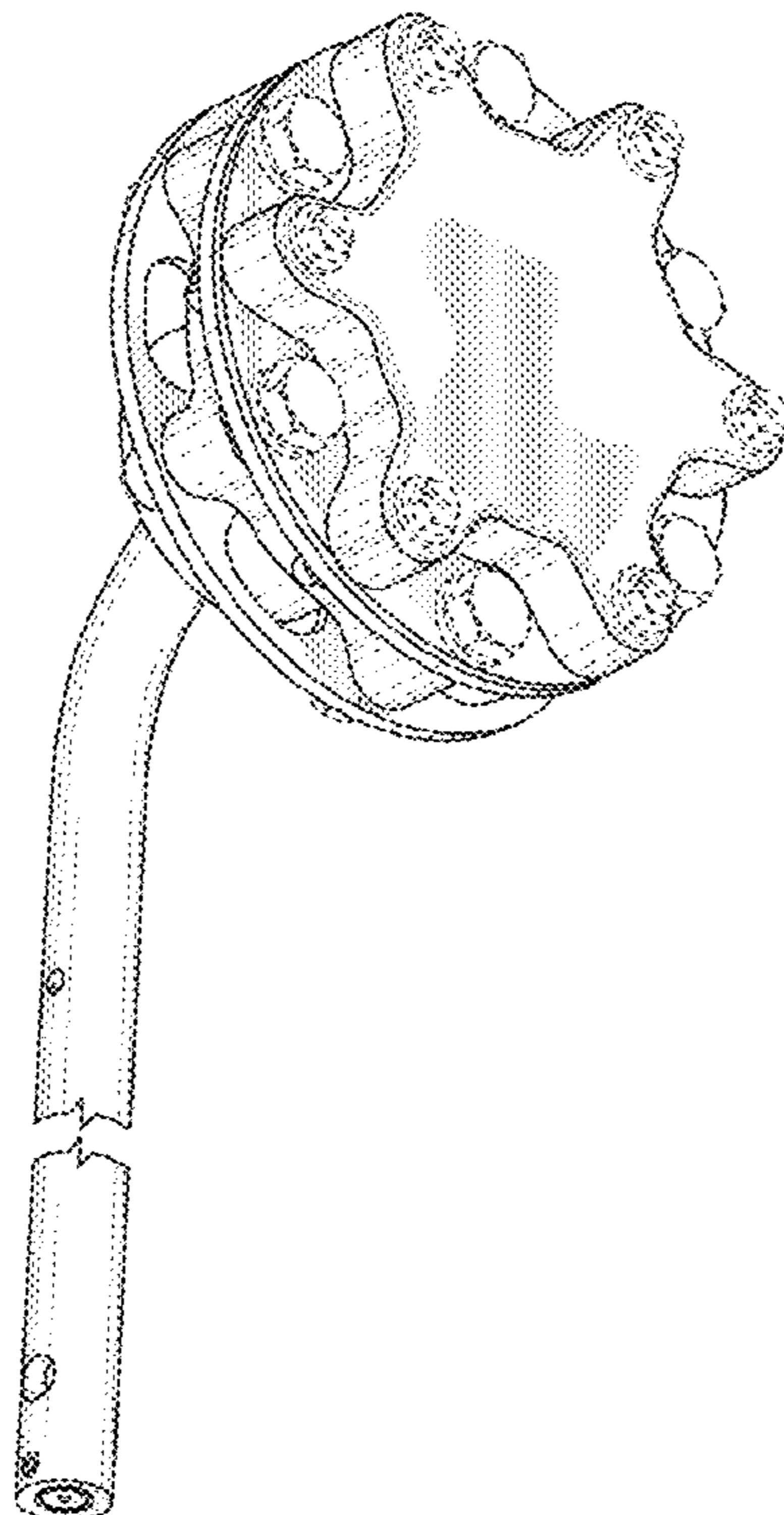
DESCRIPTION

FIG. 1 is a front perspective view of a sensor assembly according to our new design described herein;
FIG. 2 is a rear perspective view thereof;
FIG. 3 is a rear view thereof;
FIG. 4 is a front view thereof;
FIG. 5 is a left view thereof;
FIG. 6 is a right view thereof;
FIG. 7 is a top view thereof; and,
FIG. 8 is a bottom view thereof.
The broken lines depict portions of the sensor assembly which form no part of the claimed design.
The break lines in the drawings indicate that the appearance of any portion of the sensor assembly between the break lines forms no part of the claimed design.

Related U.S. Application Data

(60) Continuation of application No. 29/589,735, filed on Jan. 4, 2017, now Pat. No. Des. 842,150, which is a division of application No. 29/548,993, filed on Dec. 18, 2015, now Pat. No. Des. 778,189, which is a continuation-in-part of application No. 14/869,038, filed on Sep. 29, 2015.
(51) **LOC (12) Cl.** **10-04**
(52) **U.S. Cl.**
USPC **D10/103**
(58) **Field of Classification Search**
USPC D10/103, 99, 100, 104.1; D13/184
CPC G01F 23/00
See application file for complete search history.

1 Claim, 7 Drawing Sheets



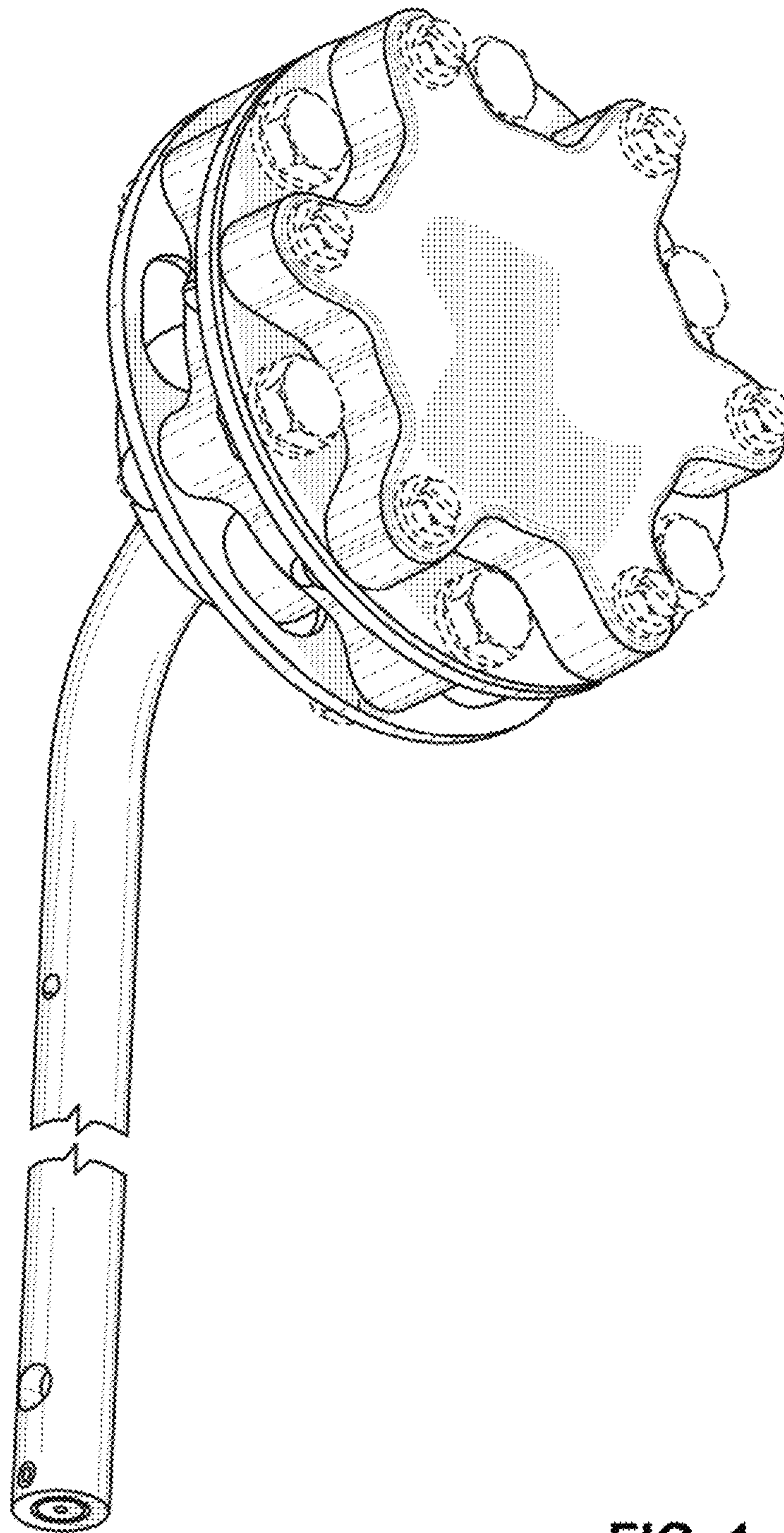


FIG. 1

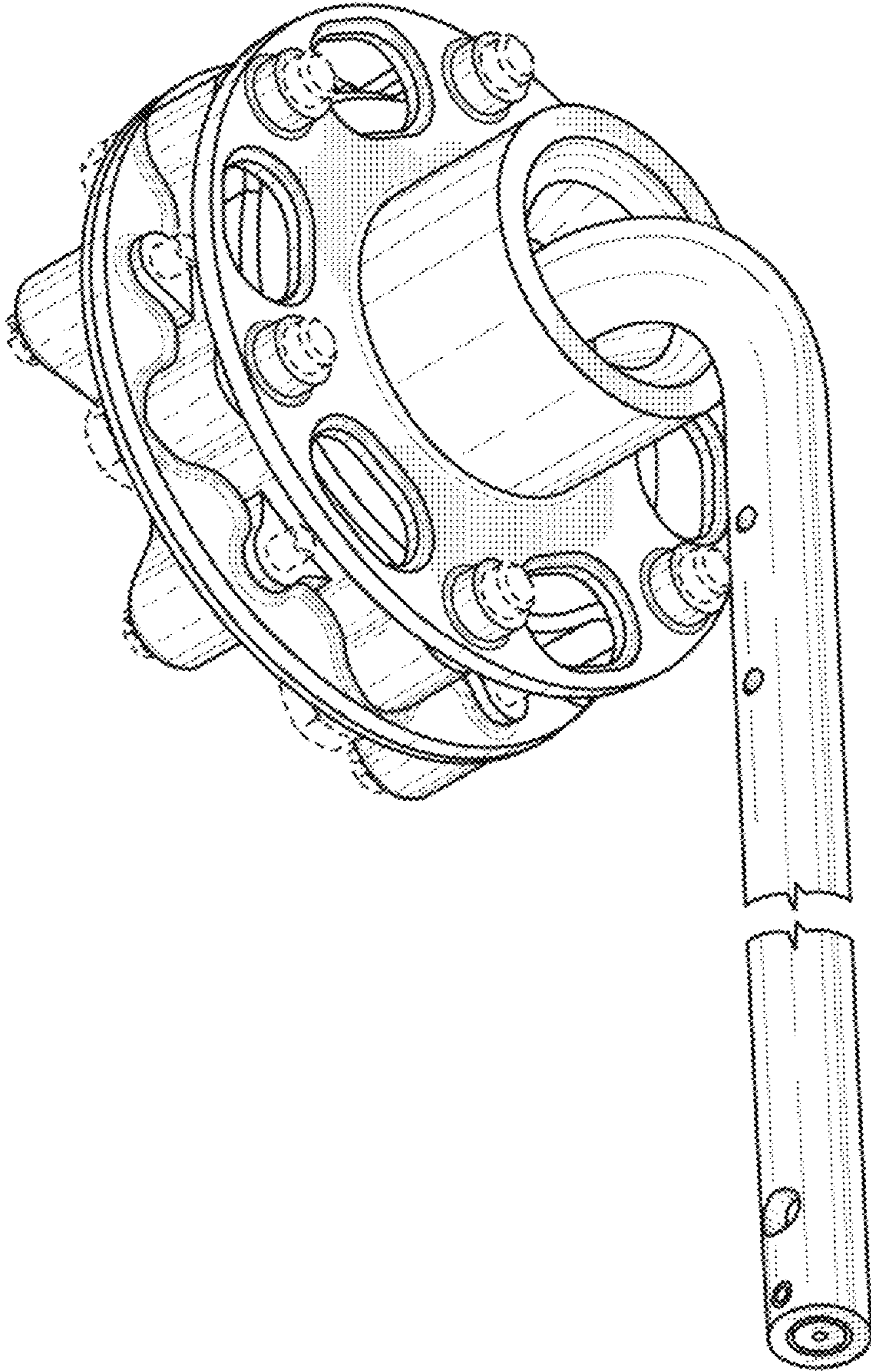


FIG. 2

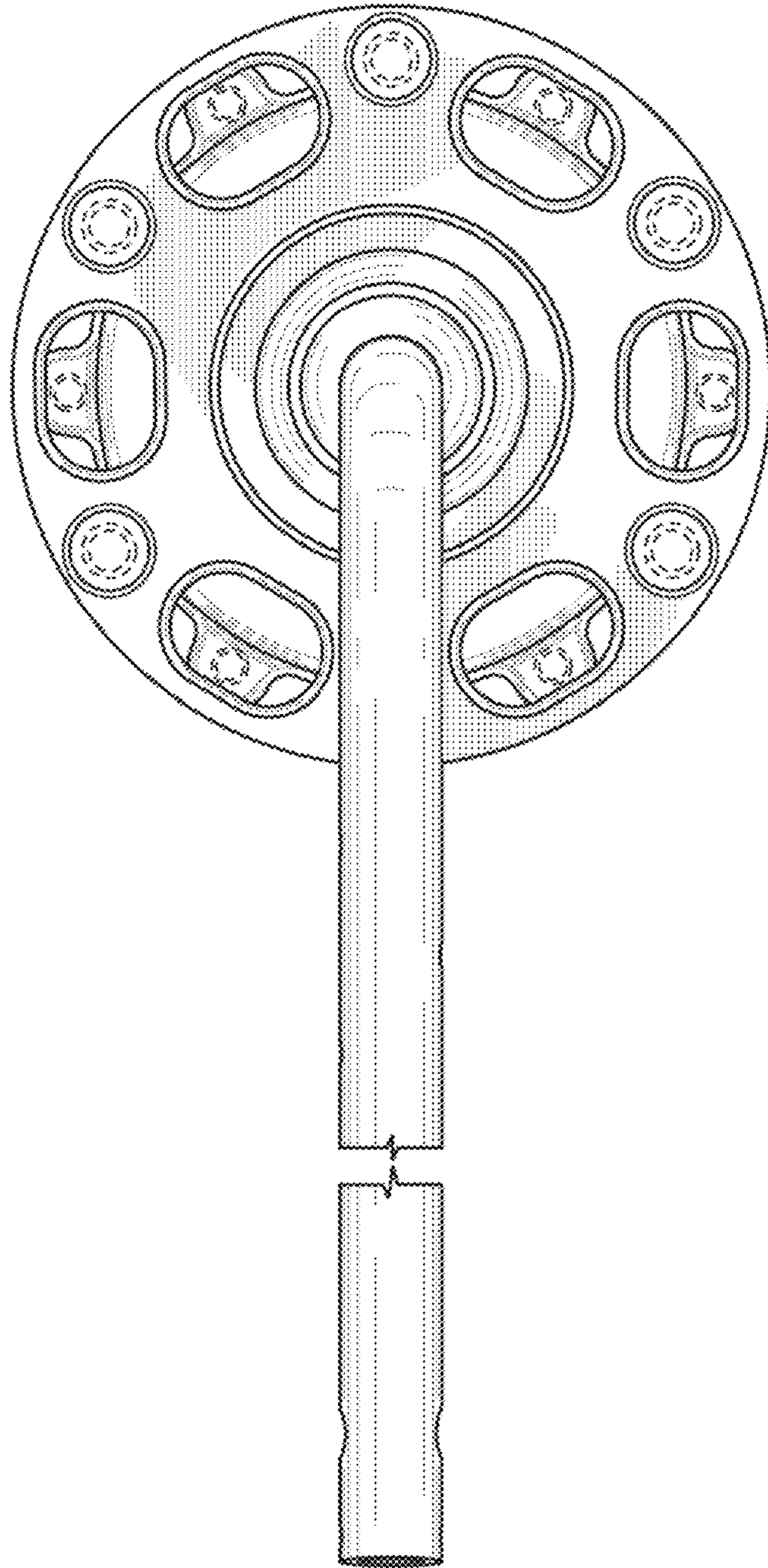


FIG. 3

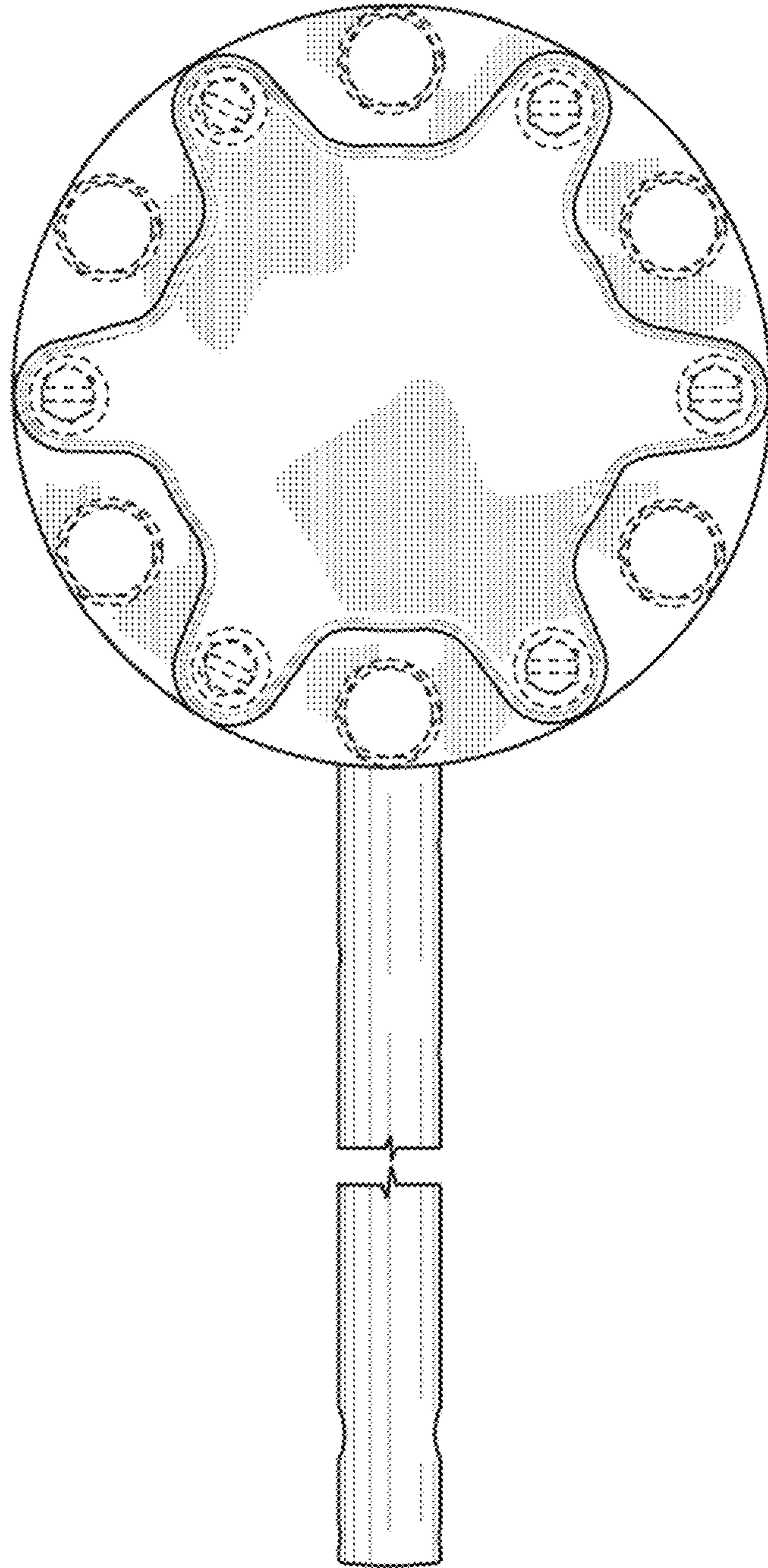


FIG. 4

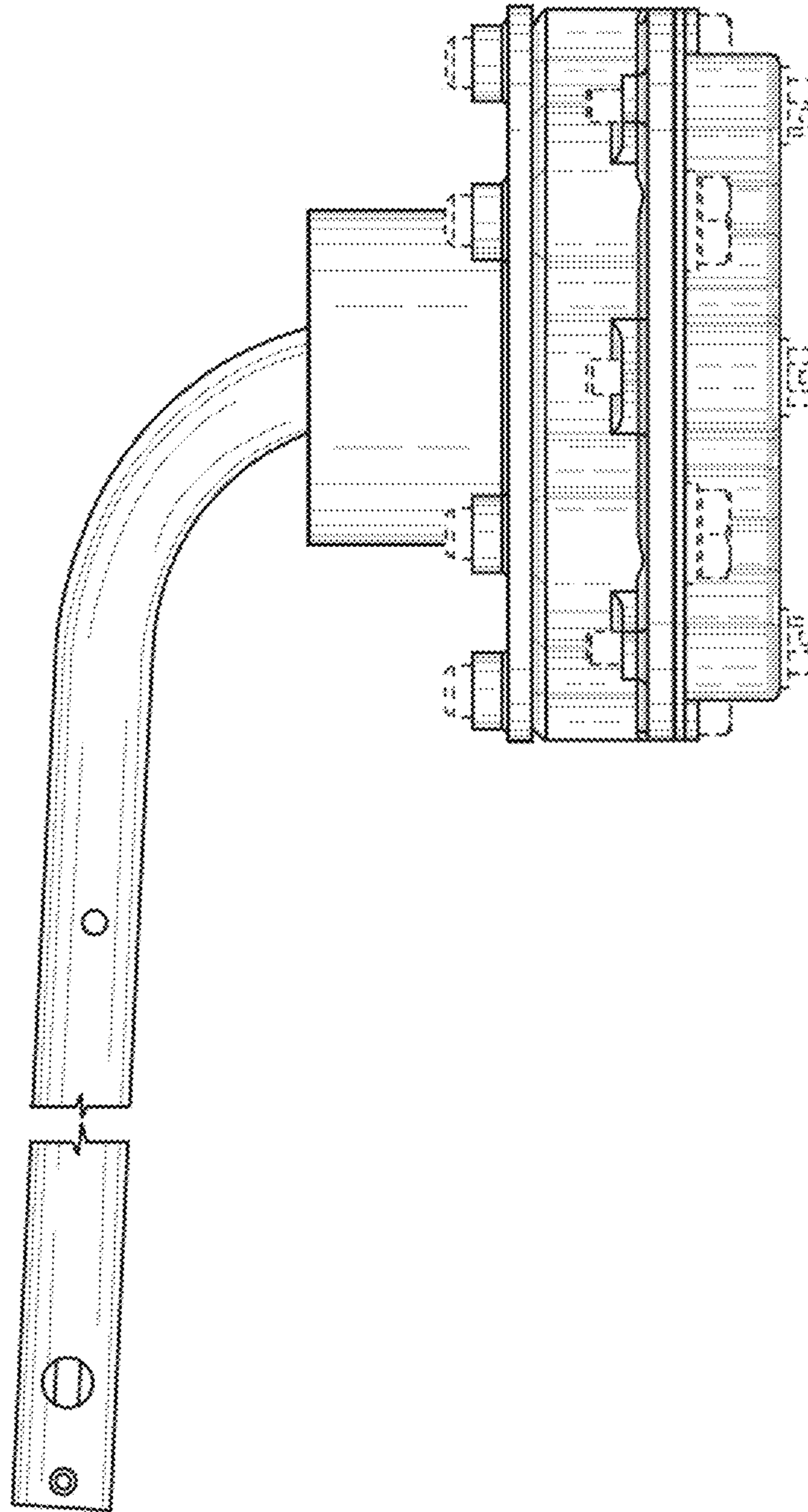


FIG. 5

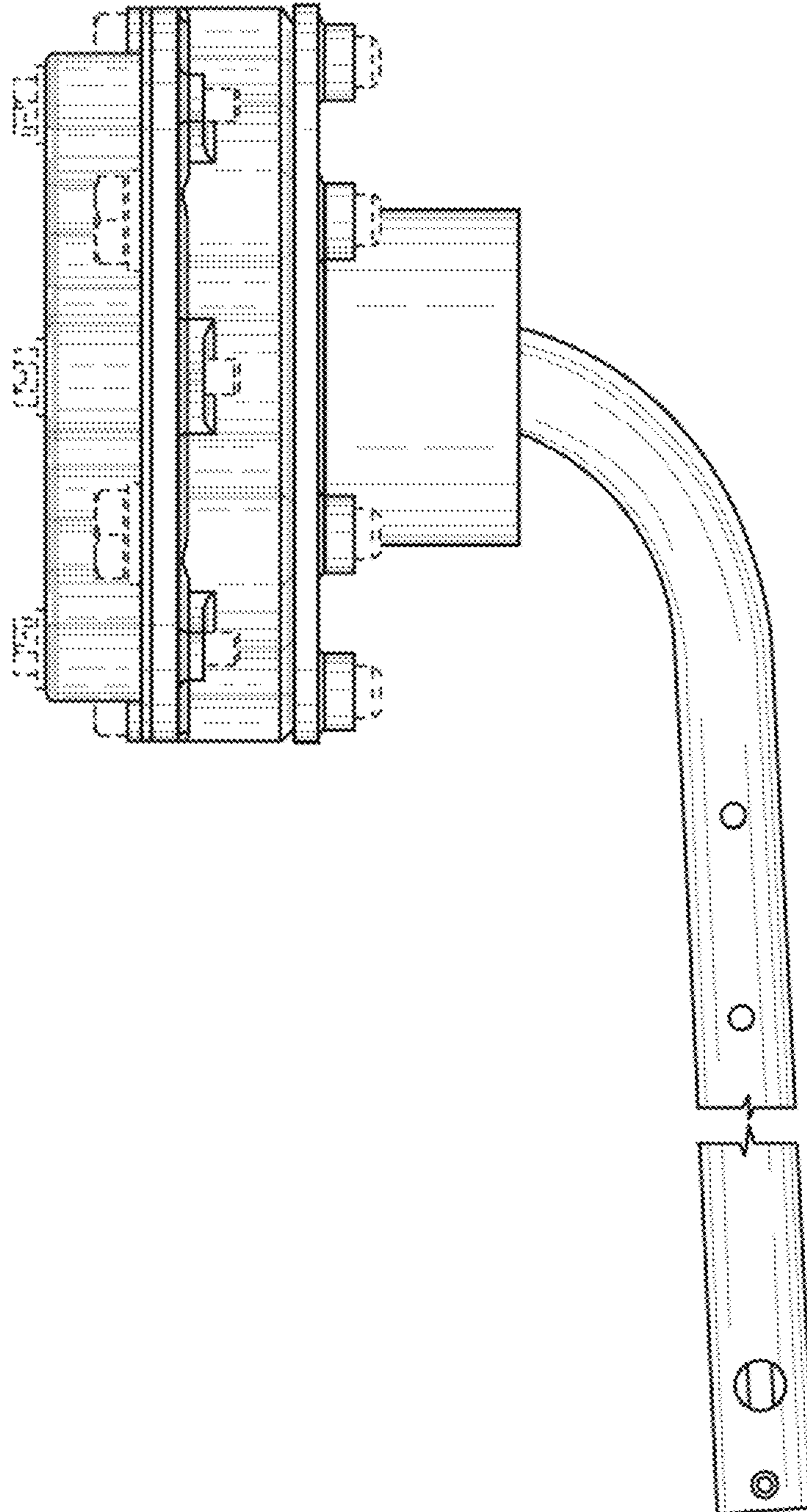


FIG. 6

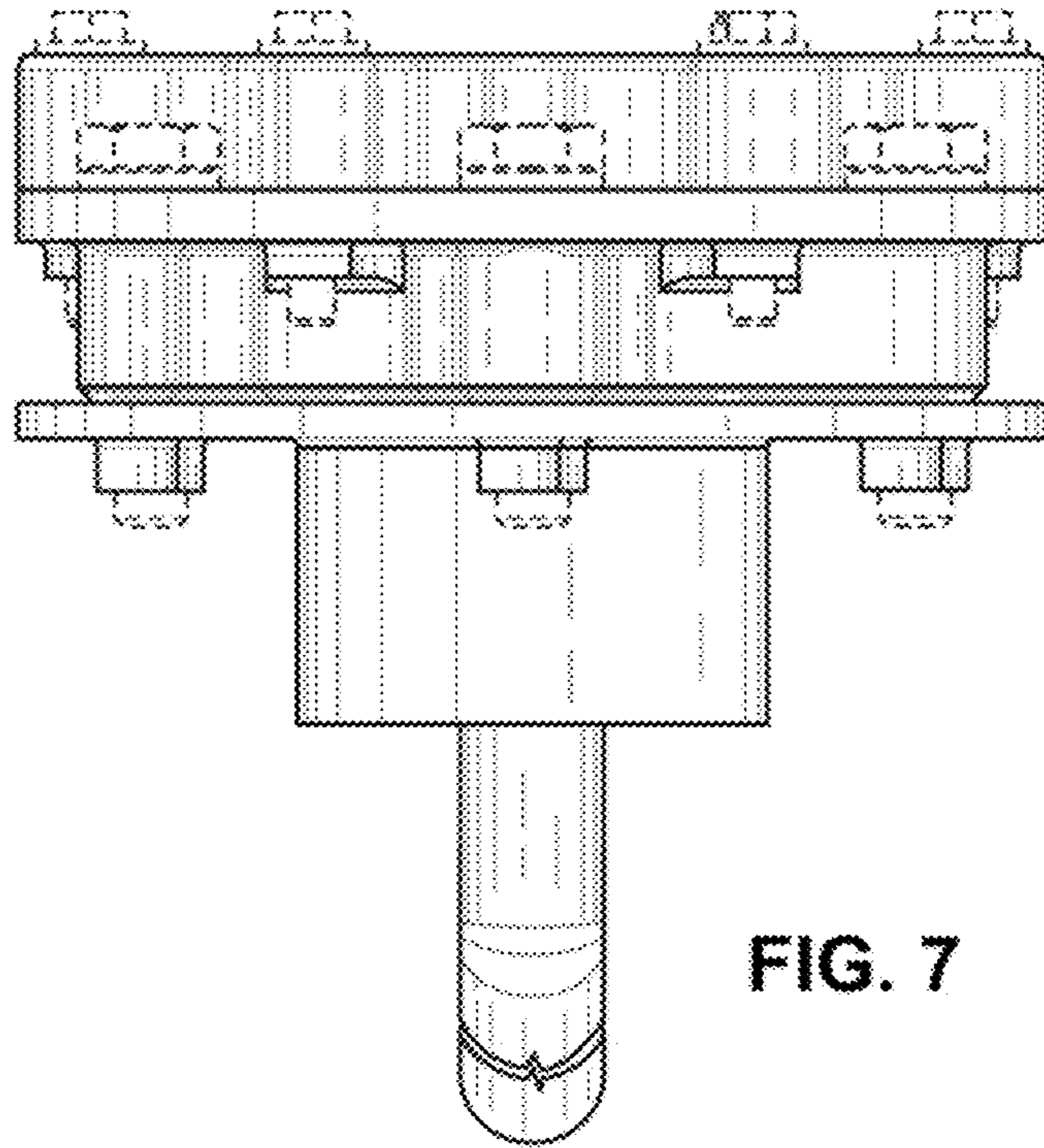


FIG. 7

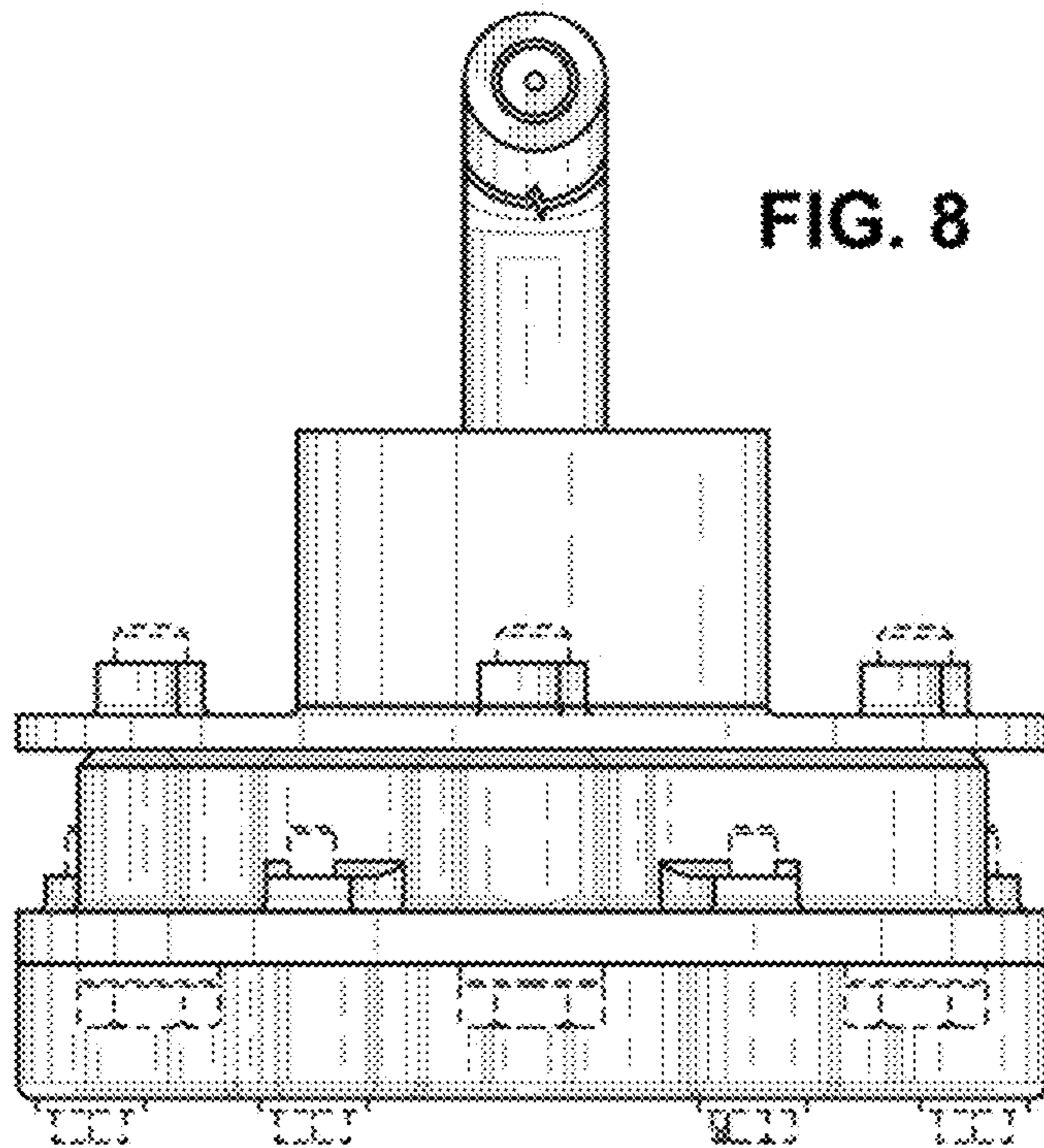


FIG. 8