



US00D873688S

(12) **United States Design Patent**  
**Fu**

(10) **Patent No.:** **US D873,688 S**

(45) **Date of Patent:** **\*\* Jan. 28, 2020**

(54) **BODY FAT SCALE**

(71) Applicant: **Liqiang Fu**, Shenzhen (CN)

(72) Inventor: **Liqiang Fu**, Shenzhen (CN)

(\*\*) Term: **15 Years**

(21) Appl. No.: **29/659,784**

(22) Filed: **Aug. 13, 2018**

(51) **LOC (12) Cl.** ..... **10-04**

(52) **U.S. Cl.**  
USPC ..... **D10/92**

(58) **Field of Classification Search**  
USPC ..... D10/91, 92  
CPC .... G01G 21/28; G01G 21/283; G01G 21/286;  
G01G 21/30; G01G 23/37; G01G  
23/3728; G01G 23/3735; G01G 19/44;  
G01G 19/445; G01G 19/46; G01G 19/48;  
G01G 19/50; G01G 21/44  
See application file for complete search history.

(56) **References Cited**

**U.S. PATENT DOCUMENTS**

D526,230 S \* 8/2006 Aglassinger ..... D10/92  
D686,518 S \* 7/2013 Kaiser ..... D10/91

D778,747 S \* 2/2017 Lebrat ..... D10/92  
D796,361 S \* 9/2017 Bihan ..... D10/92  
D801,837 S \* 11/2017 Tsai ..... D10/91  
D805,937 S \* 12/2017 Chang ..... D10/92  
D808,287 S \* 1/2018 Liang ..... D10/92  
D808,288 S \* 1/2018 Yu ..... D10/92  
D845,801 S \* 4/2019 Lee ..... D10/91  
D850,312 S \* 6/2019 Yang ..... D10/92

\* cited by examiner

*Primary Examiner* — Antoine Duval Davis

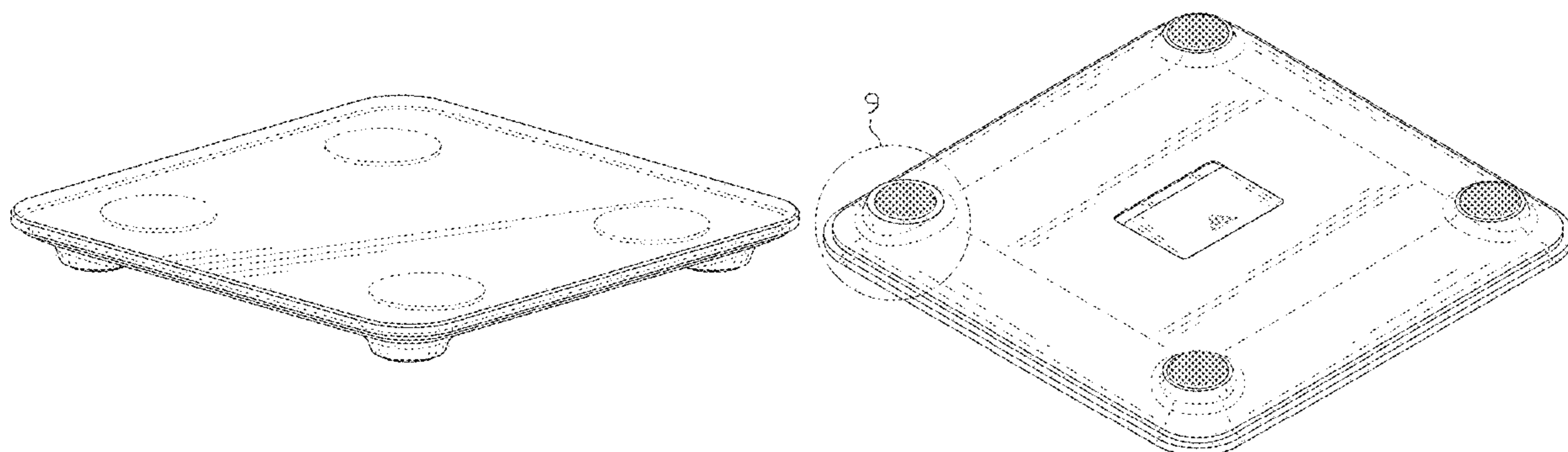
(57) **CLAIM**

The ornamental design for a body fat scale, as shown and described.

**DESCRIPTION**

FIG. 1 is a perspective view of the body fat scale showing my new design;  
FIG. 2 is another perspective view thereof;  
FIG. 3 is a front elevational view thereof;  
FIG. 4 is a rear elevational view thereof;  
FIG. 5 is a left side elevational view thereof;  
FIG. 6 is a right side elevational view thereof;  
FIG. 7 is a top plan view thereof;  
FIG. 8 is a bottom plan view thereof; and,  
FIG. 9 is an enlarged view of a circle portion 9 of FIG. 2.  
The broken lines are for the purposes of illustrating portions of the body fat scale and form no part of the claimed design.

**1 Claim, 9 Drawing Sheets**



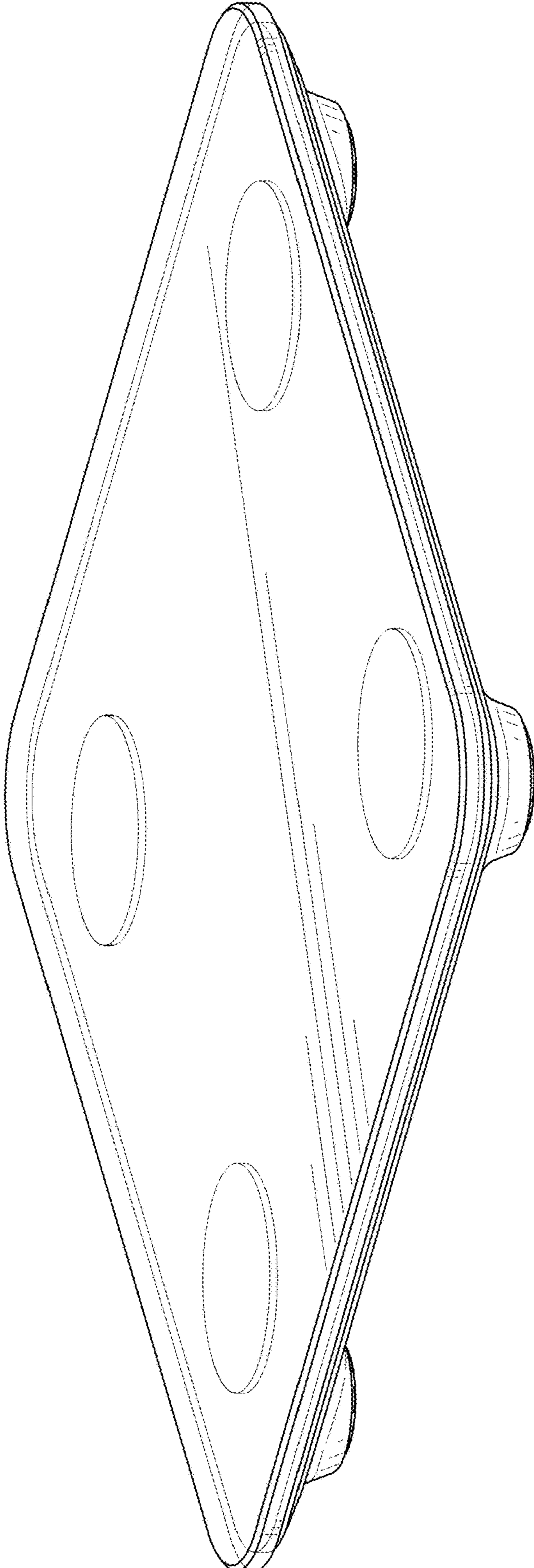


FIG. 1

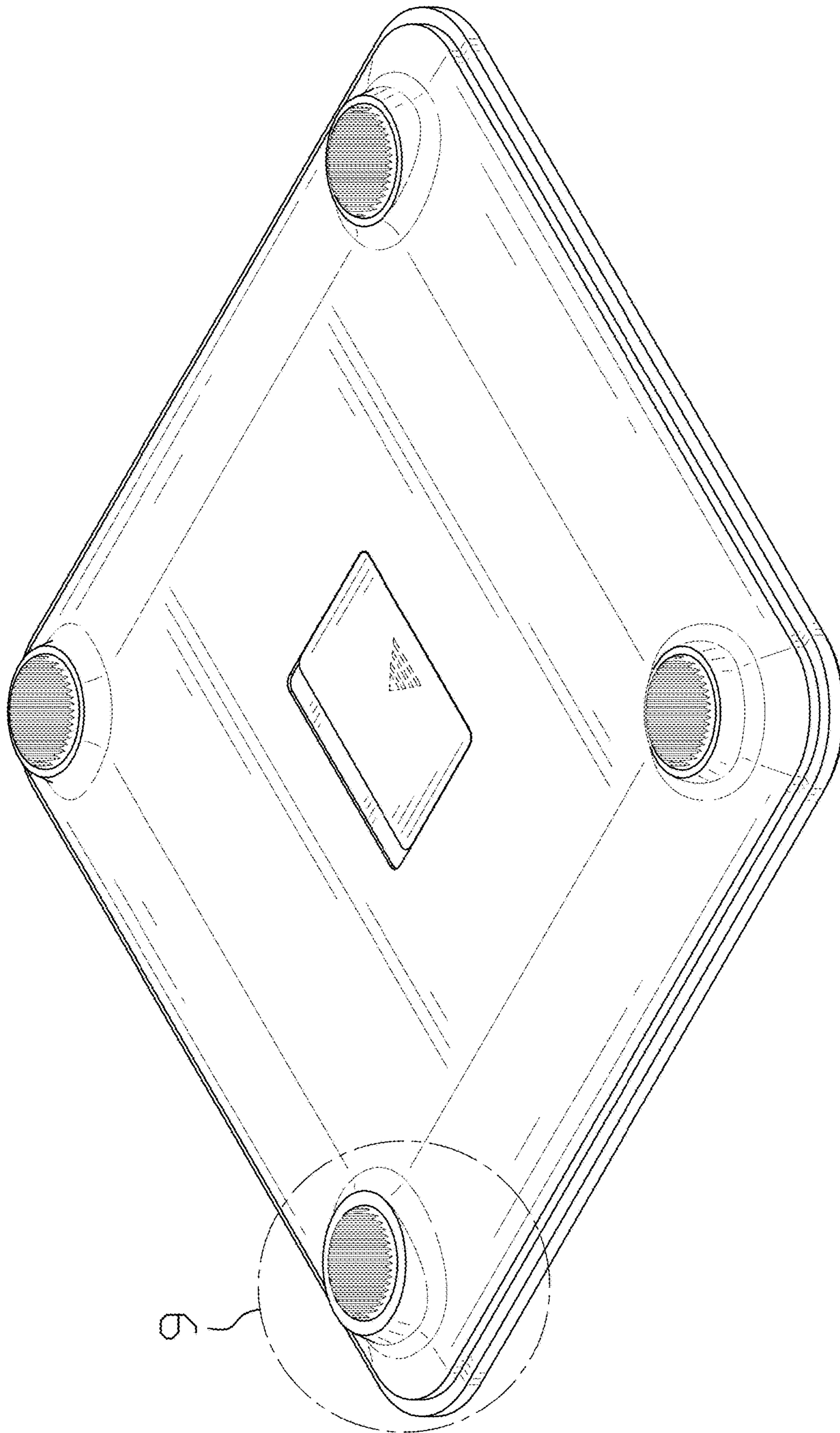


FIG. 2

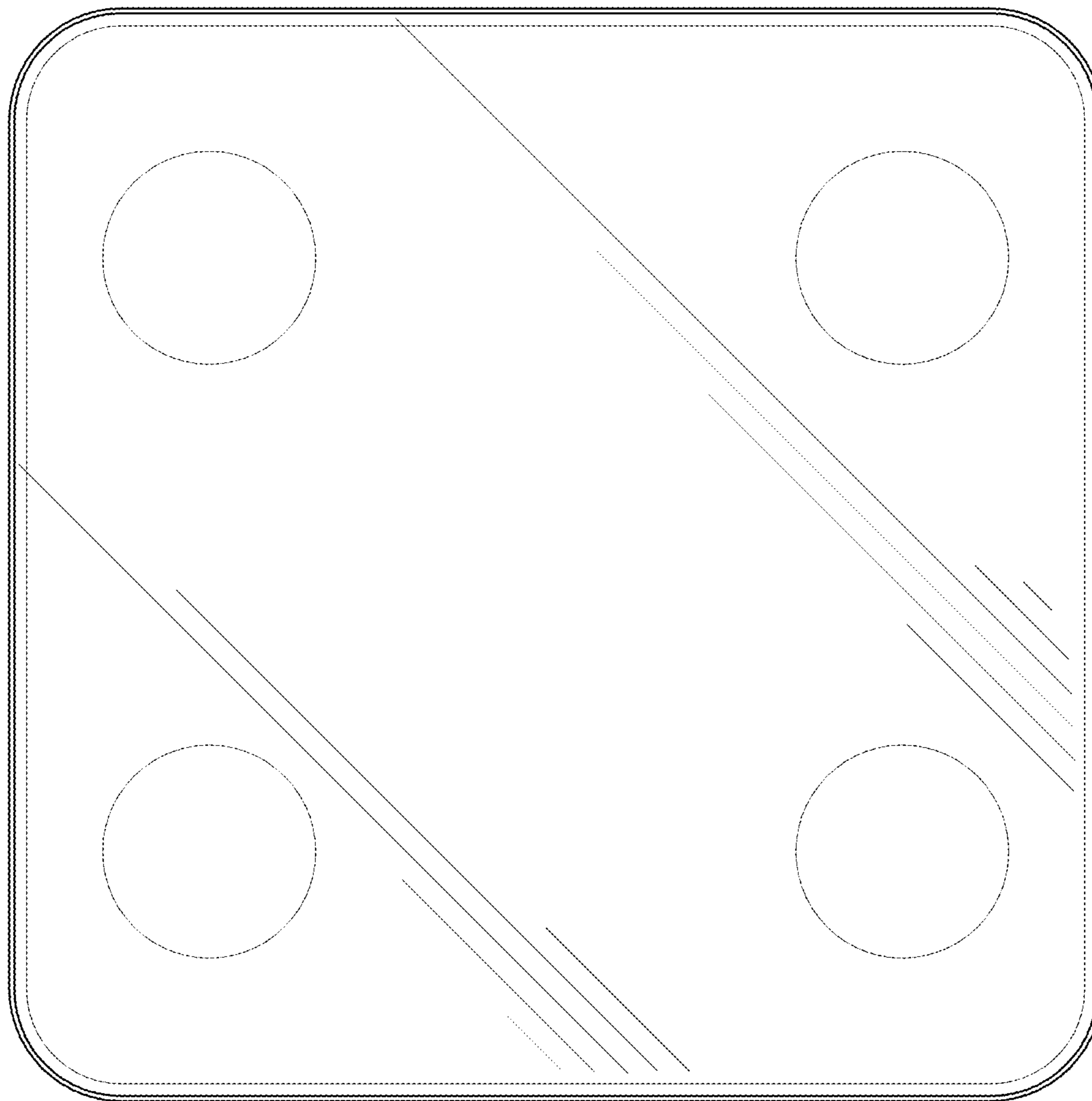


FIG. 3

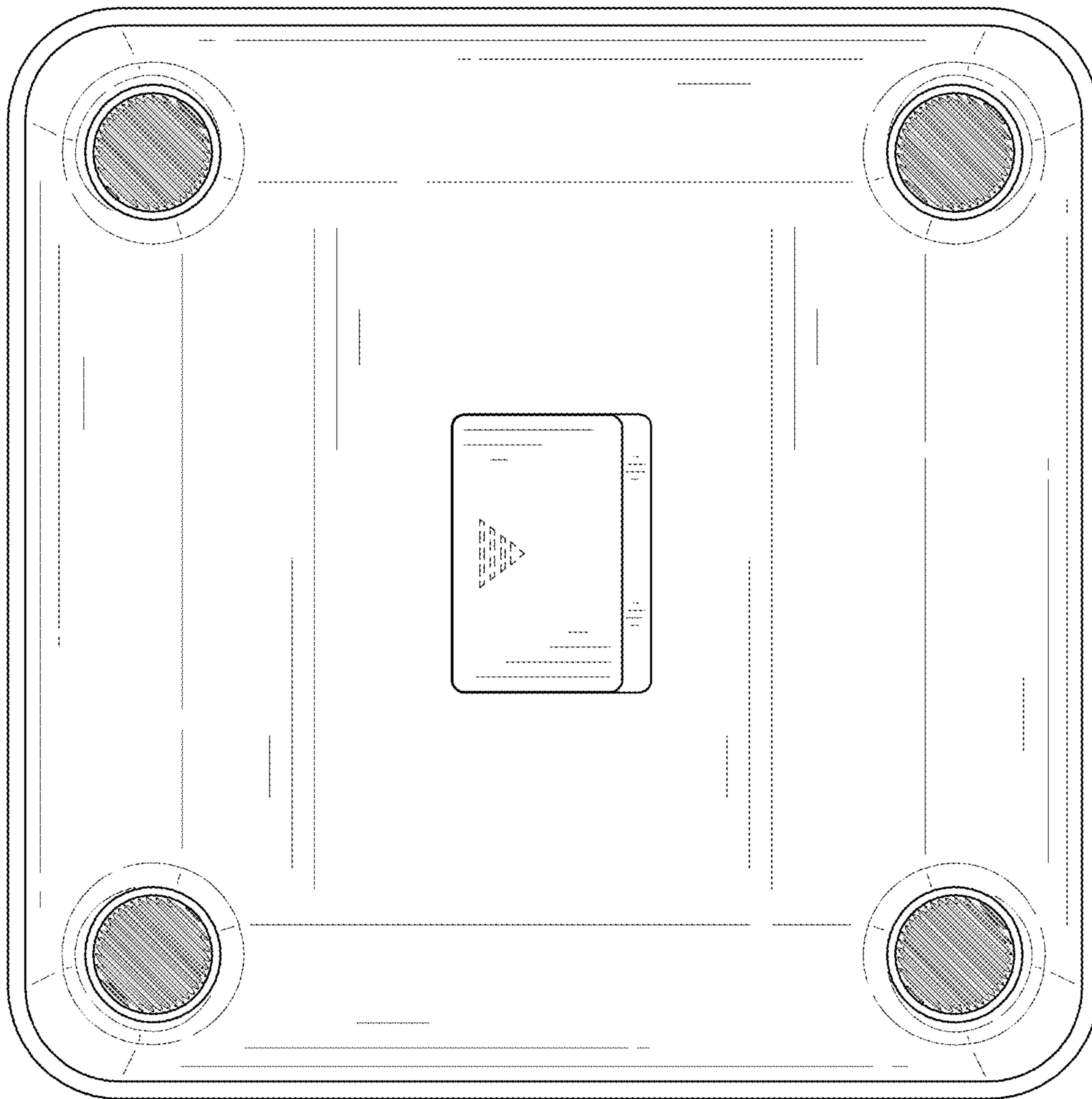


FIG. 4

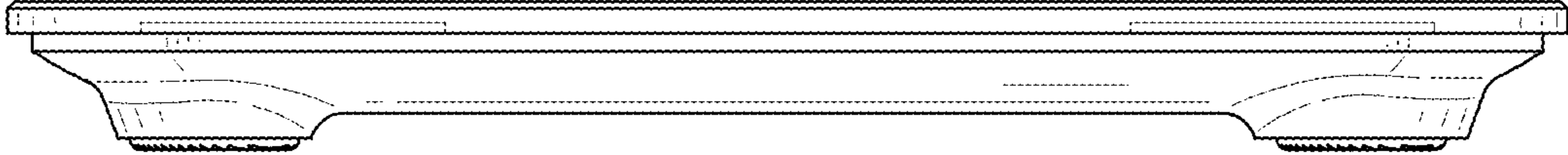


FIG. 5

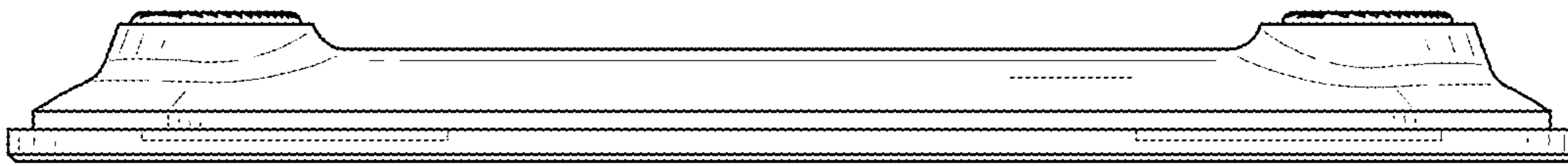


FIG. 6

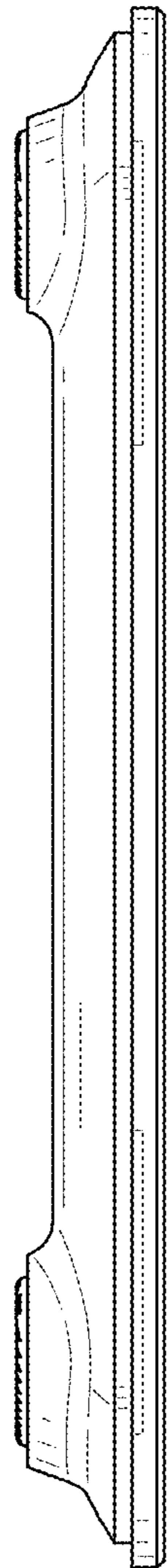


FIG. 7



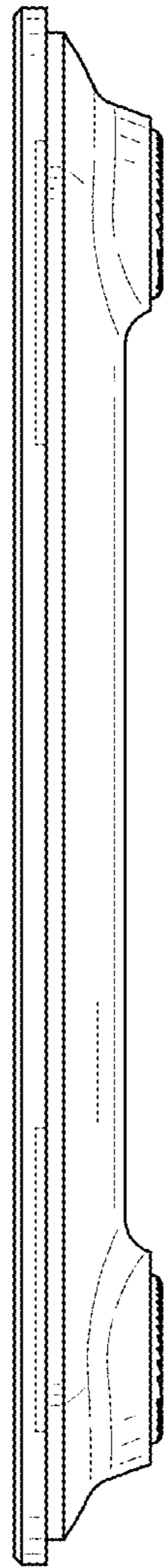


FIG. 8

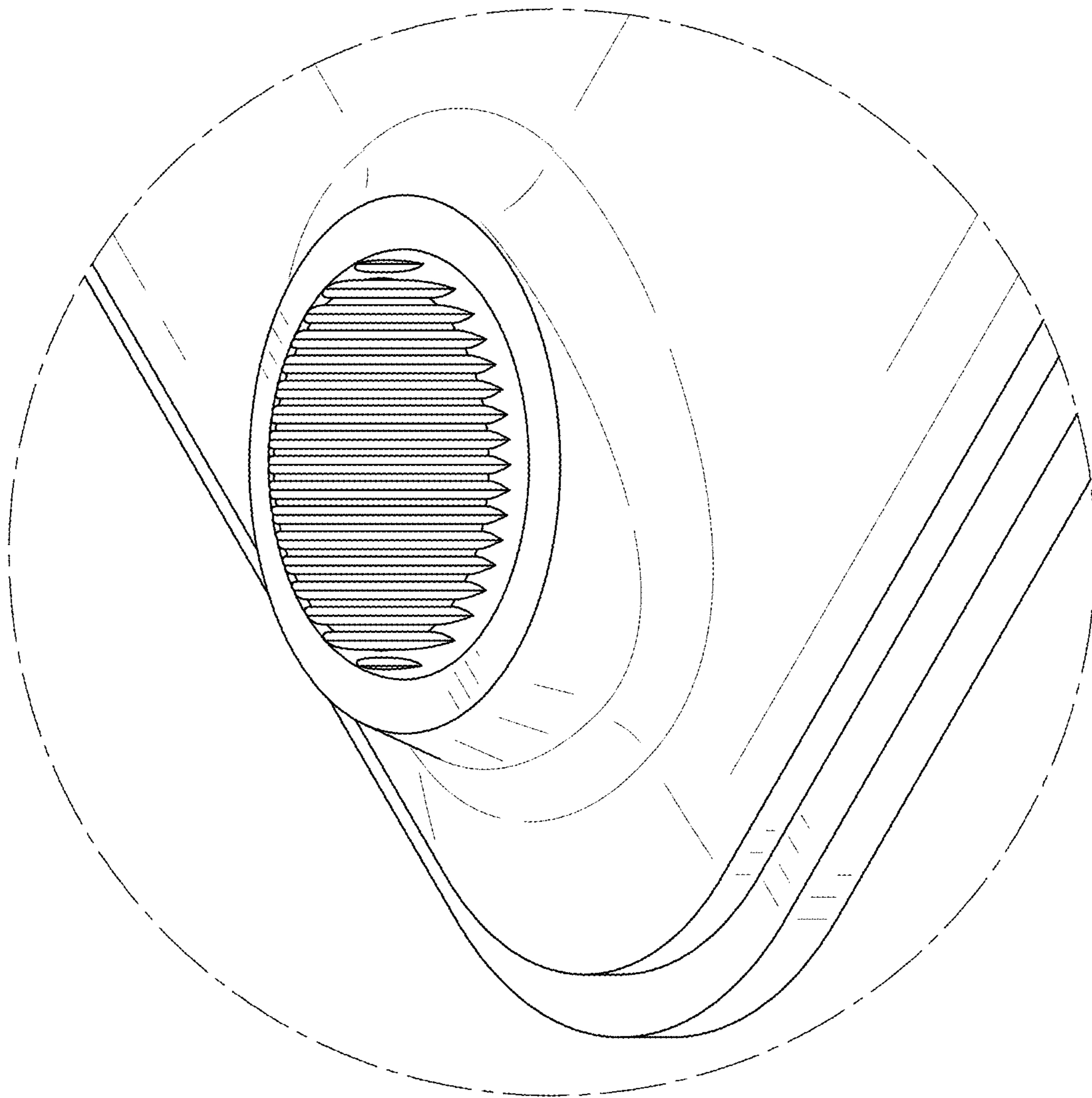


FIG. 9