



US00D873687S

(12) **United States Design Patent** (10) **Patent No.:** **US D873,687 S**  
**Prevoteau et al.** (45) **Date of Patent:** **\*\* Jan. 28, 2020**

(54) **OPTICAL SENSOR**

(71) Applicant: **SOMFY ACTIVITES SA**, Cluses (FR)

(72) Inventors: **Mathieu Prevoteau**, Cran Gevrier (FR);  
**Thomas Desagre**, Cluses (FR)

(73) Assignee: **SOMFY ACTIVITES SA**, Cluses (FR)

(\*\*) Term: **15 Years**

(21) Appl. No.: **35/506,084**

(22) Filed: **Oct. 8, 2018**

(80) **Hague Agreement Data**

Int. Filing Date: **Oct. 8, 2018**

Int. Reg. No.: **DM/103647**

Int. Reg. Date: **Oct. 8, 2018**

Int. Reg. Pub. Date: **Nov. 23, 2018**

(30) **Foreign Application Priority Data**

Apr. 13, 2018 (EM) ..... 005233459

(51) **LOC (12) Cl.** ..... **10-04**

(52) **U.S. Cl.**  
USPC ..... **D10/81**

(58) **Field of Classification Search**  
USPC ..... D10/106.2, 81; D16/203, 130; D24/169  
See application file for complete search history.

(56) **References Cited**

U.S. PATENT DOCUMENTS

D600,264 S *	9/2009	Baumgartner	.....	D16/203
D623,302 S *	9/2010	Barrett	.....	D24/169
D724,462 S *	3/2015	Bould	.....	D10/106.2
D763,938 S *	8/2016	Muehlemann	.....	D16/130
D773,949 S *	12/2016	Bolger	.....	D10/106.2
D842,154 S *	3/2019	Dimitriadis	.....	D10/106.2
D852,662 S *	7/2019	Zhong	.....	D10/81

\* cited by examiner

*Primary Examiner* — George D. Kirschbaum

(74) *Attorney, Agent, or Firm* — Stephen J. Weyer, Esq.;  
Stites & Harbison, PLLC

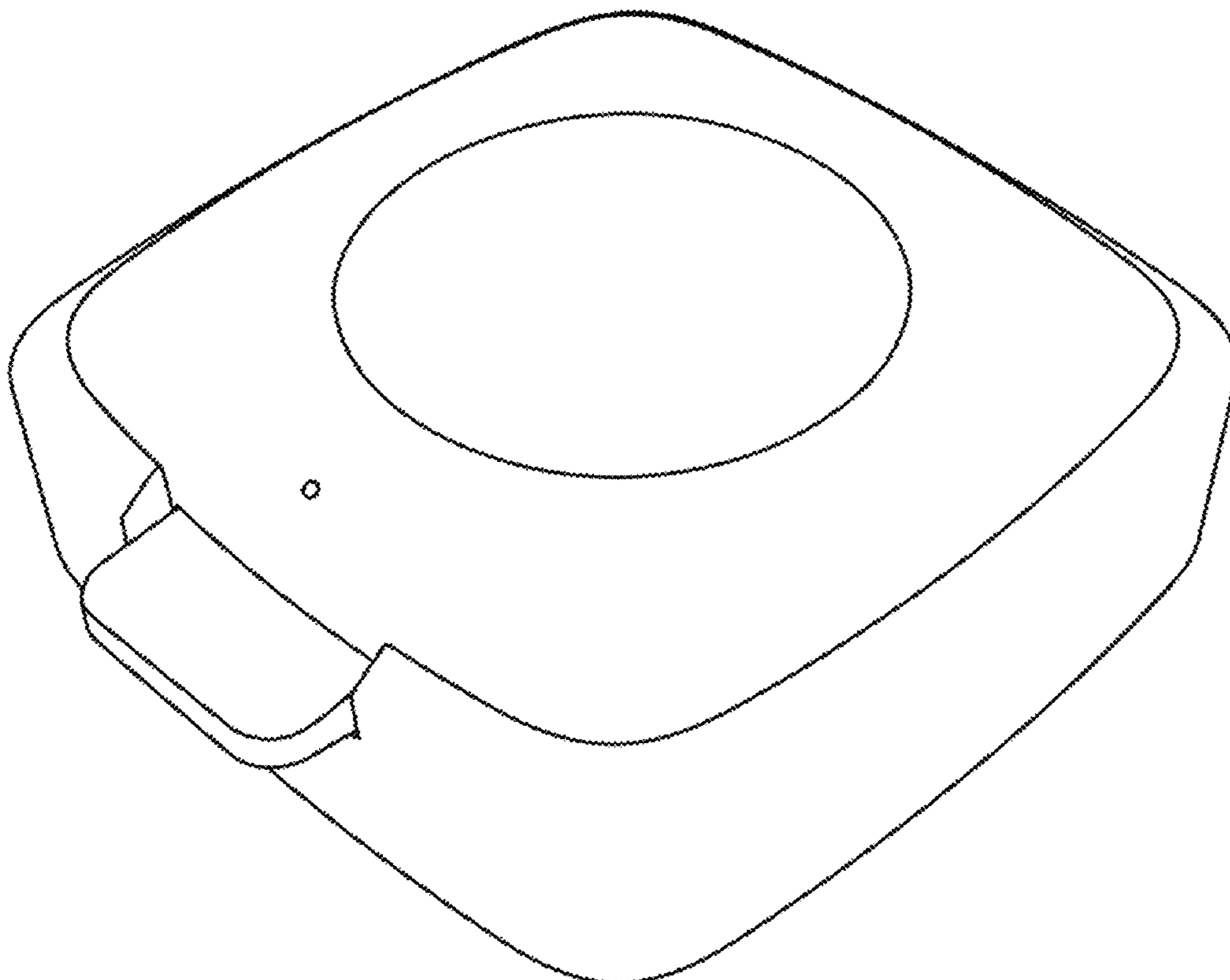
(57) **CLAIM**

The ornamental design for an optical sensor, as shown and described.

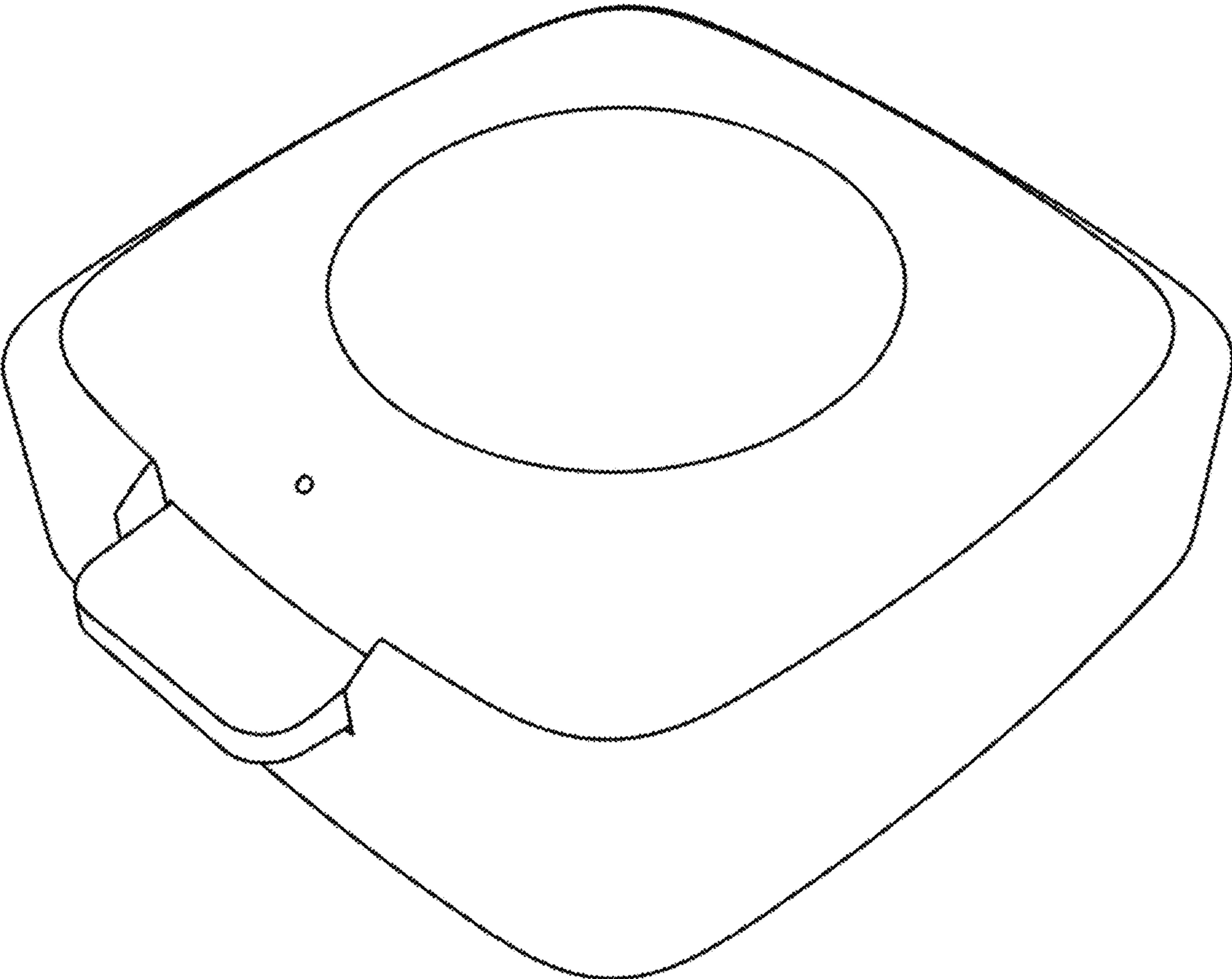
**DESCRIPTION**

- 1. Optical sensor
- 1.1 : Perspective
- 1.2 : Front
- 1.3 : Back
- 1.4 : Left
- 1.5 : Right
- 1.6 : Top
- 1.7 : Bottom

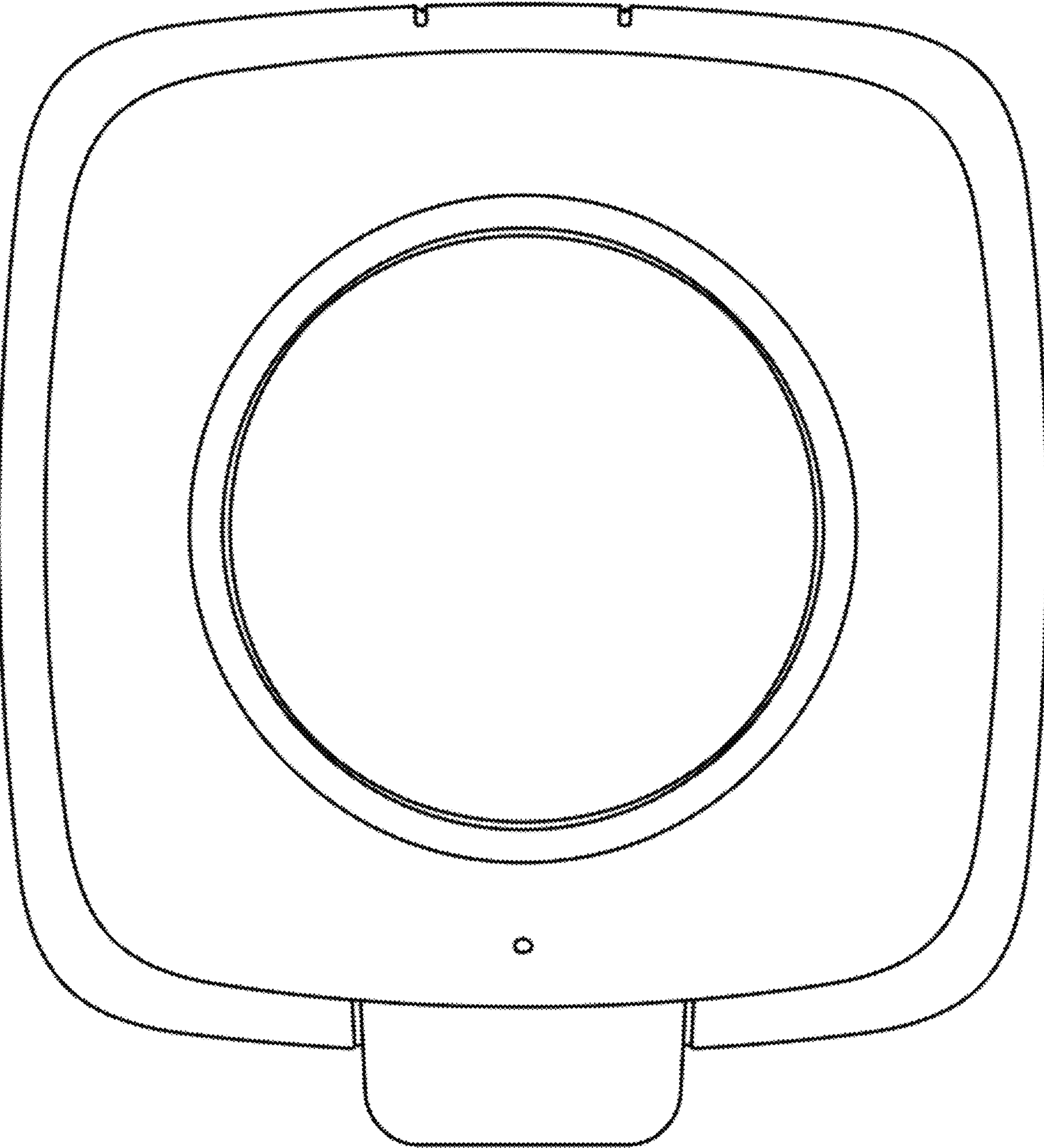
**1 Claim, 7 Drawing Sheets**



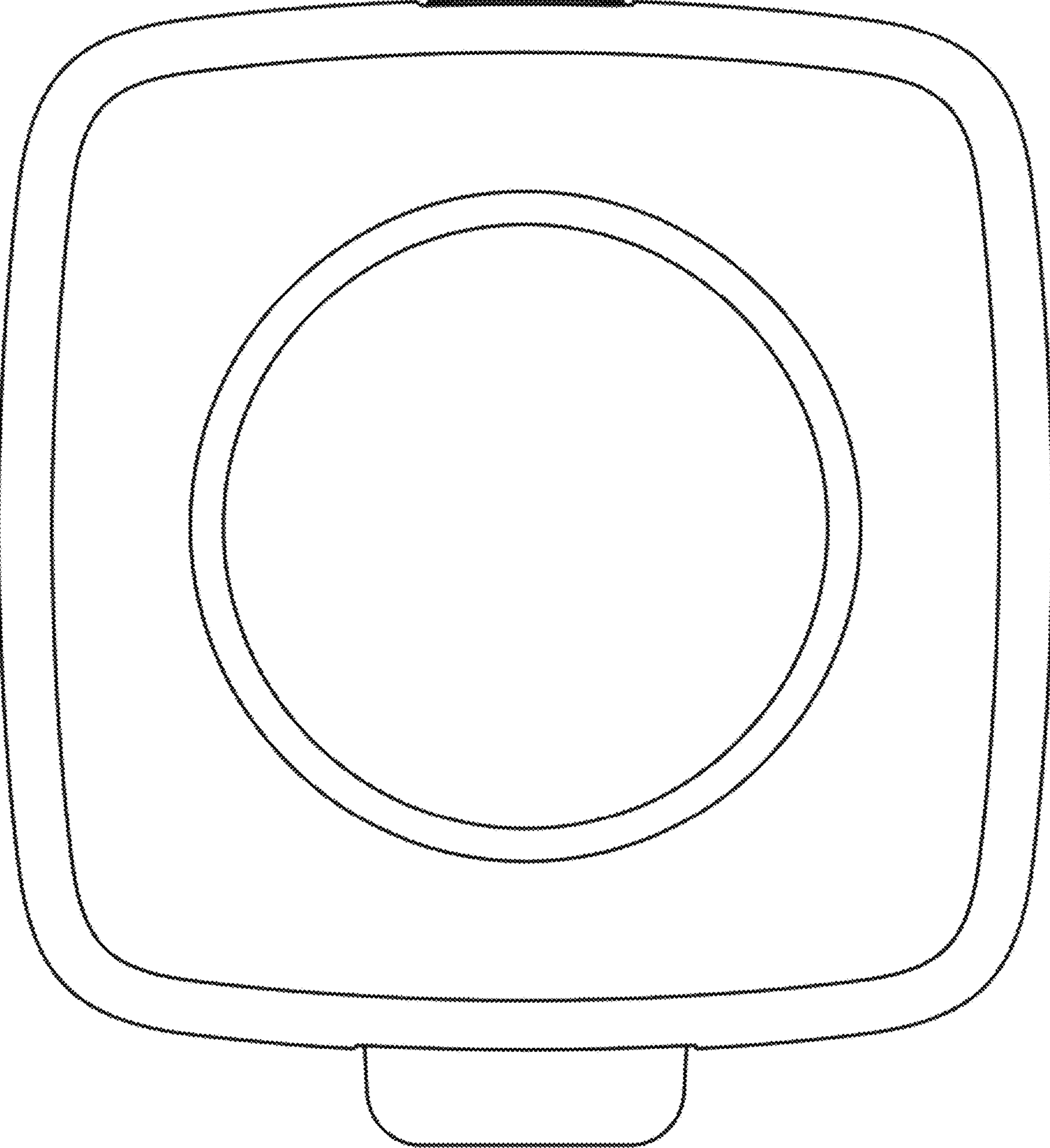
1.1



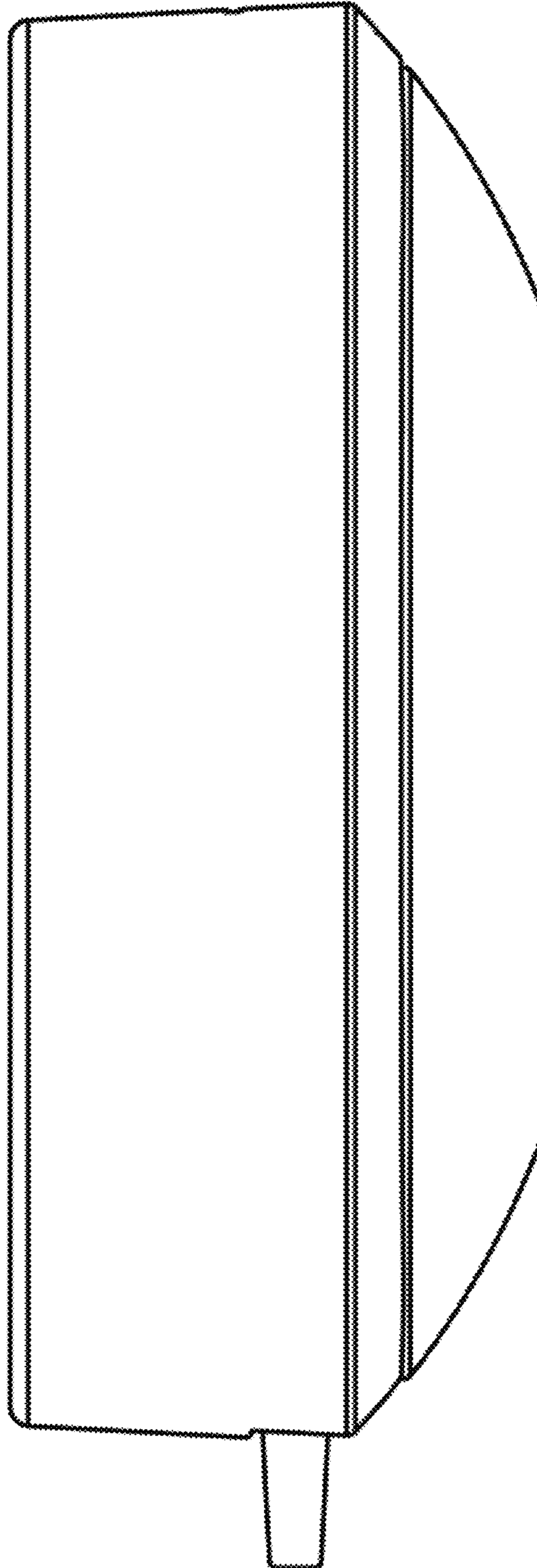
1.2



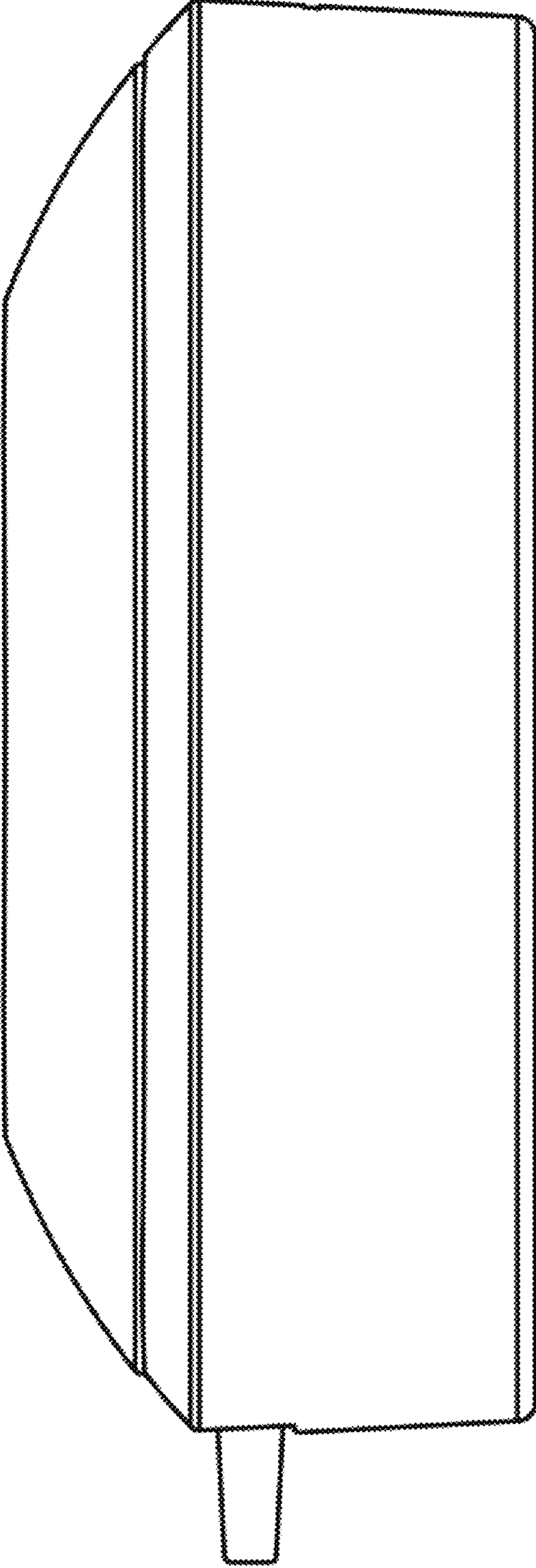
1.3



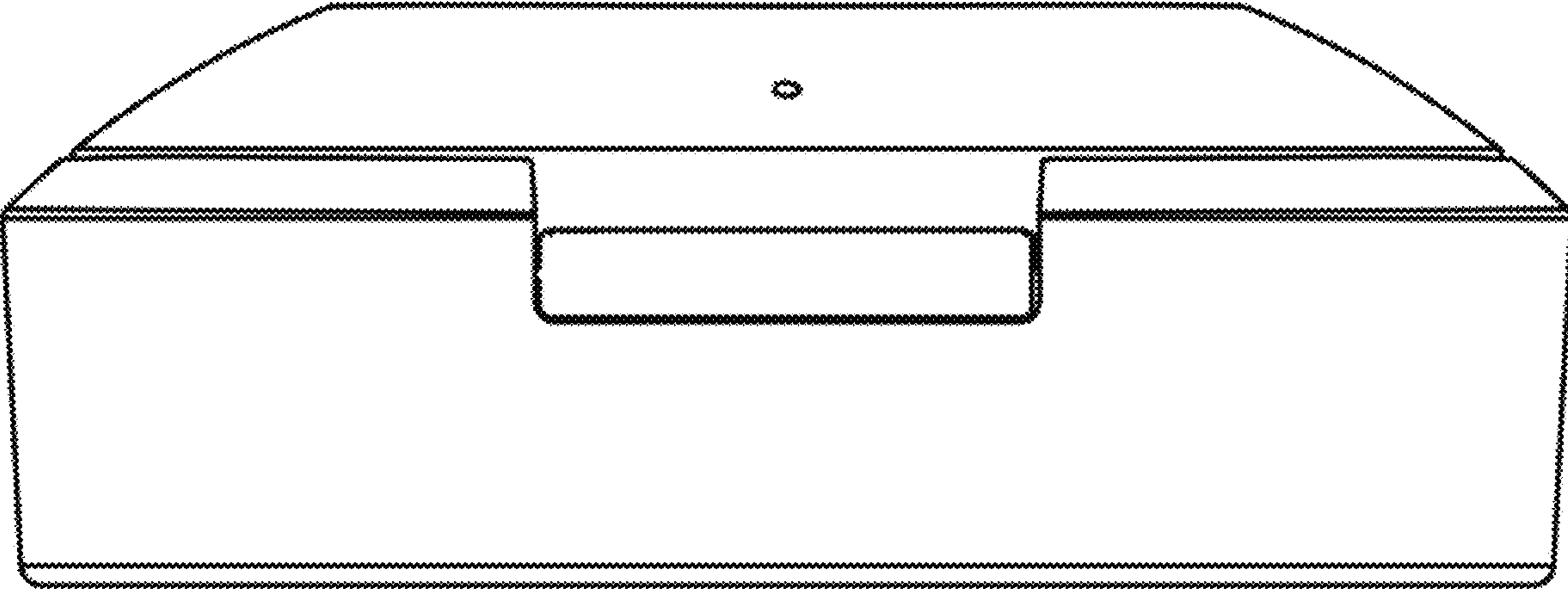
1.4



1.5



1.6



1.7

