



US00D873682S

(12) **United States Design Patent**
Shao

(10) **Patent No.:** **US D873,682 S**
(45) **Date of Patent:** **** Jan. 28, 2020**

- (54) **DETECTOR**
- (71) Applicant: **Shenzhen Aukey E-Business Co., Ltd.**,
Shenzhen (CN)
- (72) Inventor: **Zelong Shao**, Shenzhen (CN)
- (**) Term: **15 Years**
- (21) Appl. No.: **29/666,551**
- (22) Filed: **Oct. 15, 2018**
- (51) **LOC (12) Cl.** **10-04**
- (52) **U.S. Cl.**
USPC **D10/47**
- (58) **Field of Classification Search**
USPC D10/47
CPC ... G01V 3/00; G01V 3/02; G01V 3/04; G01V
3/06; G01V 3/08; G01V 3/081; G01V
3/082; G01V 3/083; G01V 2003/084;
G01V 2003/085; G01V 2003/086; G01V
3/087; G01V 3/088; G01V 3/10; G01V
3/101; G01V 3/102; G01V 3/104; G01V
3/105; G01V 3/107; G01V 3/108; G01V
3/12; G01V 3/14; G01V 3/15; G01V
3/16; G01V 3/165; G01V 3/17; G01V
3/175; G01V 3/18; G01V 3/20; G01V
3/22; G01V 3/24; G01V 3/26; G01V
3/265; G01V 3/28; G01V 3/30; G01V
3/32; G01V 3/34; G01V 3/36; G01V
3/38; G01V 3/40
See application file for complete search history.

- D377,908 S * 2/1997 Yue G01S 13/885
D10/47
- 8,842,035 B2 * 9/2014 Duvoisin, III G01S 13/885
342/22
- 9,021,661 B2 * 5/2015 Andel G01V 3/15
16/429
- D756,247 S * 5/2016 Pollock G01S 13/885
D10/47
- 9,664,809 B2 * 5/2017 Fry G01V 3/104
- 9,733,353 B1 * 8/2017 Carlson G01S 13/885
- 9,864,089 B2 * 1/2018 Andel F41H 11/136
- D844,462 S * 4/2019 Griffin D10/47
- D844,463 S * 4/2019 Zhang D10/47
- D846,411 S * 4/2019 Zhang D10/47

* cited by examiner

Primary Examiner — Antoine Duval Davis

(74) *Attorney, Agent, or Firm* — ZANIP

(57) **CLAIM**

The ornamental design for a detector, as shown and described.

DESCRIPTION

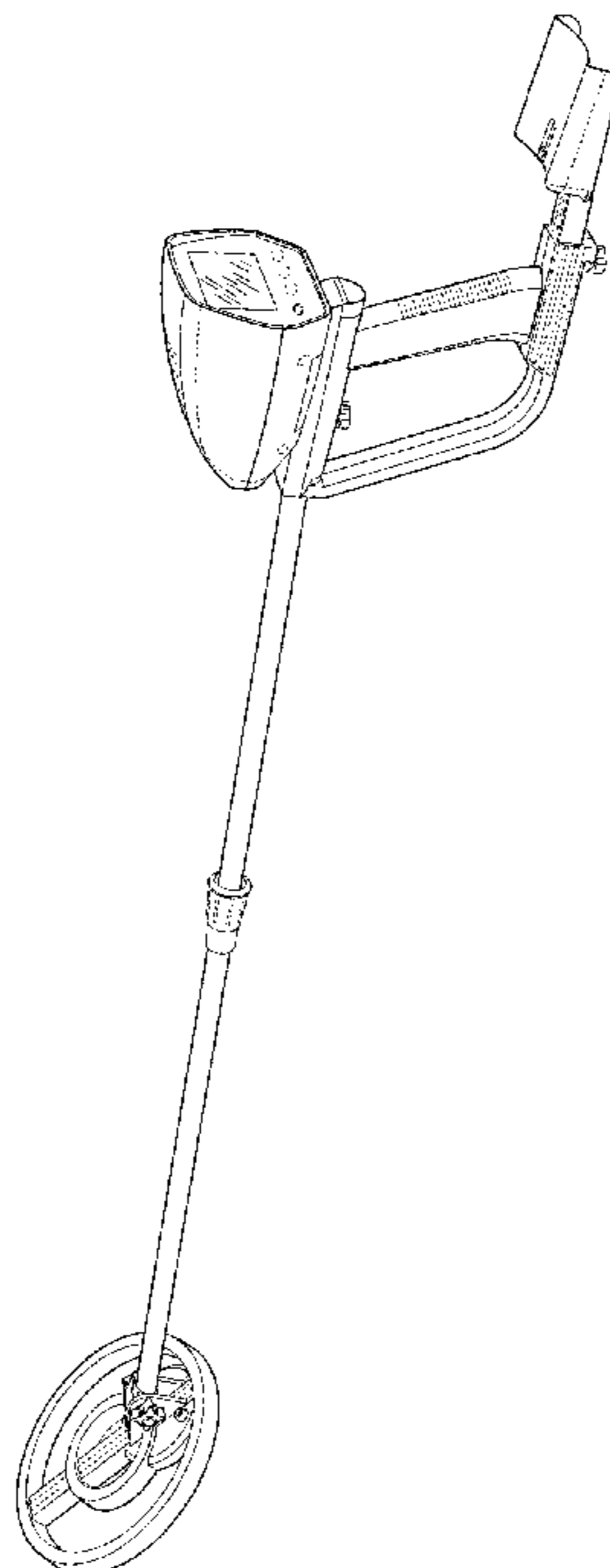
FIG. 1 is a front elevation view of a detector;
FIG. 2 is a rear elevation view thereof;
FIG. 3 is a left side elevation view thereof;
FIG. 4 is a right side elevation view thereof;
FIG. 5 is a top plan the view thereof;
FIG. 6 is a bottom plan the view thereof; and,
FIG. 7 is a front, right side perspective view thereof.

1 Claim, 7 Drawing Sheets

(56) **References Cited**

U.S. PATENT DOCUMENTS

- D187,385 S * 3/1960 Sirovica D10/103
- D218,705 S * 9/1970 Doss D10/47



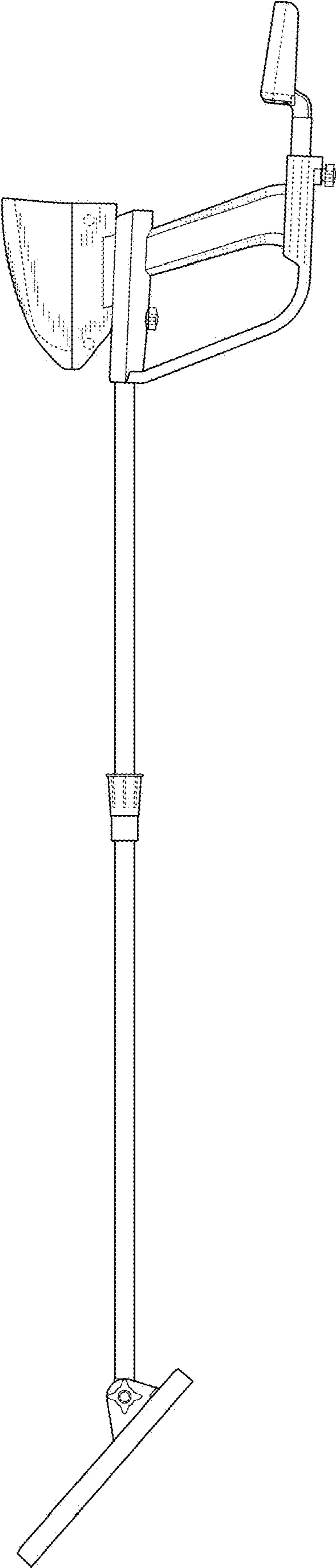


FIG.1

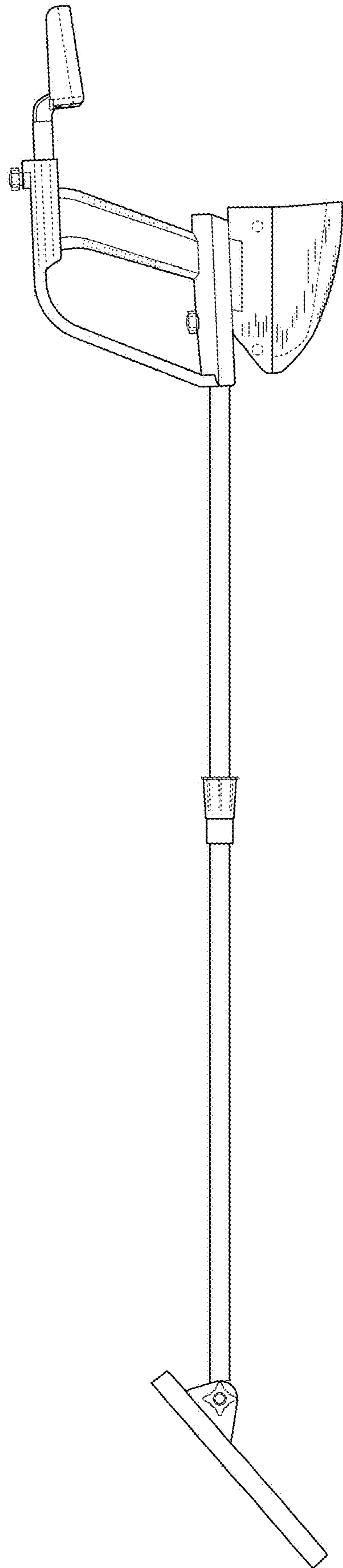


FIG.2

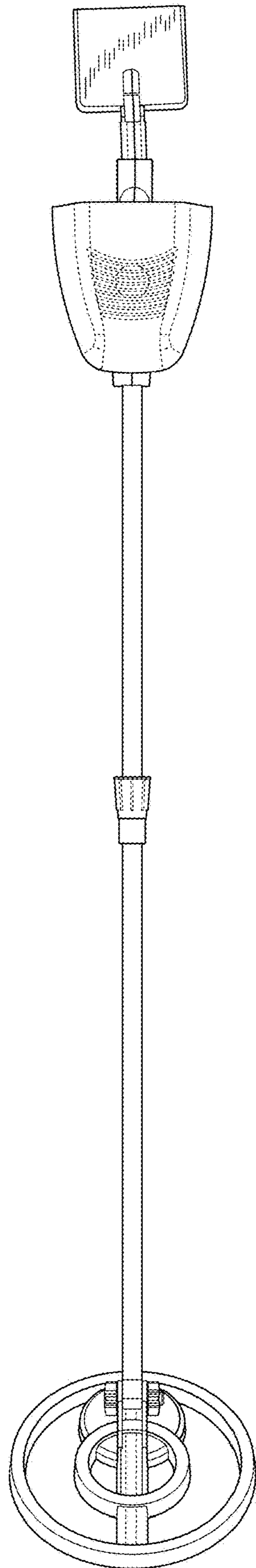


FIG.3

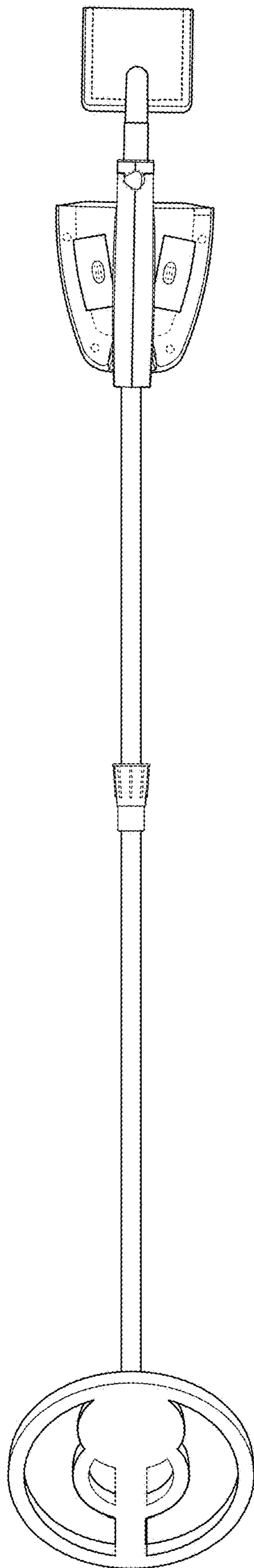


FIG.4

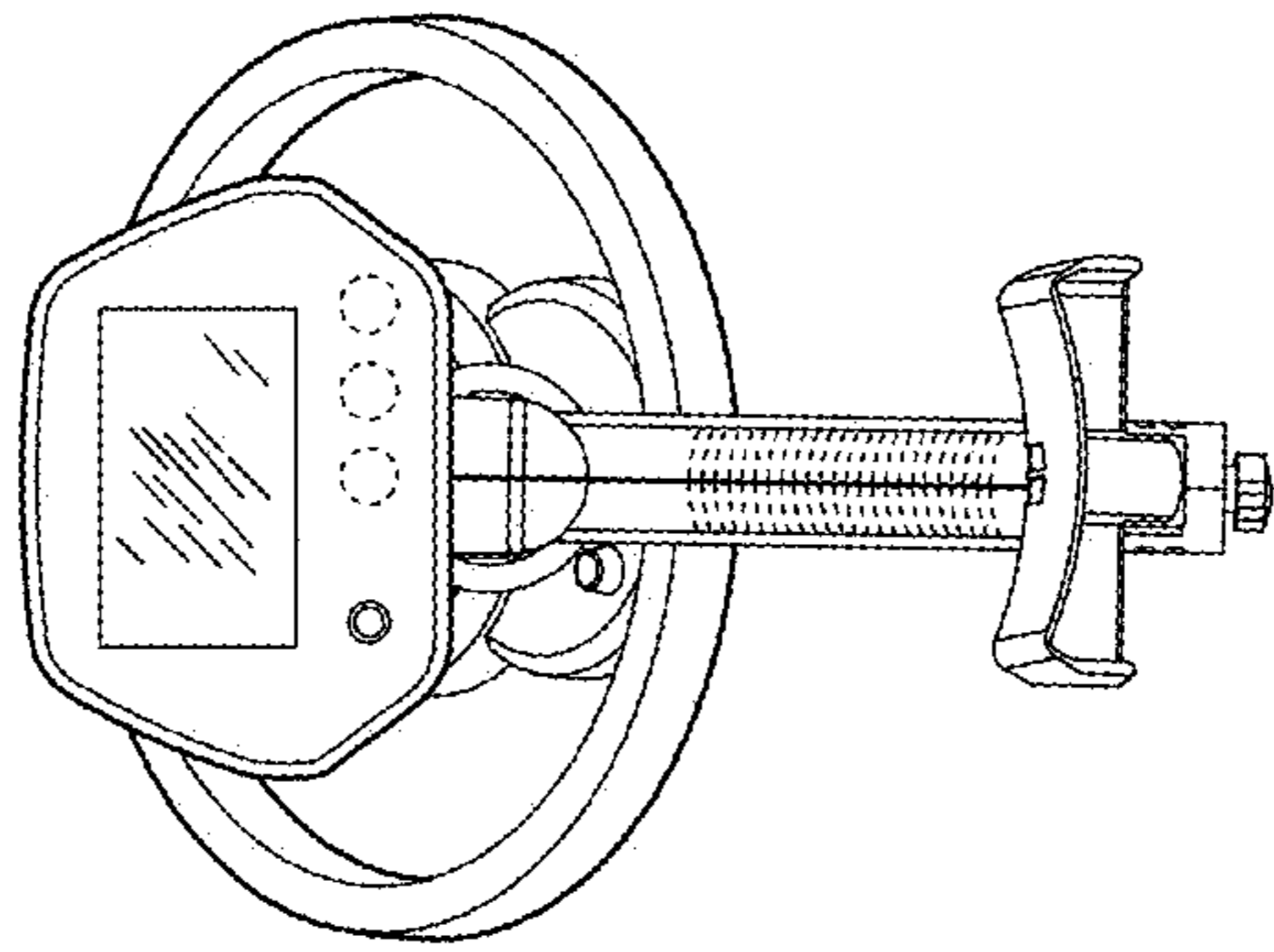


FIG.5

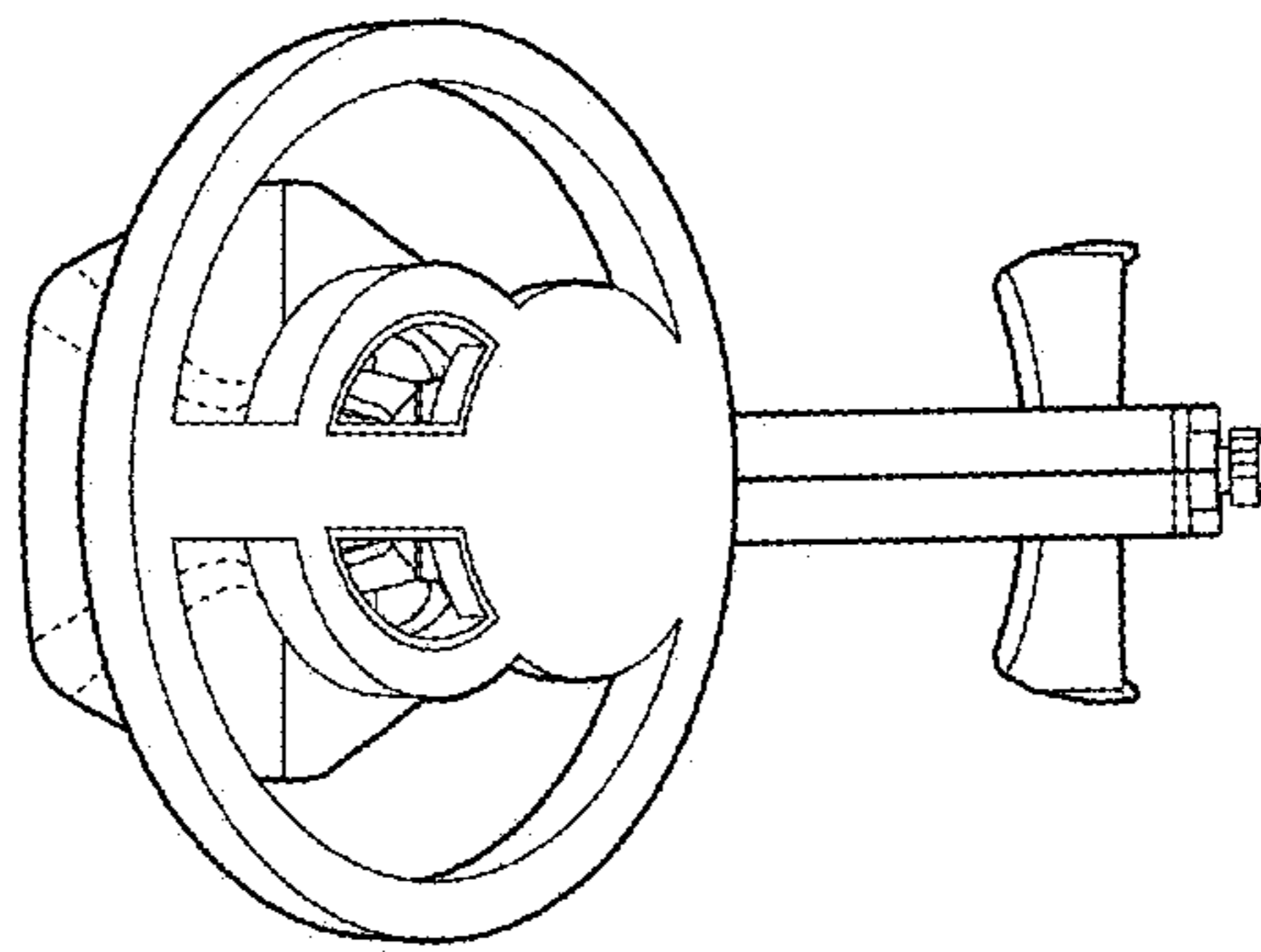


FIG.6

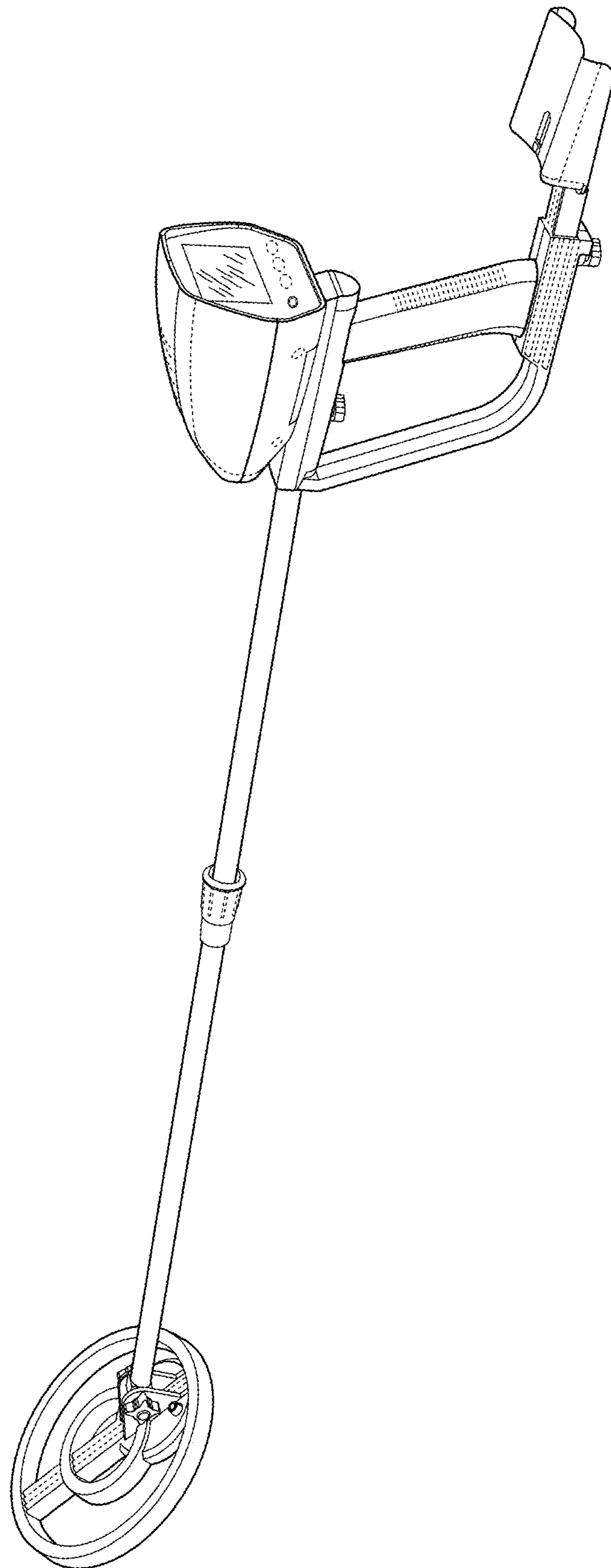


FIG. 7