



US00D873681S

(12) **United States Design Patent**
Tinguely

(10) **Patent No.:** **US D873,681 S**

(45) **Date of Patent:** **** Jan. 28, 2020**

(54) **WATCH CASE**

(71) Applicant: **Richemont International SA,**
Villars-sur-Glane (CH)

(72) Inventor: **Marie Tinguely,** Morges (CH)

(73) Assignee: **Richemont International SA,**
Villars-sur-Glane (CH)

(**) Term: **15 Years**

(21) Appl. No.: **29/646,897**

(22) Filed: **May 8, 2018**

(30) **Foreign Application Priority Data**

Nov. 8, 2017 (WO) DM/098786

(51) **LOC (12) Cl.** **10-02**

(52) **U.S. Cl.**
USPC **D10/38**

(58) **Field of Classification Search**
USPC D10/1-2, 6, 10, 30-39, 40-41, 102-103,
D10/122-129, 132; D11/3; D14/344,
D14/440

CPC G04B 37/00; G04B 37/005; G04B 37/22;
G04B 17/00; G04B 19/223; G04B 19/24;
G04B 45/00; G04B 45/0061; G04B
45/0069; G04B 45/0076; G04B 45/0084;
A45C 11/10; A45C 11/12; A45C 13/008
See application file for complete search history.

(56) **References Cited**

U.S. PATENT DOCUMENTS

D108,735 S * 3/1938 Merz D10/28
D352,471 S * 11/1994 Besson D10/39
D382,211 S * 8/1997 Bodino D10/30
D386,095 S * 11/1997 Perrin D10/30
D478,515 S * 8/2003 Sugiura D10/32
D491,472 S * 6/2004 Peraldi D10/30

D507,497 S * 7/2005 Liao D10/30
D526,912 S * 8/2006 Calvani D10/38
D527,287 S * 8/2006 Calvani D10/39
D530,630 S * 10/2006 Calvani D10/38
D538,682 S * 3/2007 Bodino D10/39
D539,170 S * 3/2007 Bodino D10/32
D540,699 S * 4/2007 Niculescu D10/39
D553,021 S * 10/2007 Bodino D10/39
D566,582 S * 4/2008 Genender D10/38

(Continued)

OTHER PUBLICATIONS

Baume Mercier Hampton Watch | posted at ablogtowatch.com Aug. 2015 [online]. © 2007-2019 aBlogtoWatch [retrieved Mar. 13, 2019] from Internet: <https://www.ablogtowatch.com/baume-mercier-hampton-watch-hands (Year: 2015).*

(Continued)

Primary Examiner — Sandra S Snapp

Assistant Examiner — Katherine Glennon

(74) *Attorney, Agent, or Firm* — Taft Stettinius & Hollister LLP

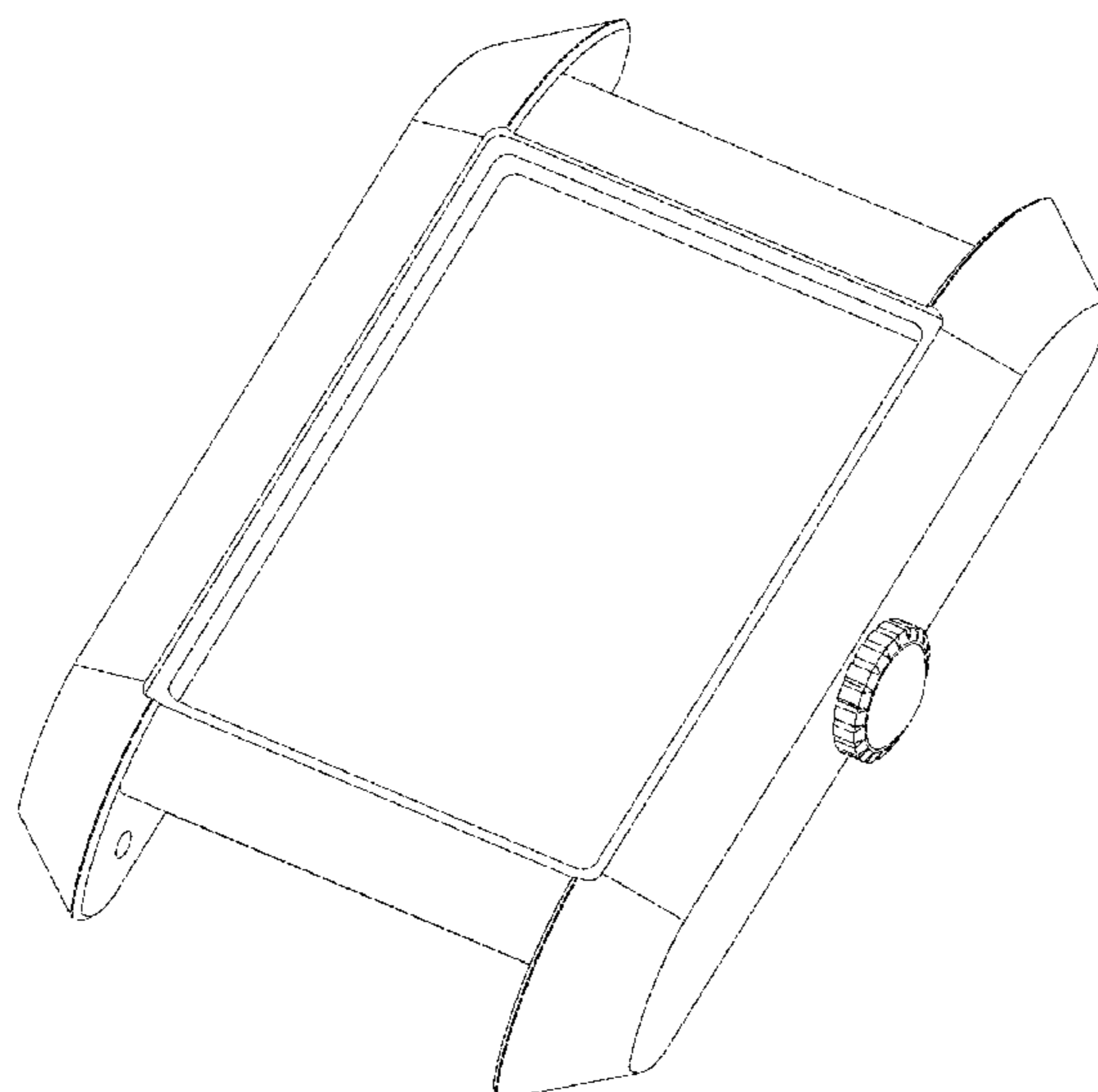
(57) **CLAIM**

The ornamental design for a watch case, as shown and described.

DESCRIPTION

FIG. 1 is a front elevational view of a watch case showing my new design;
FIG. 2 is a back elevational view thereof;
FIG. 3 is a right side elevational view thereof;
FIG. 4 is a left side elevational view thereof;
FIG. 5 is a bottom plan view thereof;
FIG. 6 is a top plan view thereof;
FIG. 7 is a front, right side perspective view thereof; and,
FIG. 8 is a back, left side perspective view thereof.
The broken lines in the drawing figures depict portions of the watch that form no part of the claimed design.

1 Claim, 8 Drawing Sheets



(56)

References Cited

U.S. PATENT DOCUMENTS

D569,740 S * 5/2008 Bodino D10/38
D588,023 S * 3/2009 Lassigne D10/38
D664,049 S * 7/2012 Jorst D10/39
D678,785 S * 3/2013 Rochat D10/39

OTHER PUBLICATIONS

Montres Baume Mercier Hampton | posted at collectorsquare.com
n.d.[online]. [retrieved Mar. 13, 2019] from Internet: <<https://www.collectorsquare.com/montres/baume-&-mercier/hampton/lpi>> (Year: 2019).*

* cited by examiner

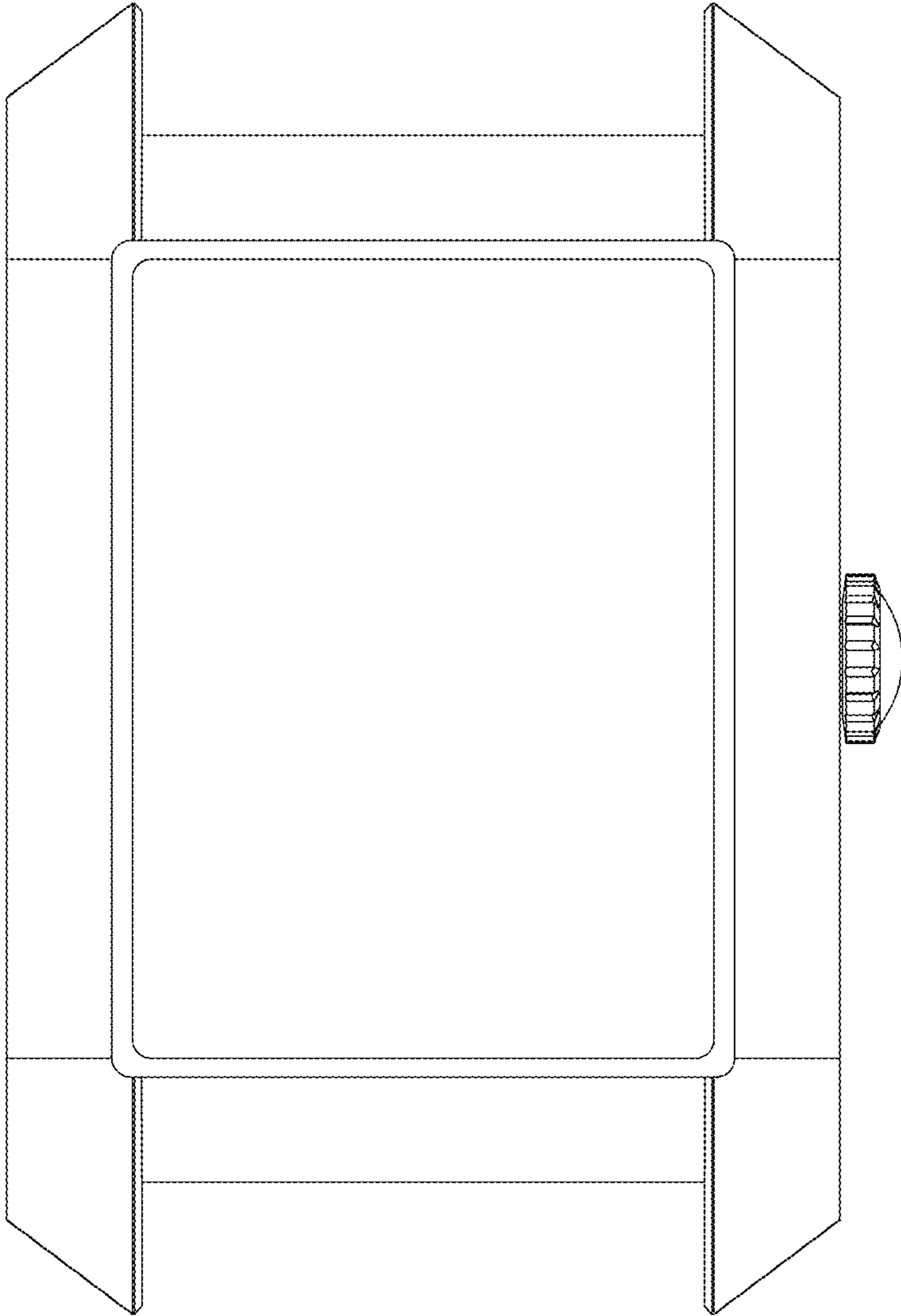


Fig. 1

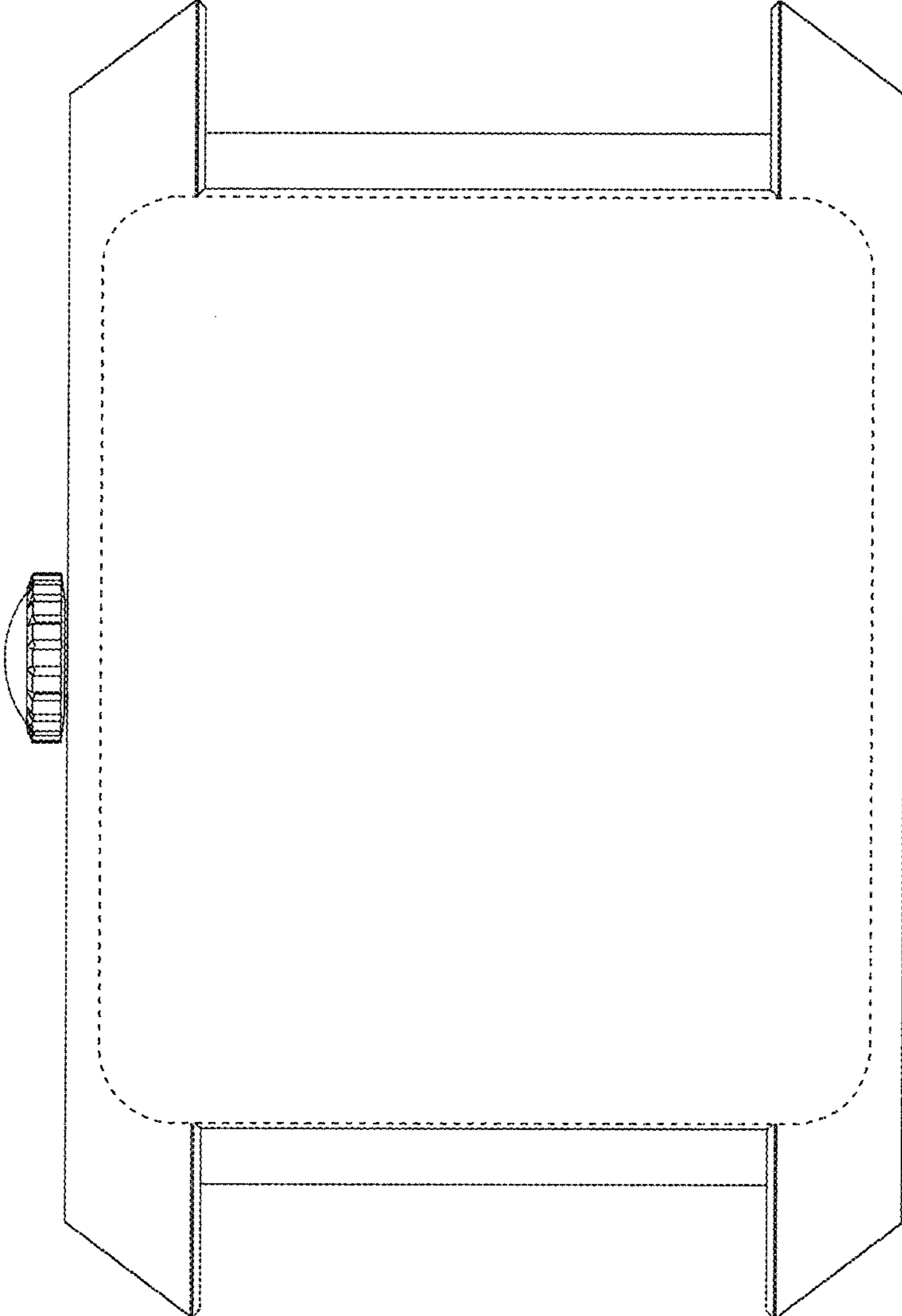


Fig. 2

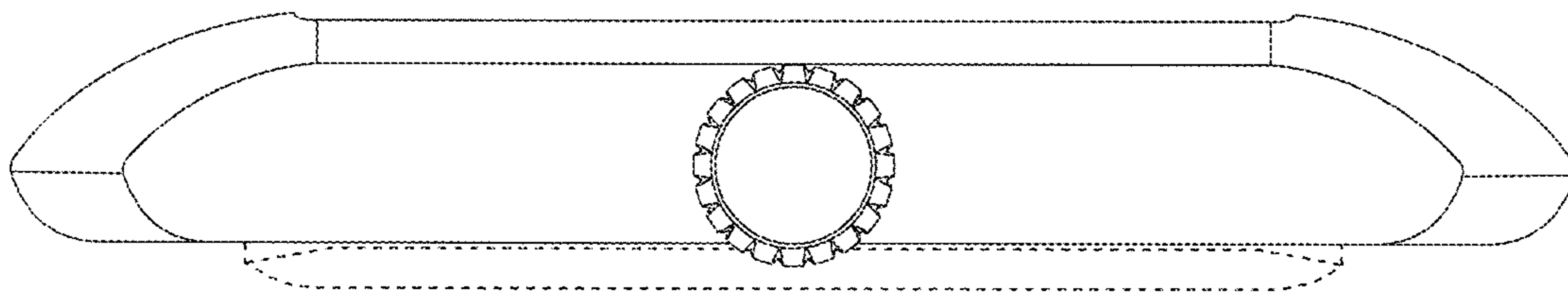


Fig. 3

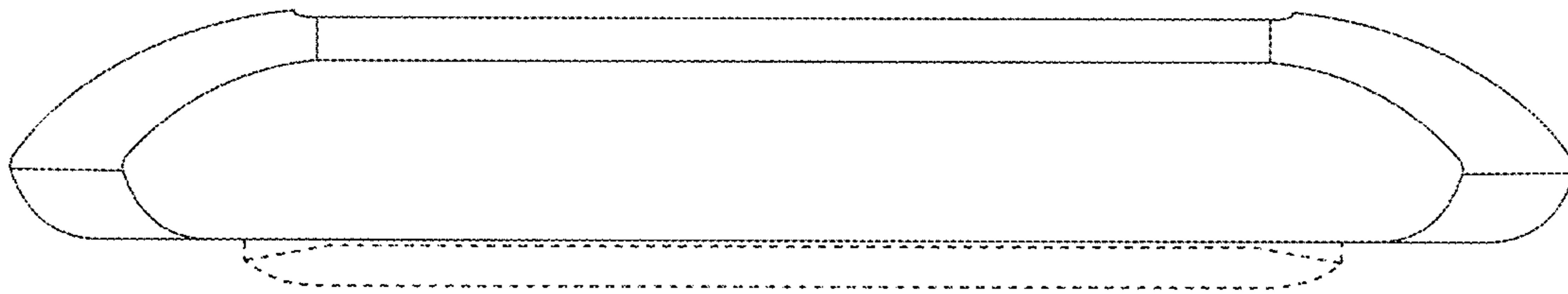


Fig. 4

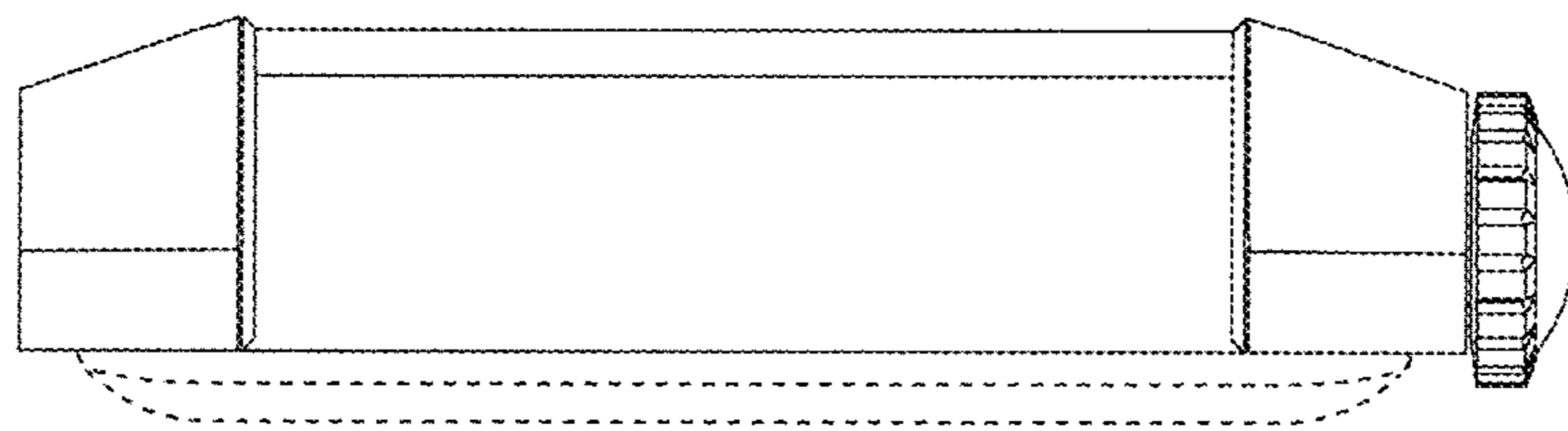


Fig. 5

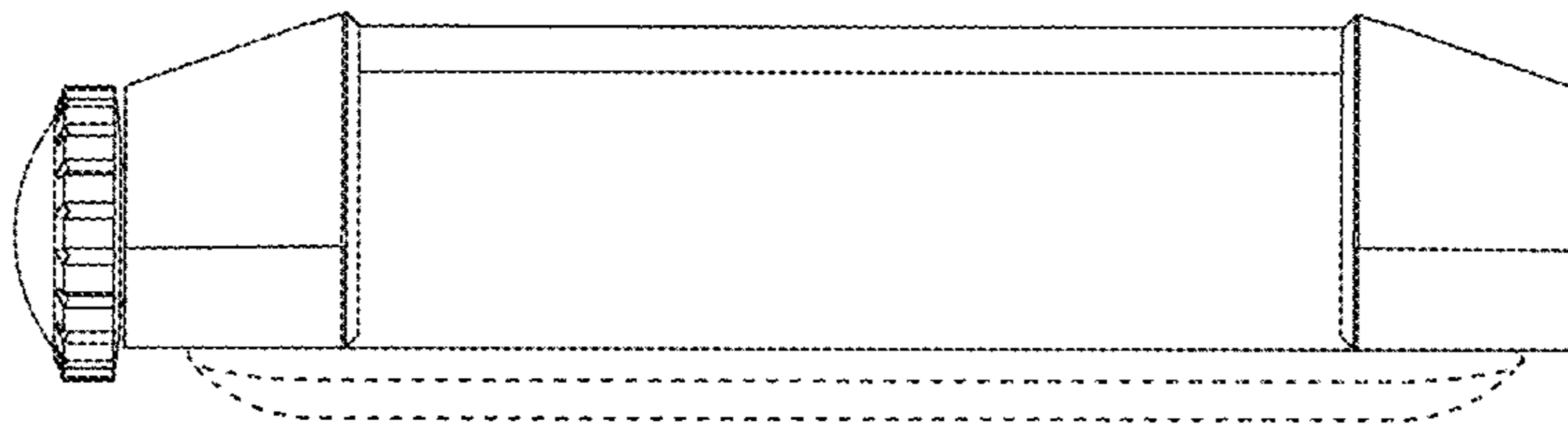


Fig. 6

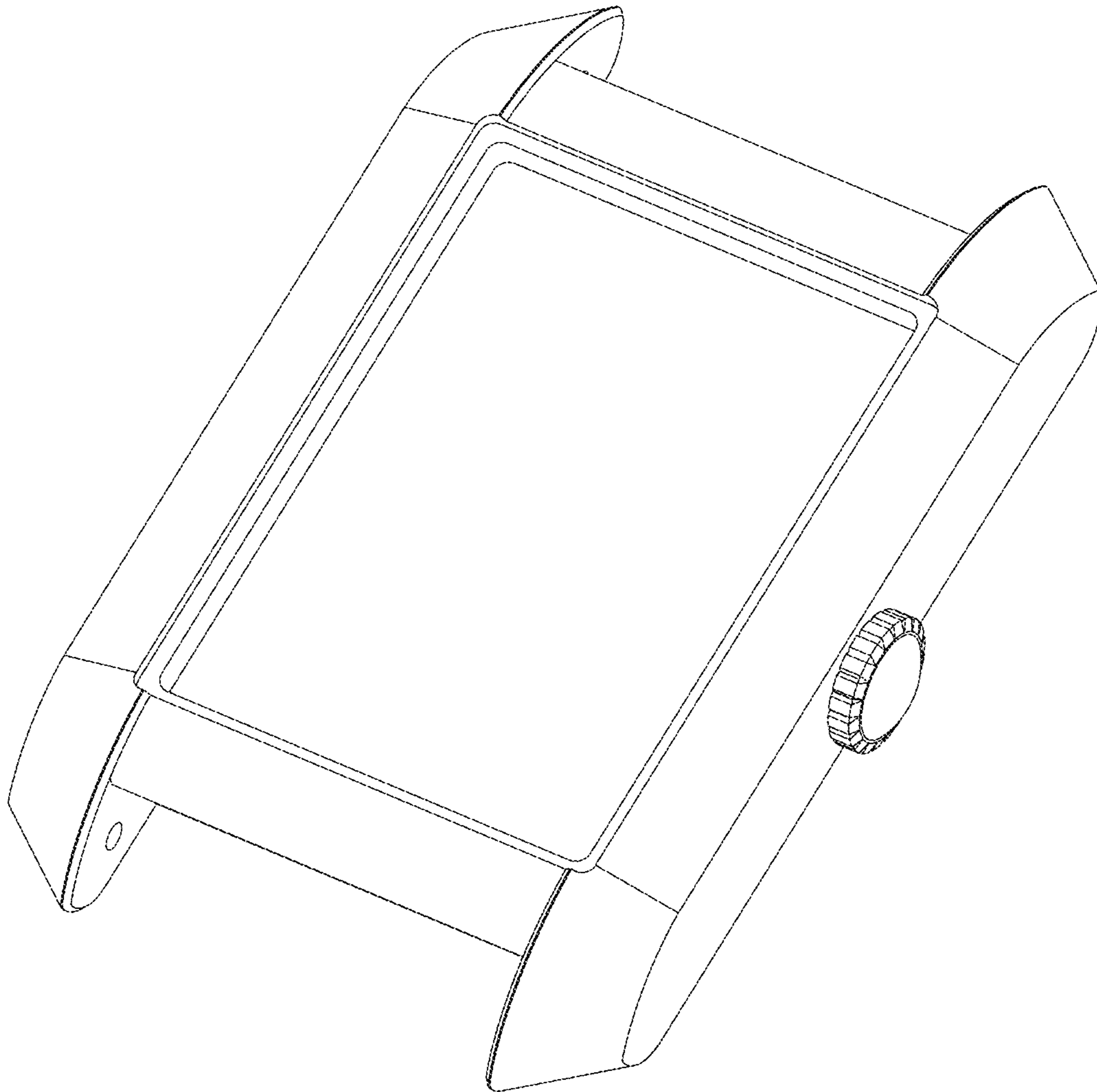


Fig. 7

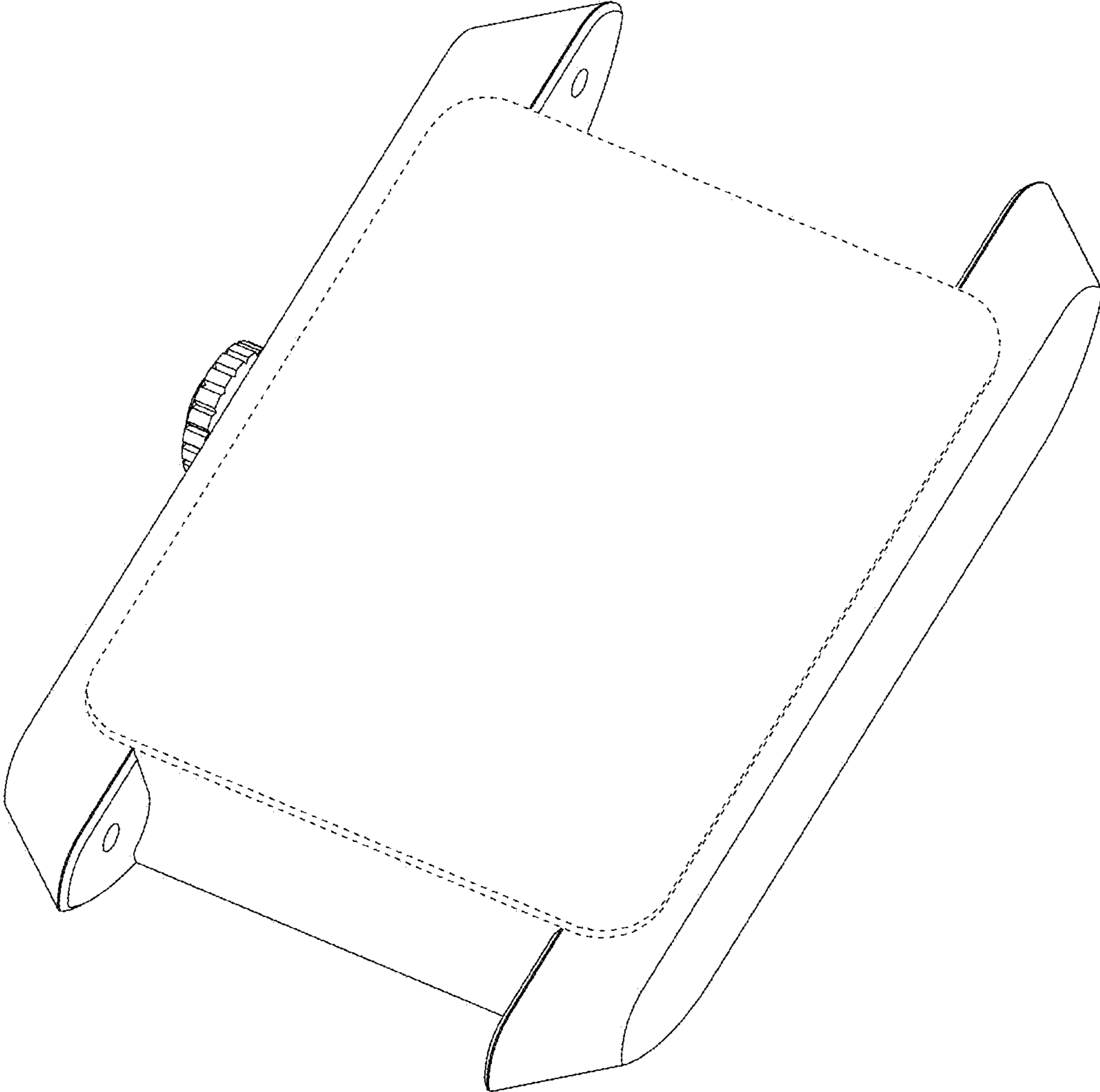


Fig. 8