



US00D873678S

(12) **United States Design Patent**  
**Galavis**

(10) **Patent No.:** **US D873,678 S**

(45) **Date of Patent:** **\*\* Jan. 28, 2020**

(54) **TORTILLA PACKAGING CONTAINER**

(71) Applicant: **General Mills, Inc.**, Minneapolis, MN  
(US)

(72) Inventor: **David Galavis**, La Rioja (ES)

(73) Assignee: **General Mills, Inc.**, Minneapolis, MN  
(US)

(\*\*) Term: **15 Years**

(21) Appl. No.: **29/677,717**

(22) Filed: **Jan. 23, 2019**

(51) **LOC (12) Cl.** ..... **09-03**

(52) **U.S. Cl.**  
USPC ..... **D9/761**

(58) **Field of Classification Search**

USPC ..... D9/756, 737, 424, 425, 426, 428-432,  
D9/748, 749, 759-761, 601, 586, 701,  
D9/703, 708; D7/550.1, 554.3, 587,  
D7/554.4, 602, 553.1-553.8, 555; D3/20,  
D3/203.3, 294, 295, 313-315, 901, 304;  
D24/105, 176-180, 229, 230;  
220/4.21-4.27, 500, 555, 556, 575, 507,  
220/523, 524, DIG. 10, DIG. 20;  
229/406, 120.03, 407, 904, 908; 433/77;  
D30/130  
CPC ..... B65B 31/028; B65D 1/30; B65D 1/34;  
B65D 2581/055; B65D 81/34; B65D  
1/36; B65D 81/3453; B65D 85/36; B65D  
21/02; B65D 21/0206; B65D 71/40;  
B65D 71/50; B65D 43/162; B65D 1/00;  
B65D 43/021; B65D 2543/00194; B65D  
2543/00296; B65D 2543/00509; B65D  
2543/00101;

(Continued)

(56) **References Cited**

U.S. PATENT DOCUMENTS

D273,765 S \* 5/1984 Cillario ..... D9/425  
D280,383 S \* 9/1985 Tendick ..... D9/425

(Continued)

FOREIGN PATENT DOCUMENTS

EM 006476610-0001 \* 5/2019

*Primary Examiner* — W. A. Teddy Falloway

(74) *Attorney, Agent, or Firm* — Diederiks & Whitelaw,  
PLC; John L. Crimmins, Esq.

(57) **CLAIM**

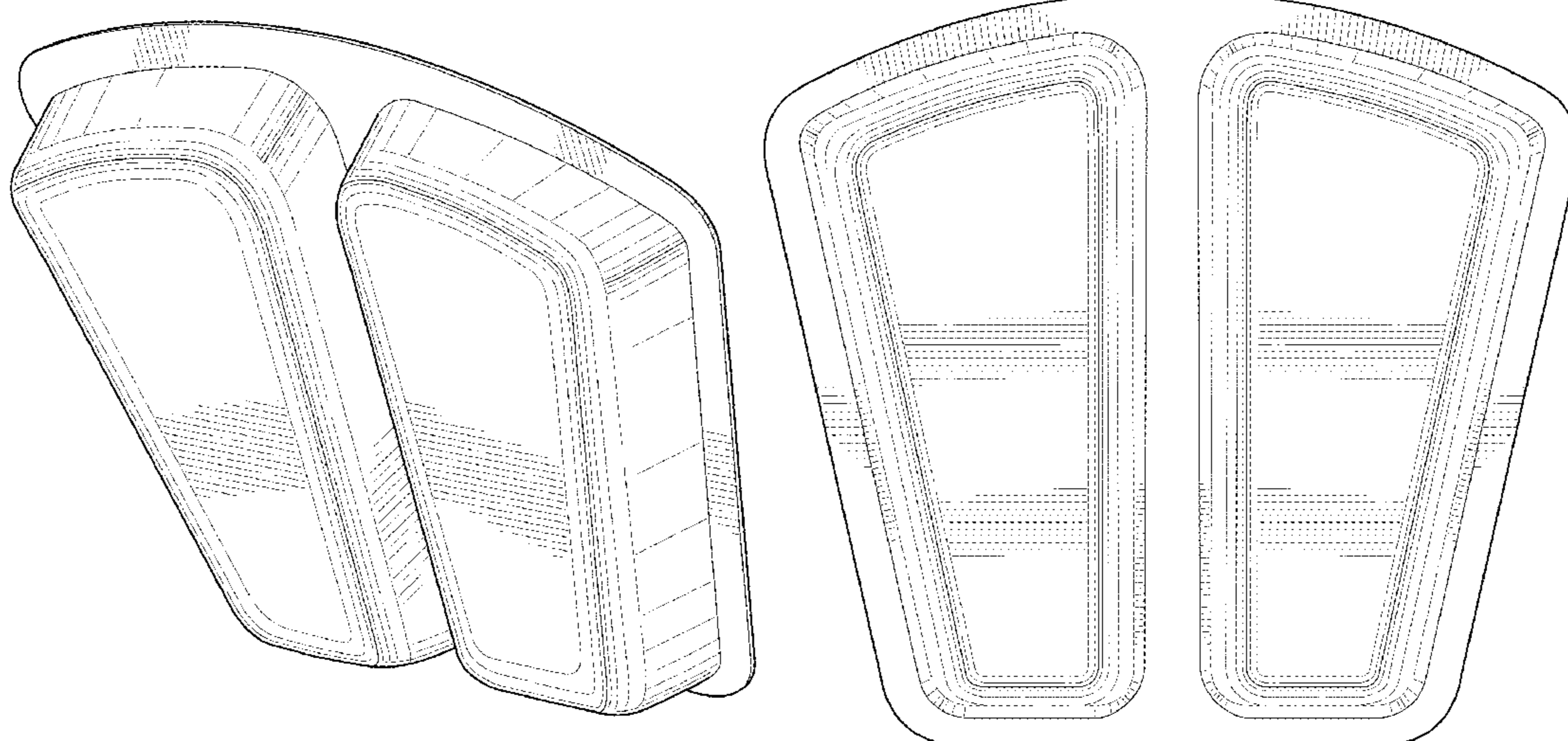
The ornamental design for a tortilla packaging container, as shown and described.

**DESCRIPTION**

FIG. 1 is a lower perspective view of the tortilla packaging container of the design;  
FIG. 2 is a bottom view of the tortilla packaging container;  
FIG. 3 is a top view of the tortilla packaging container;  
FIG. 4 is a front elevational view of the tortilla packaging container;  
FIG. 5 is a rear elevational view of the tortilla packaging container;  
FIG. 6 is a left side view of the tortilla packaging container;  
FIG. 7 is a right side view of the tortilla packaging container;  
FIG. 8 is a lower front perspective view of the tortilla packaging container associated with an outer packaging sleeve that is not part of the claimed design;  
FIG. 9 is a lower rear perspective view of the tortilla packaging container associated with the outer packaging sleeve; and,  
FIG. 10 is an upper rear perspective view of the tortilla packaging container associated with the outer packaging sleeve.

The broken line showings of the outer packaging sleeve in FIGS. 8-10 are for the purpose of illustrating environmental structure and forms no part of the claimed design.

**1 Claim, 8 Drawing Sheets**



(58) **Field of Classification Search**

CPC ..... B65D 2543/00537; B65D 2543/00555;  
B65D 2577/2066; B65D 2101/0015;  
B65D 2571/00277; A61C 17/005; A61C  
19/006

See application file for complete search history.

(56) **References Cited**

U.S. PATENT DOCUMENTS

D367,172 S \* 2/1996 Brightbill ..... D3/310  
D448,130 S \* 9/2001 Wagner ..... D32/53.1  
D590,596 S \* 4/2009 Dretzka ..... D3/304  
D696,910 S \* 1/2014 Franczyk ..... D7/629  
D712,752 S \* 9/2014 Stuart ..... D9/756  
D713,196 S \* 9/2014 Sarnoff ..... D7/357  
D713,741 S \* 9/2014 Wilmers ..... D9/424  
D793,868 S \* 8/2017 Kim ..... D9/756  
D814,929 S \* 4/2018 Bergeron ..... D9/456  
10,398,243 B2 \* 9/2019 Sedgwick ..... A47G 19/30  
2009/0321292 A1 \* 12/2009 Prudden, Jr. .... B65D 1/30  
206/354  
2010/0065562 A1 \* 3/2010 Vovan ..... B65D 1/30  
220/23.4  
2015/0217925 A1 \* 8/2015 Inagaki ..... B65D 77/2024  
426/106  
2018/0162624 A1 \* 6/2018 Bergeron ..... B65D 81/05

\* cited by examiner

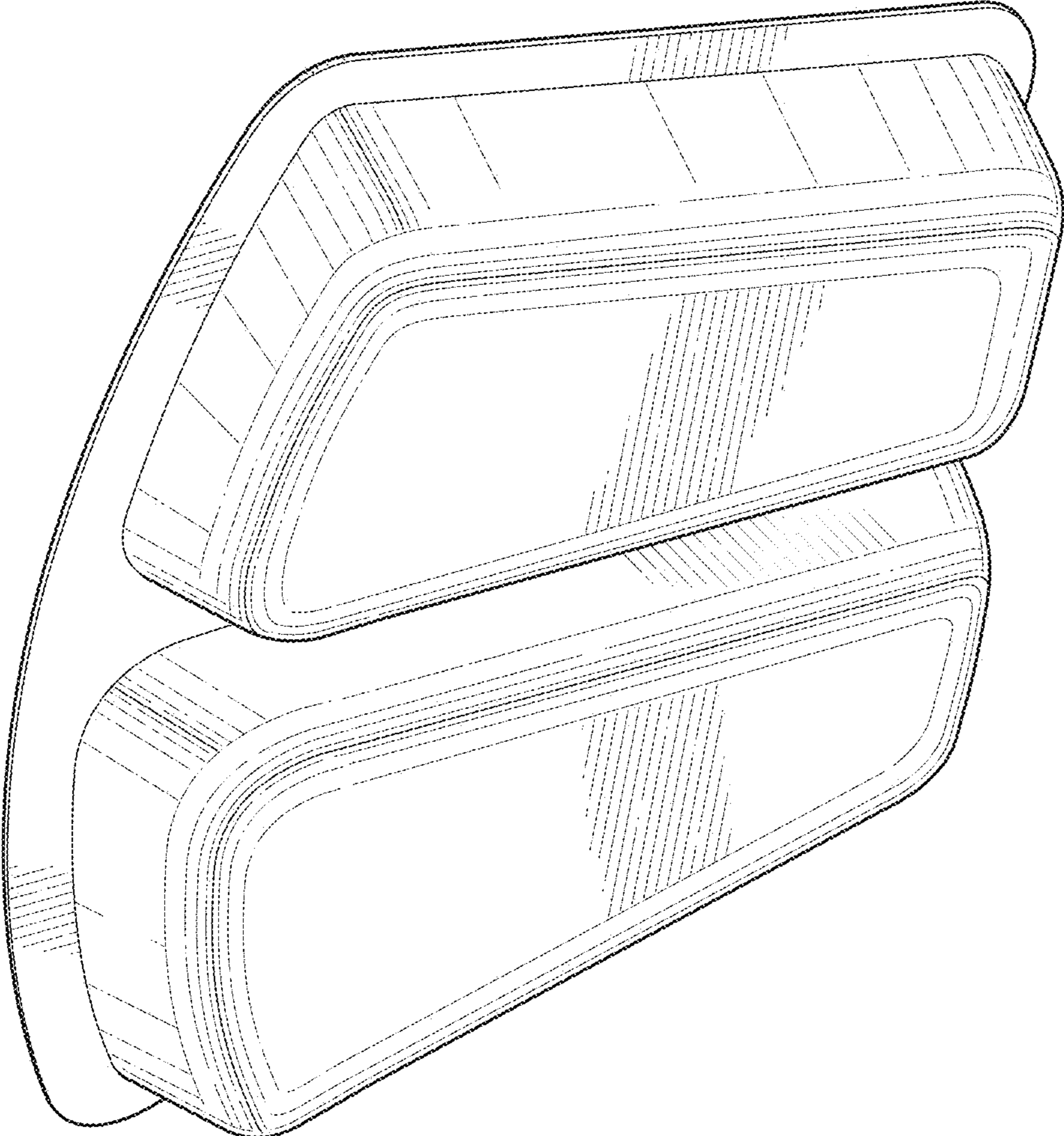


FIG. 1

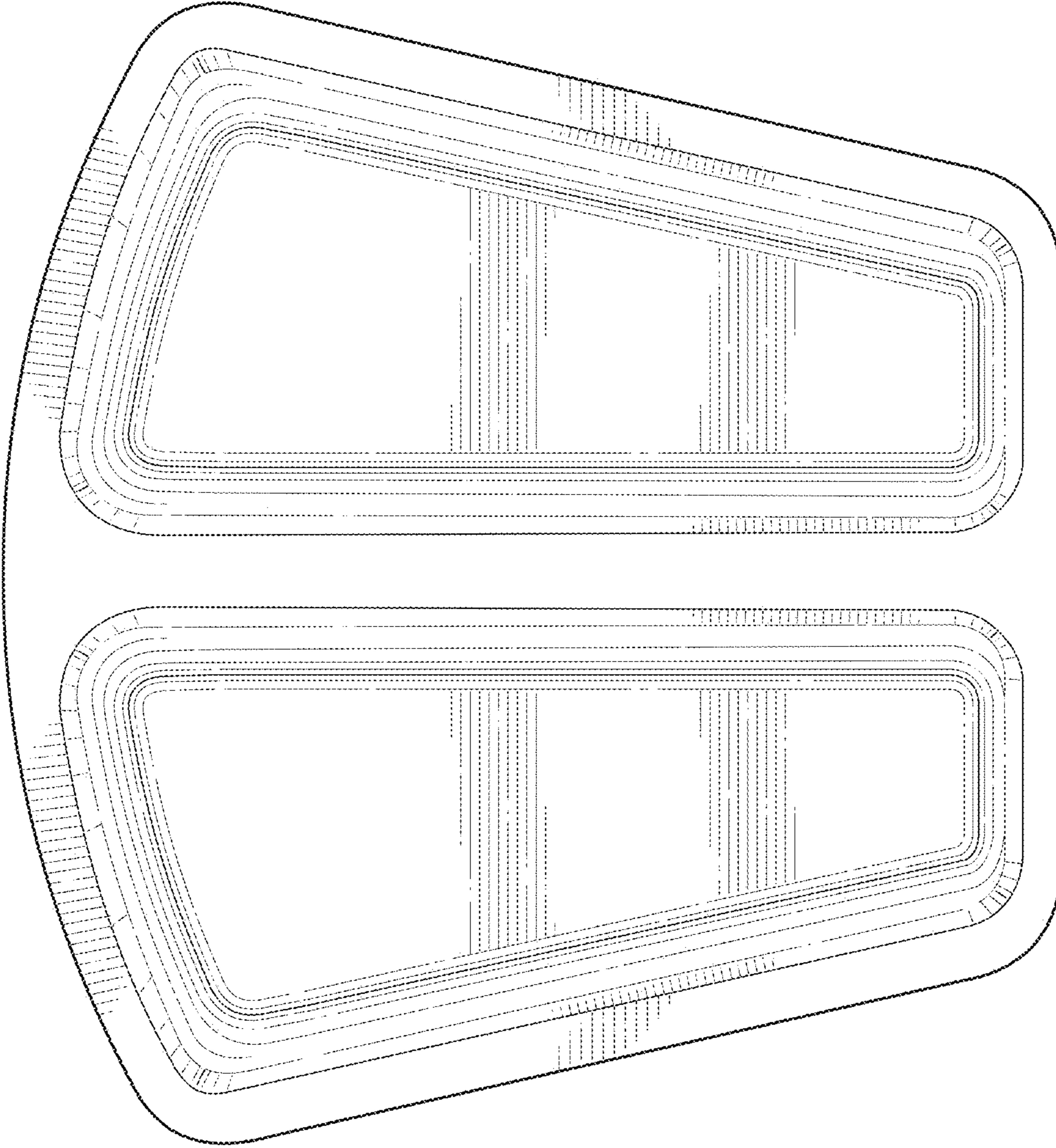


FIG. 2

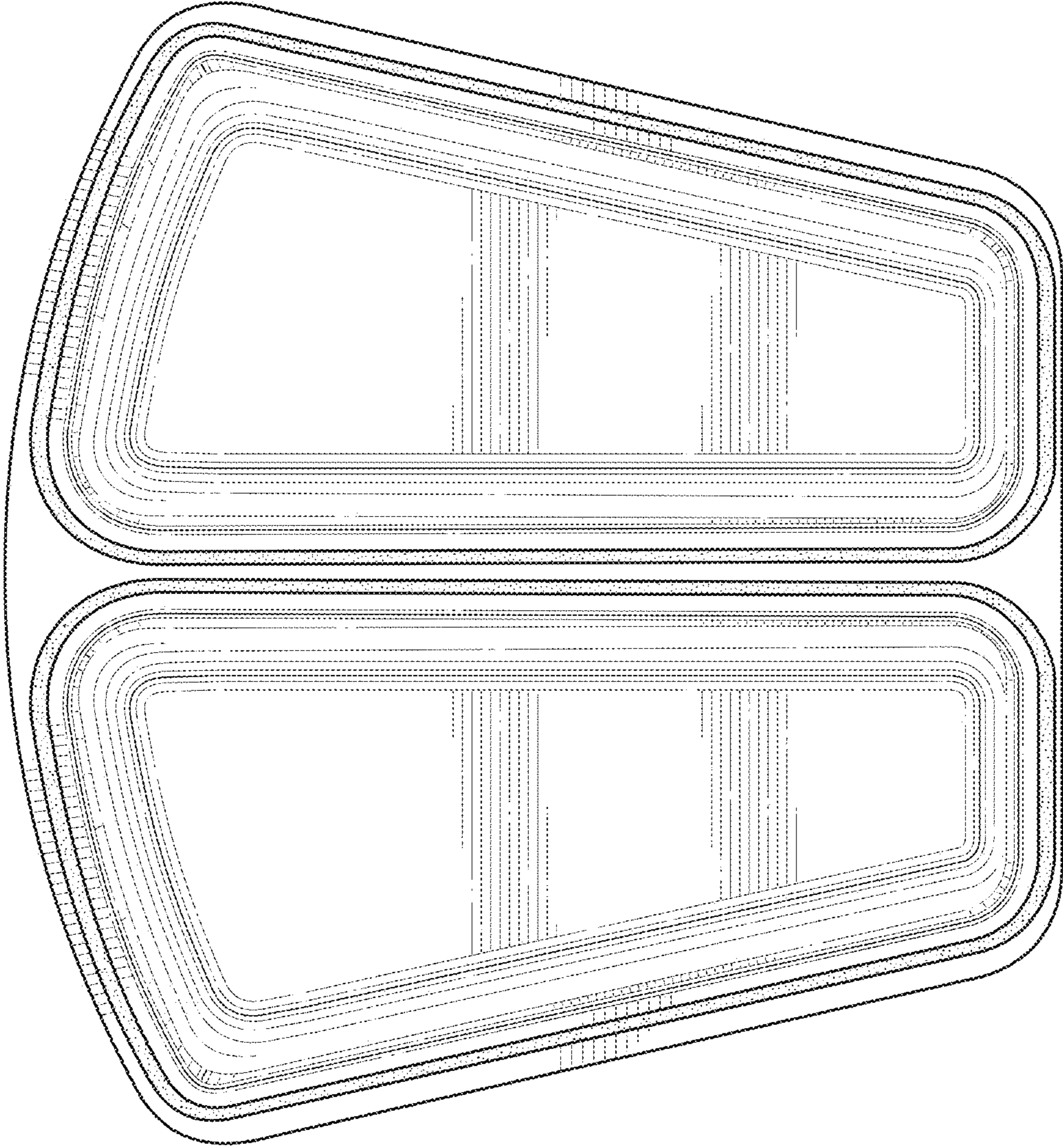


FIG. 3

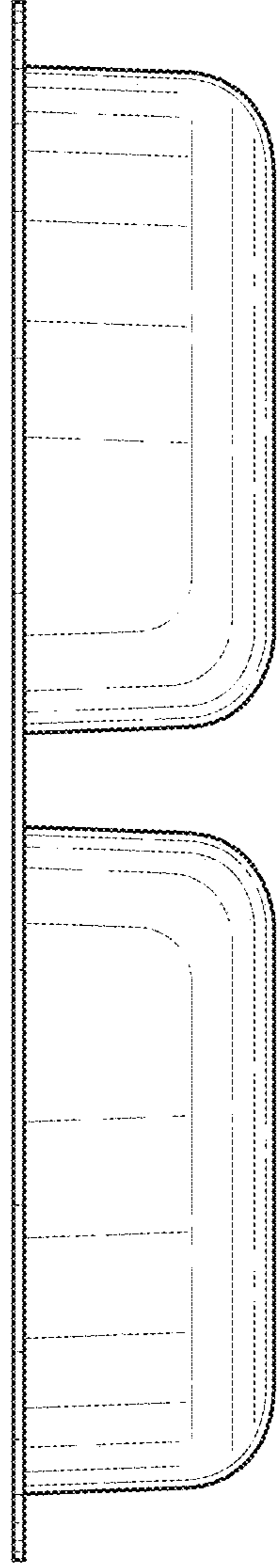


FIG. 4

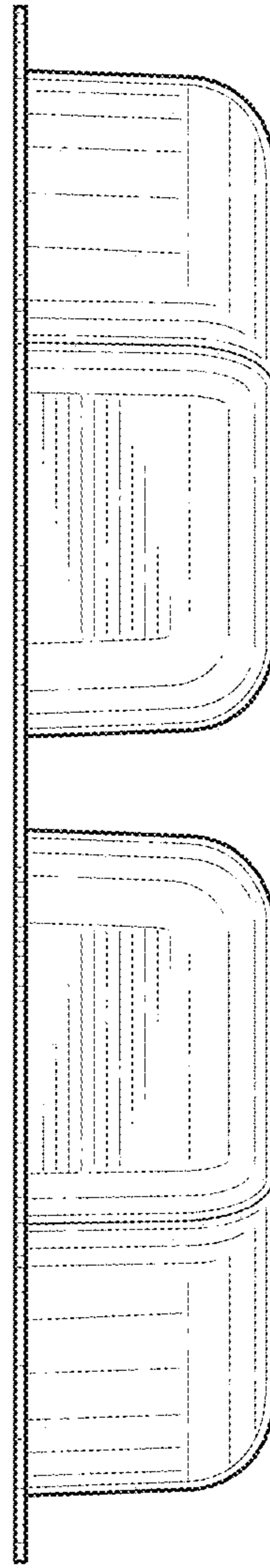


FIG. 5

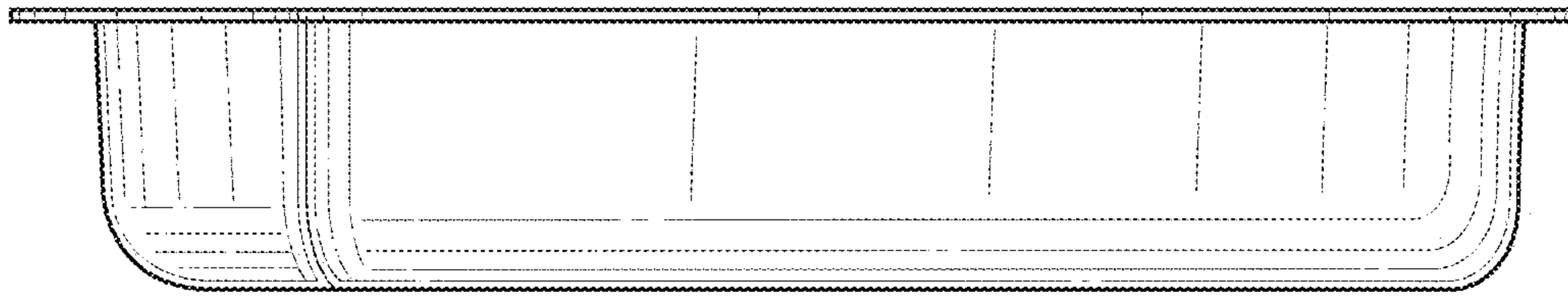


FIG. 7

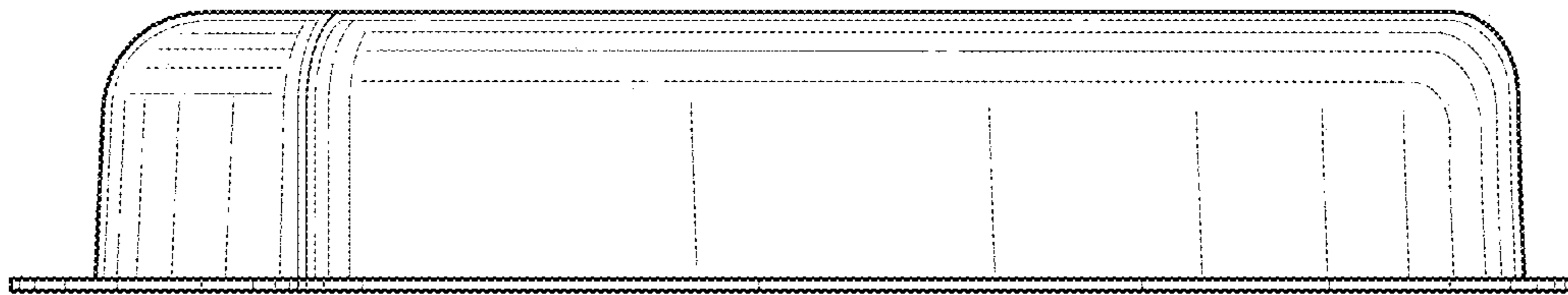


FIG. 6

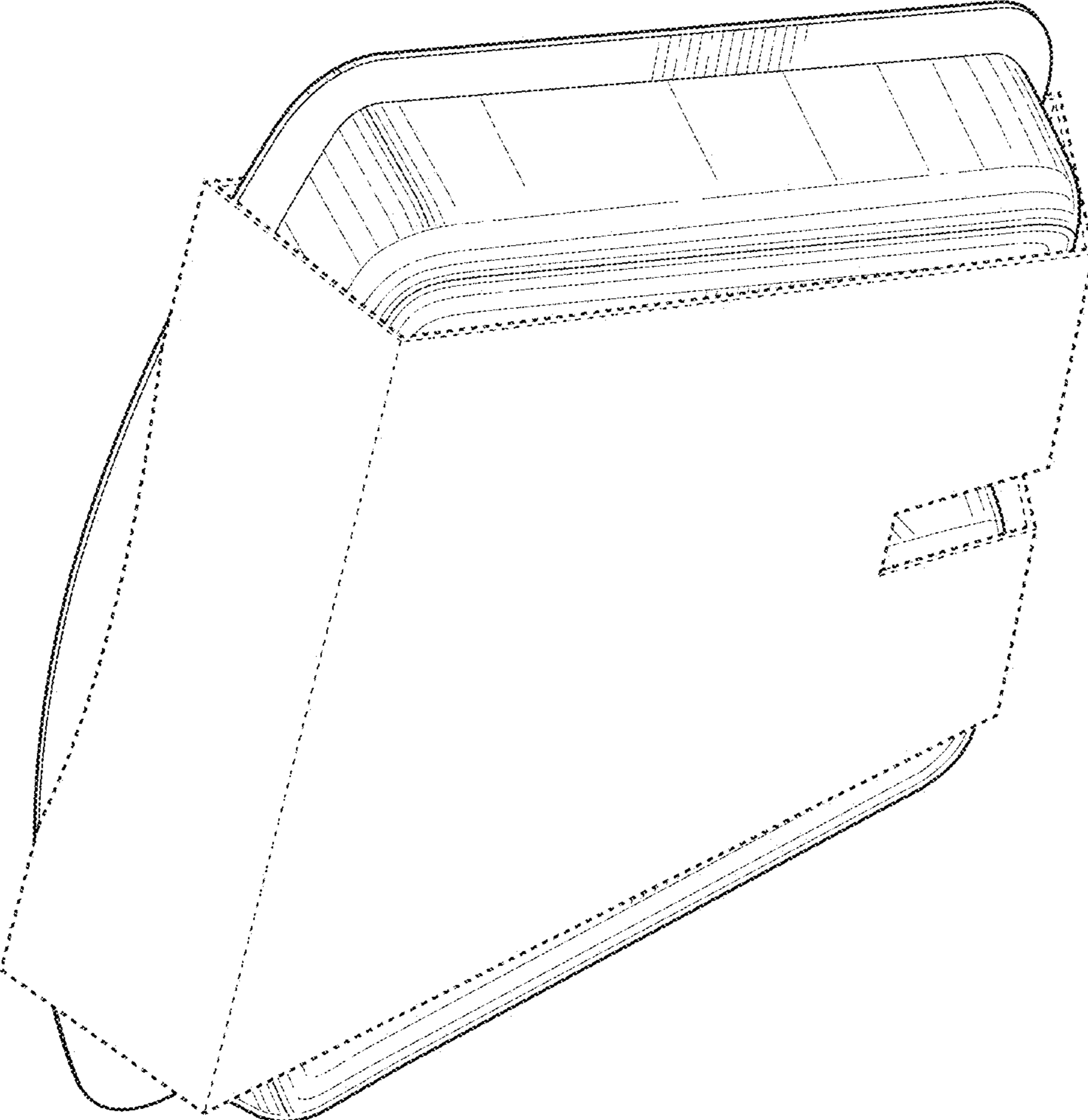


FIG. 8



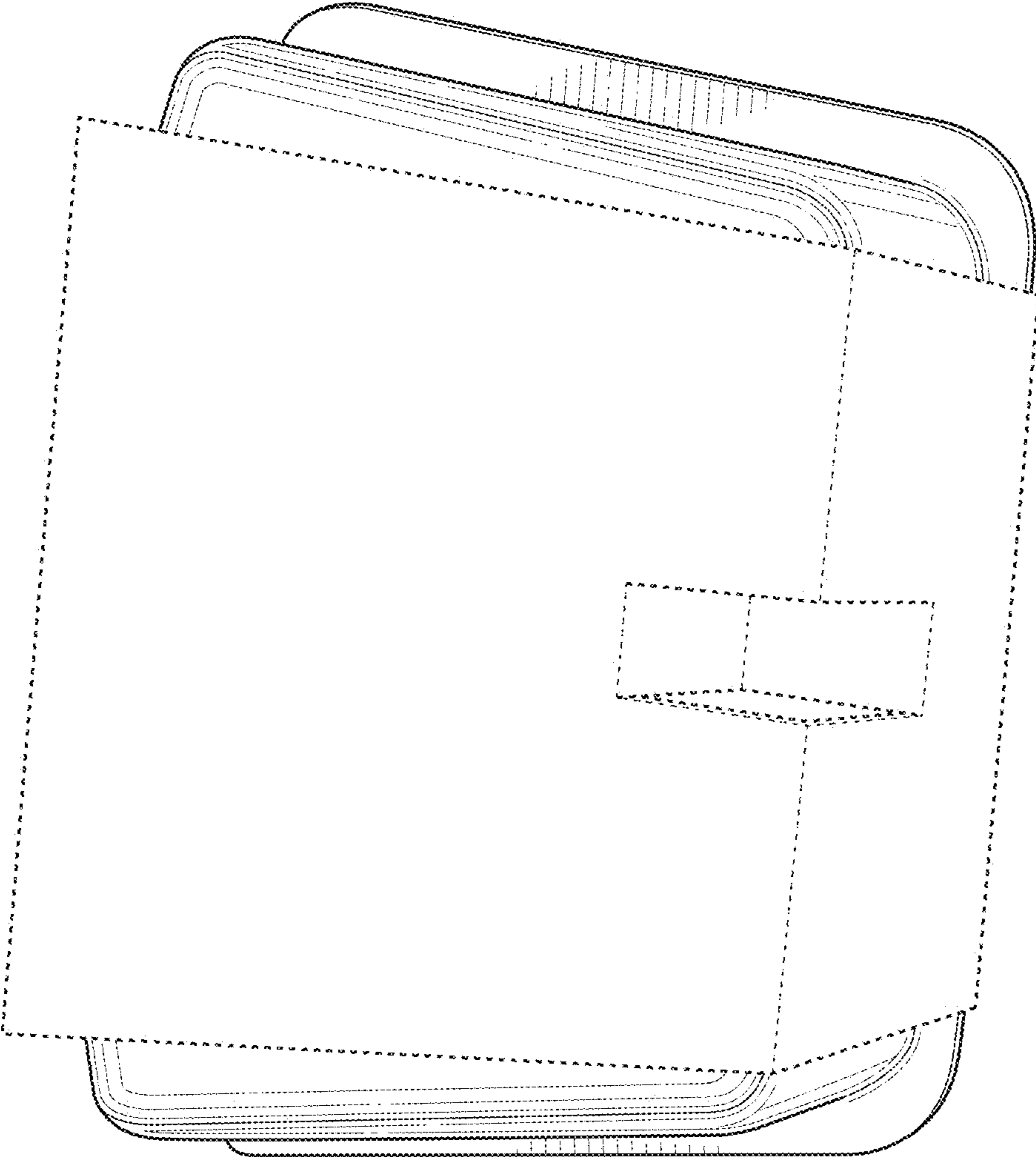


FIG. 9

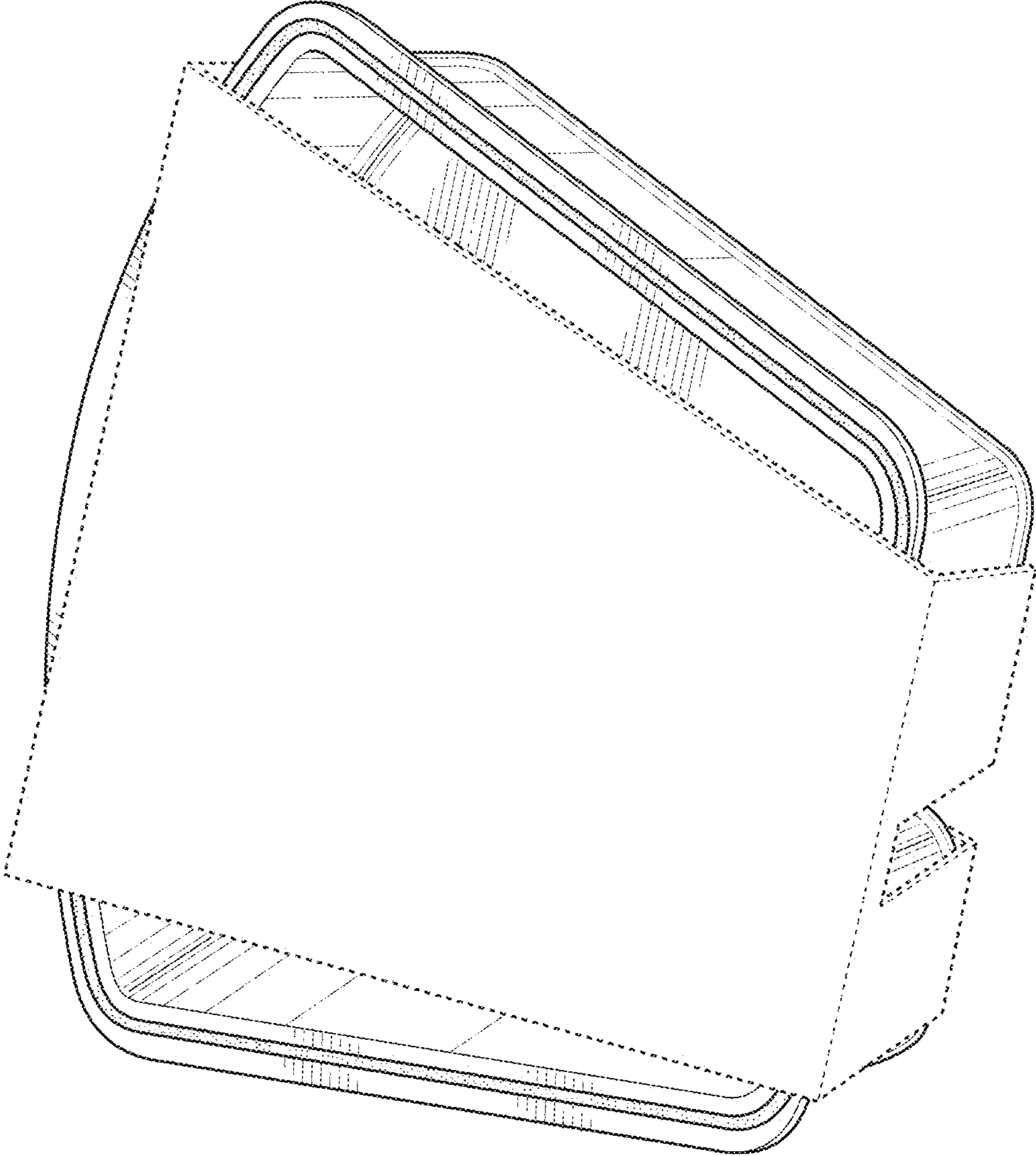


FIG. 10