



US00D873676S

(12) **United States Design Patent** (10) **Patent No.:** **US D873,676 S**
Weston (45) **Date of Patent:** **** Jan. 28, 2020**

(54) **CARTON**

(71) Applicant: **Michael H. Weston**, Chapel Hill, NC (US)

(72) Inventor: **Michael H. Weston**, Chapel Hill, NC (US)

(73) Assignee: **Key-Pak Technologies, LLC**, Wayne, NJ (US)

(**) Term: **15 Years**

(21) Appl. No.: **29/662,806**

(22) Filed: **Sep. 8, 2018**

Related U.S. Application Data

(63) Continuation of application No. 13/867,093, filed on Apr. 21, 2013, now abandoned.

(51) **LOC (12) Cl.** **09-03**

(52) **U.S. Cl.**
USPC **D9/756**; D3/203.3; D24/229

(58) **Field of Classification Search**

USPC D9/341, 347, 414-432, 440, 444, 447, D9/449-454, 503, 504, 737, 759, 761, D9/456; D7/672, 601, 550.1, 551.1, D7/551.2, 551.3, 552.1, 552.2, 553.1, D7/553.2, 553.4, 553.5, 553.7, 553.8, D7/554.1, 554.3, 555, 557, 602, 629, 630, D7/538-542, 612-615, 584, 586, 587, D7/392.1, 709, 502, 608, 622, 701, 703, D7/543-549, 317-319, 391, 392, 396.2, D7/510, 511; D3/203.1-203.8, 273, D3/201-206, 276, 283, 284, 295, 274, D3/302; 220/575, 500, 505-507, 523, 220/553, 555, 556; 206/216, 217, 206/541-550, 518, 557, 558, 561, 562, 206/564, 223, 467; 229/107, 406, 120, 229/125.17; 249/126, 134; 426/106;

(Continued)

(56) **References Cited**

U.S. PATENT DOCUMENTS

505,222 A * 9/1893 Hoff et al. B65D 73/02
206/479
1,448,864 A * 3/1923 Pinkerton B65D 5/5021
206/490

(Continued)

OTHER PUBLICATIONS

Red & White Candy Canes Box, available Sep. 10, 2014, [online], [site visited Sep. 3, 2019]. Available from internet, URL: <https://www.amazon.co.uk/White-Candy-Decoration-Supplies-Christmas/dp/B00NGR2XE0> (Year: 2014).*

Primary Examiner — W. A. Teddy Falloway

(74) *Attorney, Agent, or Firm* — Bakos & Kritzer

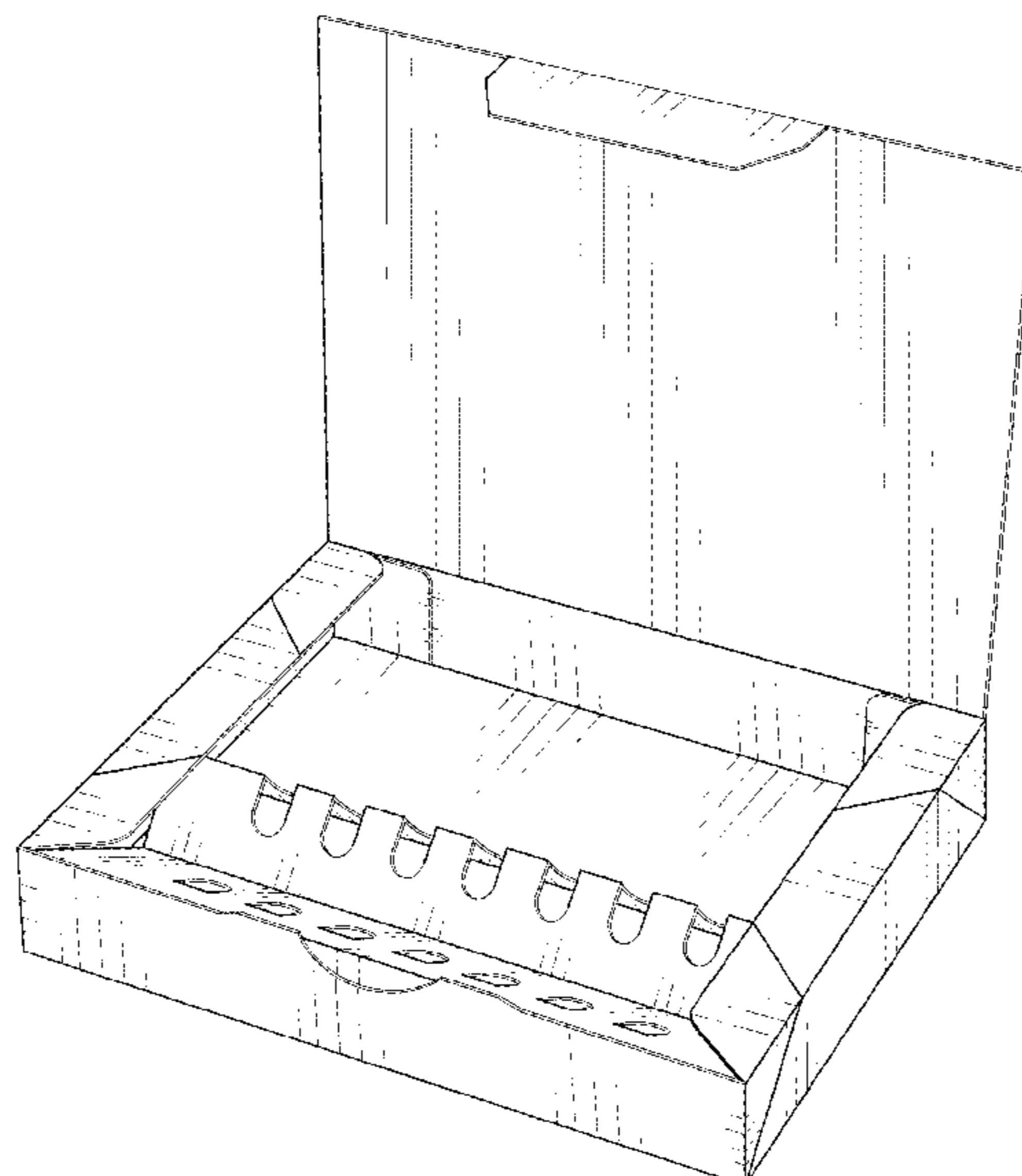
(57) **CLAIM**

The ornamental design for a carton, as shown and described.

DESCRIPTION

FIG. 1 is a perspective view of the front, right, top view of a carton, wherein the lid is in a first position;
FIG. 2 is a perspective view of the front, right, top view of a carton, wherein the lid is in a second position;
FIG. 3 is a front view thereof, wherein the lid is in the first position;
FIG. 4 is a rear view thereof, wherein the lid is in the first position;
FIG. 5 is a left view thereof, wherein the lid is in the first position;
FIG. 6 is a right view thereof, wherein the lid is in the first position;
FIG. 7 is a bottom view thereof; and,
FIG. 8 is a top view thereof, wherein the lid is in the second position.

1 Claim, 8 Drawing Sheets



(58) **Field of Classification Search**

USPC 215/211, 200, 224, 243; D24/229, 216,
 D24/224, 226, 227
 CPC B65D 85/34; B65D 85/345; B65D 43/161;
 B65D 43/162; B65D 43/16; B65D 51/28;
 B65D 2543/00194; B65D 2543/00296;
 B65D 1/24; B65D 21/0237; B65D
 2543/00101; B65D 2543/00351; B65D
 1/36; B65D 2543/00555; B65D
 2581/3425; B65D 25/04; B65D 43/0218;
 B65D 2543/00083; B65D 2543/00268;
 B65D 2543/00277; B65D 81/3453; B65D
 5/66; B65D 5/665; B65D 5/6664; B65D
 5/504; B65D 85/42; B65D 5/5061; B65D
 5/5064; A47G 19/02; A47G 19/065;
 A47G 23/0608; A47G 23/06; Y10S
 229/904; Y10S 229/902; Y10S 229/906;
 Y10S 229/917; A61M 5/008; B65B
 25/005

See application file for complete search history.

(56) **References Cited**

U.S. PATENT DOCUMENTS

1,726,732 A * 9/1929 Doran B65D 5/504
 206/755
 2,659,485 A * 11/1953 Duley A61M 5/008
 206/365
 3,084,790 A * 4/1963 Lugt, Jr. B65D 5/4802
 206/562
 3,812,957 A * 5/1974 Forbes, Jr. B65D 5/02
 206/485
 3,921,895 A * 11/1975 Ziche B65D 5/5021
 206/486

D248,451 S * 7/1978 Freed D9/759
 4,181,220 A * 1/1980 Zicko B65D 5/5035
 206/315.2
 4,193,532 A * 3/1980 Okubo B65D 5/5016
 206/488
 4,450,965 A * 5/1984 Paillet B65D 85/42
 206/443
 4,753,345 A * 6/1988 Goodsir A61M 5/008
 206/365
 4,951,813 A * 8/1990 Sauter B65D 5/5021
 206/420
 D321,559 S * 11/1991 Kienholz D24/111
 D351,104 S * 10/1994 Kapp D9/423
 5,474,171 A * 12/1995 Niesen B65D 5/5021
 206/372
 5,494,166 A * 2/1996 Kuwata B65D 5/5011
 206/528
 5,505,309 A * 4/1996 Taravella B65D 5/5021
 206/485
 5,829,587 A * 11/1998 Saiki B65D 5/4208
 206/327
 7,097,043 B2 * 8/2006 Hsu B65D 5/22
 206/320
 D528,411 S * 9/2006 Nehus D9/432
 D669,352 S * 10/2012 Paslawski D9/423
 8,646,608 B2 * 2/2014 Struthers B65D 85/72
 206/476
 D731,325 S * 6/2015 Loessin D9/737
 D770,058 S * 10/2016 Sharpe D24/227
 2004/0084348 A1 * 5/2004 Nash, Jr. B65D 71/72
 206/562
 2007/0261990 A1 * 11/2007 Weston B65D 5/5021
 206/784
 2014/0312109 A1 * 10/2014 Weston B65D 5/6655
 229/120.08

* cited by examiner

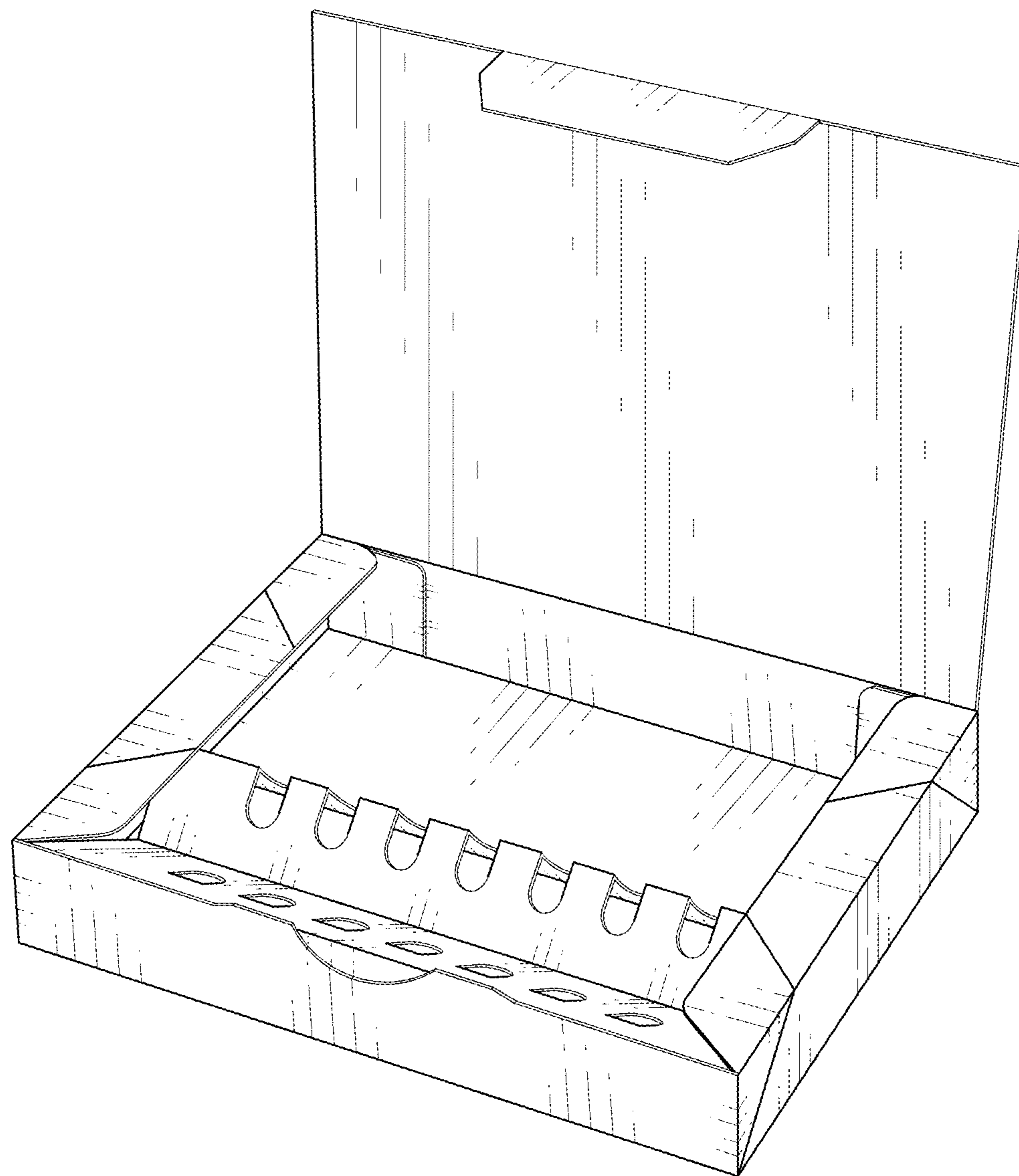


FIG. 1

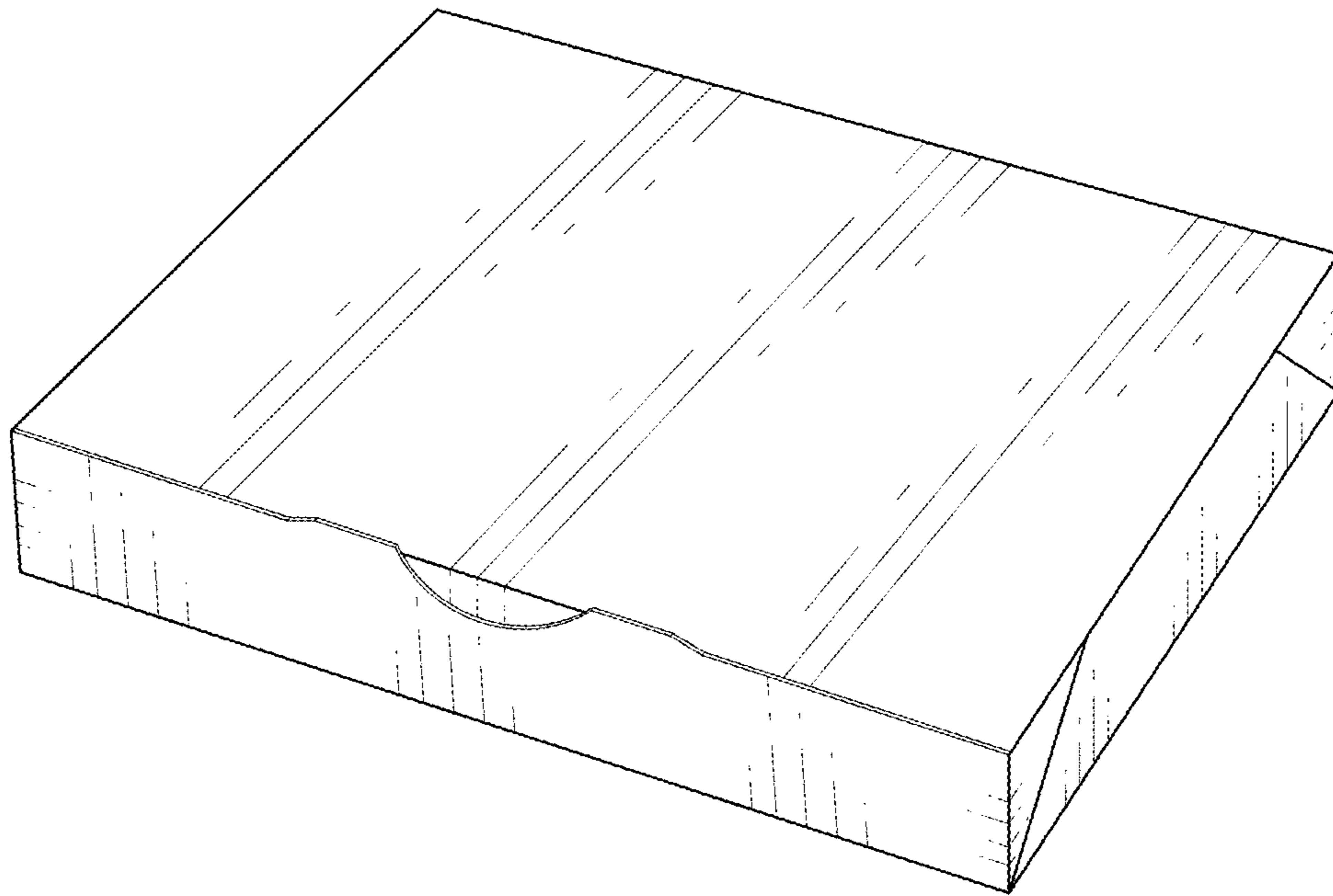


FIG. 2

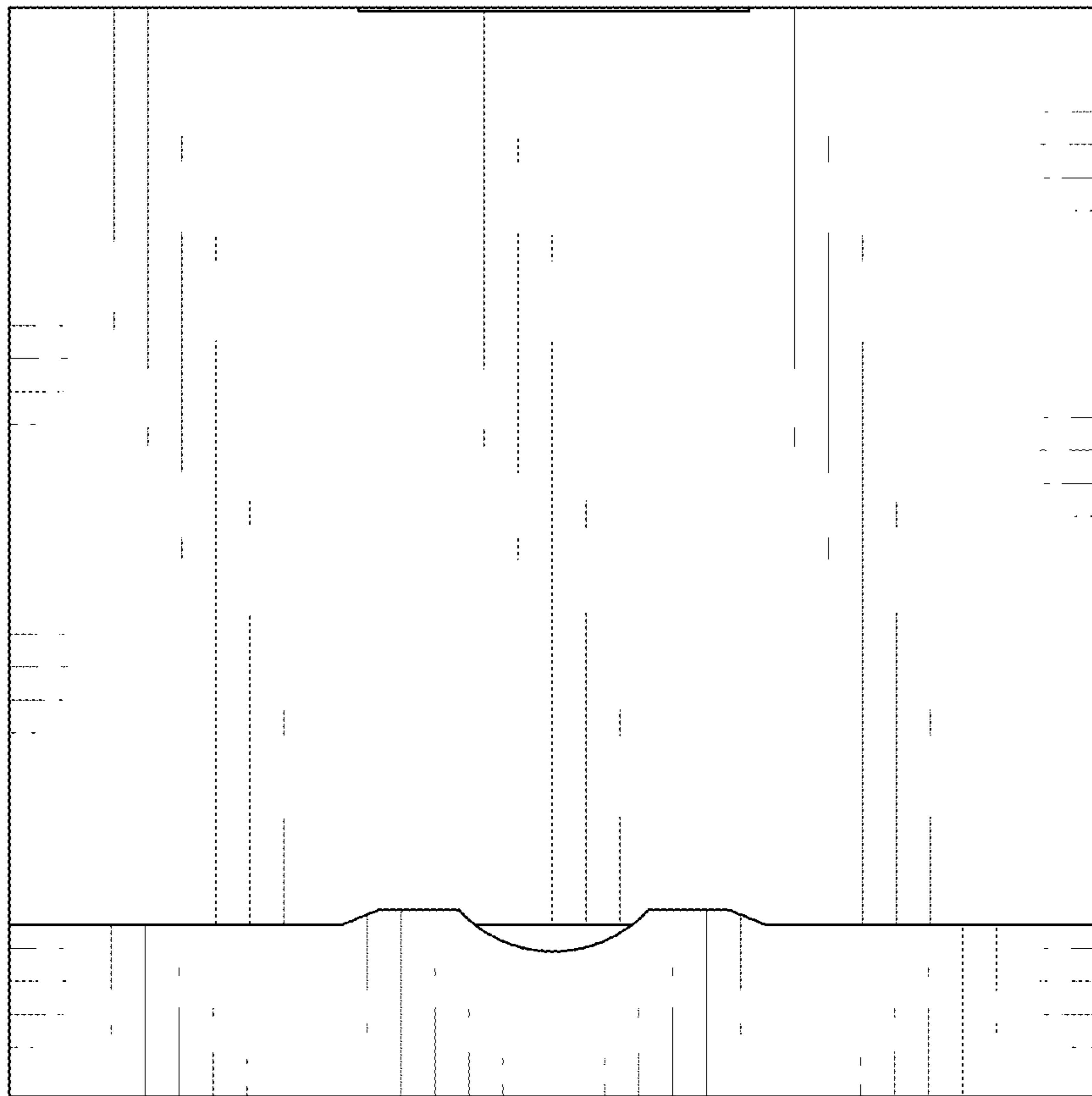


FIG. 3

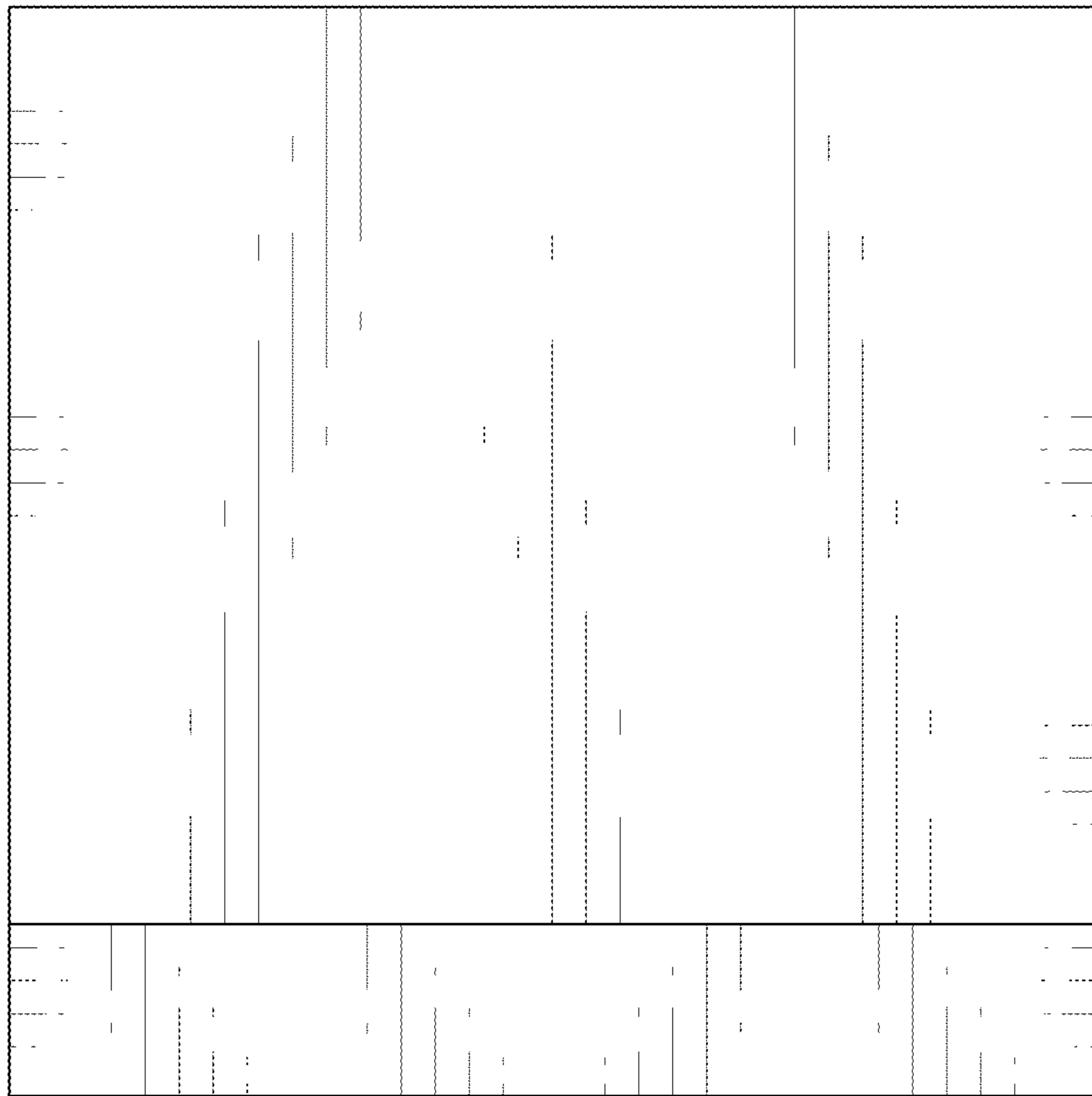


FIG. 4

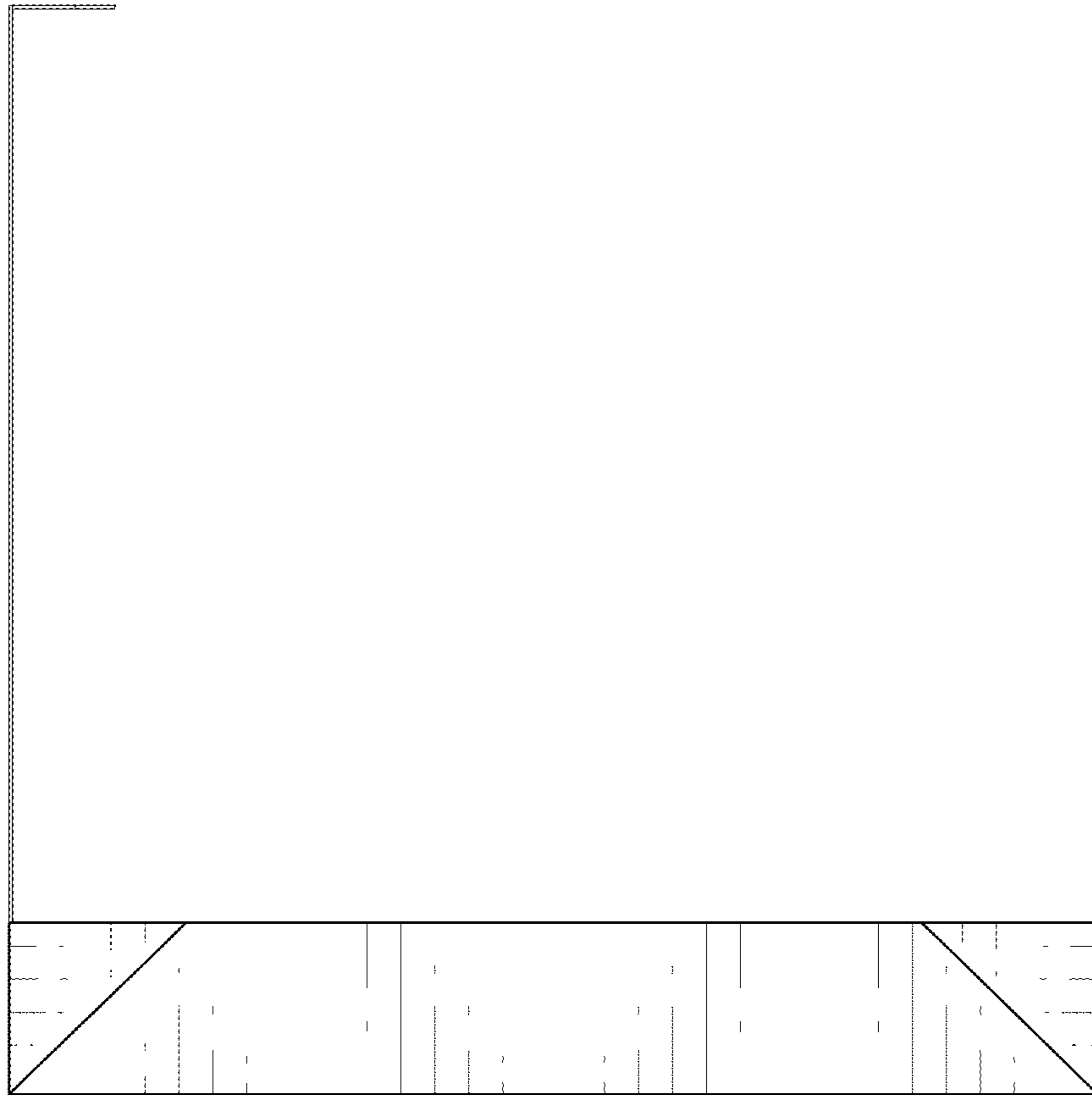


FIG. 5

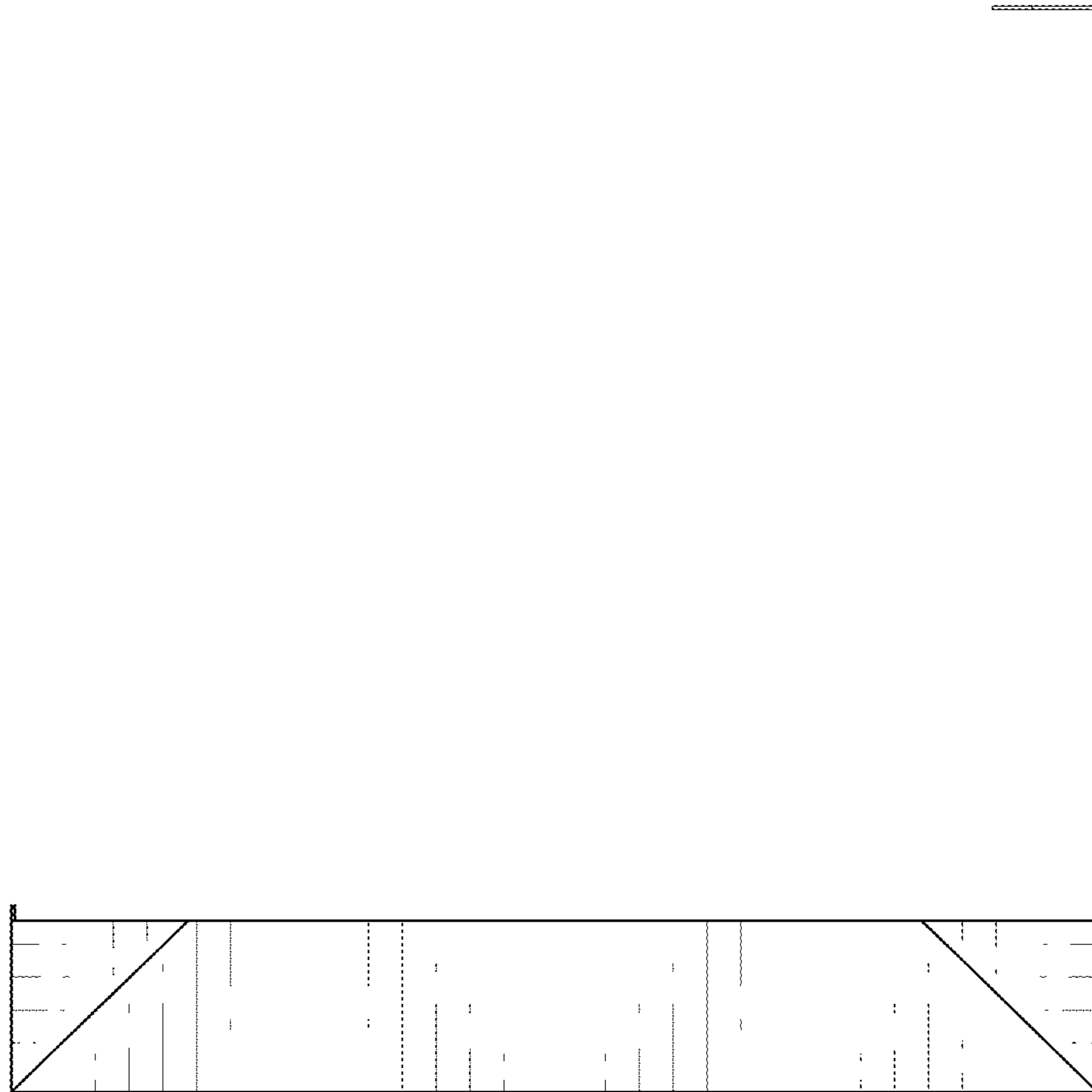


FIG. 6

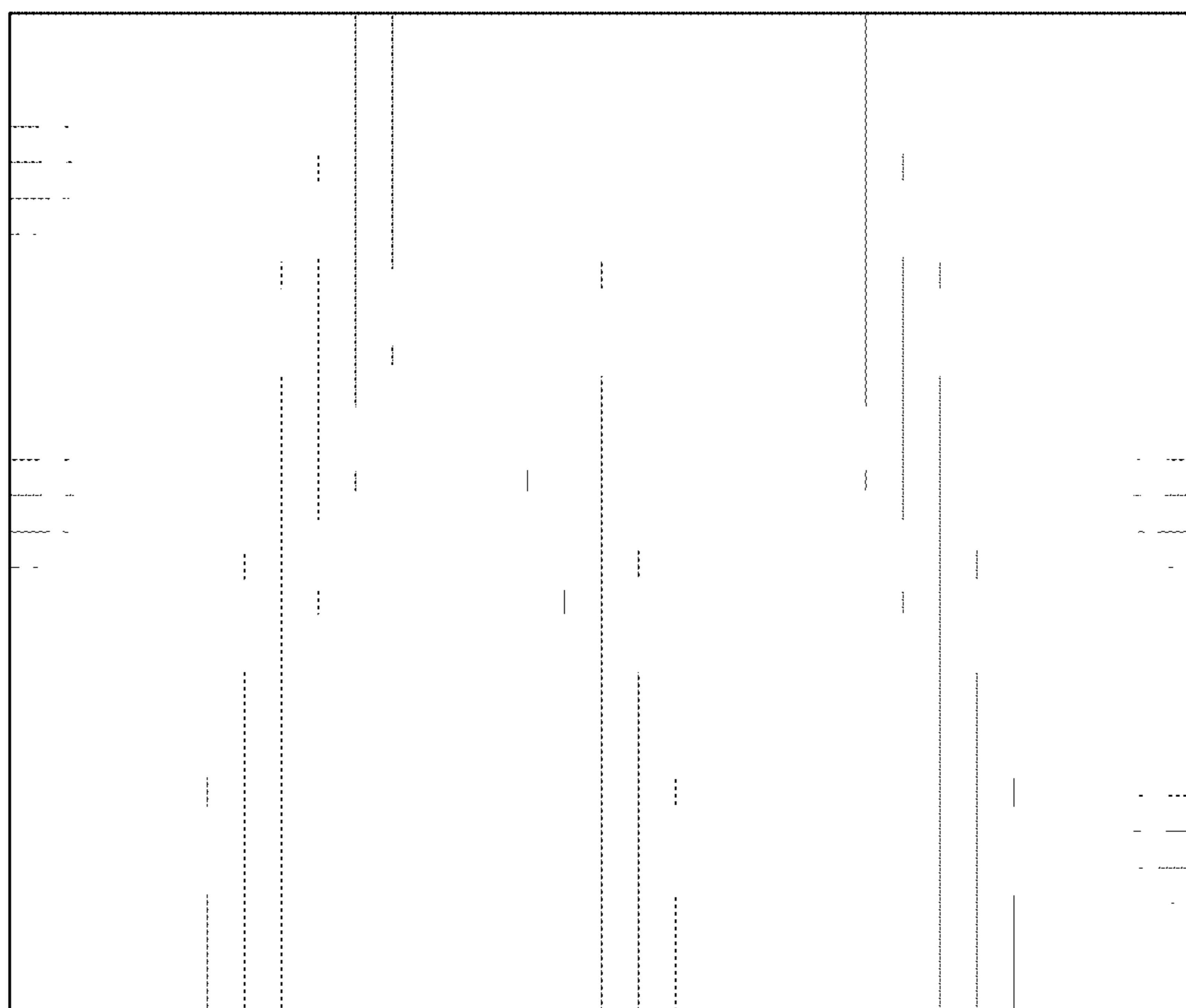


FIG. 7

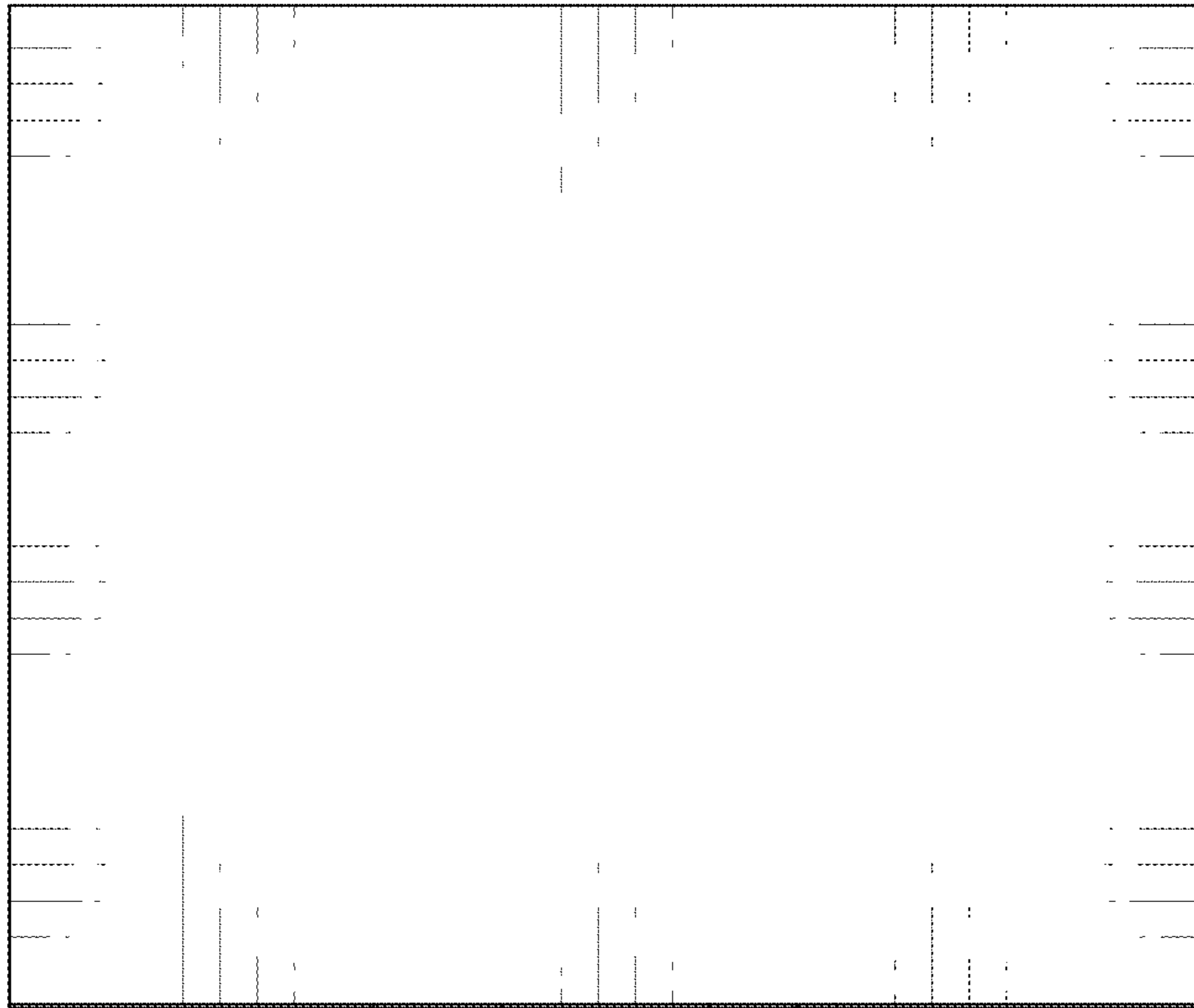


FIG. 8