



US00D873675S

(12) **United States Design Patent**
Yu et al.

(10) **Patent No.:** **US D873,675 S**
(45) **Date of Patent:** **** *Jan. 28, 2020**

(54) **FLAT-BOTTOMED, SIDE-GUSSETED
PRODUCE POUCH**

B65D 33/12; B65D 33/16; B65D 33/10;
B65D 33/2591

See application file for complete search history.

(71) Applicants: **Xiaowei Duke Yu**, Oakville (CA);
Philip D. Beach, III, Southbury, CT
(US)

(56) **References Cited**

U.S. PATENT DOCUMENTS

1,355,353	A	10/1920	Pease
3,537,360	A	11/1970	Farnam
D258,204	S	2/1981	Rudenschold
D263,899	S	4/1982	Lynn
D278,974	S	5/1985	Ray
D319,780	S	9/1991	Laaki
5,265,961	A	11/1993	Boyd
5,741,076	A	4/1998	Cammack
D394,604	S	5/1998	Cammack
5,882,120	A	3/1999	Bell
6,024,489	A	2/2000	Fox et al.

(Continued)

Primary Examiner — Abraham Bahta

(74) *Attorney, Agent, or Firm* — Thomas P. O’Connell;
O’Connell Law Firm

(72) Inventors: **Xiaowei Duke Yu**, Oakville (CA);
Philip D. Beach, III, Southbury, CT
(US)

(*) Notice: This patent is subject to a terminal disclaimer.

(**) Term: **15 Years**

(21) Appl. No.: **29/654,024**

(22) Filed: **Jun. 20, 2018**

(51) **LOC (12) Cl.** **09-05**

(52) **U.S. Cl.**
USPC **D9/709**

(58) **Field of Classification Search**
USPC D9/702–714, 414–415, 418–419,
D9/430–431, 434, 424, 631, 737, 560;
206/236, 242, 286–287, 260, 271, 273;
211/85.3; 229/103.2, 87.01, 116.1, 87.05,
229/87.19, 117.12, 100; 150/100, 107,
150/112, 118; D27/186–191, 183;
D3/273, 299–301, 232, 276, 295, 303,
D3/226, 240, 315, 203.1; 383/108–109,
383/105–114, 121.1, 33, 200, 61.1, 42,
383/119–120; D24/118, 121; 426/106;
222/92, 107, 215
CPC A45C 1/02; B65D 81/00; B65D 65/38;
B65D 65/02; B65D 65/00; B65D 33/00;
B65D 33/01; B65D 33/04; B65D 33/06;

(57) **CLAIM**

We claim the ornamental design for a flat-bottomed, side-gusseted produce pouch, as shown and described.

DESCRIPTION

FIG. 1 is a perspective view of a flat-bottomed, side-gusseted produce pouch according to our invention in a standing configuration;
FIG. 2 is a front elevation view thereof;
FIG. 3 is a rear elevation view thereof;
FIG. 4 is a right side view thereof;
FIG. 5 is a left side view thereof;
FIG. 6 is a bottom plan view thereof;
FIG. 7 is a top plan view thereof;
FIG. 8 is a perspective view thereof in a folded configuration;
FIG. 9 is a perspective view thereof in a folded, standing configuration;
FIG. 10 is a perspective view thereof in an open, standing configuration; and,

(Continued)

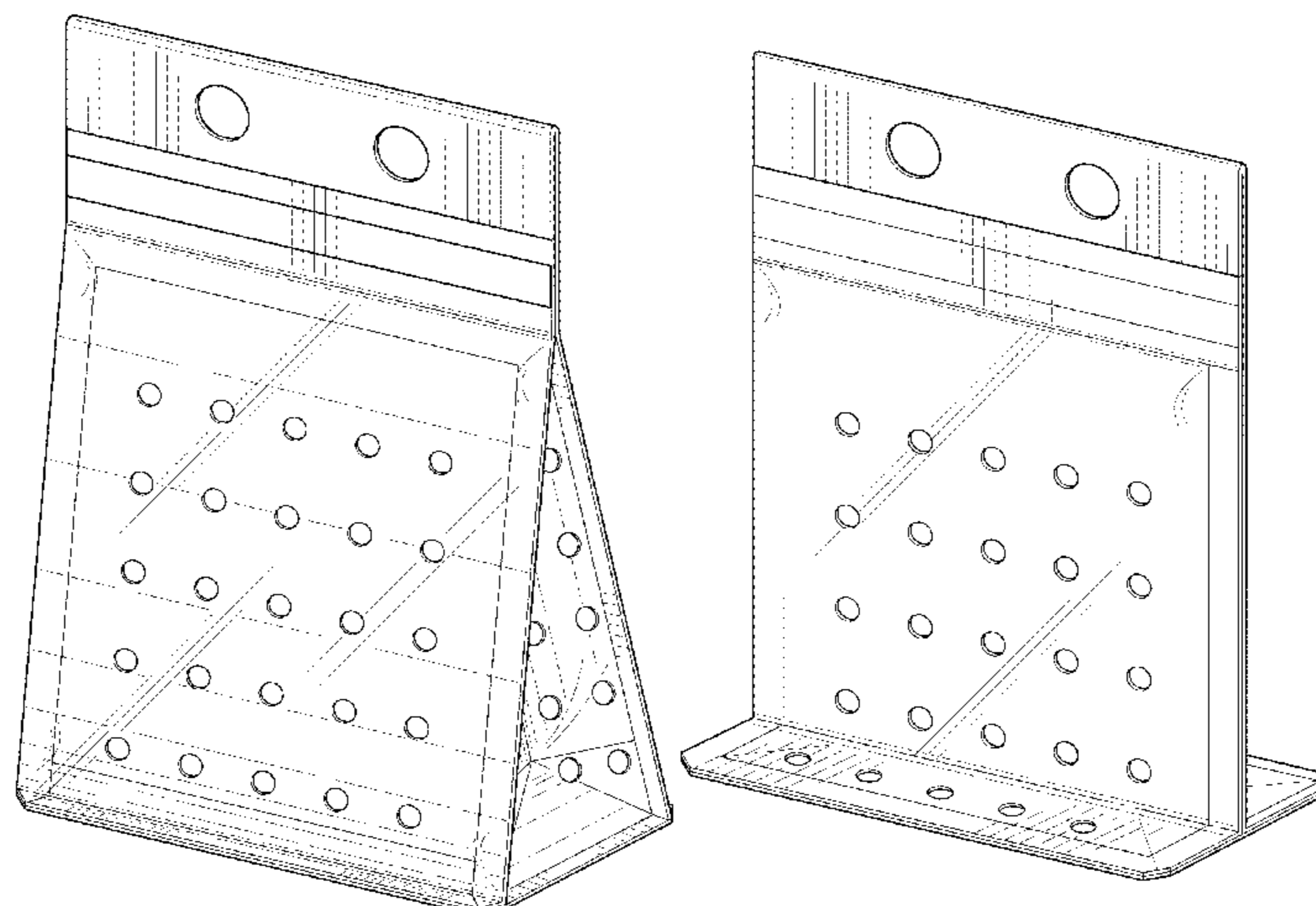


FIG. 11 is an alternative perspective view thereof in an open, standing configuration.

1 Claim, 10 Drawing Sheets

(56)

References Cited

U.S. PATENT DOCUMENTS

6,416,220	B1	7/2002	Fox et al.	
6,626,570	B2	9/2003	Fox et al.	
6,974,406	B2	12/2005	Antonacci	
7,163,339	B1	1/2007	Hefner	
D544,369	S	6/2007	Liu	
D548,458	S	8/2007	Gregson, III et al.	
D592,074	S	5/2009	Johnson	
D600,135	S	9/2009	Valentine et al.	
7,798,715	B2	9/2010	Hefner	
D665,269	S	8/2012	Robitaille	
D684,369	S	6/2013	Daigle et al.	
D715,158	S *	10/2014	Chen	D9/707
D719,035	S	12/2014	Martin et al.	
D720,237	S	12/2014	Maglio, Jr.	
D747,219	S	1/2016	Yu et al.	
D764,940	S *	8/2016	Garcia	D9/703
D779,972	S *	2/2017	Yu	D9/709
D794,474	S *	8/2017	Pape	D9/710
D833,299	S *	11/2018	Han	D9/707

* cited by examiner

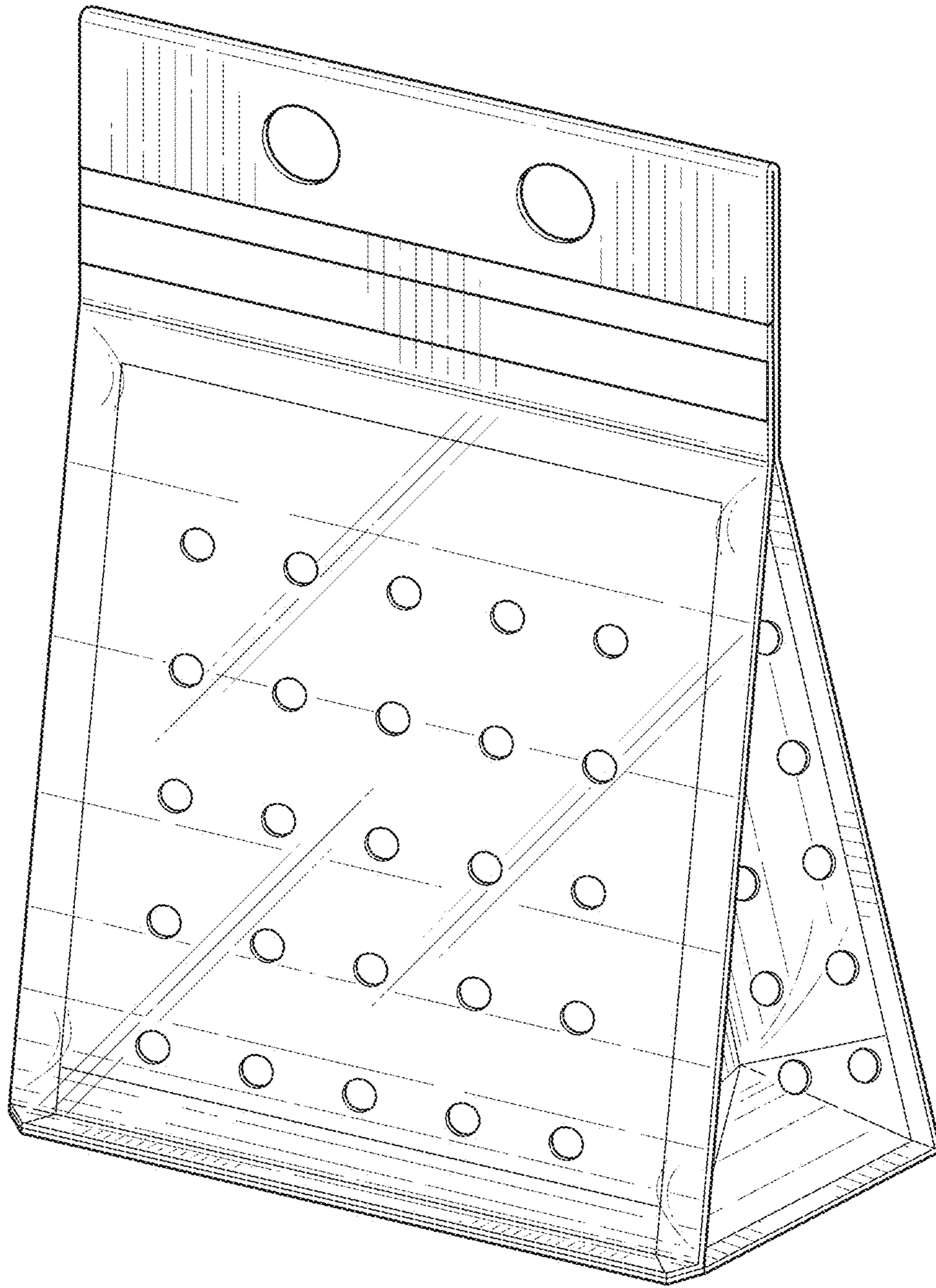


FIG. 1

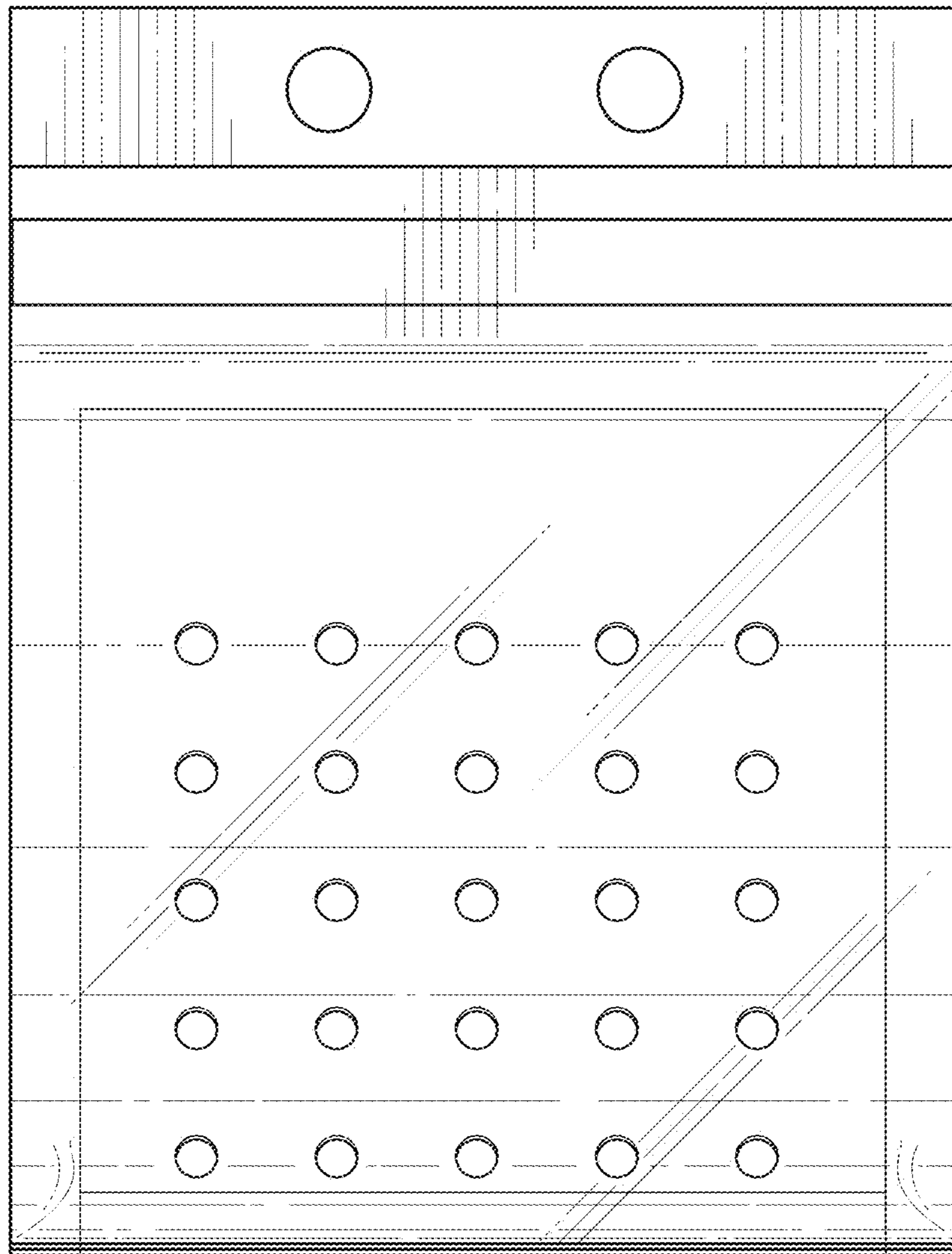


FIG. 2

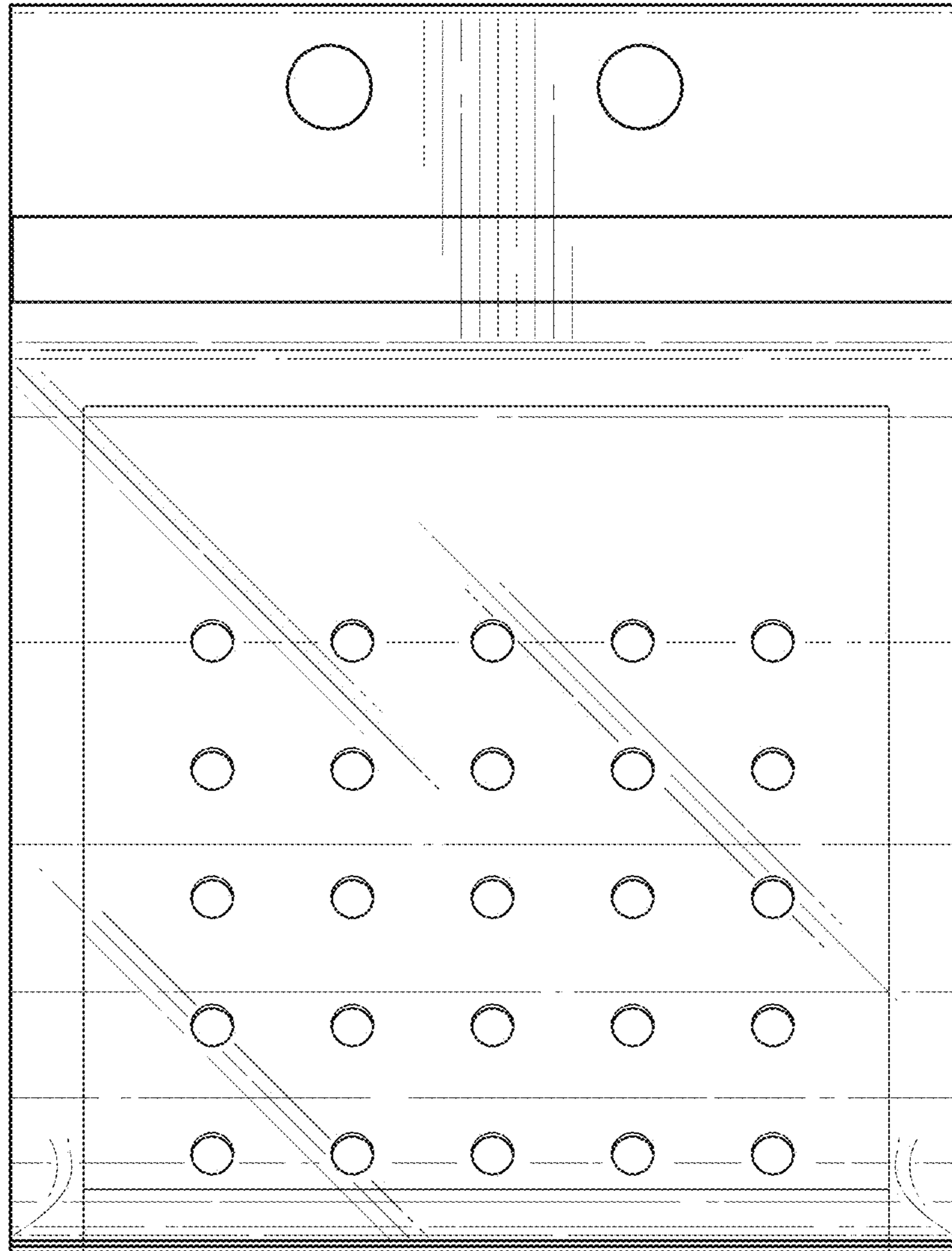


FIG. 3

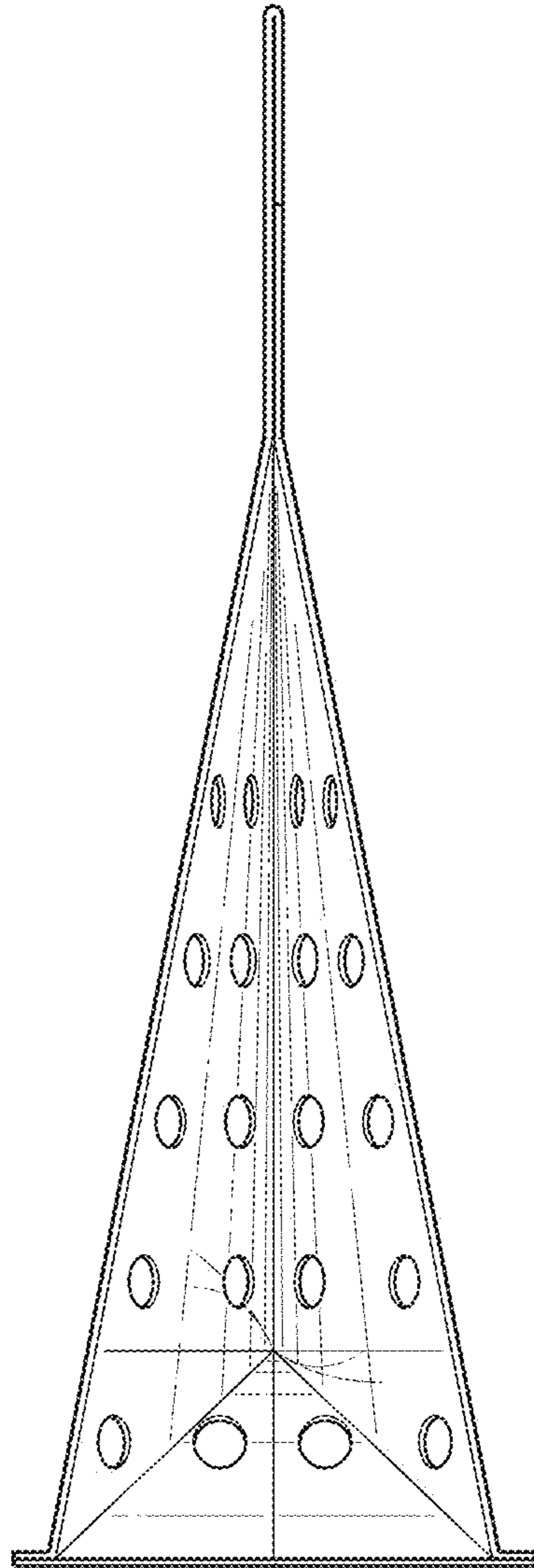


FIG. 4

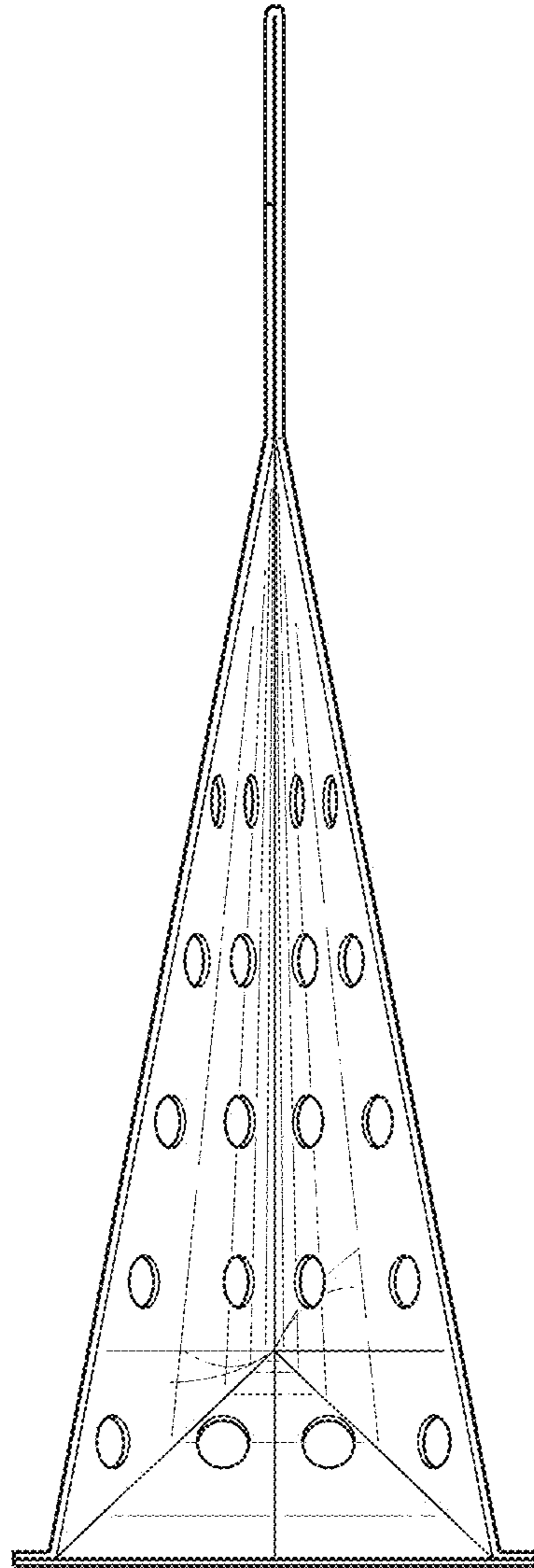


FIG. 5

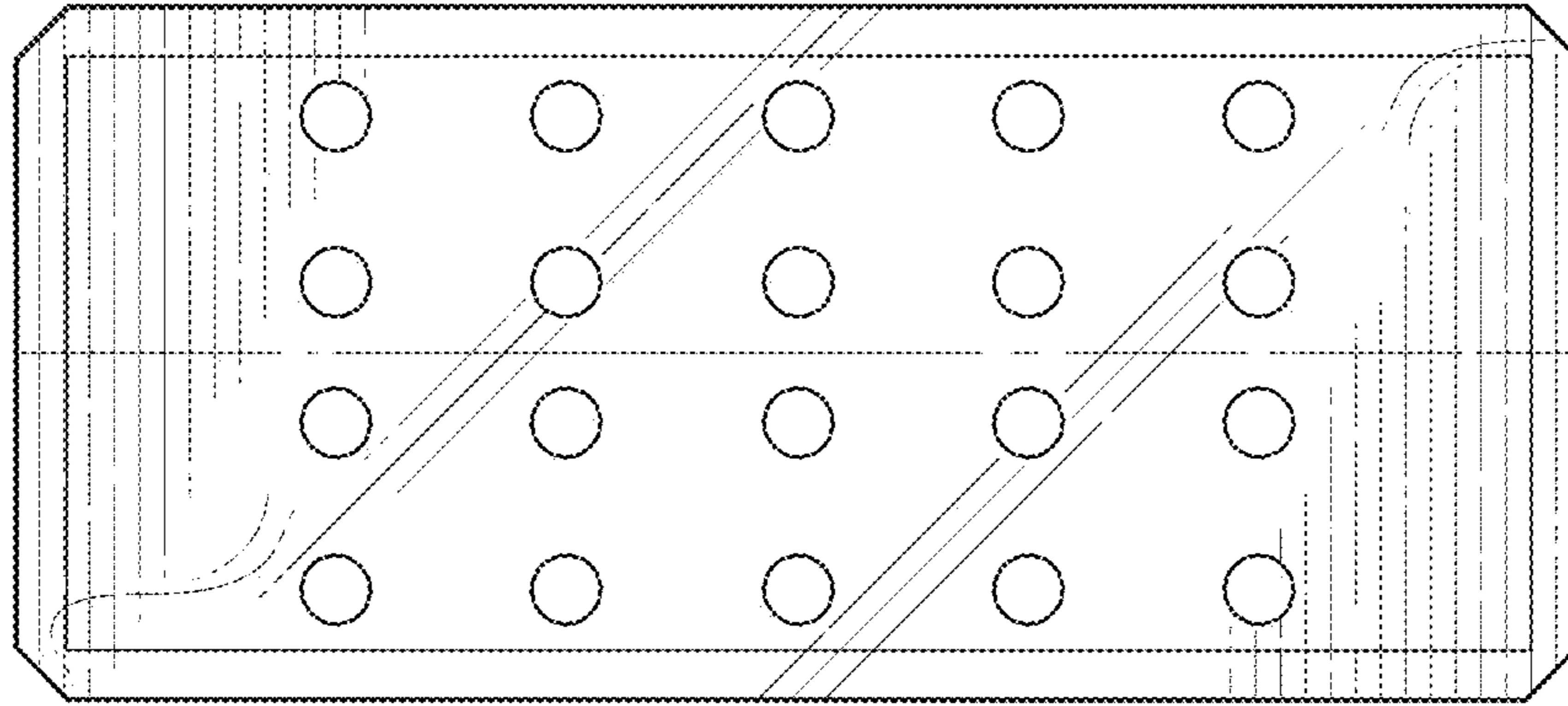


FIG. 6

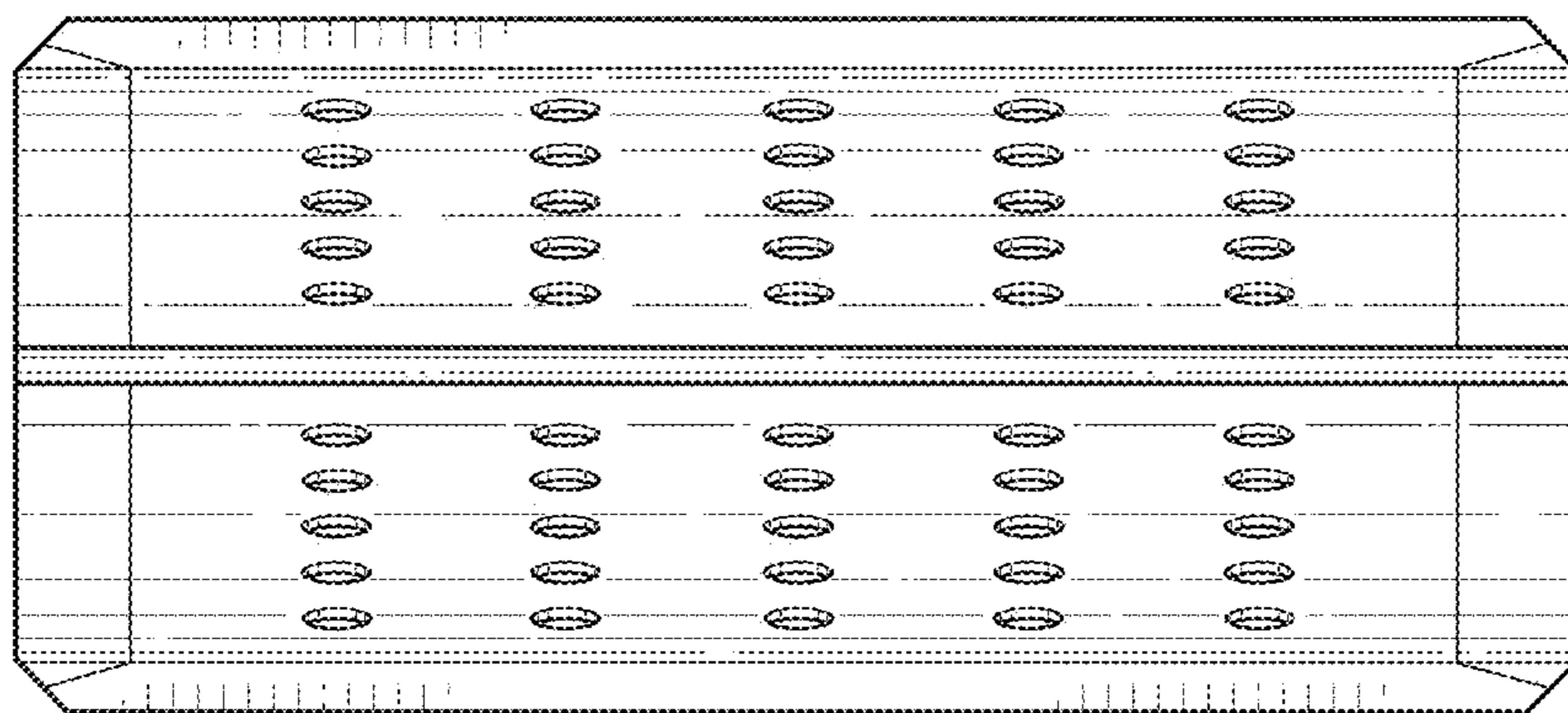


FIG. 7

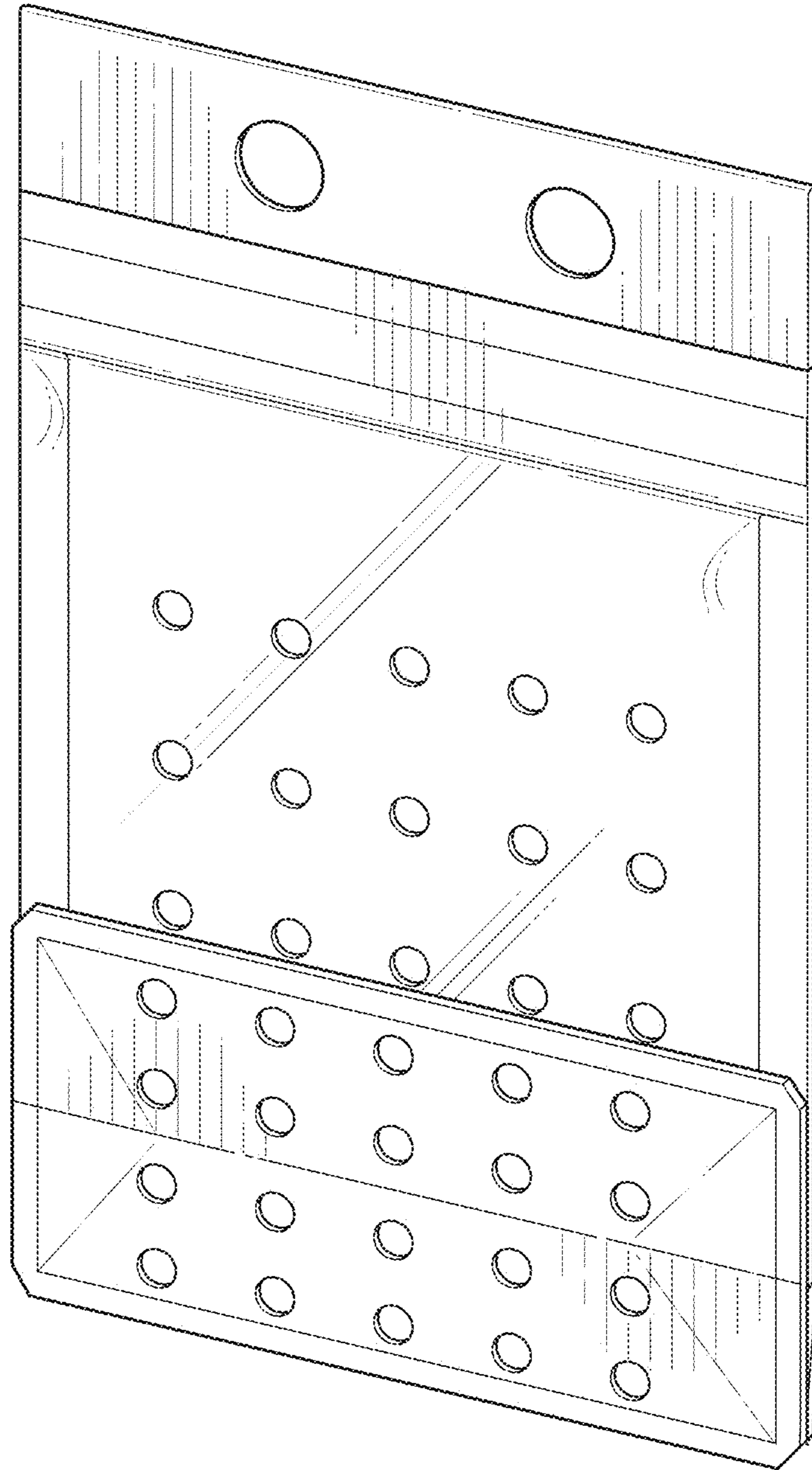


FIG. 8

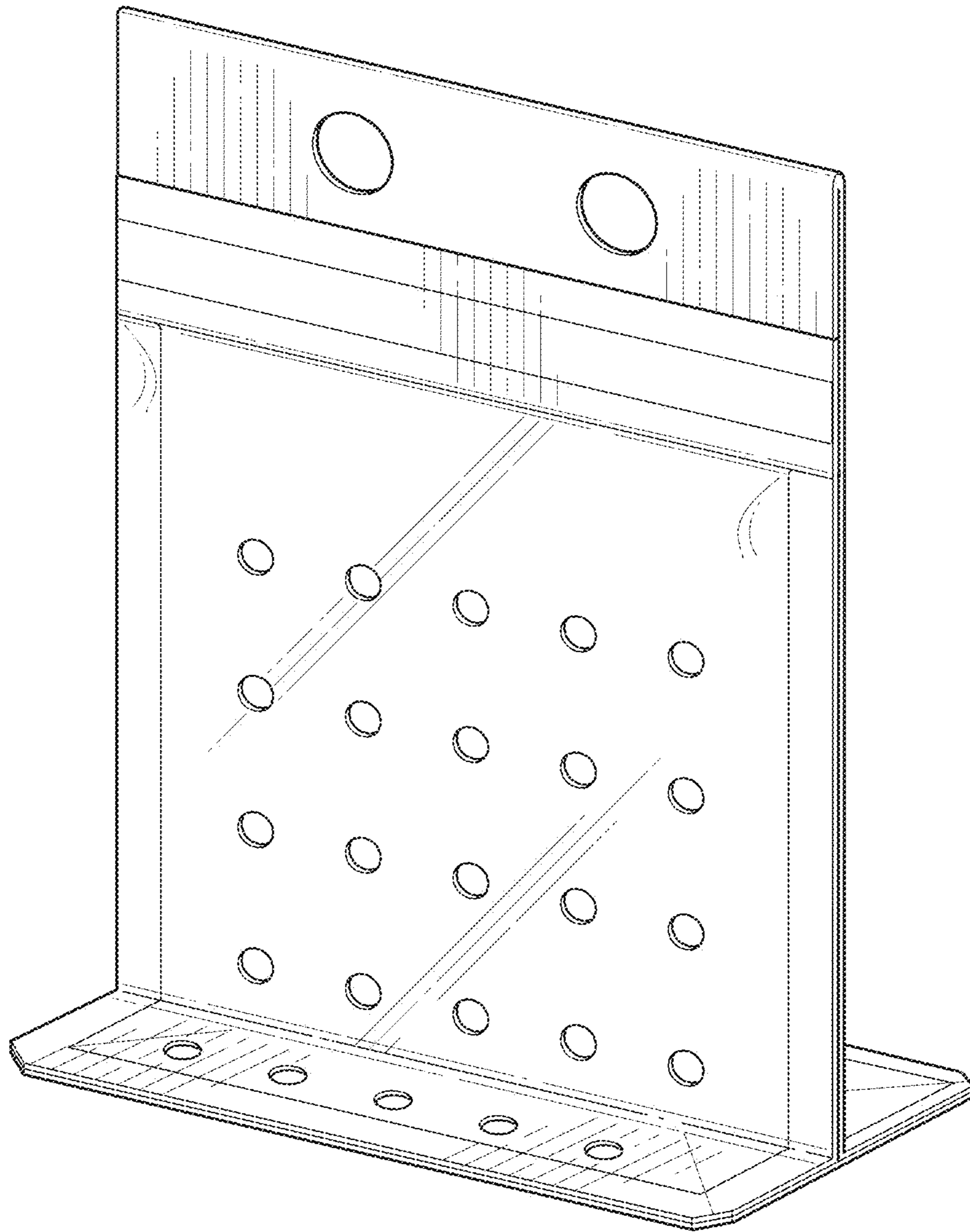


FIG. 9

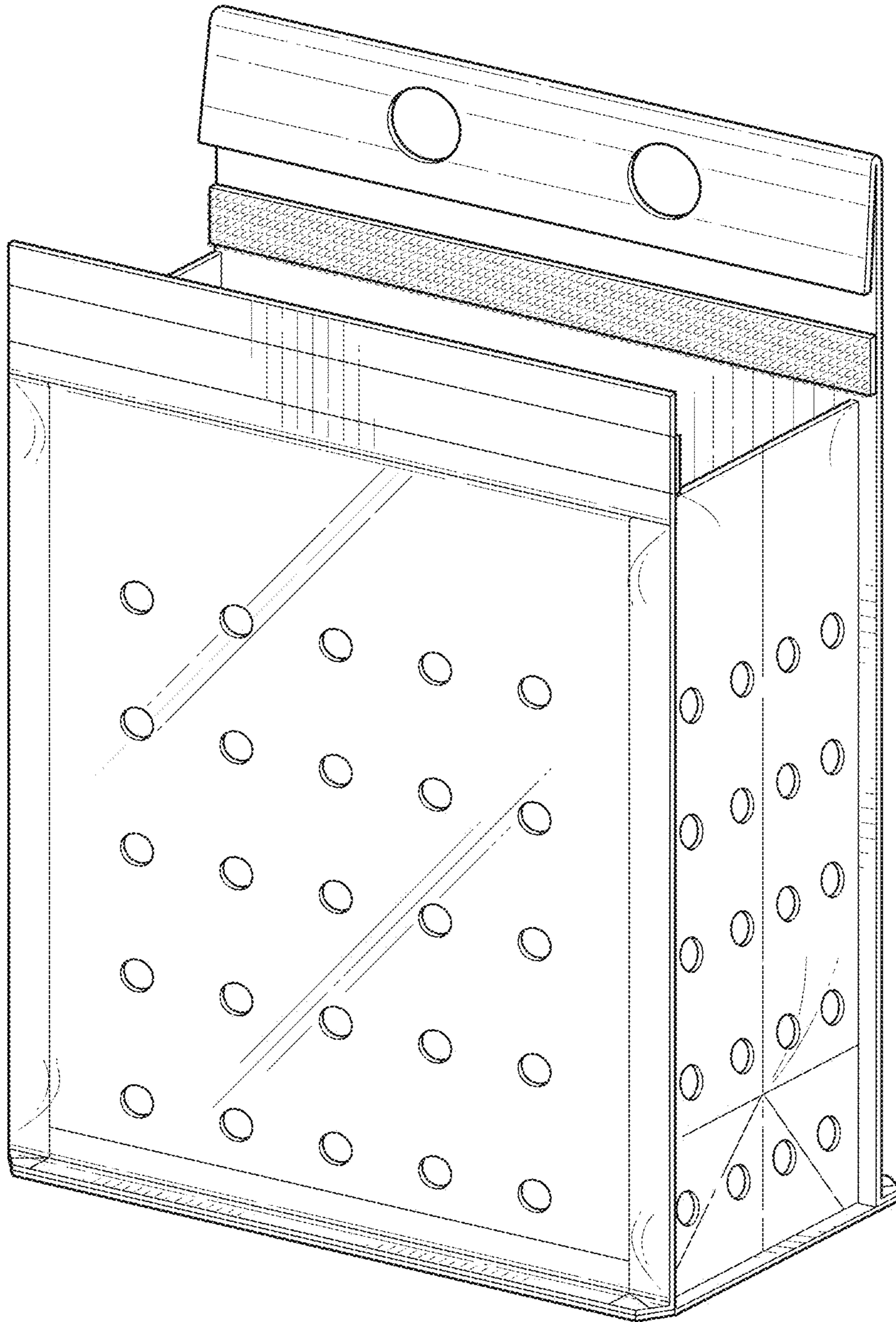


FIG. 10

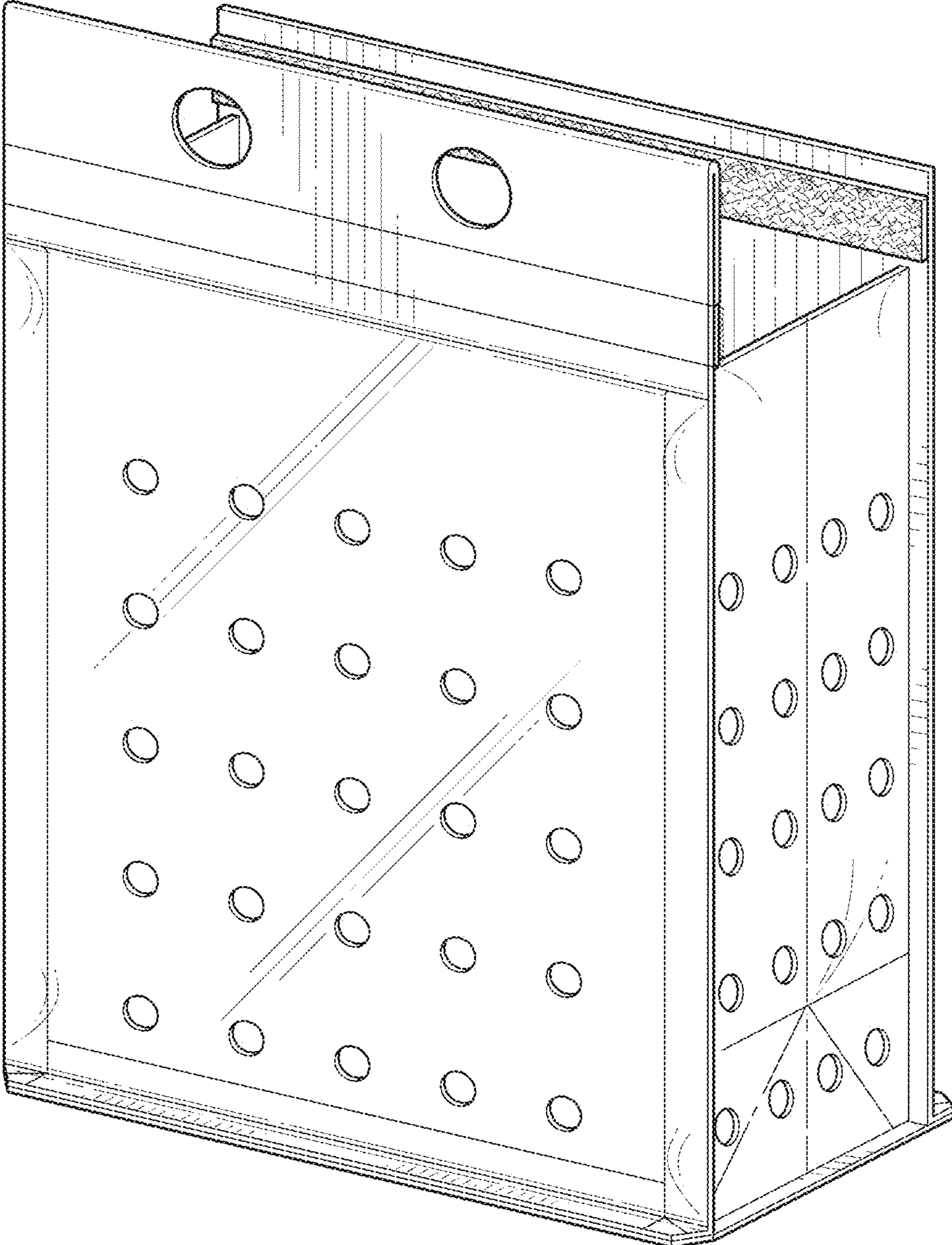


FIG. 11