

US00D873674S

(12) **United States Design Patent**
Yu et al.

(10) **Patent No.: US D873,674 S**

(45) **Date of Patent: ** *Jan. 28, 2020**

(54) **FLAT-BOTTOMED, SIDE-GUSSETED
PRODUCE POUCH**

(71) Applicants: **Xiaowei Duke Yu**, Oakville (CA);
Philip D. Beach, III, Southbury, CT
(US)

(72) Inventors: **Xiaowei Duke Yu**, Oakville (CA);
Philip D. Beach, III, Southbury, CT
(US)

(*) Notice: This patent is subject to a terminal disclaimer.

(**) Term: **15 Years**

(21) Appl. No.: **29/654,019**

(22) Filed: **Jun. 20, 2018**

(51) **LOC (12) Cl.** **09-05**

(52) **U.S. Cl.**
USPC **D9/709**

(58) **Field of Classification Search**

USPC D9/702-714, 414-415, 418-419,
D9/430-431, 434, 424, 631, 737, 560;
206/236, 242, 286-287, 260, 271, 273;
211/85.3; 229/103.2, 87.01, 116.1, 87.05,
229/87.19, 117.12, 100; 150/100, 107,
150/112, 118; D27/186-191, 183;
D3/273, 299-301, 232, 276, 295, 303,
D3/226, 240, 315, 203.1; 383/105-114,
383/121.1, 33, 200, 61.1, 42, 119-120;
D24/118, 121; 426/106; 222/92, 107,
222/215

CPC A45C 1/02; B65D 81/00; B65D 65/38;
B65D 65/02; B65D 65/00; B65D 33/00;
B65D 33/01; B65D 33/04; B65D 33/06;

(Continued)

(56) **References Cited**

U.S. PATENT DOCUMENTS

1,355,353 A 10/1920 Pease
3,537,360 A 11/1970 Farnam
D258,204 S 2/1981 Rudenschold

(Continued)

Primary Examiner — Abraham Bahta

(74) *Attorney, Agent, or Firm* — Thomas P. O’Connell;
O’Connell Law Firm

(57) **CLAIM**

We claim the ornamental design for a flat-bottomed, side-gusseted produce pouch, as shown and described.

DESCRIPTION

FIG. 1 is a perspective view of a flat-bottomed, side-gusseted produce pouch with a slider closure according to our invention in a standing configuration;

FIG. 2 is a front elevation view thereof;

FIG. 3 is a rear elevation view thereof;

FIG. 4 is a right side view thereof;

FIG. 5 is a left side view thereof;

FIG. 6 is a bottom plan view thereof;

FIG. 7 is a top plan view thereof;

FIG. 8 is a perspective view of the flat-bottomed, side-gusseted produce pouch with a zipper closure in a standing configuration;

FIG. 9 is a front elevation view thereof;

FIG. 10 is a rear elevation view thereof;

FIG. 11 is a right side view thereof;

FIG. 12 is a left side view thereof;

FIG. 13 is a bottom plan thereof;

FIG. 14 is a top plan view thereof;

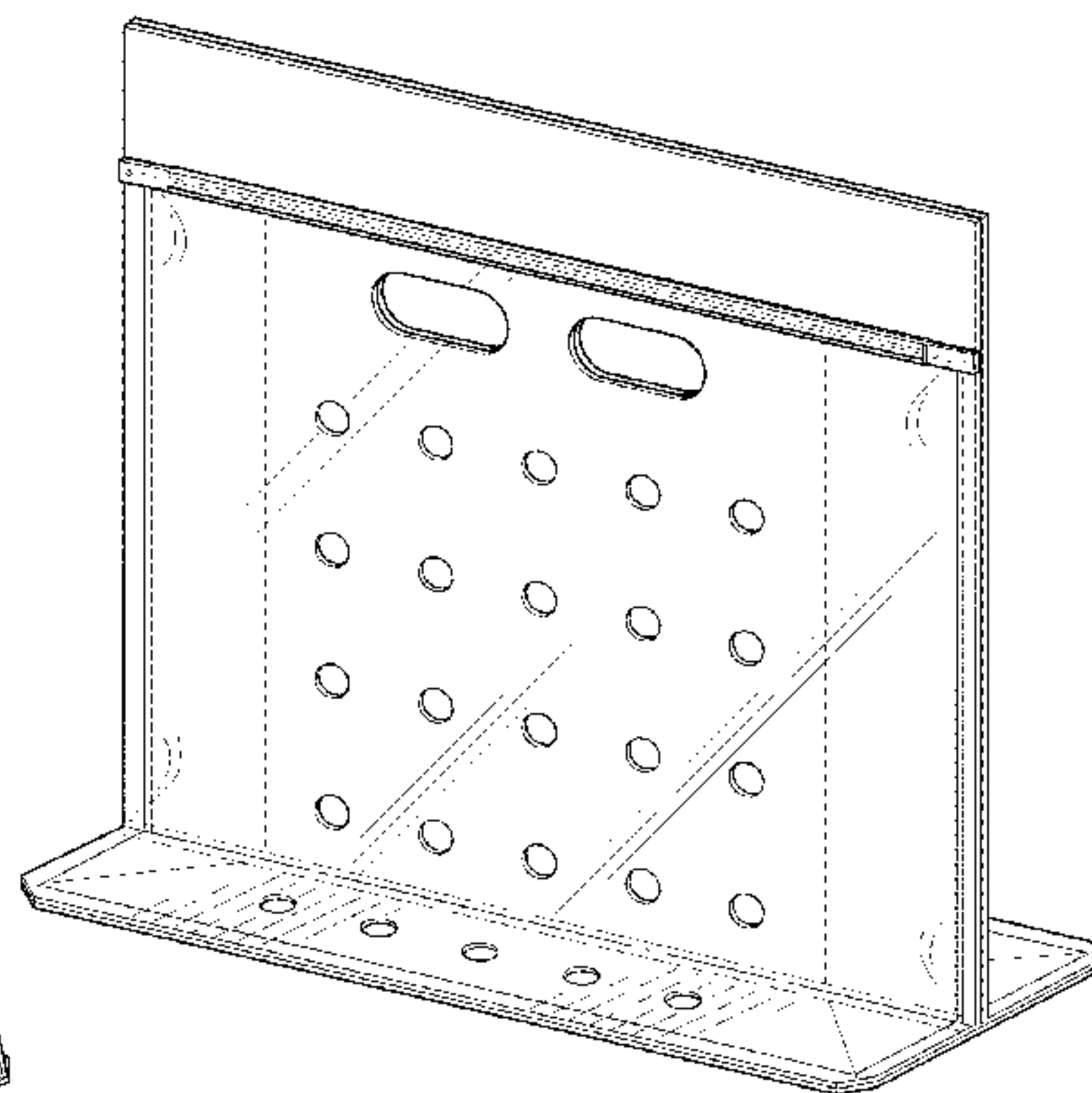
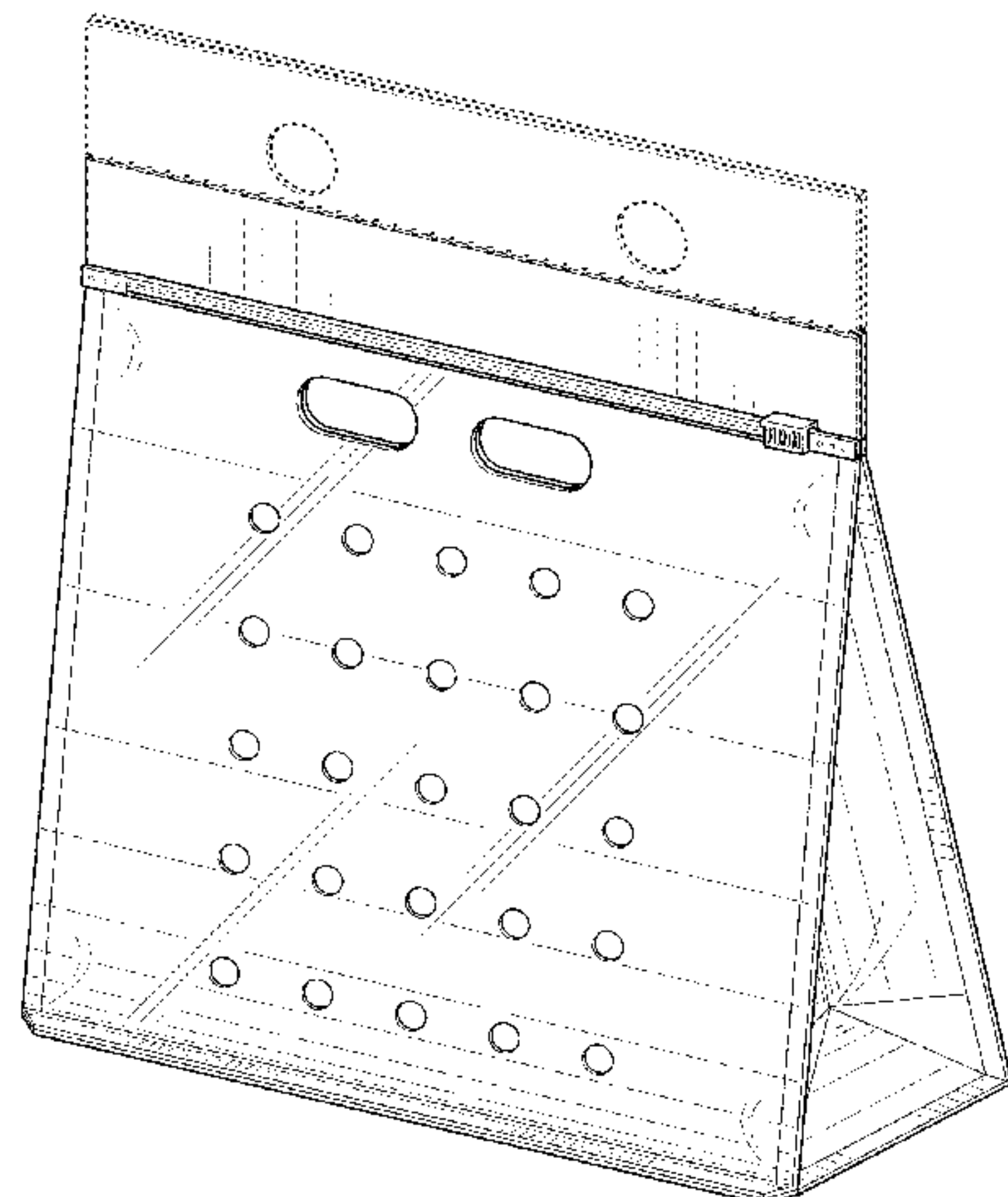
FIG. 15 is a perspective view thereof in a folded configuration;

FIG. 16 is a perspective view thereof in a folded, standing configuration; and,

FIG. 17 is a perspective view thereof in an open, standing configuration.

The broken lines showing a tear-away flap are included for the purpose of illustrating environmental structure and form no part of the claimed design.

1 Claim, 13 Drawing Sheets



(58) **Field of Classification Search**
CPC B65D 33/12; B65D 33/16; B65D 33/10;
B65D 33/2591
See application file for complete search history.

(56) **References Cited**
U.S. PATENT DOCUMENTS

D263,899 S 4/1982 Lynn
D278,974 S 5/1985 Ray
D319,780 S 9/1991 Laaki
5,265,961 A 11/1993 Boyd
5,741,076 A 4/1998 Cammack
D394,604 S 5/1998 Cammack
5,882,120 A 3/1999 Bell
6,024,489 A 2/2000 Fox et al.
6,416,220 B1 7/2002 Fox et al.

6,626,570 B2 9/2003 Fox et al.
6,974,406 B2 12/2005 Antonacci
7,163,339 B1 1/2007 Hefner
D544,369 S 6/2007 Liu
D548,458 S 8/2007 Gregson, III et al.
D592,074 S 5/2009 Johnson
D600,135 S 9/2009 Valentine et al.
7,798,715 B2 9/2010 Hefner
D665,269 S 8/2012 Robitaille
D684,369 S 6/2013 Daigle et al.
D715,158 S * 10/2014 Chen D9/707
D719,035 S 12/2014 Martin et al.
D720,237 S 12/2014 Maglio, Jr.
D747,219 S 1/2016 Yu et al.
D764,940 S * 8/2016 Garcia D9/703
D779,972 S * 2/2017 Yu D9/709
D794,474 S * 8/2017 Pape D9/710
D833,299 S * 11/2018 Han D9/707

* cited by examiner

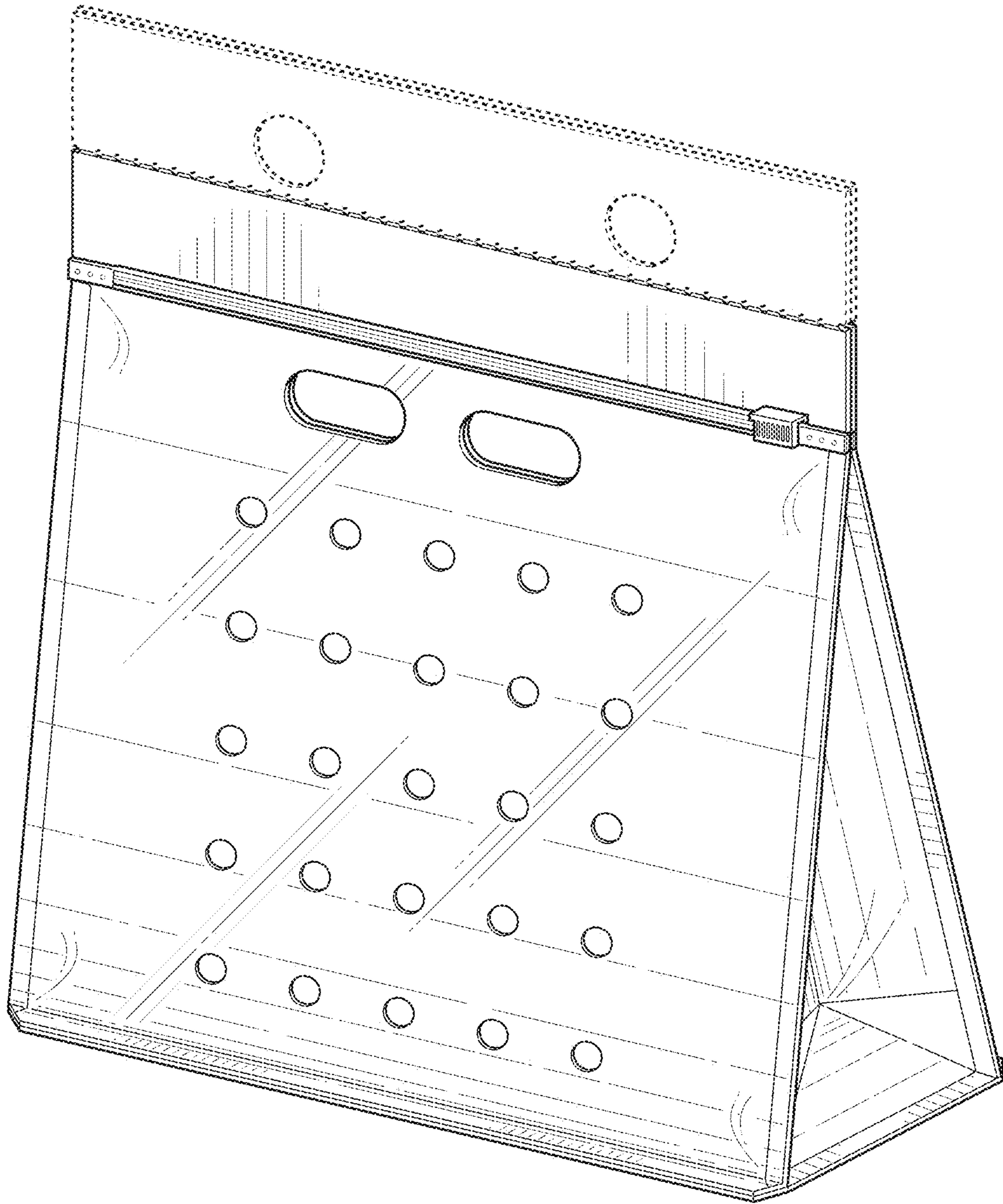


FIG. 1

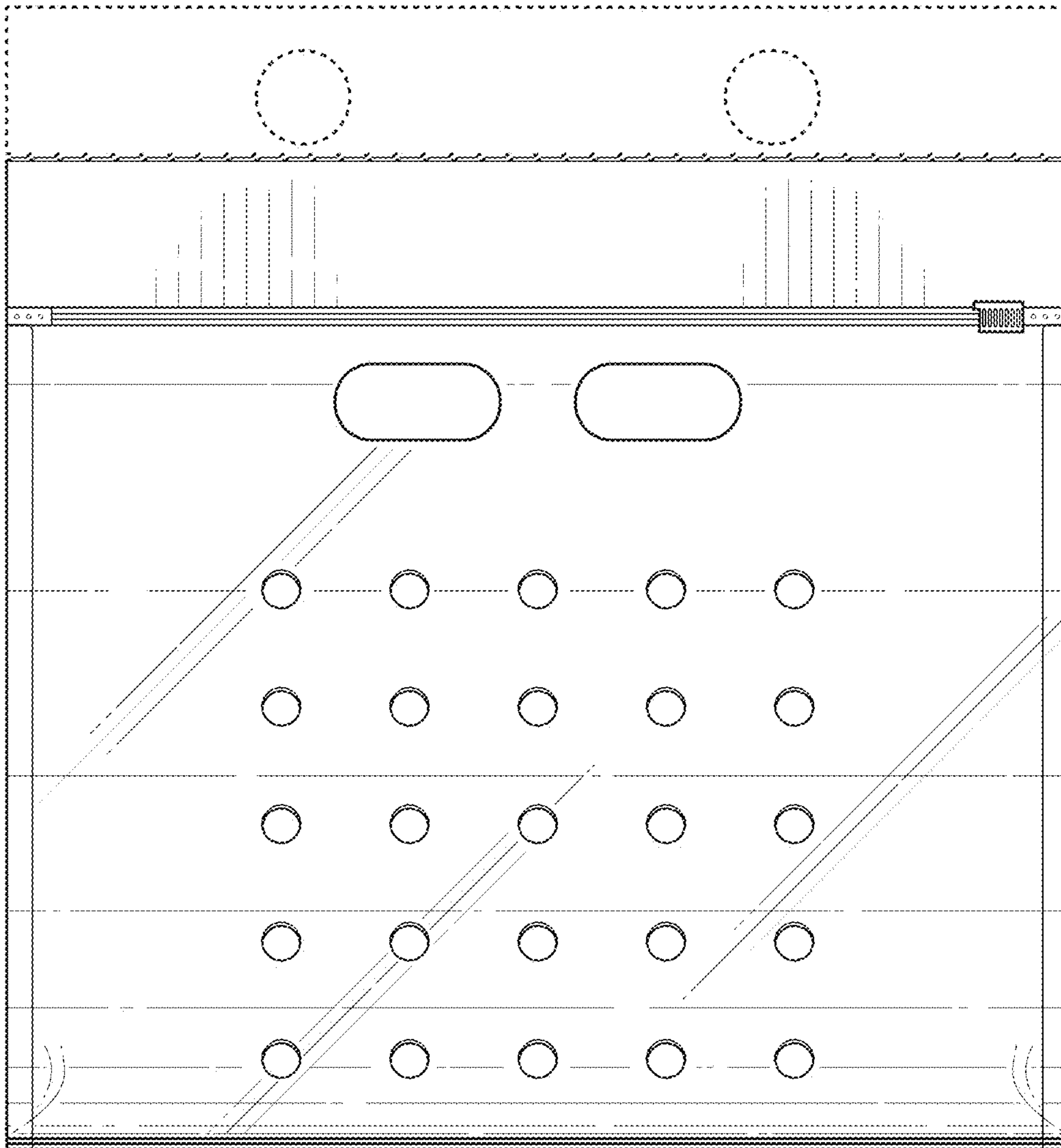


FIG. 2

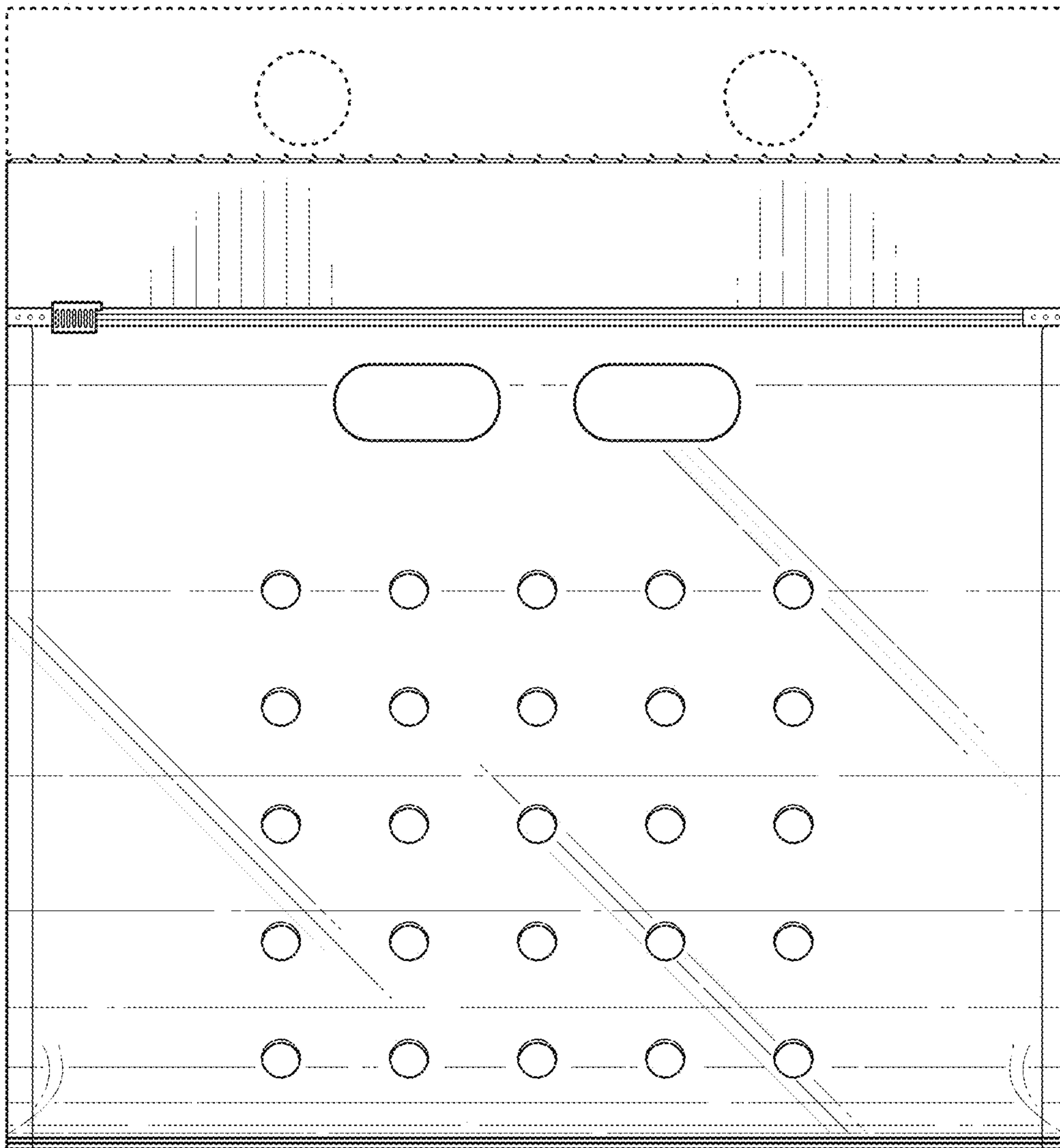


FIG. 3

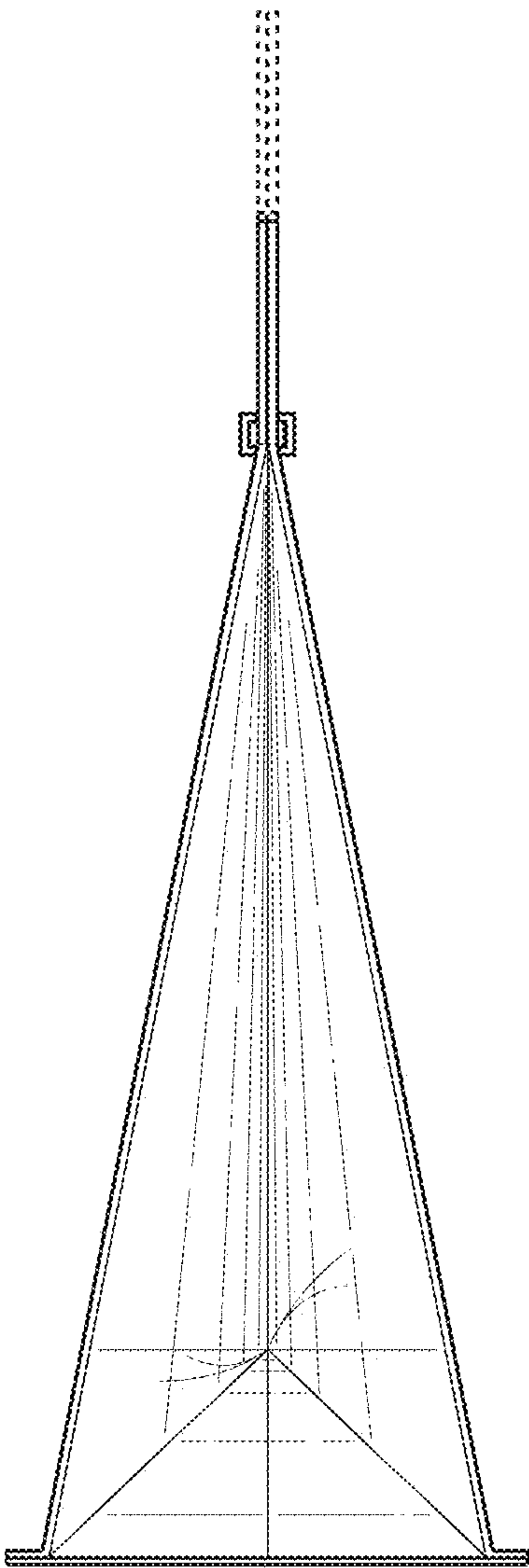


FIG. 4

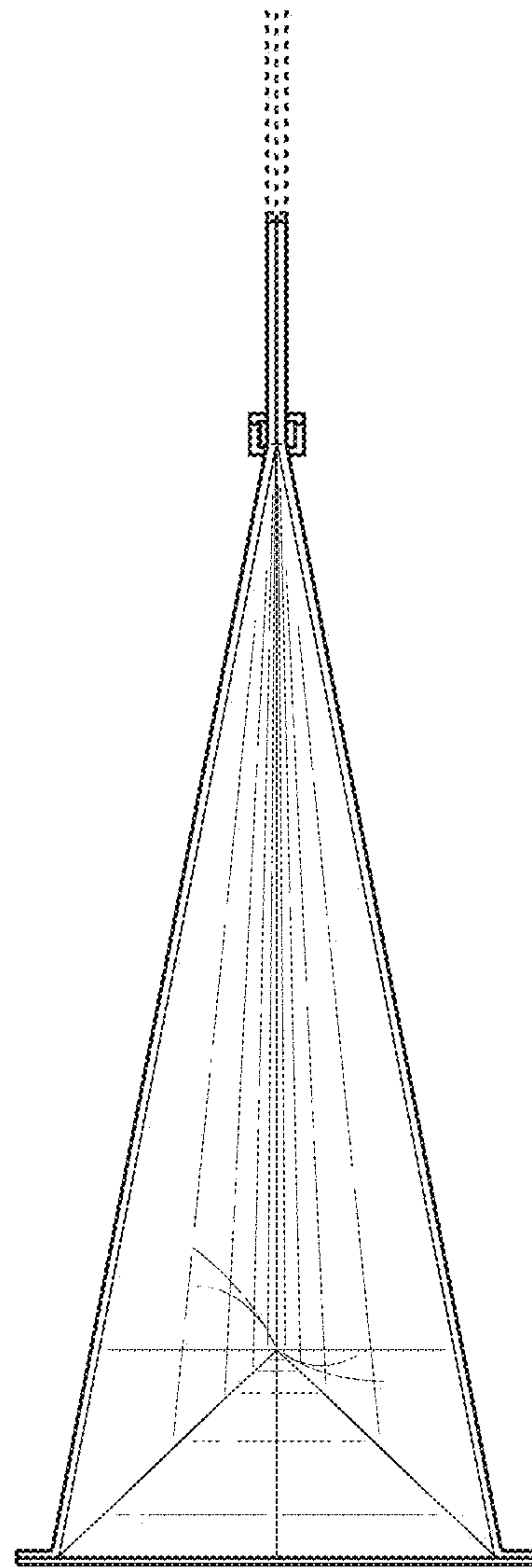


FIG. 5

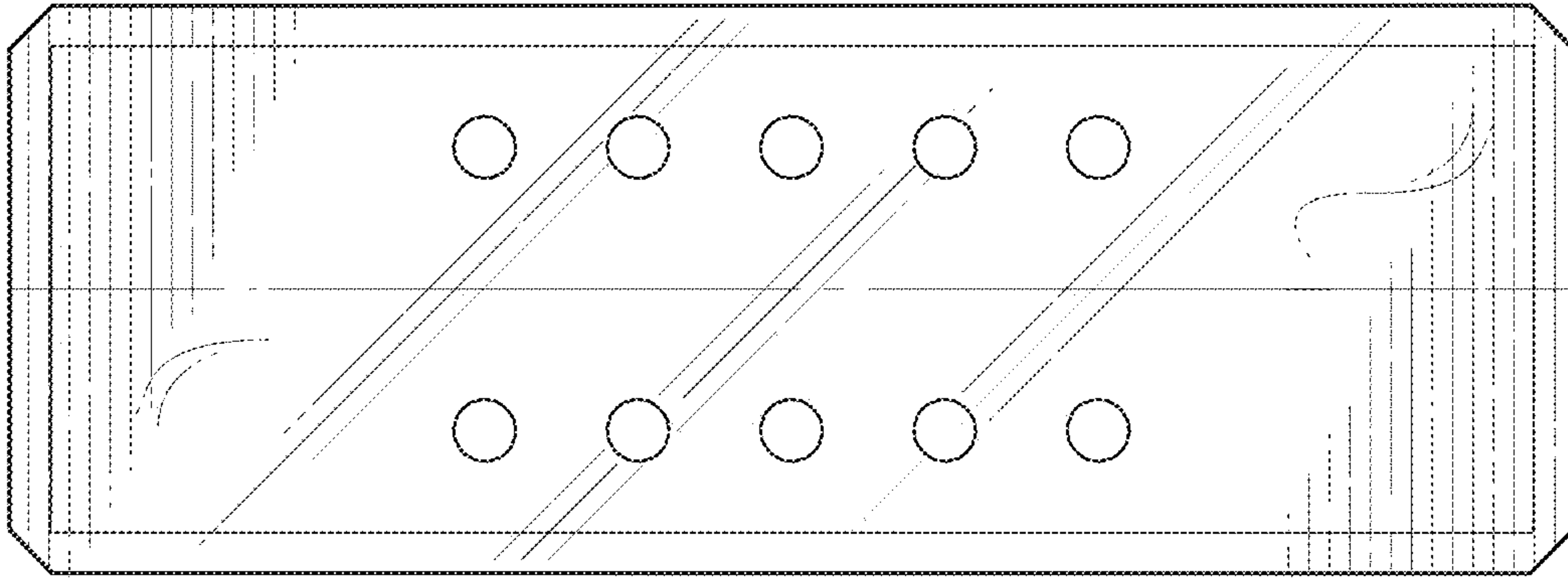


FIG. 6

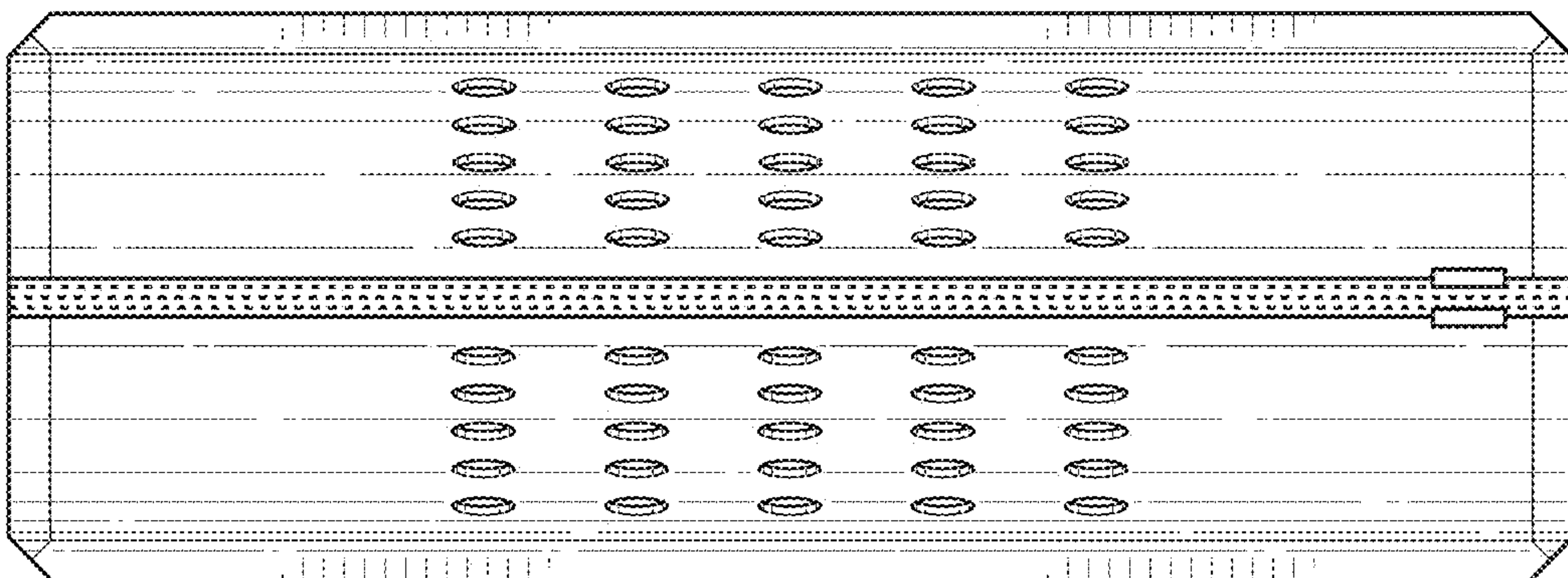


FIG. 7

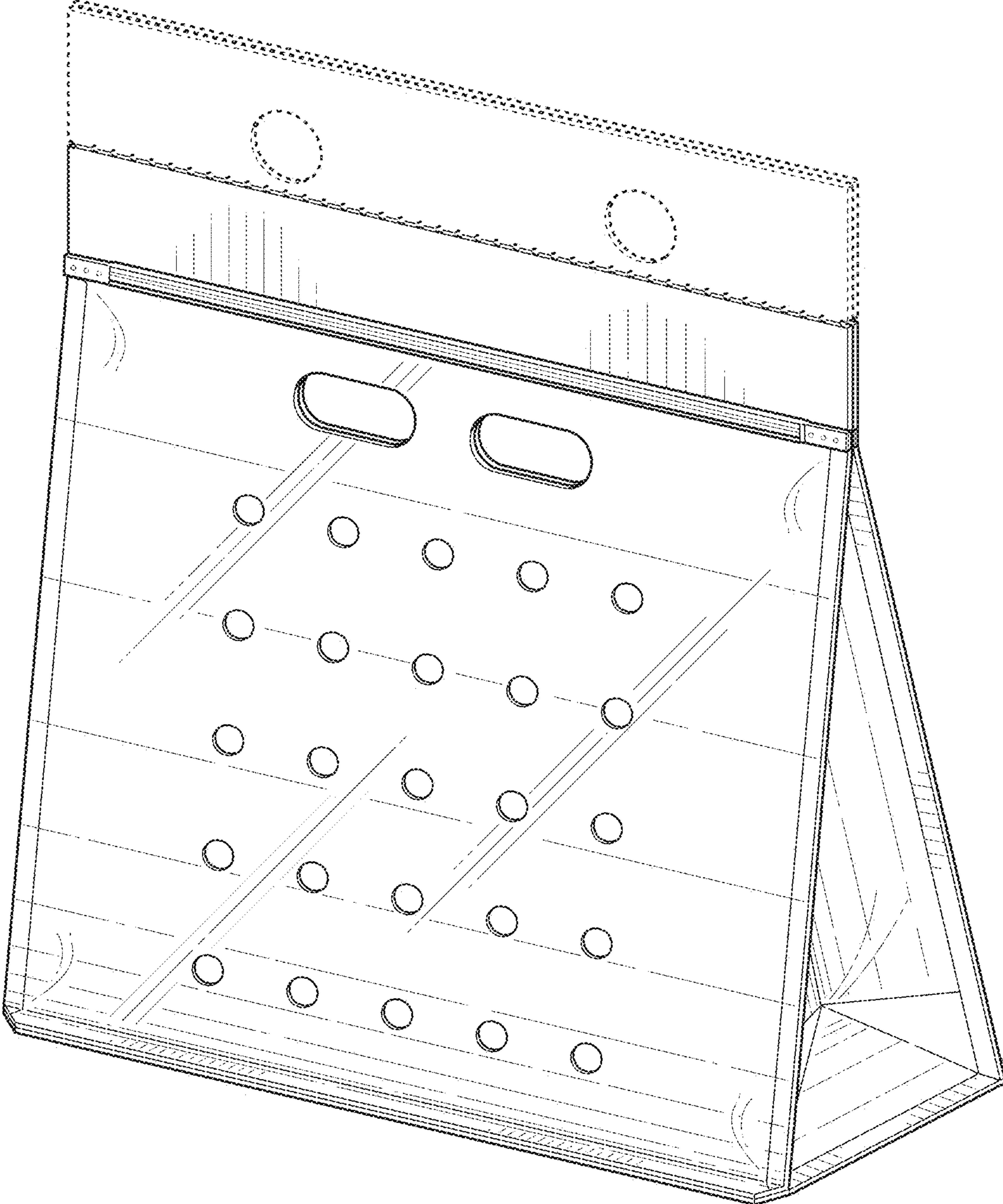


FIG. 8

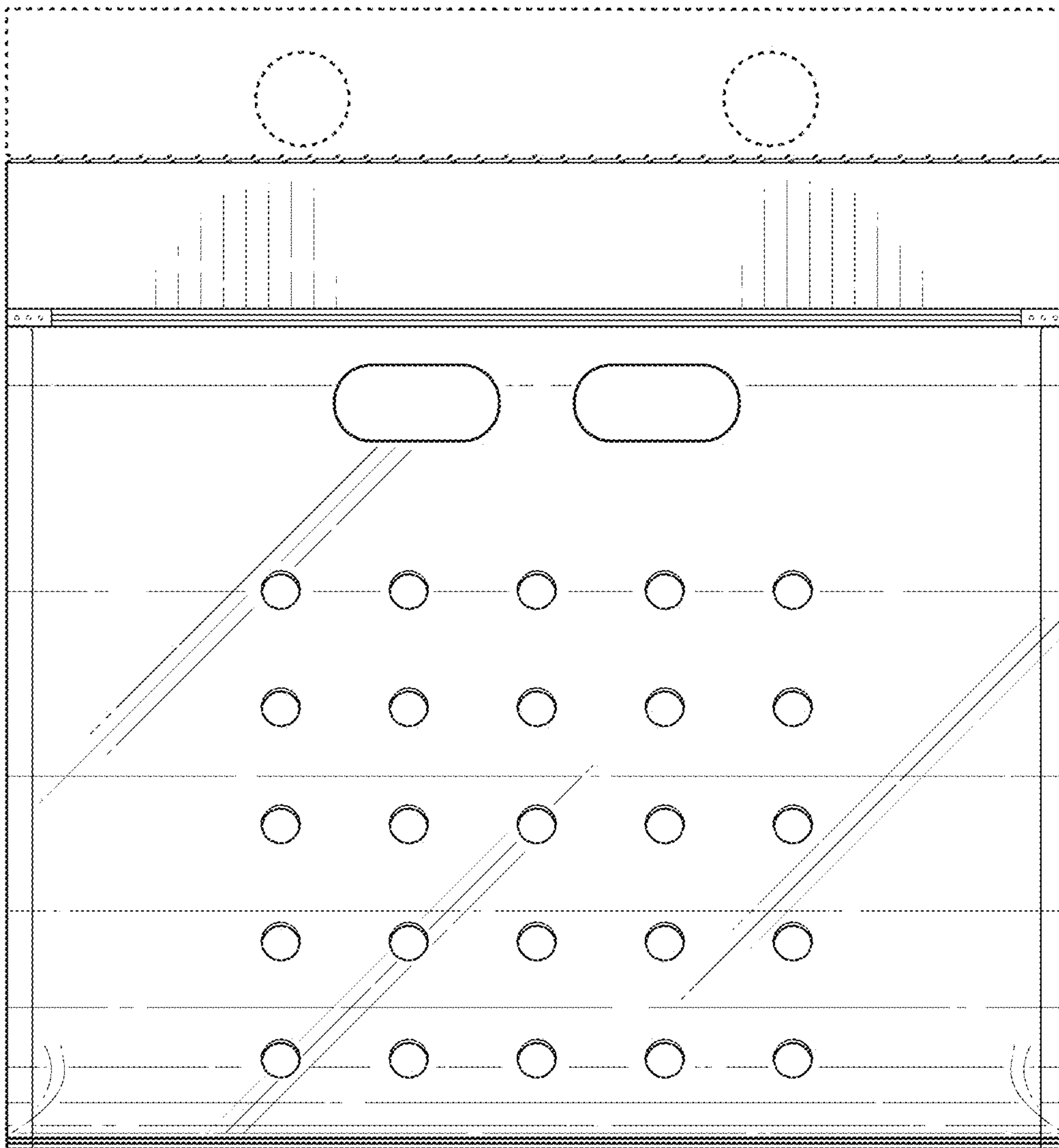


FIG. 9

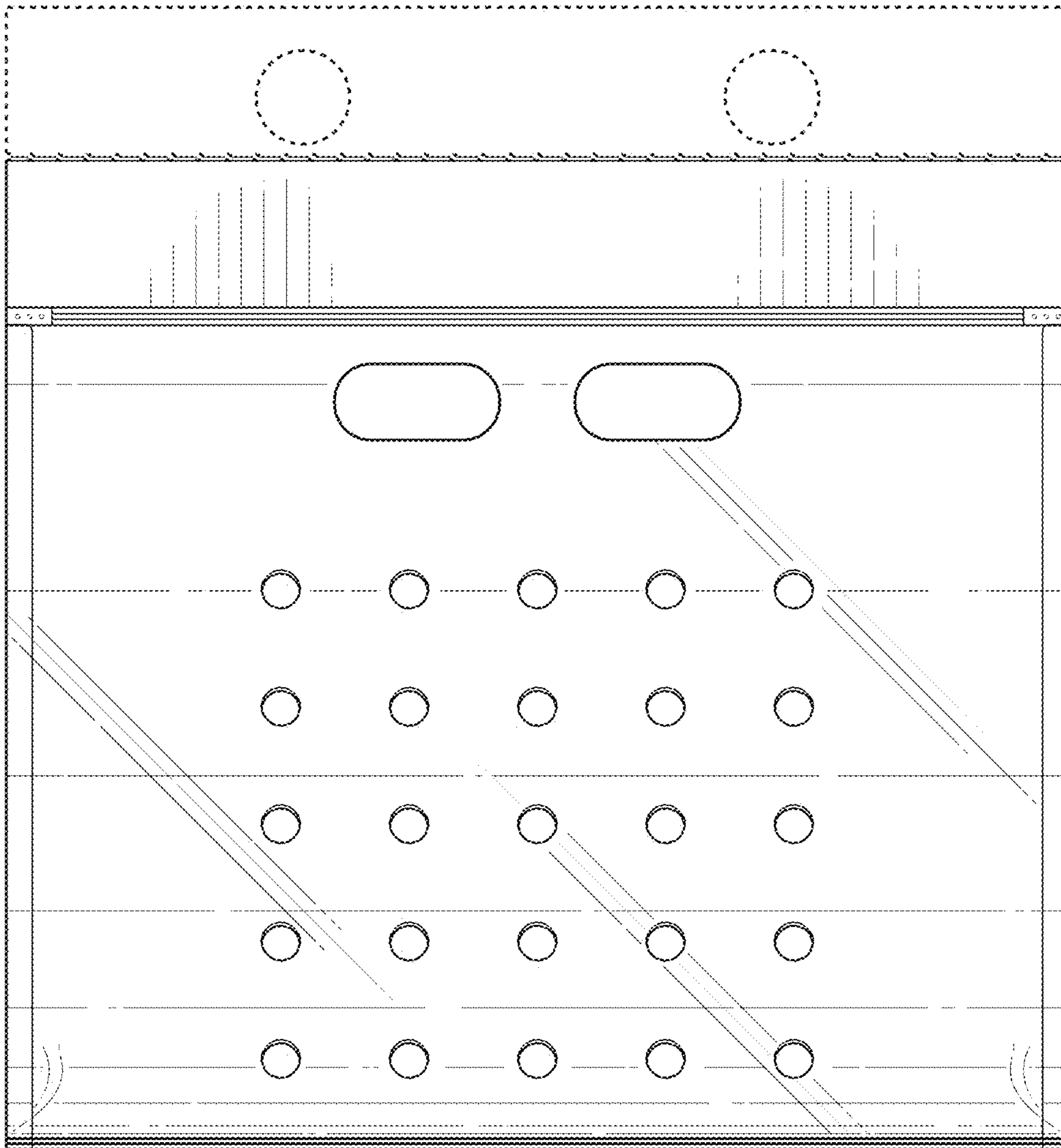


FIG. 10

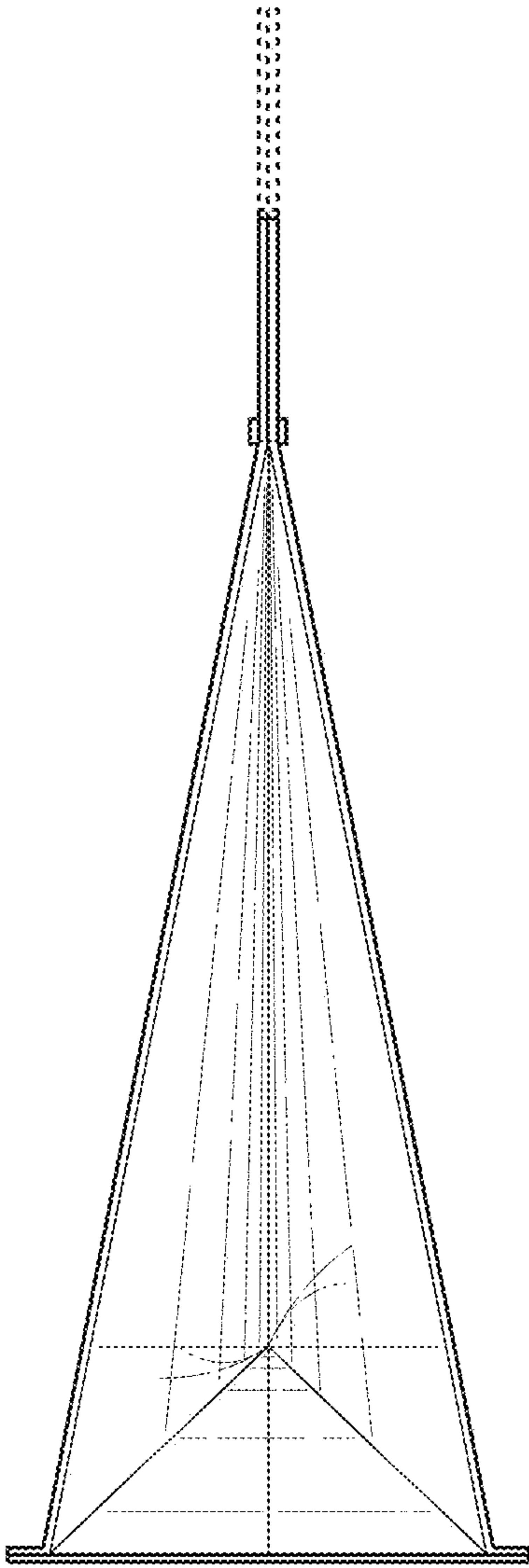


FIG. 11

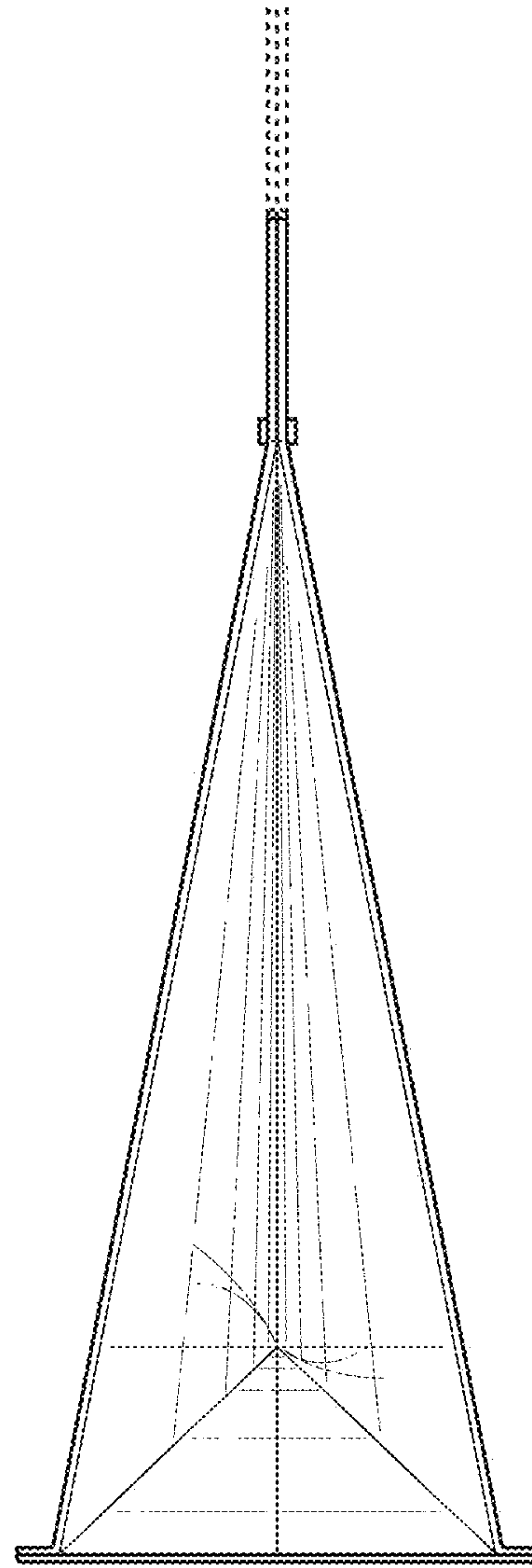


FIG. 12

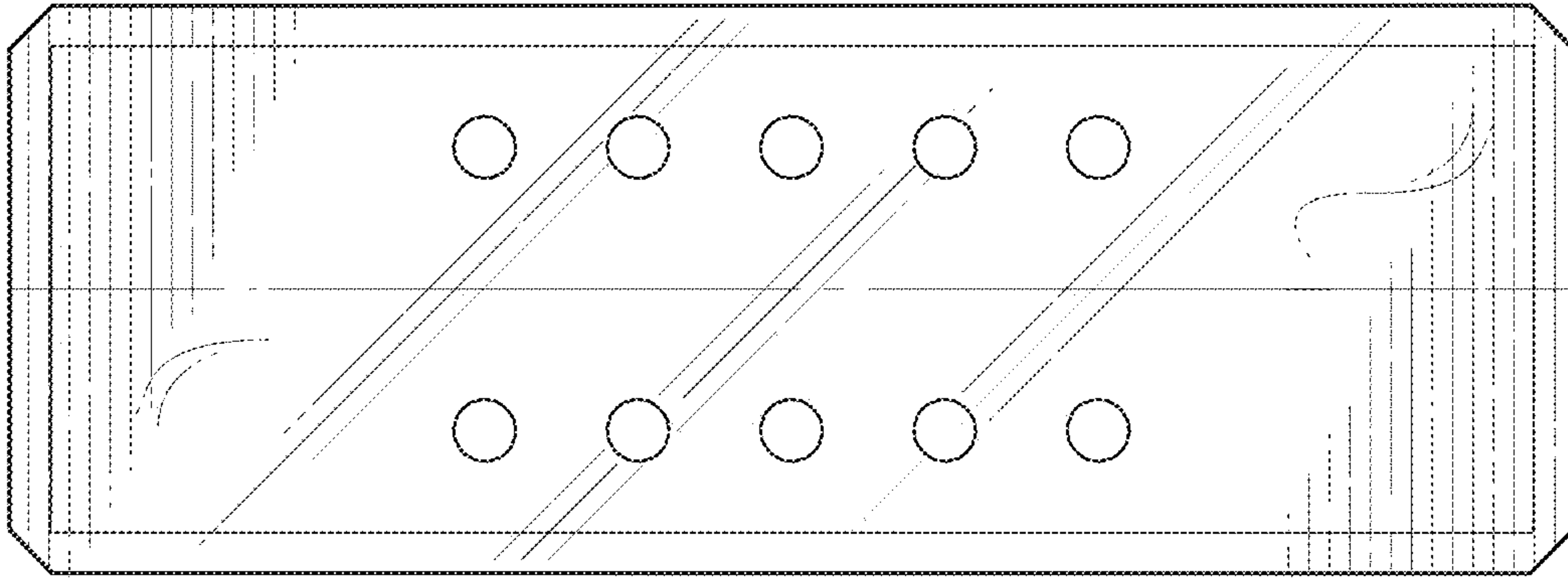


FIG. 13

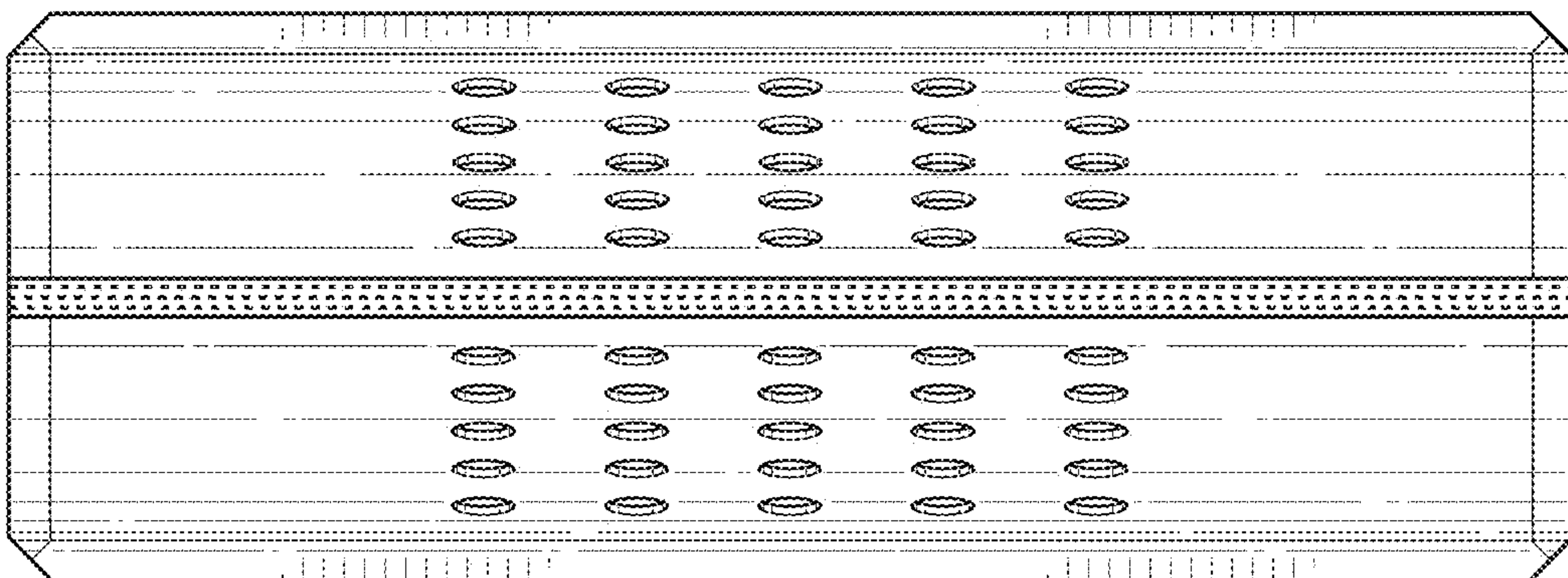


FIG. 14

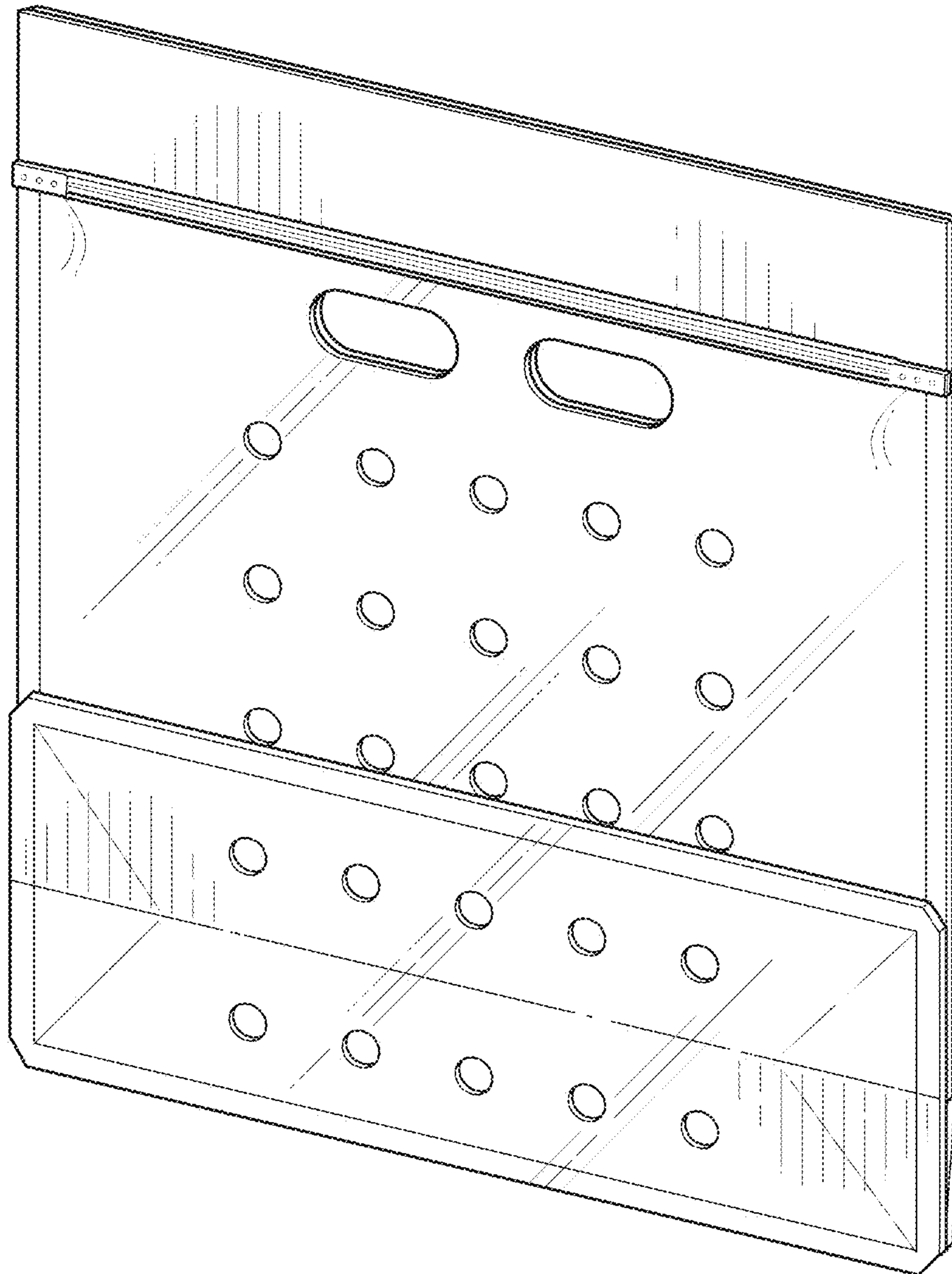


FIG. 15

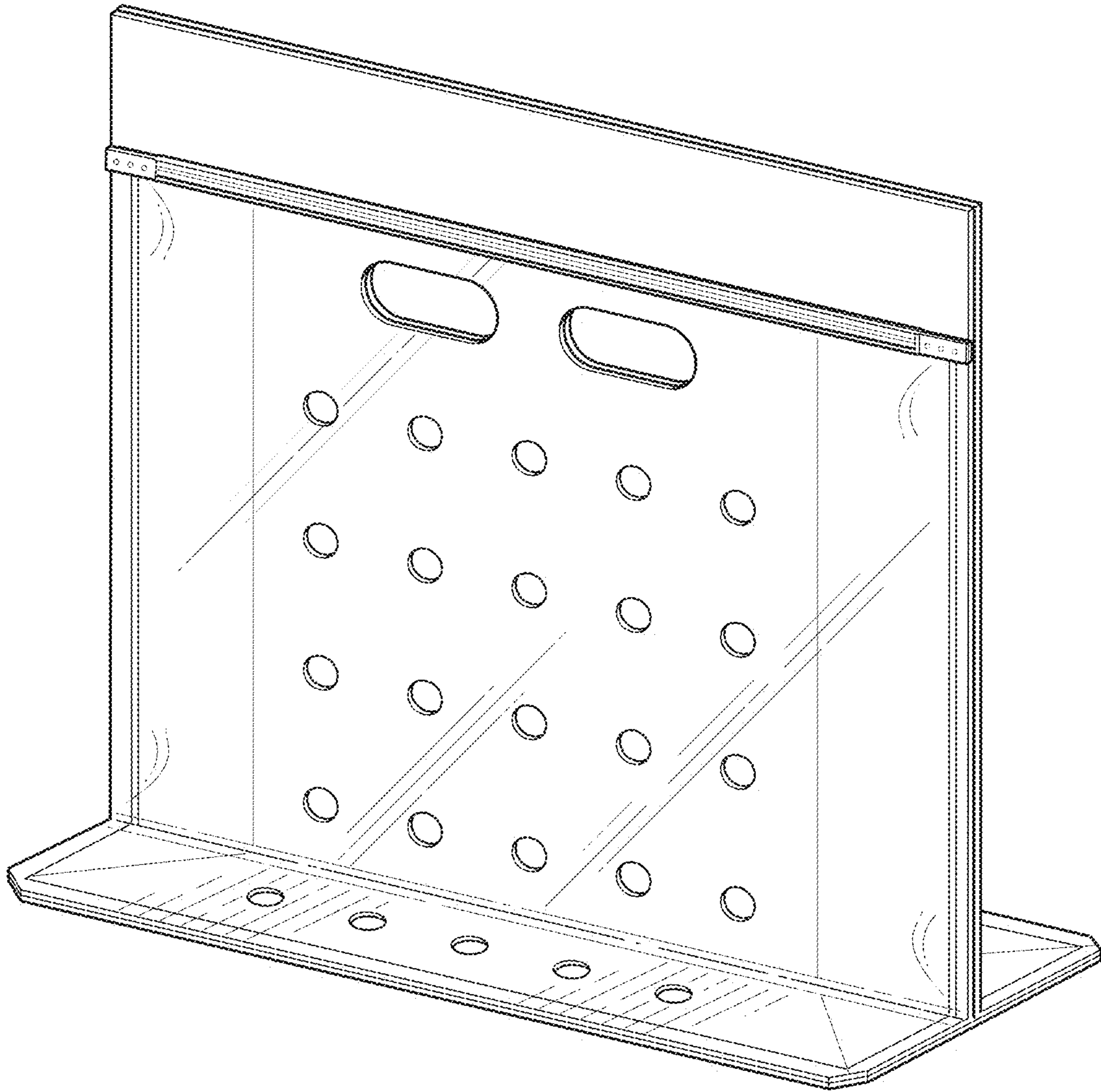


FIG. 16

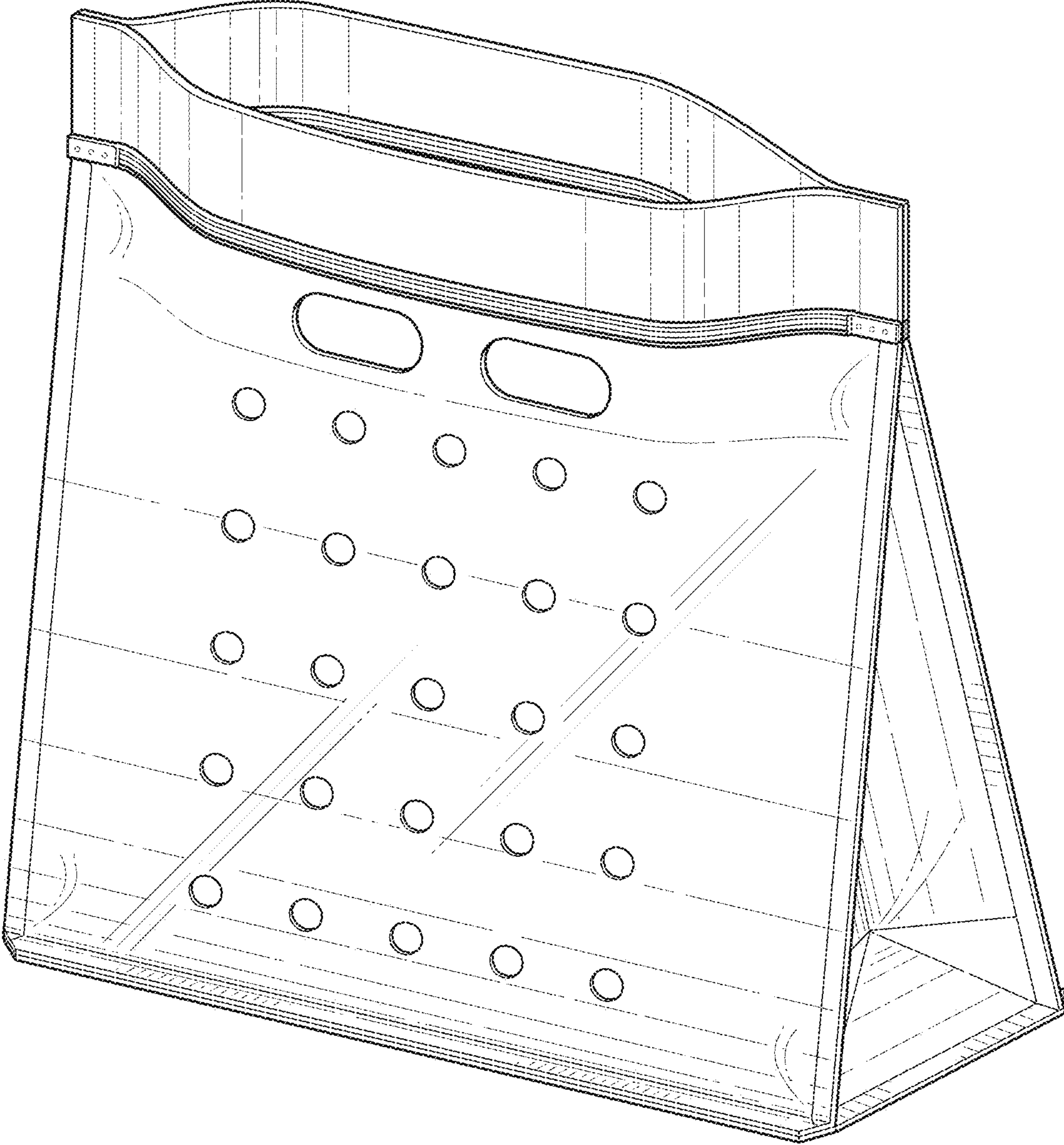


FIG. 17