



US00D873673S

(12) **United States Design Patent**  
**Yu et al.**

(10) **Patent No.:** **US D873,673 S**  
(45) **Date of Patent:** **\*\* \*Jan. 28, 2020**

(54) **FLAT-BOTTOMED, SIDE-GUSSETED  
PRODUCE POUCH**

(71) Applicants: **Xiaowei Duke Yu**, Oakville (CA);  
**Philip D. Beach, III**, Southbury, CT  
(US)

(72) Inventors: **Xiaowei Duke Yu**, Oakville (CA);  
**Philip D. Beach, III**, Southbury, CT  
(US)

(\* ) Notice: This patent is subject to a terminal disclaimer.

(\*\*) Term: **15 Years**

(21) Appl. No.: **29/654,015**

(22) Filed: **Jun. 20, 2018**

(51) **LOC (12) Cl.** ..... **09-05**

(52) **U.S. Cl.**  
USPC ..... **D9/709**

(58) **Field of Classification Search**  
USPC ..... D9/702-714, 414-415, 418-419,  
D9/430-431, 434, 424, 631, 737, 560;  
206/236, 242, 286-287, 260, 271, 273;  
211/85.3; 229/103.2, 87.01, 116.1, 87.05,  
229/87.19, 117.12, 100; 150/100, 107,  
150/112, 118; D27/186-191, 183;  
D3/273, 299-301, 232, 276, 295, 303,  
D3/226, 240, 315, 203.1; 383/105-114,  
383/121.1, 33, 200, 61.1, 42, 119-120;  
D24/118, 121; 426/106; 222/92, 107,  
222/215  
CPC ..... A45C 1/02; B65D 81/00; B65D 65/38;  
B65D 65/02; B65D 65/00; B65D 33/00;  
B65D 33/01; B65D 33/04; B65D 33/06;

(Continued)

(56) **References Cited**

U.S. PATENT DOCUMENTS

1,355,353 A 10/1920 Pease  
3,537,360 A 11/1970 Farnam  
D258,204 S 2/1981 Rudenschold  
(Continued)

*Primary Examiner* — Abraham Bahta

(74) *Attorney, Agent, or Firm* — Thomas P. O'Connell;  
O'Connell Law Firm

(57) **CLAIM**

We claim the ornamental design for a flat-bottomed, side-gusseted produce pouch, as shown and described.

**DESCRIPTION**

FIG. 1 is a perspective view of a flat-bottomed, side-gusseted produce pouch with a slider closure according to our invention in a standing configuration;  
FIG. 2 is a front elevation view thereof;  
FIG. 3 is a rear elevation view thereof;  
FIG. 4 is a right side view thereof;  
FIG. 5 is a left side view thereof;  
FIG. 6 is a bottom plan view thereof;  
FIG. 7 is a top plan view thereof;  
FIG. 8 is a perspective view of the flat-bottomed, side-gusseted produce pouch with a zipper closure in a standing configuration;  
FIG. 9 is a front elevation view thereof;  
FIG. 10 is a rear elevation view thereof;  
FIG. 11 is a right side view thereof;  
FIG. 12 is a left side view thereof;  
FIG. 13 is a bottom plan thereof;  
FIG. 14 is a top plan view thereof;  
FIG. 15 is a perspective view thereof in a folded configuration;  
FIG. 16 is a perspective view thereof in a folded, standing configuration; and,

(Continued)

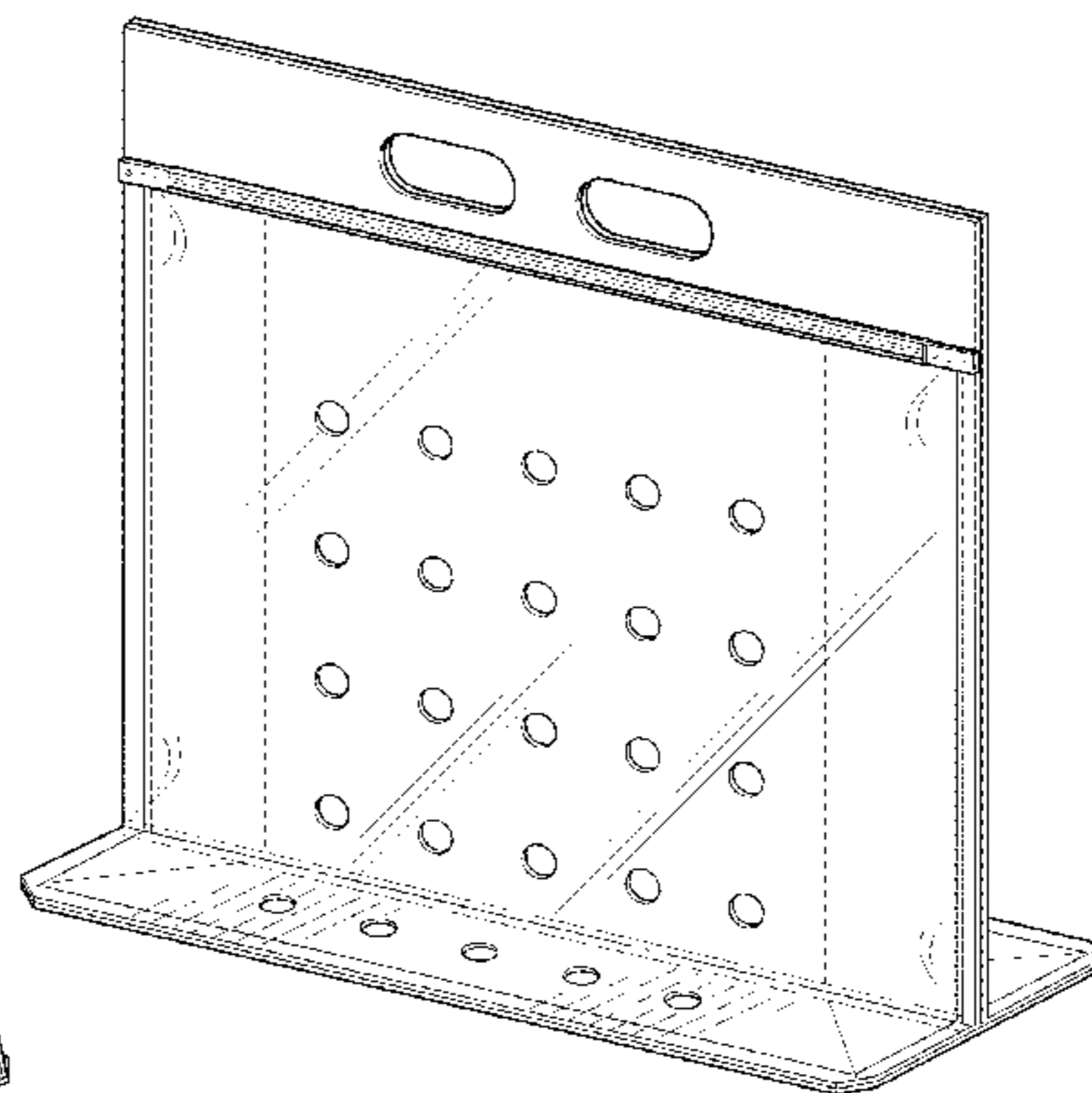
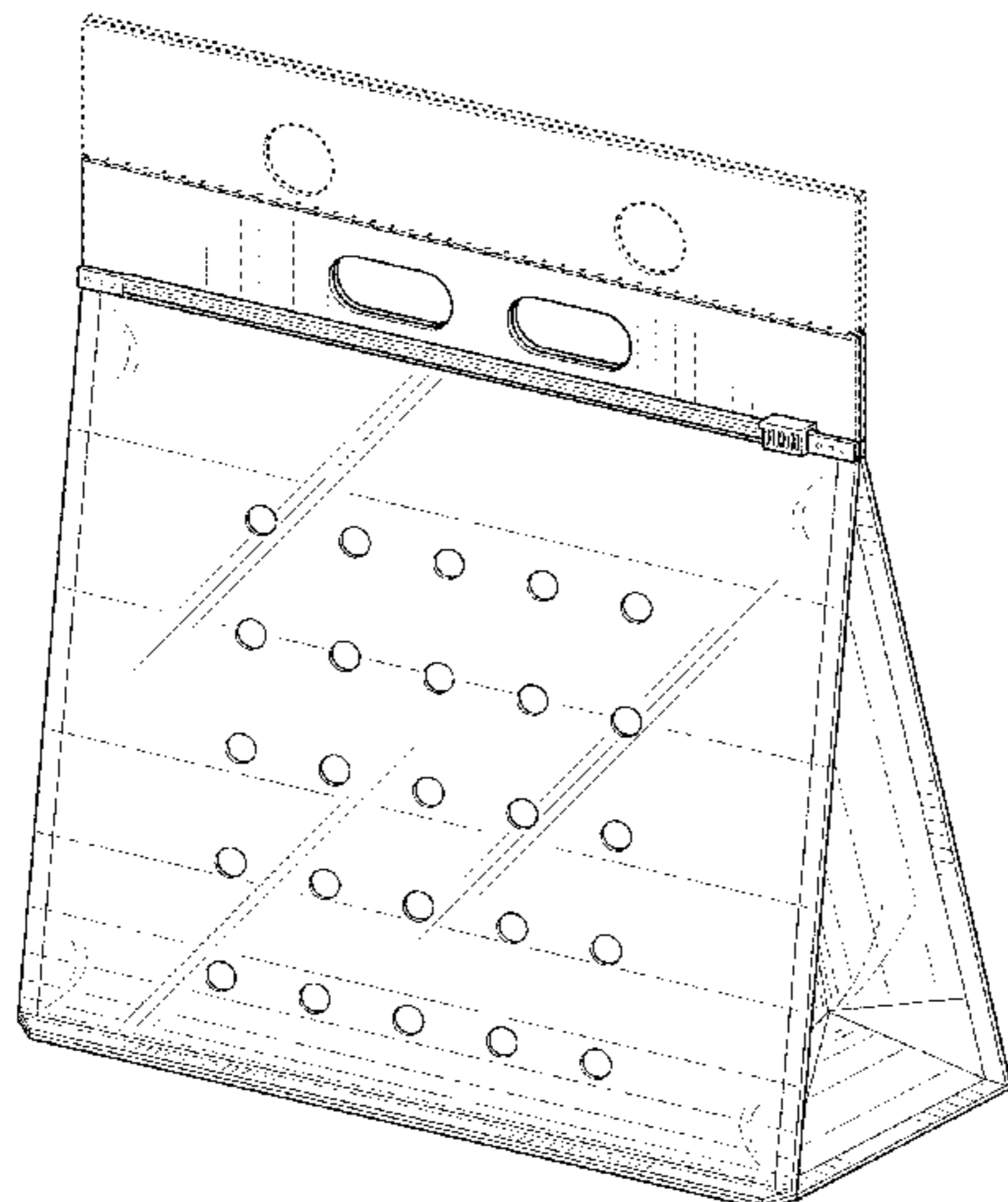


FIG. 17 is a perspective view thereof in an open, standing configuration.

The broken lines showing a tear-away flap are included for the purpose of illustrating environmental structure and form no part of the claimed design.

**1 Claim, 13 Drawing Sheets**

**(58) Field of Classification Search**

CPC ..... B65D 33/12; B65D 33/16; B65D 33/10;  
B65D 33/2591

See application file for complete search history.

**(56) References Cited**

U.S. PATENT DOCUMENTS

D263,899 S	4/1982	Lynn
D278,974 S	5/1985	Ray
D319,780 S	9/1991	Laaki
5,265,961 A	11/1993	Boyd

5,741,076 A	4/1998	Cammack	
D394,604 S	5/1998	Cammack	
5,882,120 A	3/1999	Bell	
6,024,489 A	2/2000	Fox et al.	
6,416,220 B1	7/2002	Fox et al.	
6,626,570 B2	9/2003	Fox et al.	
6,974,406 B2	12/2005	Antonacci	
7,163,339 B1	1/2007	Hefner	
D544,369 S	6/2007	Liu	
D548,458 S	8/2007	Gregson, III et al.	
D592,074 S	5/2009	Johnson	
D600,135 S	9/2009	Valentine et al.	
7,798,715 B2	9/2010	Hefner	
D665,269 S	8/2012	Robitaille	
D684,369 S	6/2013	Daigle et al.	
D715,158 S *	10/2014	Chen .....	D9/707
D719,035 S	12/2014	Martin et al.	
D720,237 S	12/2014	Maglio, Jr.	
D747,219 S	1/2016	Yu et al.	
D764,940 S *	8/2016	Garcia .....	D9/703
D779,972 S *	2/2017	Yu .....	D9/709
D794,474 S *	8/2017	Pape .....	D9/710
D833,299 S *	11/2018	Han .....	D9/707

\* cited by examiner

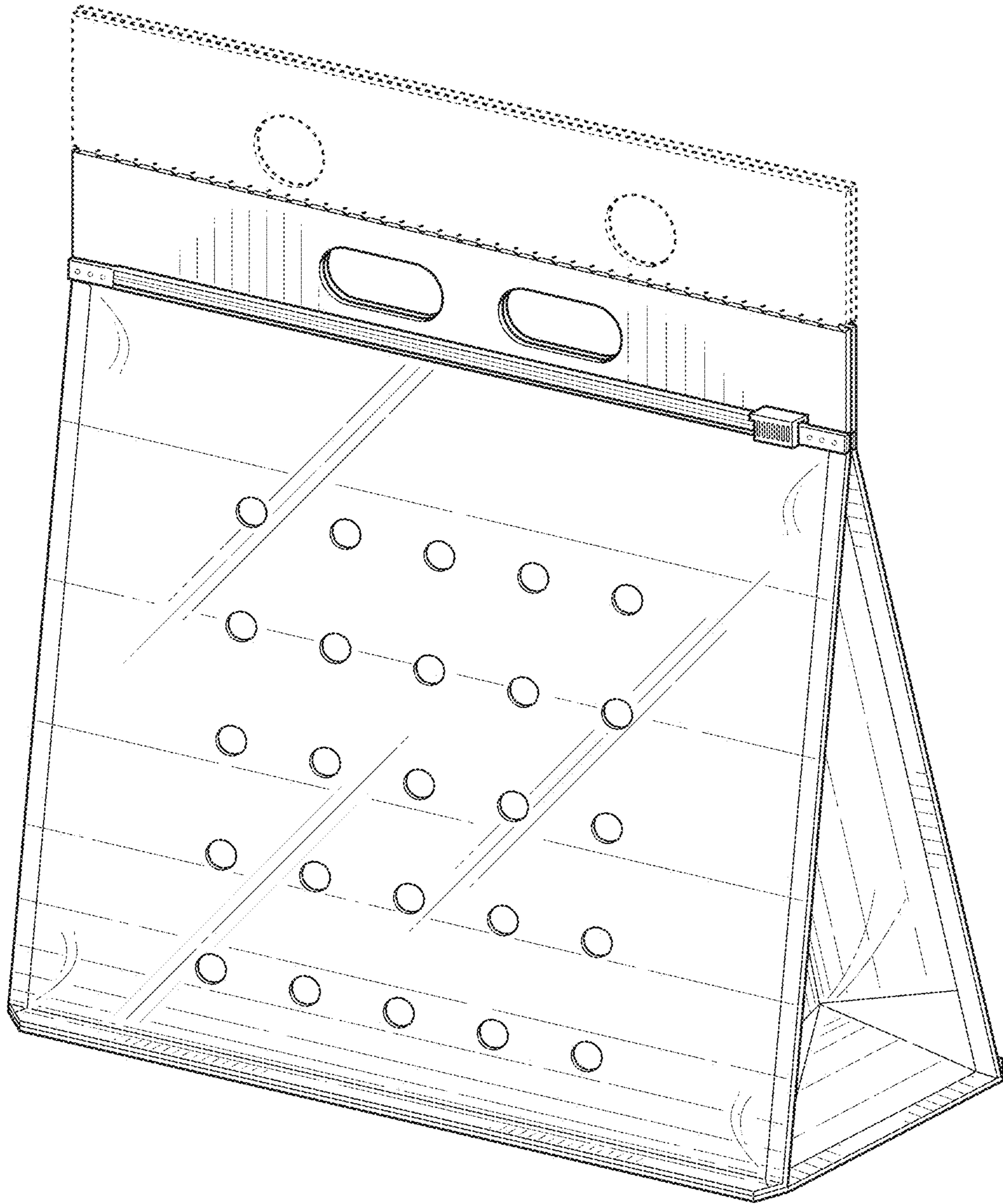


FIG. 1



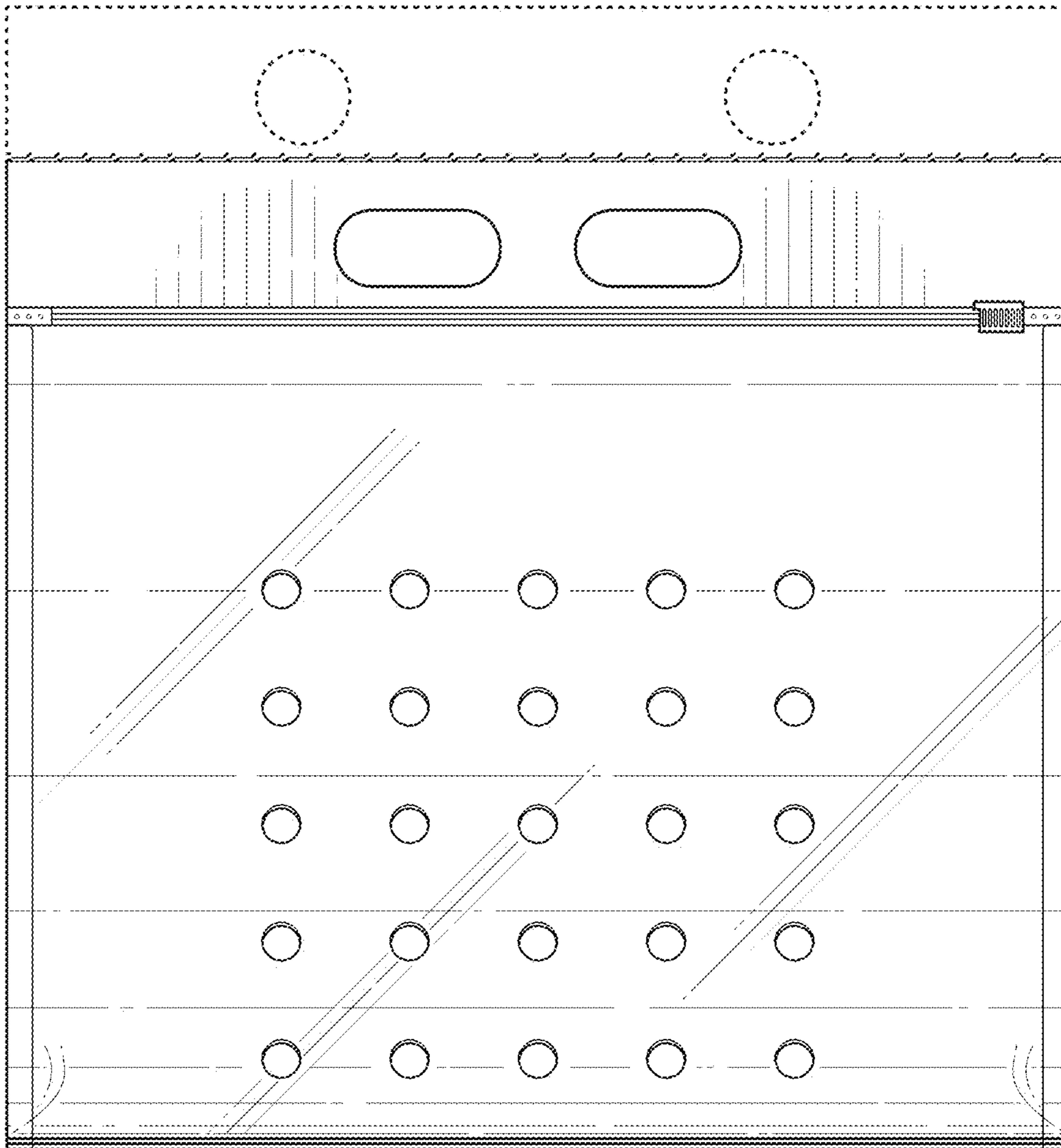


FIG. 2

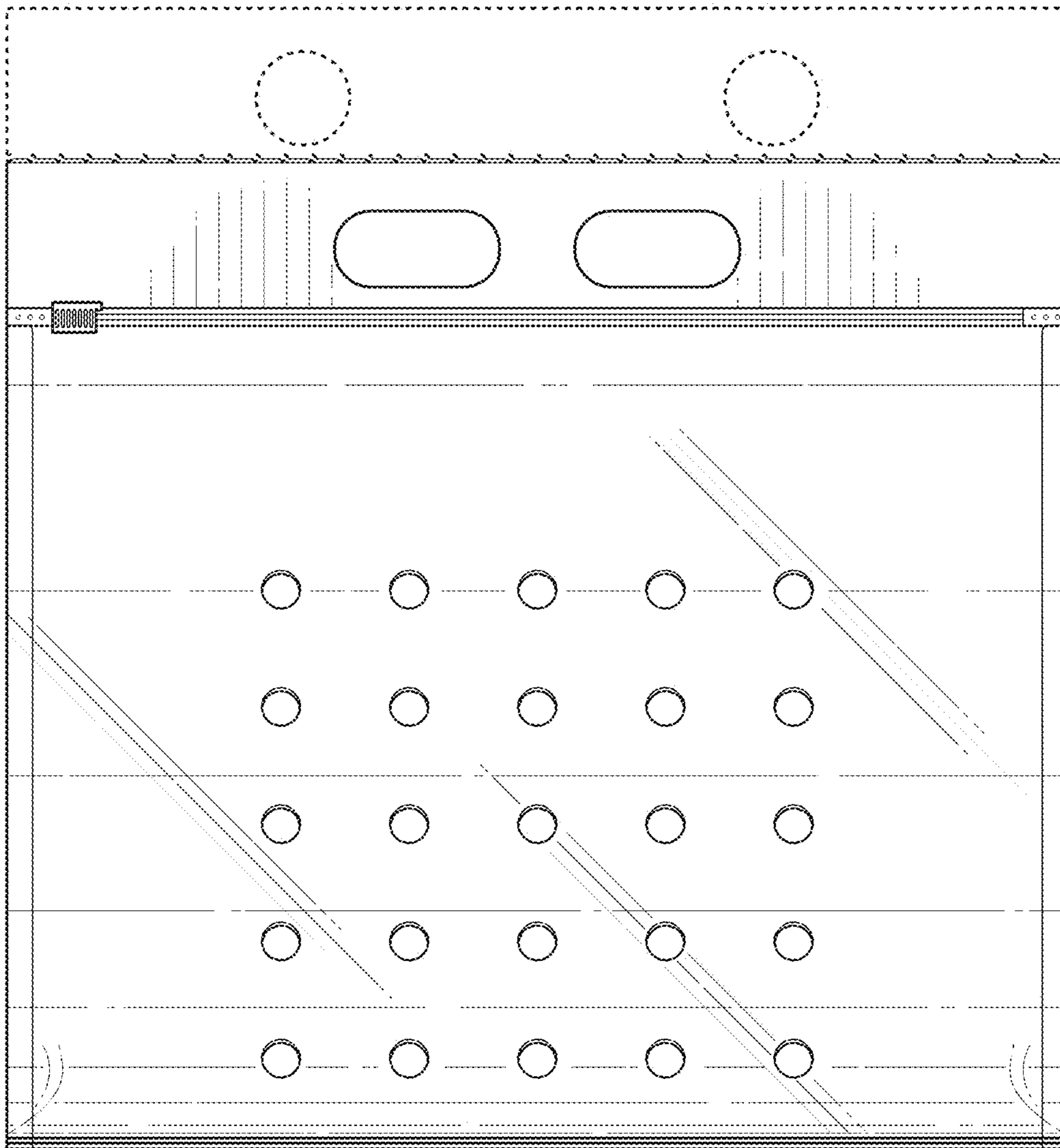


FIG. 3

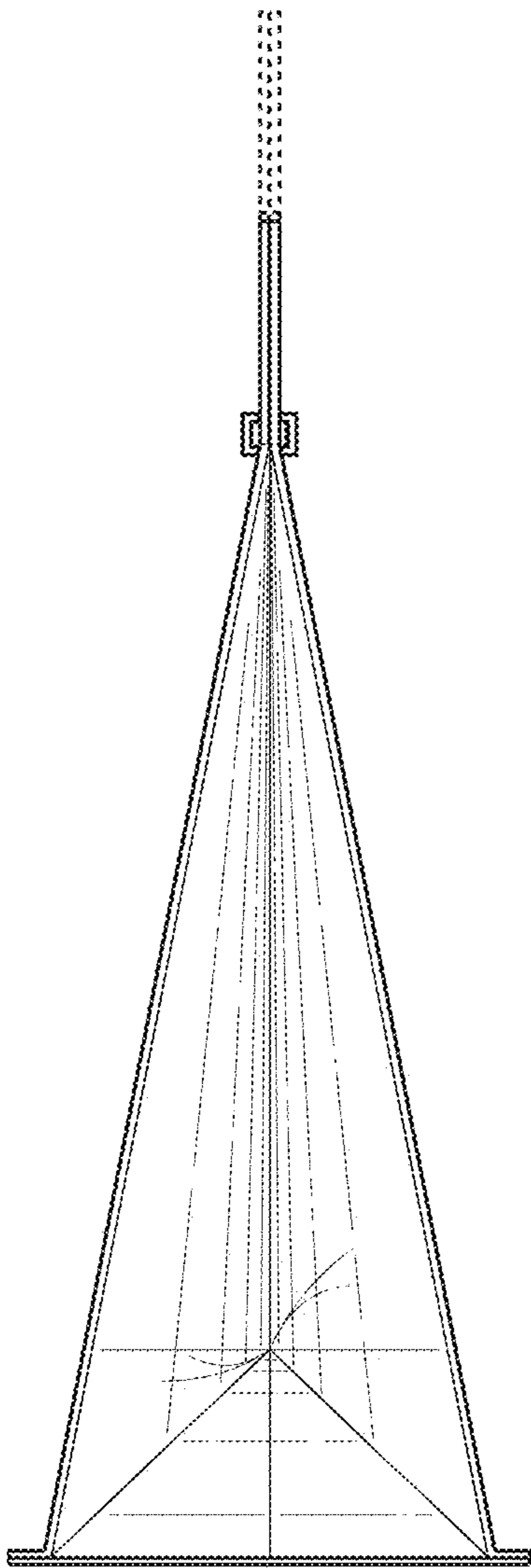


FIG. 4

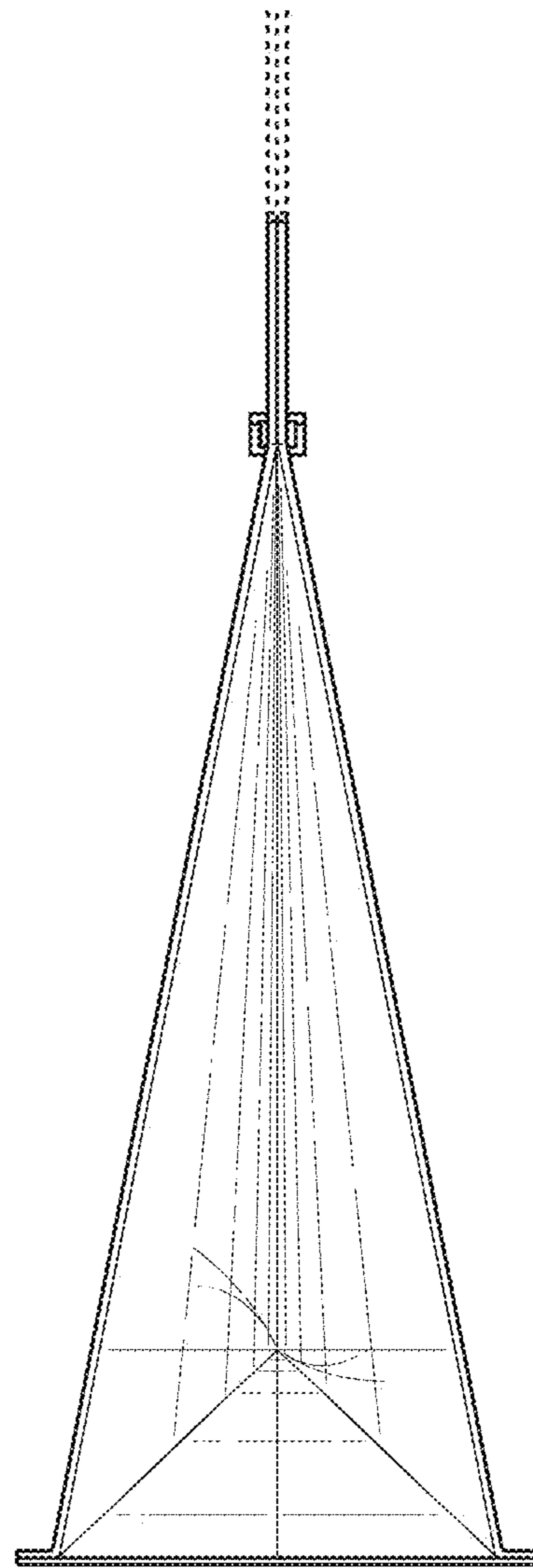


FIG. 5

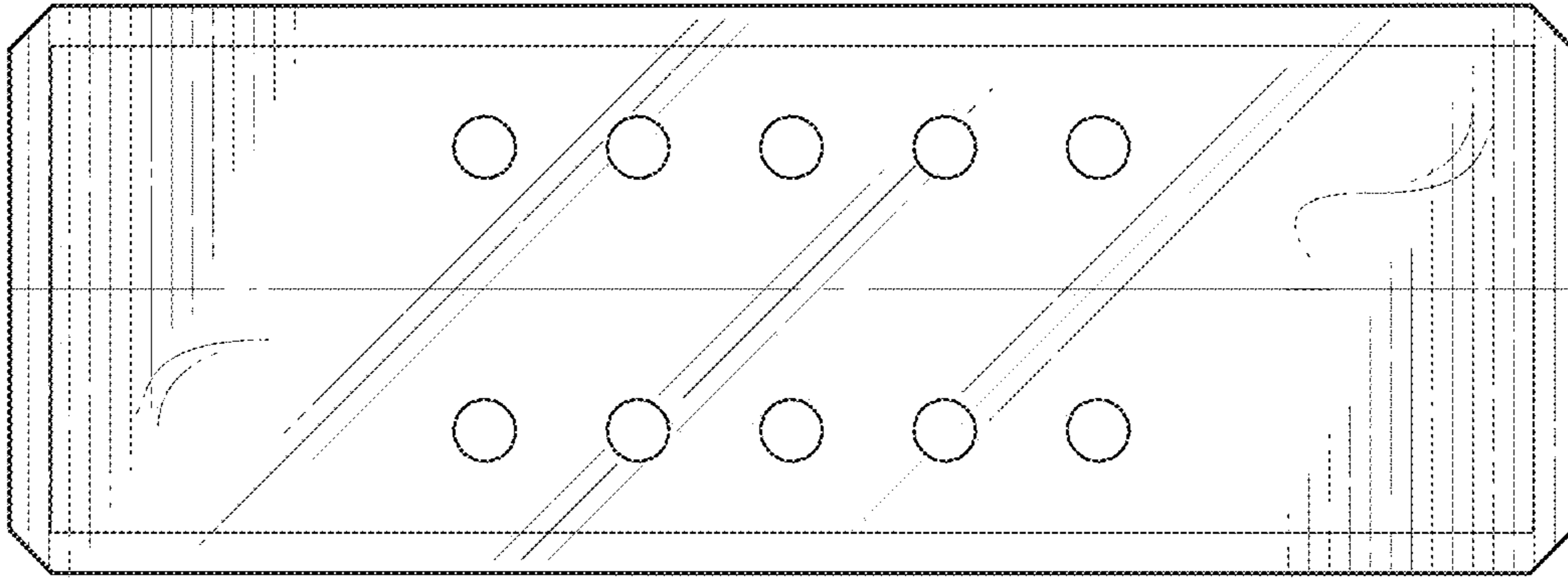


FIG. 6

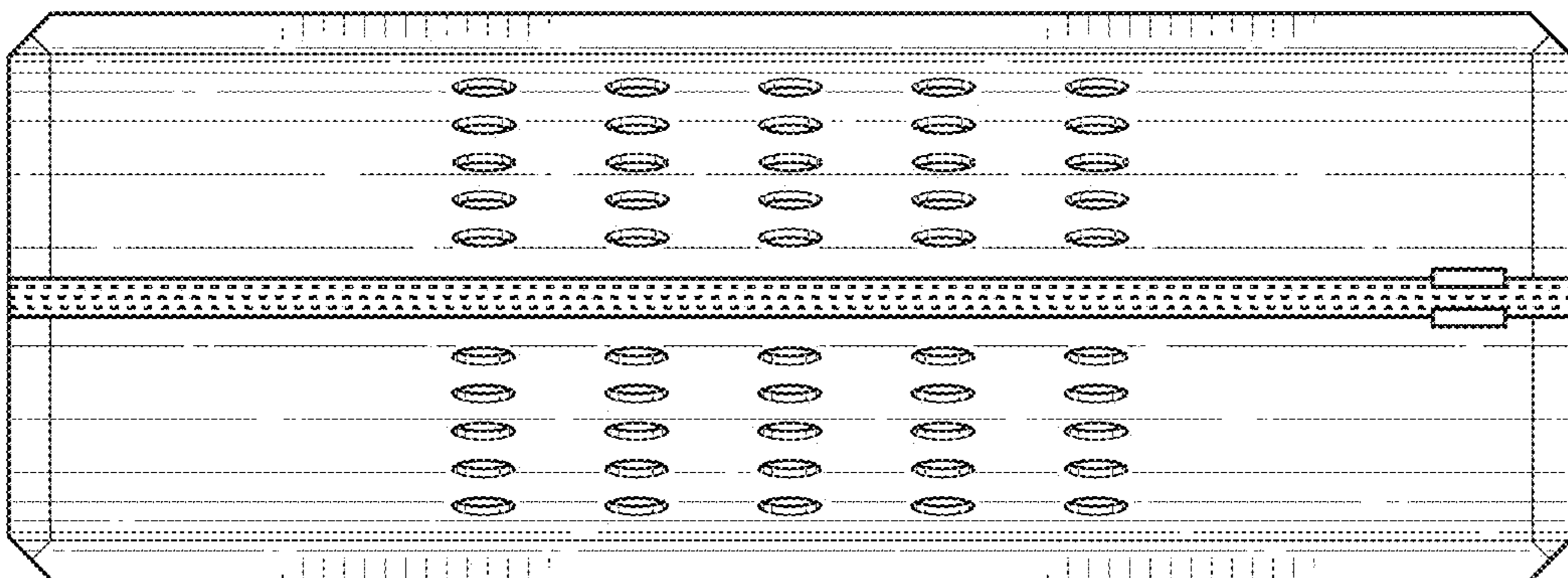


FIG. 7



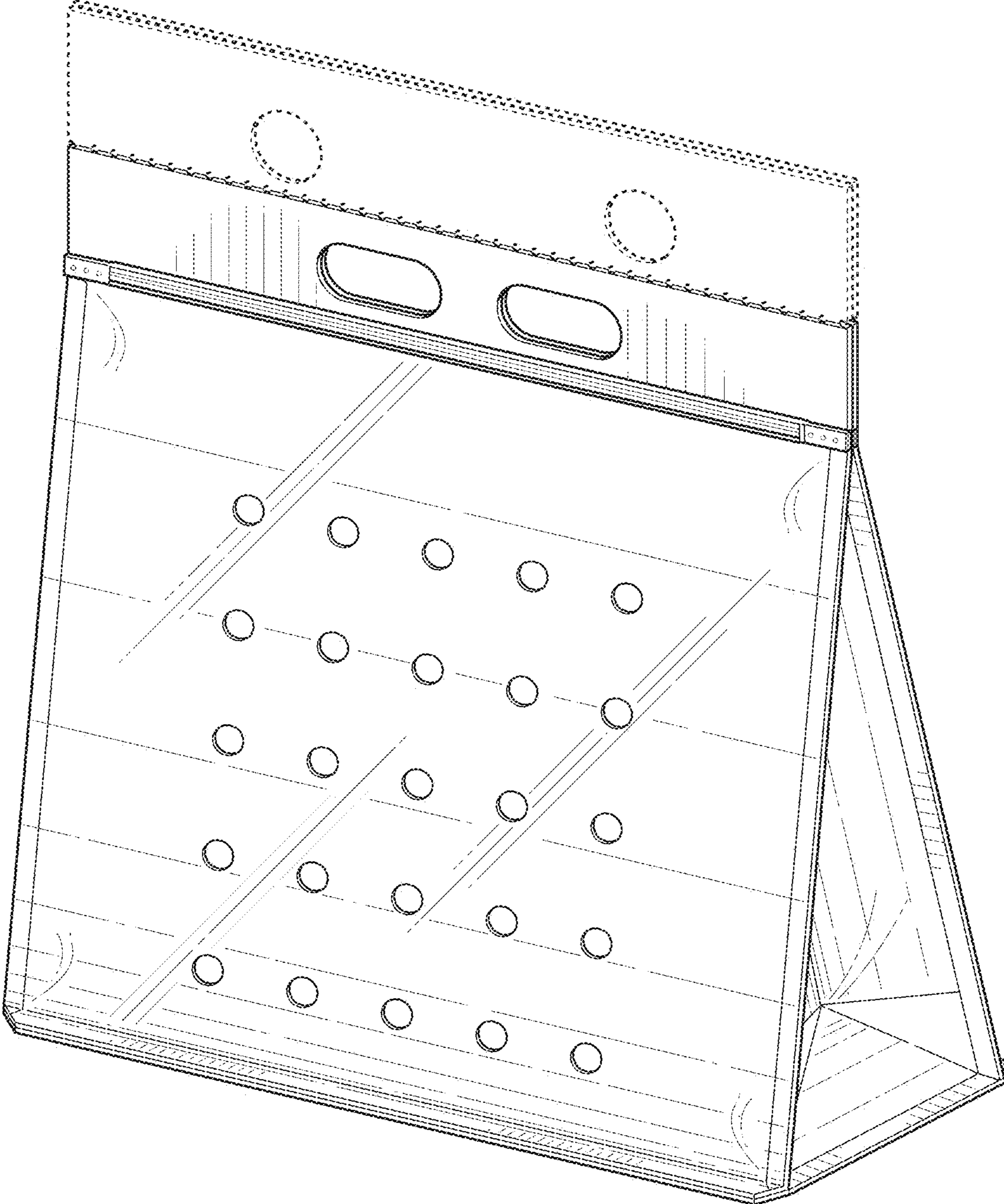


FIG. 8



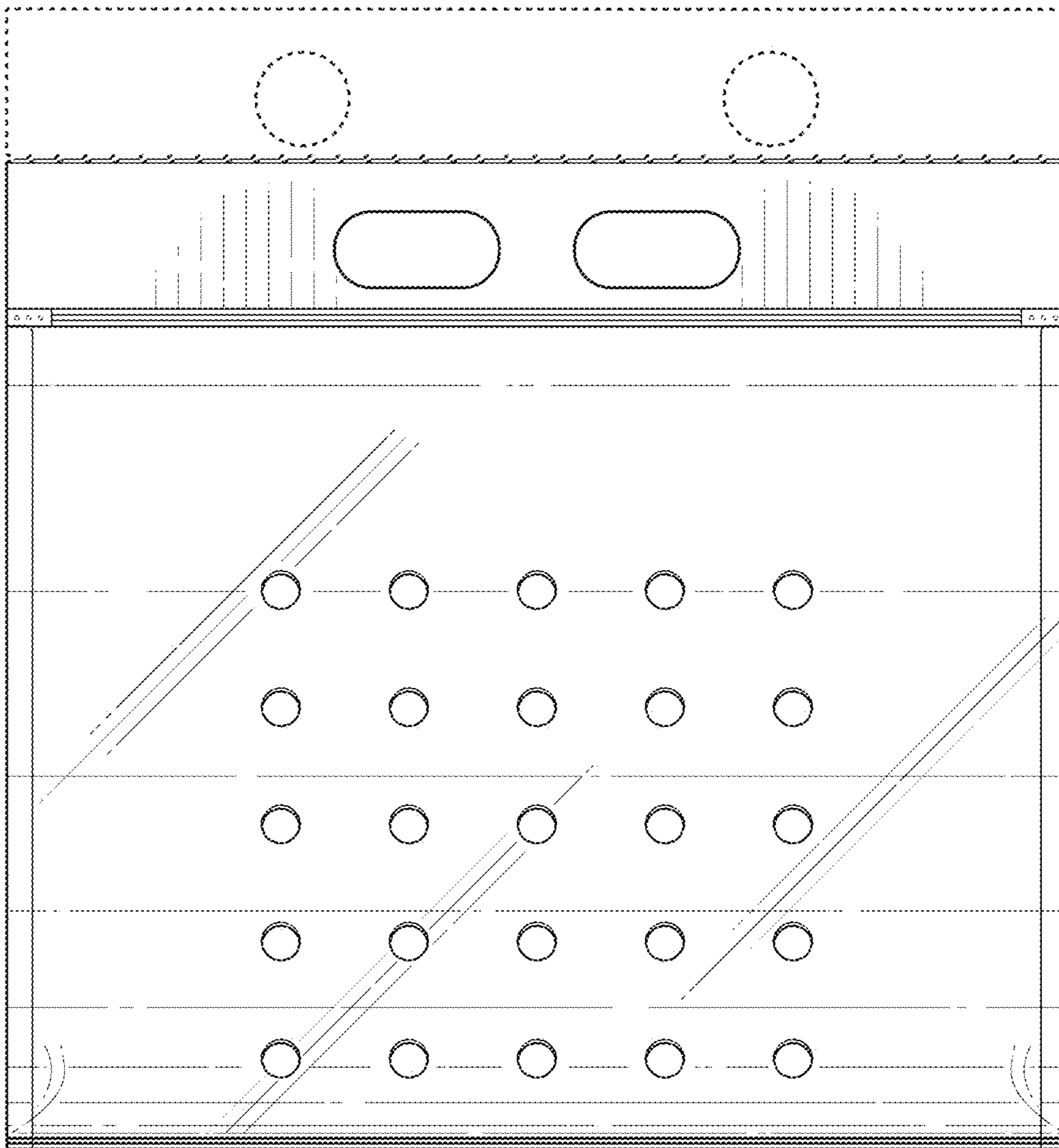


FIG. 9

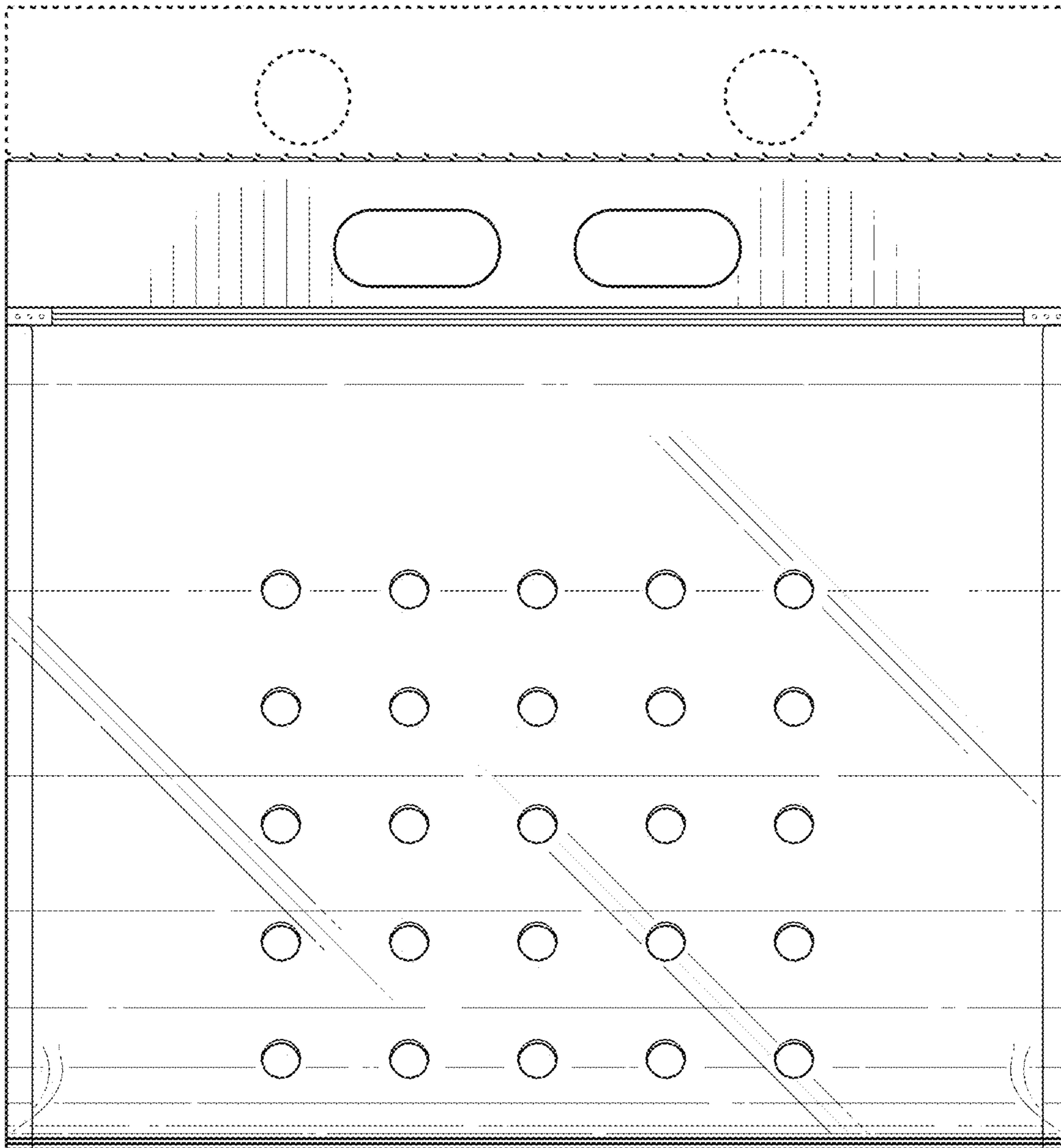


FIG. 10

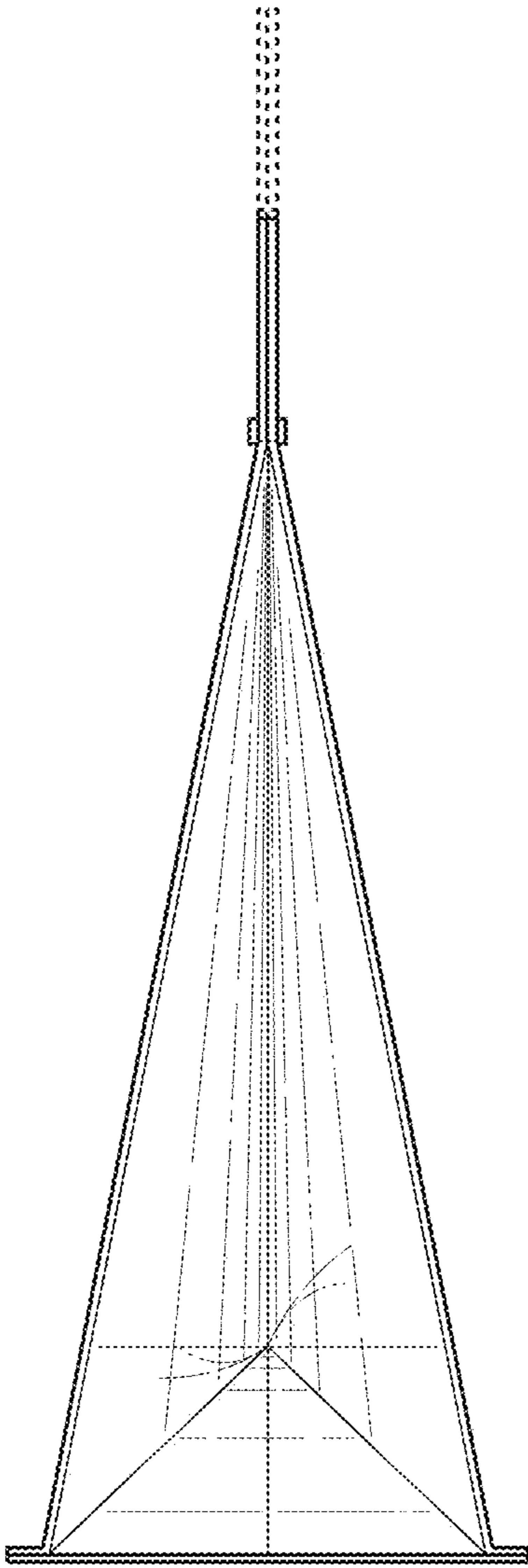


FIG. 11

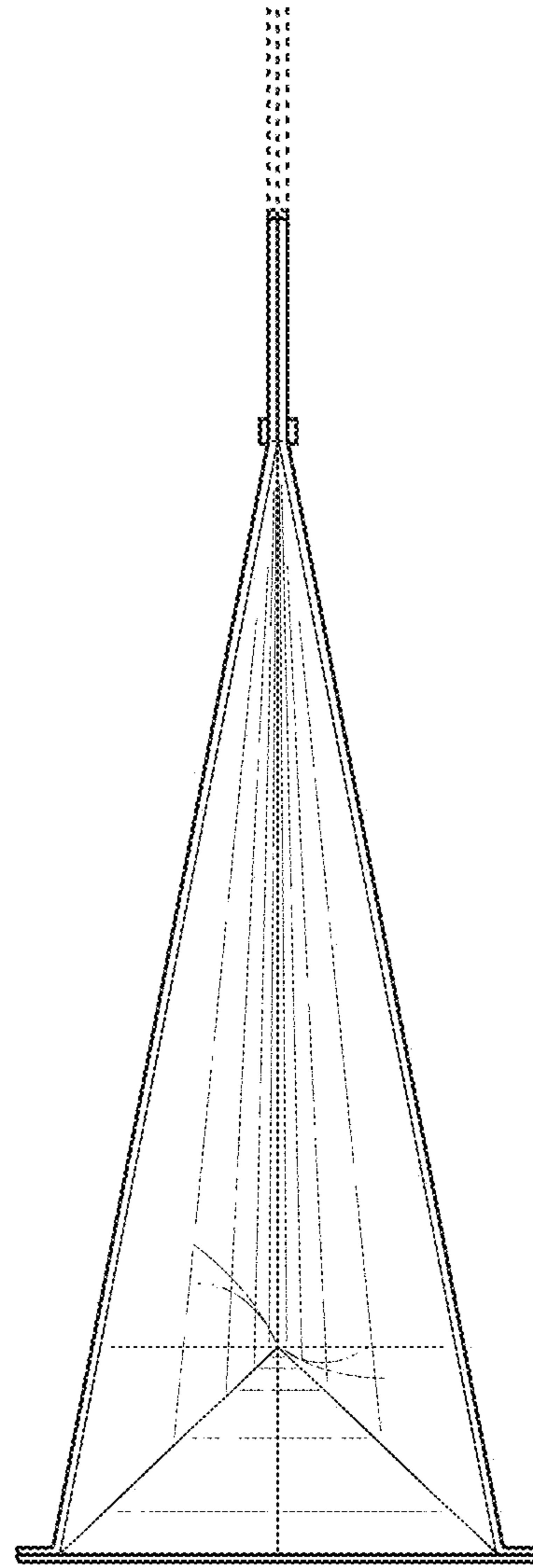
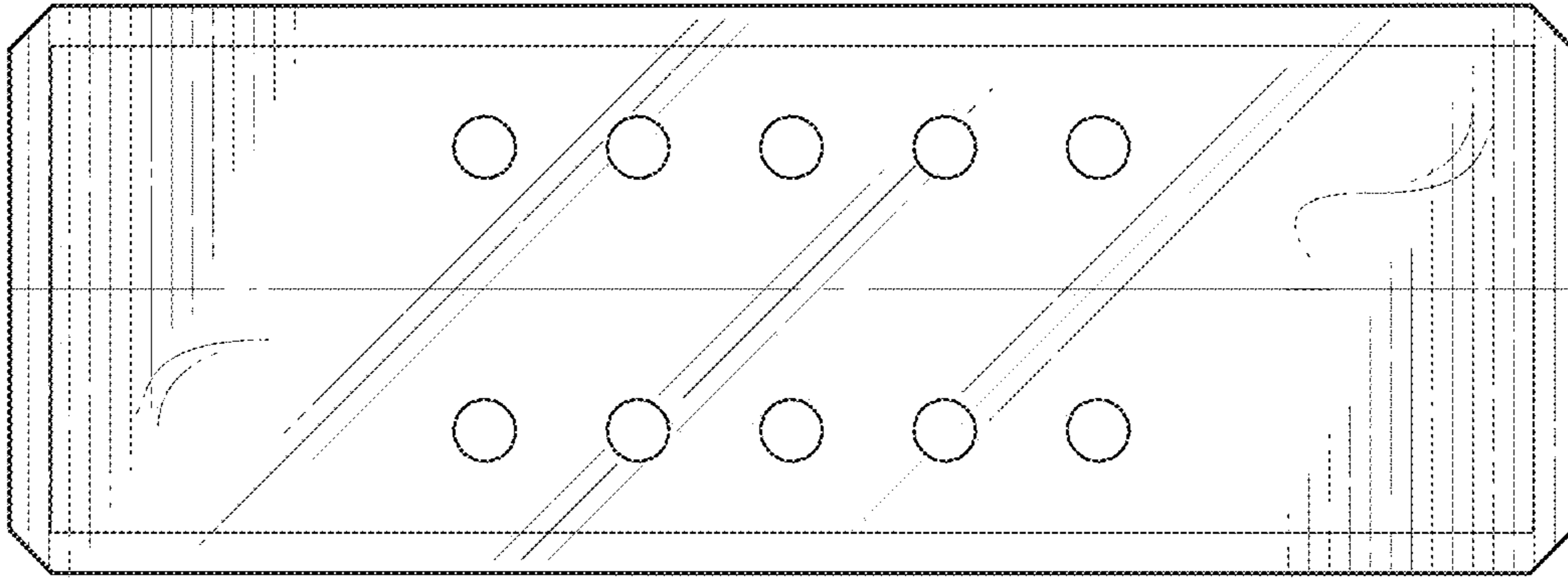
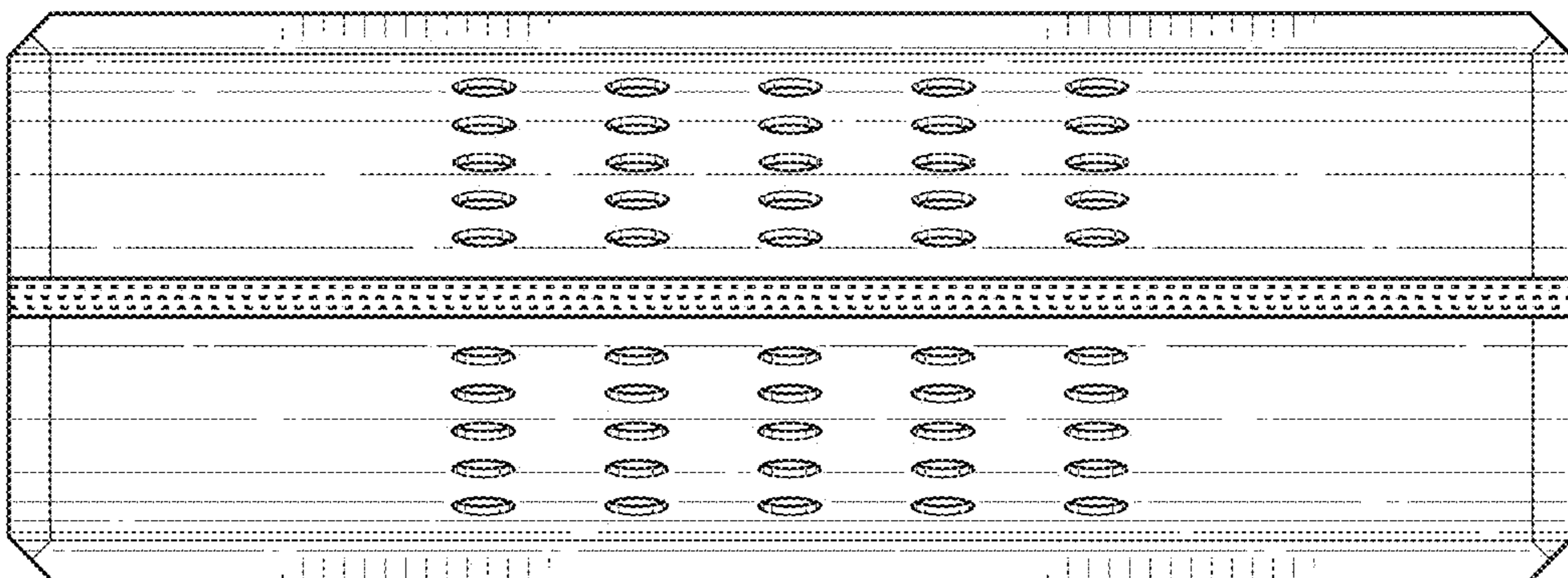


FIG. 12



**FIG. 13**



**FIG. 14**



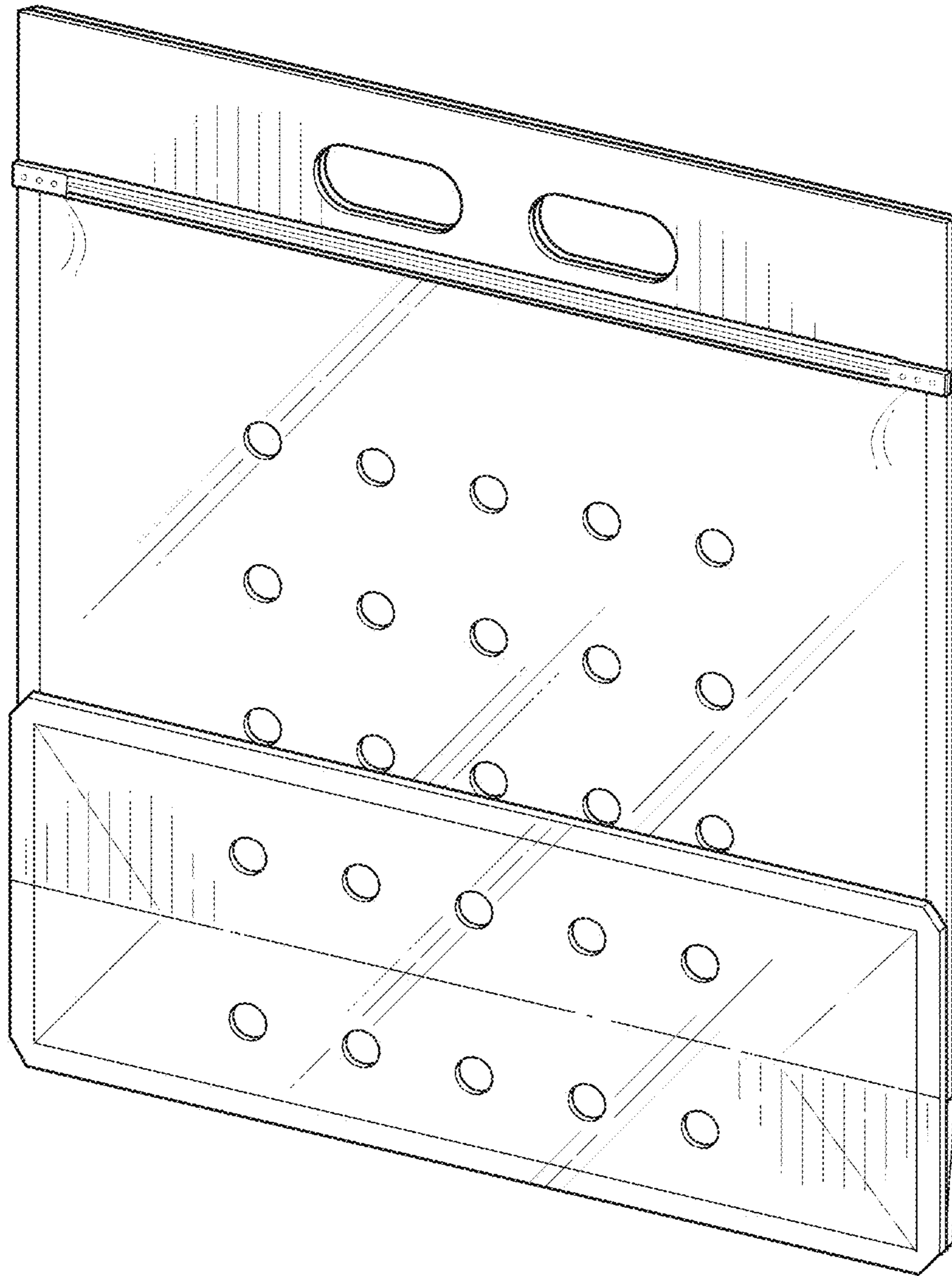


FIG. 15

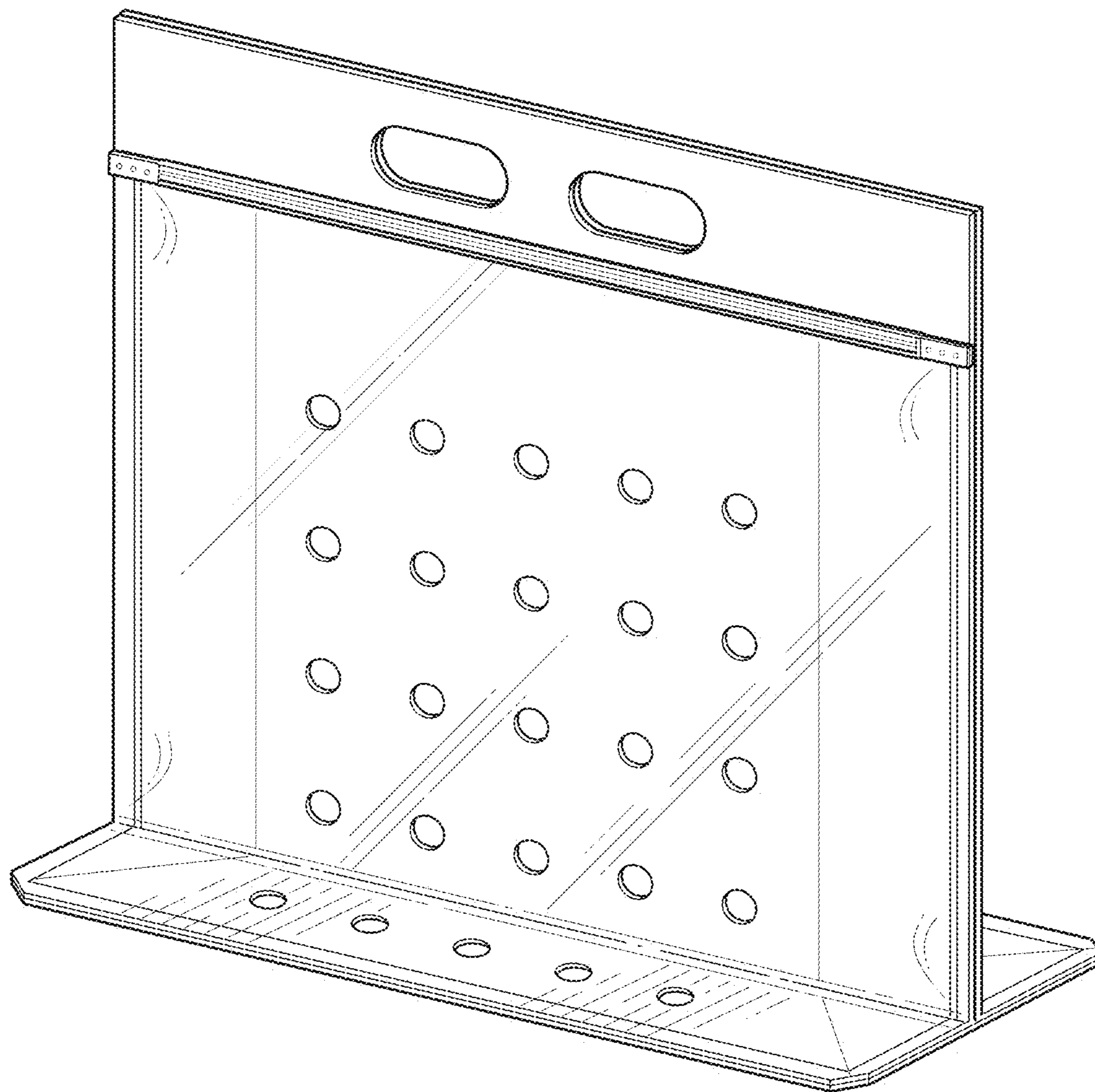


FIG. 16

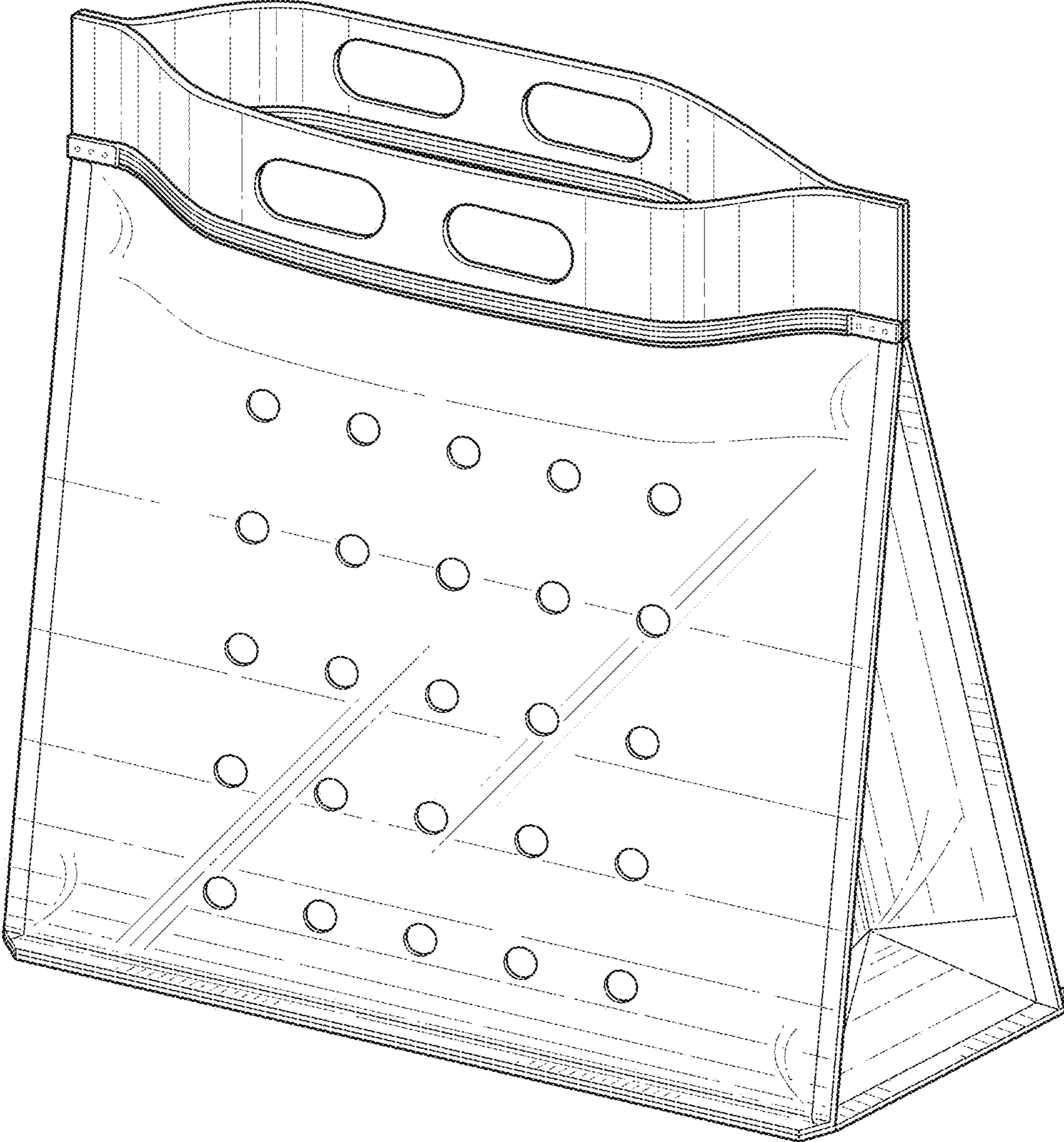


FIG. 17