



US00D873670S

(12) **United States Design Patent** (10) **Patent No.:** **US D873,670 S**
Vellas (45) **Date of Patent:** **** Jan. 28, 2020**

(54) **WINE BOTTLE**

(71) Applicant: **TEYRAN AGRI-SERVICES**, Teyran, FL (US)

(72) Inventor: **Nicolas Vellas**, Teyran, FL (US)

(73) Assignee: **TEYRAN AGRI-SERVICES**, Teyran (FR)

(**) Term: **15 Years**

(21) Appl. No.: **35/504,357**

(22) Filed: **Dec. 27, 2017**

(80) **Hague Agreement Data**

Int. Filing Date: **Dec. 27, 2017**

Int. Reg. No.: **DM/099259**

Int. Reg. Date: **Dec. 27, 2017**

Int. Reg. Pub. Date: **Jan. 26, 2018**

(30) **Foreign Application Priority Data**

Aug. 11, 2017 (EM) 004143857-0001

(51) **LOC (12) Cl.** **09-01**

(52) **U.S. Cl.**
USPC **D9/567**; D9/516

(58) **Field of Classification Search**
USPC D9/500-505, 516, 550, 552, 554, 565, D9/567, 649
CPC ... B65D 1/00; B65D 1/02; B65D 1/12; B65D 1/14; B65D 1/40; B65D 1/44; B65D 1/023; B65D 1/0223; B65D 1/165; B65D 1/238; B65D 1/246; B65D 1/253; B65D 7/04; B65D 21/0209; B65D 21/0233; B65D 25/00; B65D 25/28; B65D 41/0457; B65D 41/17; B65D 53/06; B65D 75/56; B65D 79/005; B65D 2501/0036; B65D 2543/00064; B65D 2543/00074; B65D 2543/00083; B65D 2543/00092; B65D 2543/00101; B65D 2543/00111

See application file for complete search history.

(56) **References Cited**

U.S. PATENT DOCUMENTS

RE21,900 E *	9/1941	Gehm	D9/649
D332,225 S *	1/1993	Perret	D9/516
D366,209 S *	1/1996	Farlander	D9/537
D370,178 S *	5/1996	Petre	D9/520
D395,002 S *	6/1998	Monahan	D9/554
D422,490 S *	4/2000	Nemeth	D9/649
D438,800 S *	3/2001	Brant	D9/451
D440,151 S *	4/2001	Carver	D9/649
D451,030 S *	11/2001	Trabal	D9/553
D454,503 S *	3/2002	Riddick, III	D9/537
D454,791 S *	3/2002	Trabal	D9/554
D458,144 S *	6/2002	Trabal	D9/554
D463,289 S *	9/2002	Haake	D9/554
D534,432 S *	1/2007	Wallwork	D9/552
D538,671 S *	3/2007	O'Danahue	D9/538
D585,294 S *	1/2009	Hainaut	D9/553
D630,519 S *	1/2011	Toms	D9/554
D674,700 S *	1/2013	Degener	D9/530
D710,707 S *	8/2014	Colloud	D9/554
D833,882 S *	11/2018	Le Luherne	D9/600

* cited by examiner

Primary Examiner — Keli L Hill

(74) *Attorney, Agent, or Firm* — Craft Chu PLLC; Andrew W. Chu

(57) **CLAIM**

The ornamental design for a wine bottle, as shown and described.

DESCRIPTION

1.1 is a rear elevation view of a wine bottle.

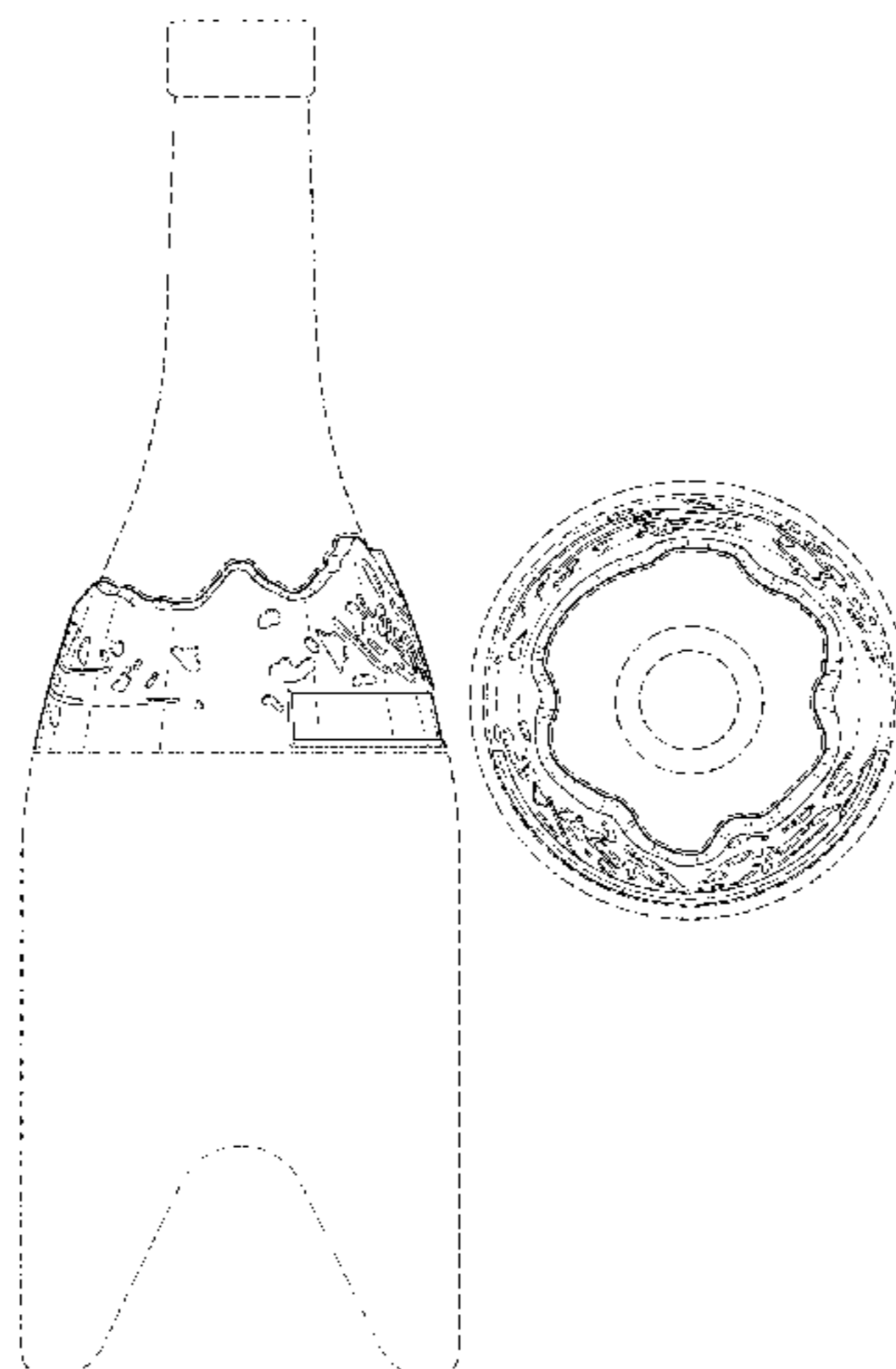
1.2 is a front elevation view thereof.

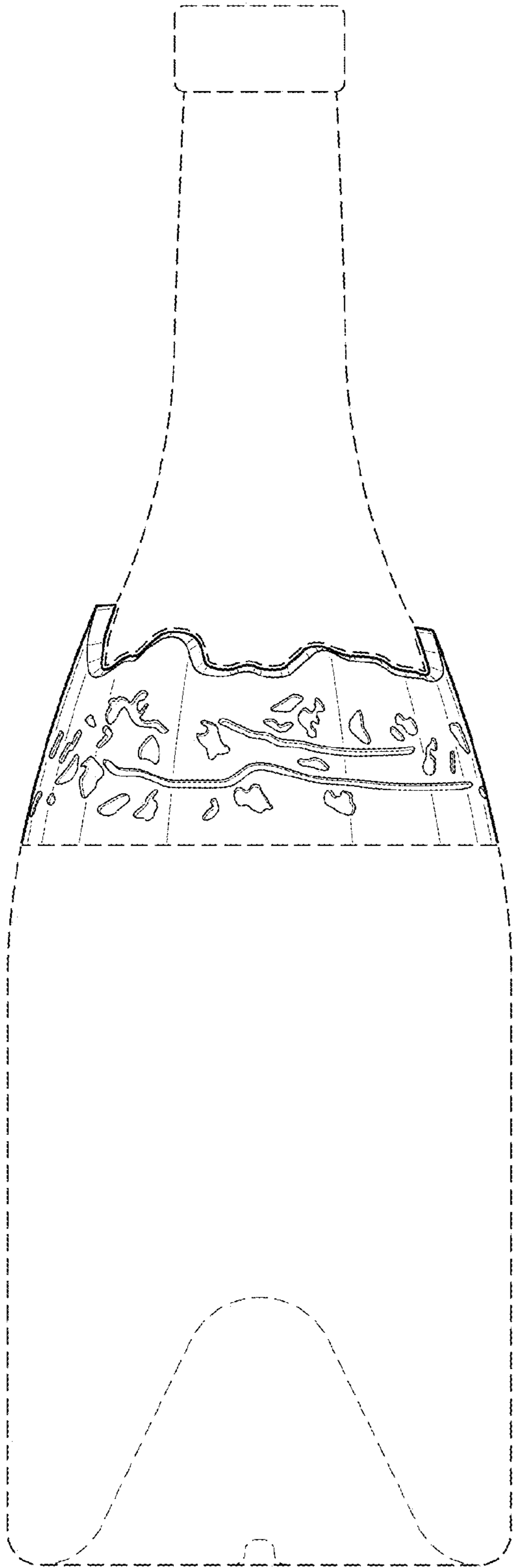
1.3 is a side elevation view thereof.

1.4 is a top plan view thereof.

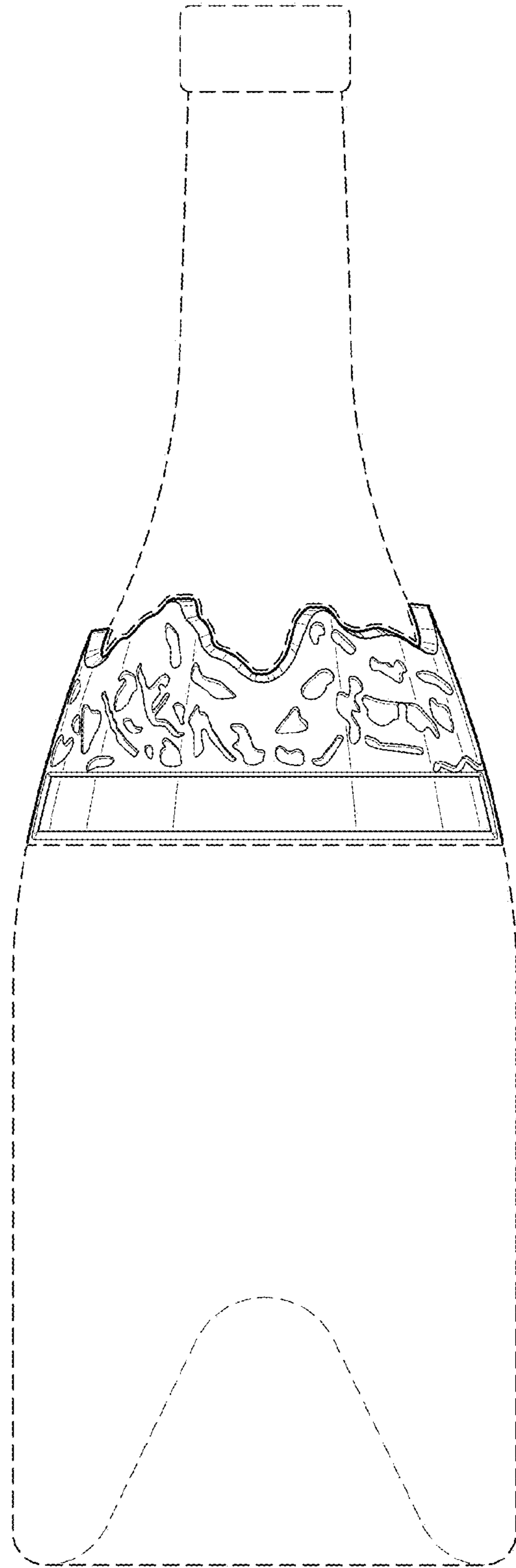
The broken lines illustrate environment and form no part of the claimed design.

1 Claim, 2 Drawing Sheets

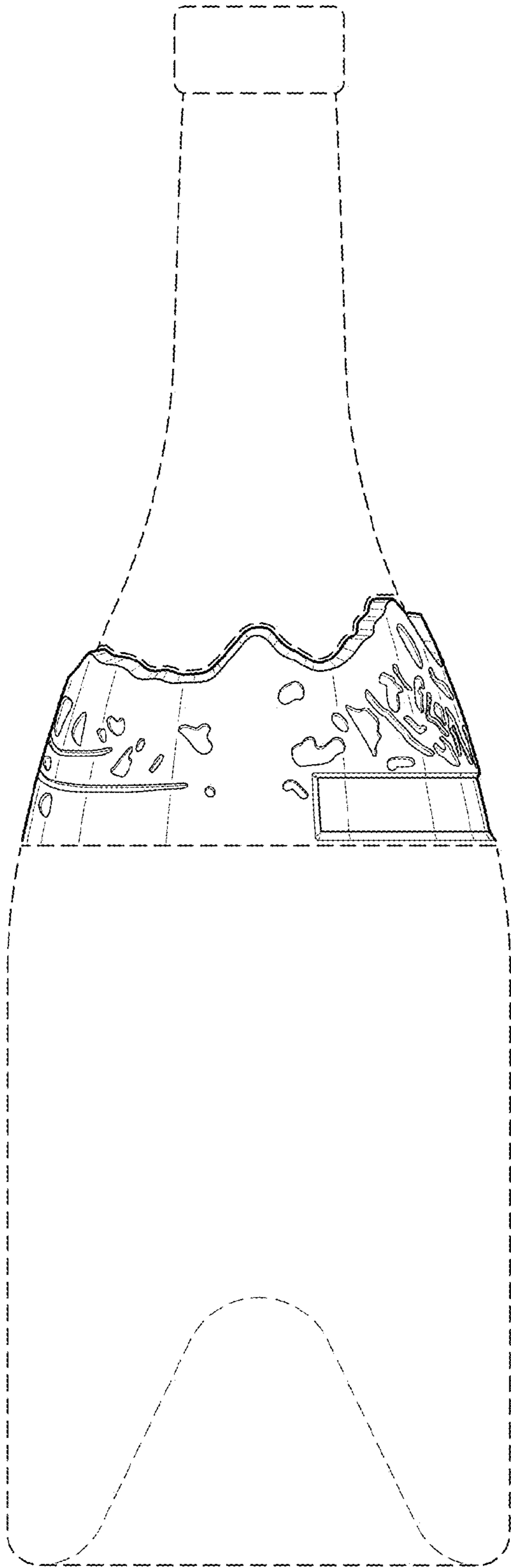




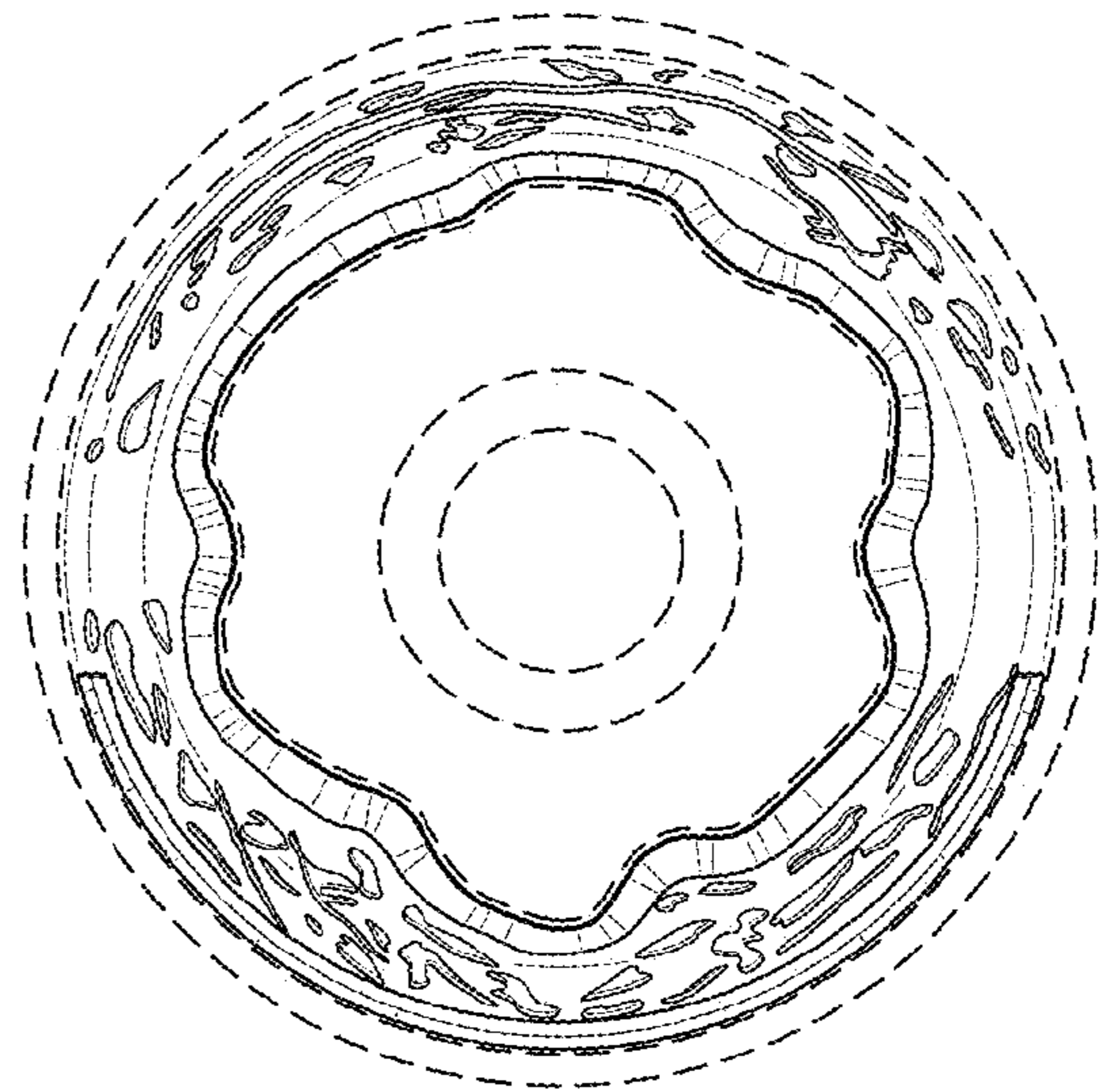
1.1



1.2



1.3



1.4