



US00D873668S

(12) **United States Design Patent**
Melkonian

(10) **Patent No.:** **US D873,668 S**

(45) **Date of Patent:** **** Jan. 28, 2020**

(54) **BOTTLE**

(71) Applicant: **DOWN TOWN WHOLESALERS, INC.**, Vernon, CA (US)

(72) Inventor: **Arman Melkonian**, Granada Hills, CA (US)

(**) Term: **15 Years**

(21) Appl. No.: **29/647,210**

(22) Filed: **May 10, 2018**

(51) **LOC (12) Cl.** **09-01**

(52) **U.S. Cl.**

USPC **D9/531**; D9/520; D9/540; D9/557

(58) **Field of Classification Search**

USPC D9/434, 502, 516, 520, 522, 528,
D9/530-531, 537-538, 540-541, 548,
D9/549, 550, 557, 575, 715, 719;
D7/509-511, 533, 536

CPC B65D 1/00; B65D 1/02; B65D 1/0223;
B65D 1/0261; B65D 1/0284; B65D 1/44;
B65D 23/00; B65D 23/10; B65D 23/102;
B65D 2501/00; B65D 2501/0009; A45F
3/16; A45F 3/18

See application file for complete search history.

(56) **References Cited**

U.S. PATENT DOCUMENTS

| | | | |
|--------------|--------|----------|--------|
| D339,067 S | 9/1993 | Rokus | |
| D355,367 S * | 2/1995 | Rokus | D9/531 |
| D361,039 S * | 8/1995 | Rokus | D9/531 |
| D379,929 S * | 6/1997 | Dallaire | D9/520 |
| D412,847 S * | 8/1999 | Wainberg | D9/531 |

| | | | |
|--------------|---------|---------------|--------|
| D419,885 S | 2/2000 | Gonzalez C. | |
| D433,636 S * | 11/2000 | Gonzalez C. | D9/531 |
| D474,692 S | 5/2003 | Yu | |
| 6,910,596 B2 | 6/2005 | Herckner | |
| D531,512 S | 11/2006 | Yu | |
| D624,822 S * | 10/2010 | Lovelace, Jr. | D9/531 |
| D651,854 S * | 1/2012 | Cabados | D7/510 |
| D726,018 S * | 4/2015 | Archer | D9/446 |
| D750,434 S * | 3/2016 | Kirkpatrick | D7/510 |
| D805,846 S * | 12/2017 | Kirkpatrick | D7/510 |
| D810,574 S * | 2/2018 | Melkonian | D9/531 |
| D830,180 S * | 10/2018 | Melkonian | D9/531 |
| D838,598 S * | 1/2019 | Melkonian | D9/531 |
| D856,085 S * | 8/2019 | Archer | D7/510 |

* cited by examiner

Primary Examiner — Dana Meyrow

(74) *Attorney, Agent, or Firm* — Foundation Law Group;
Sevag Demirjian

(57) **CLAIM**

The ornamental design for a bottle, as shown and described.

DESCRIPTION

FIG. 1 - Top, front, left side perspective view of a bottle, showing my new design;
FIG. 2 - Front elevation view thereof;
FIG. 3 - Rear elevation view thereof;
FIG. 4 - Right side elevation view thereof, the left side elevation view being a mirror image thereof;
FIG. 5 - Top plan view thereof; and,
FIG. 6 - Bottom plan view thereof.

The broken lines shown are included for the purpose of illustrating the unclaimed portions of the bottle and form no part of the claim.

1 Claim, 3 Drawing Sheets

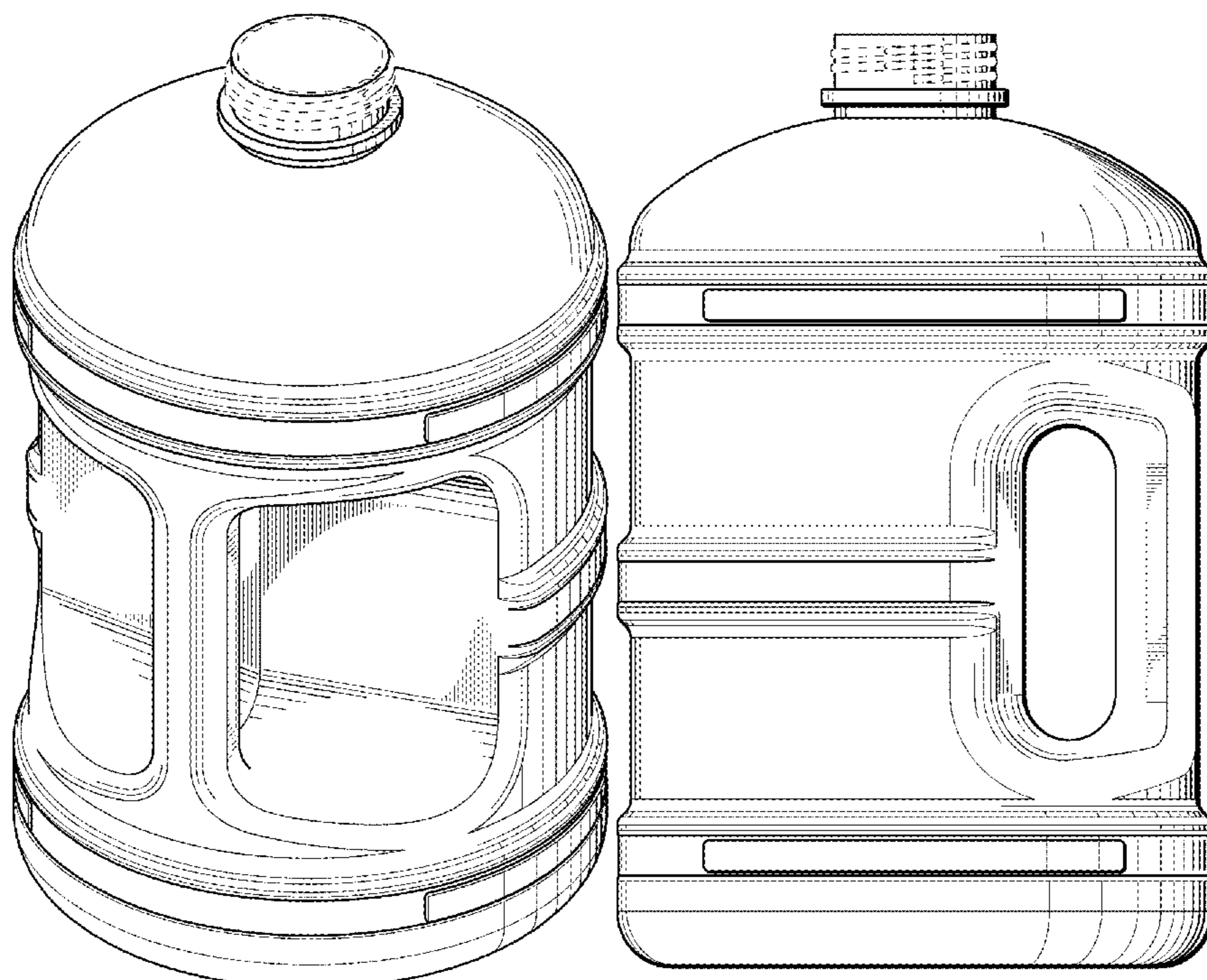


FIG. 1

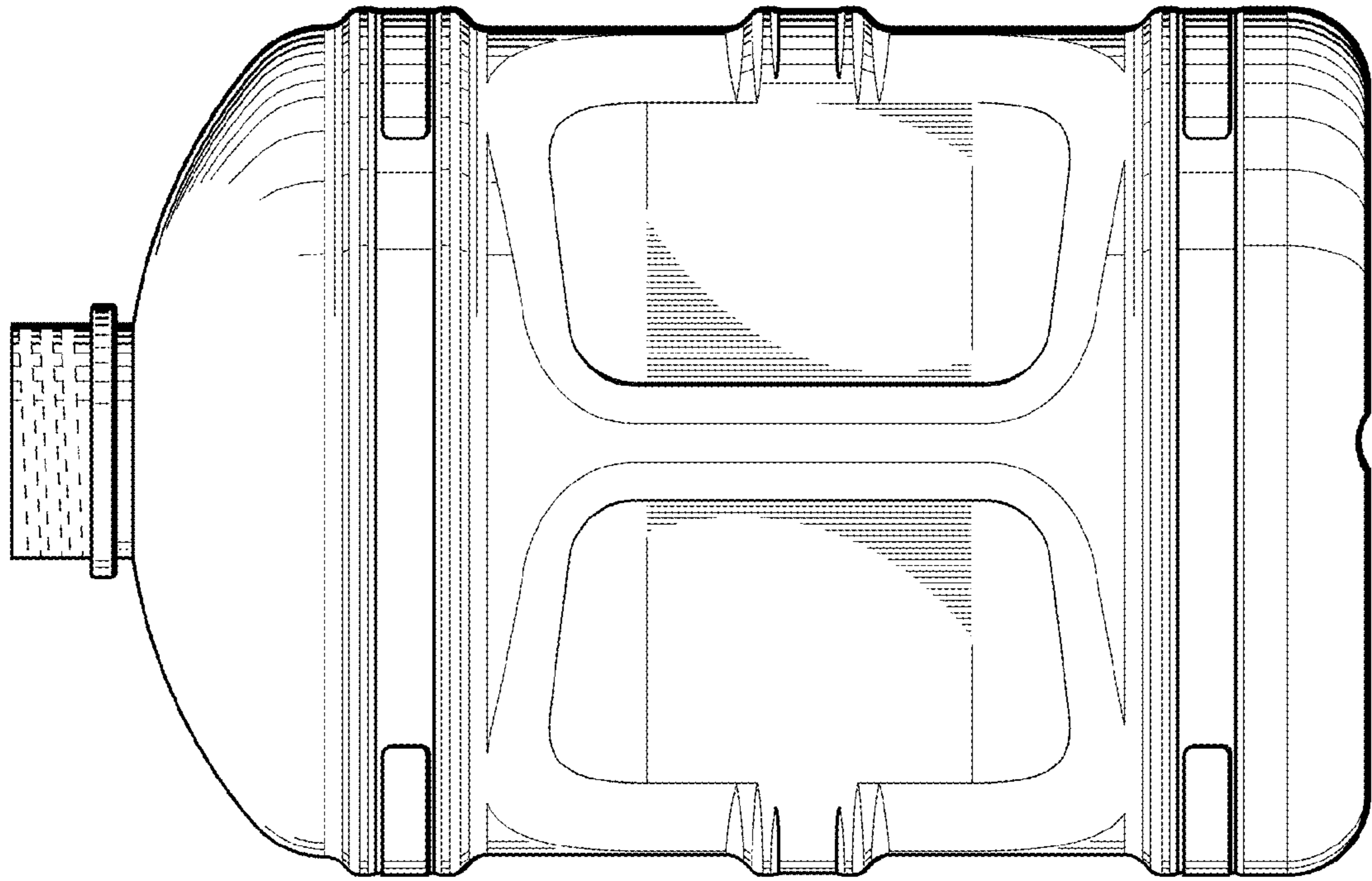
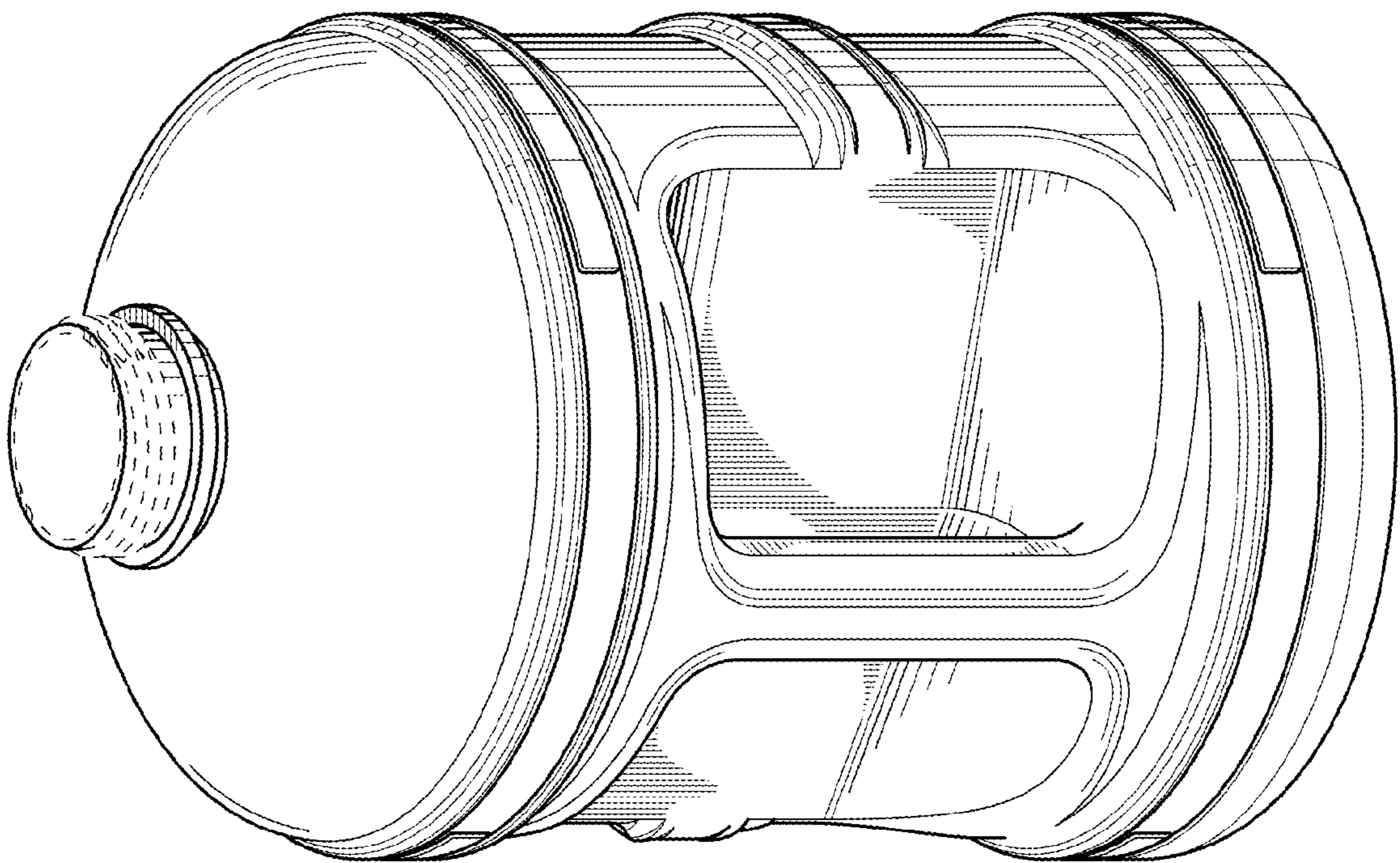


FIG. 2

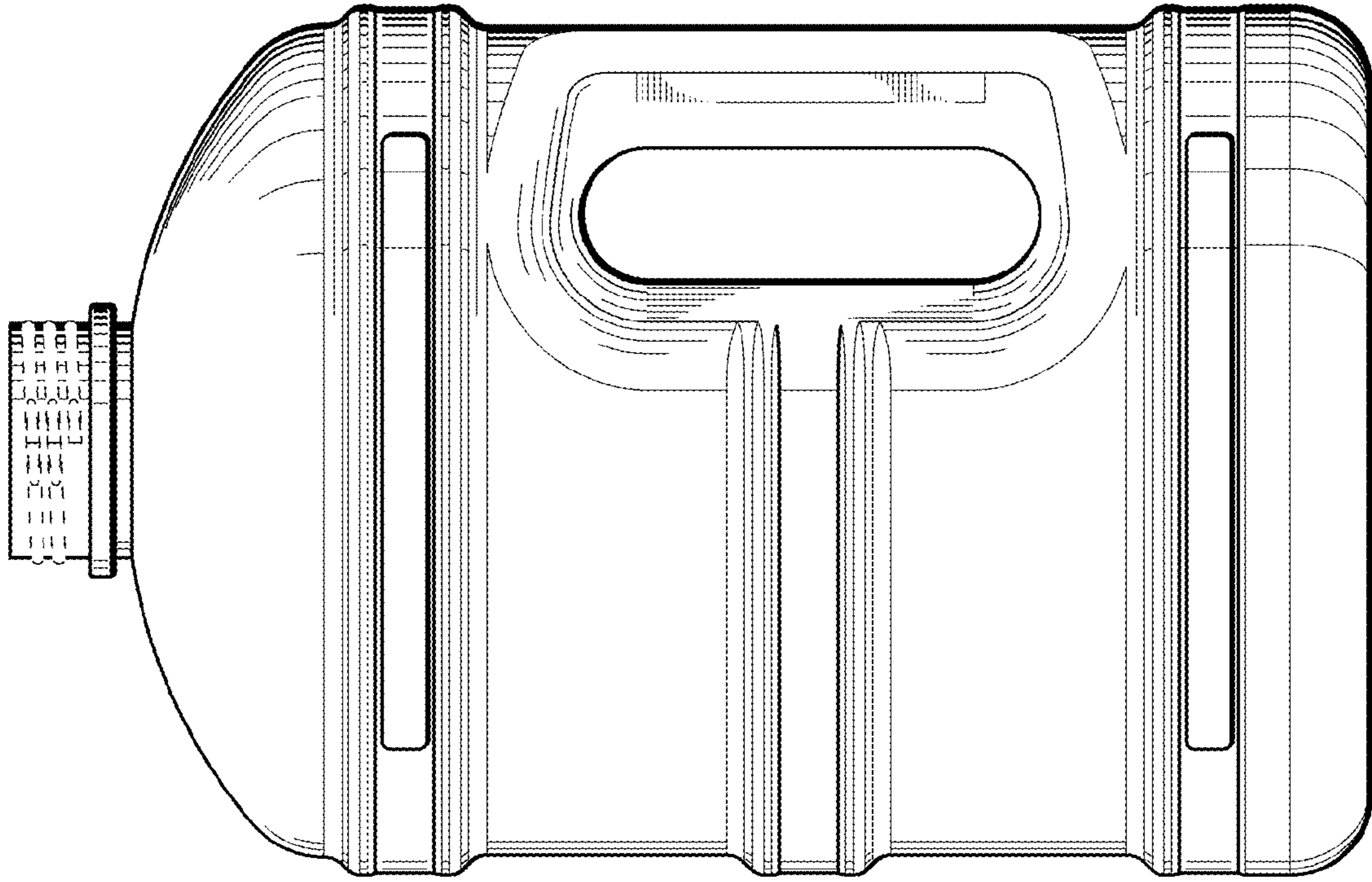


FIG. 4

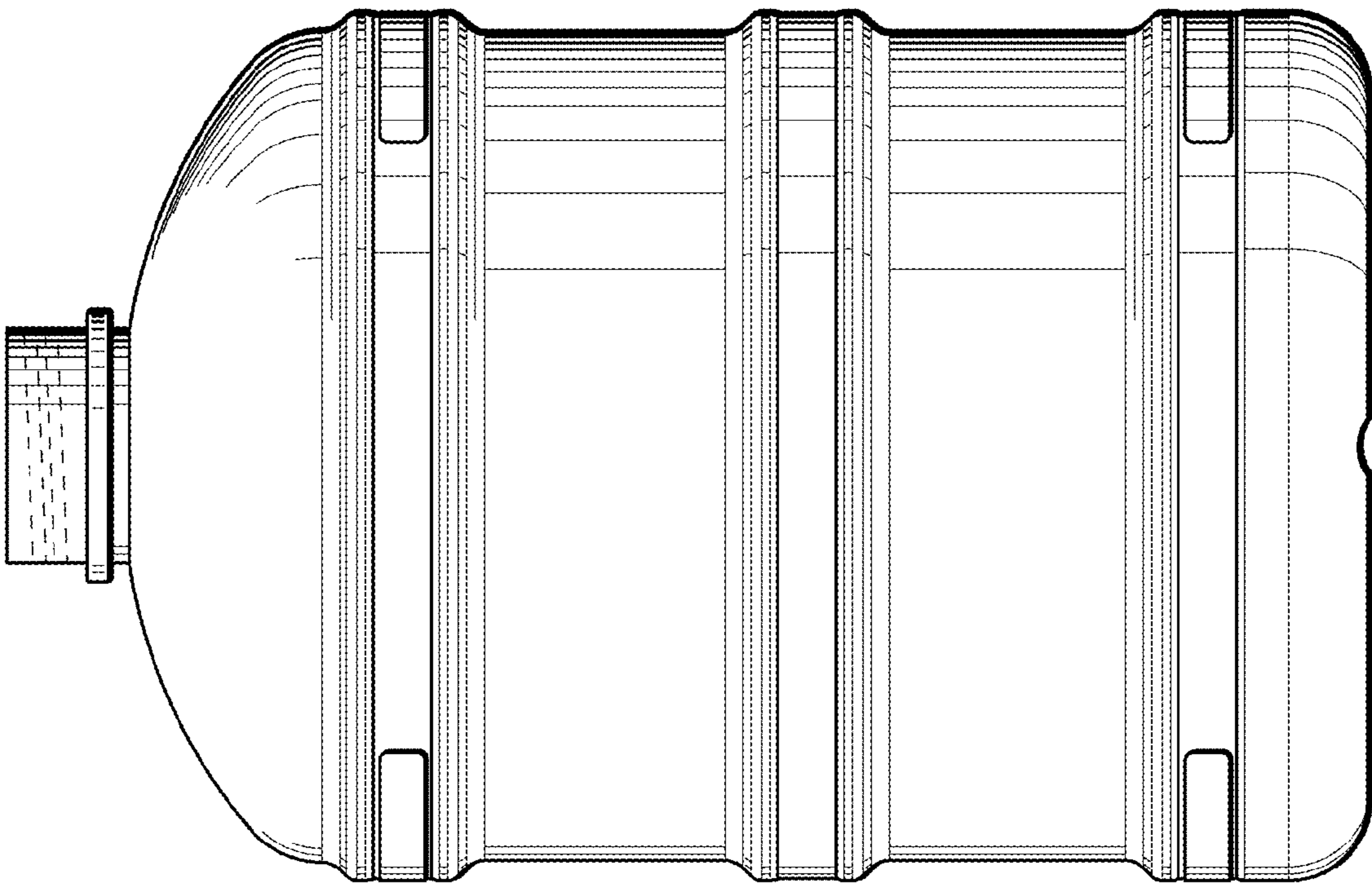


FIG. 3

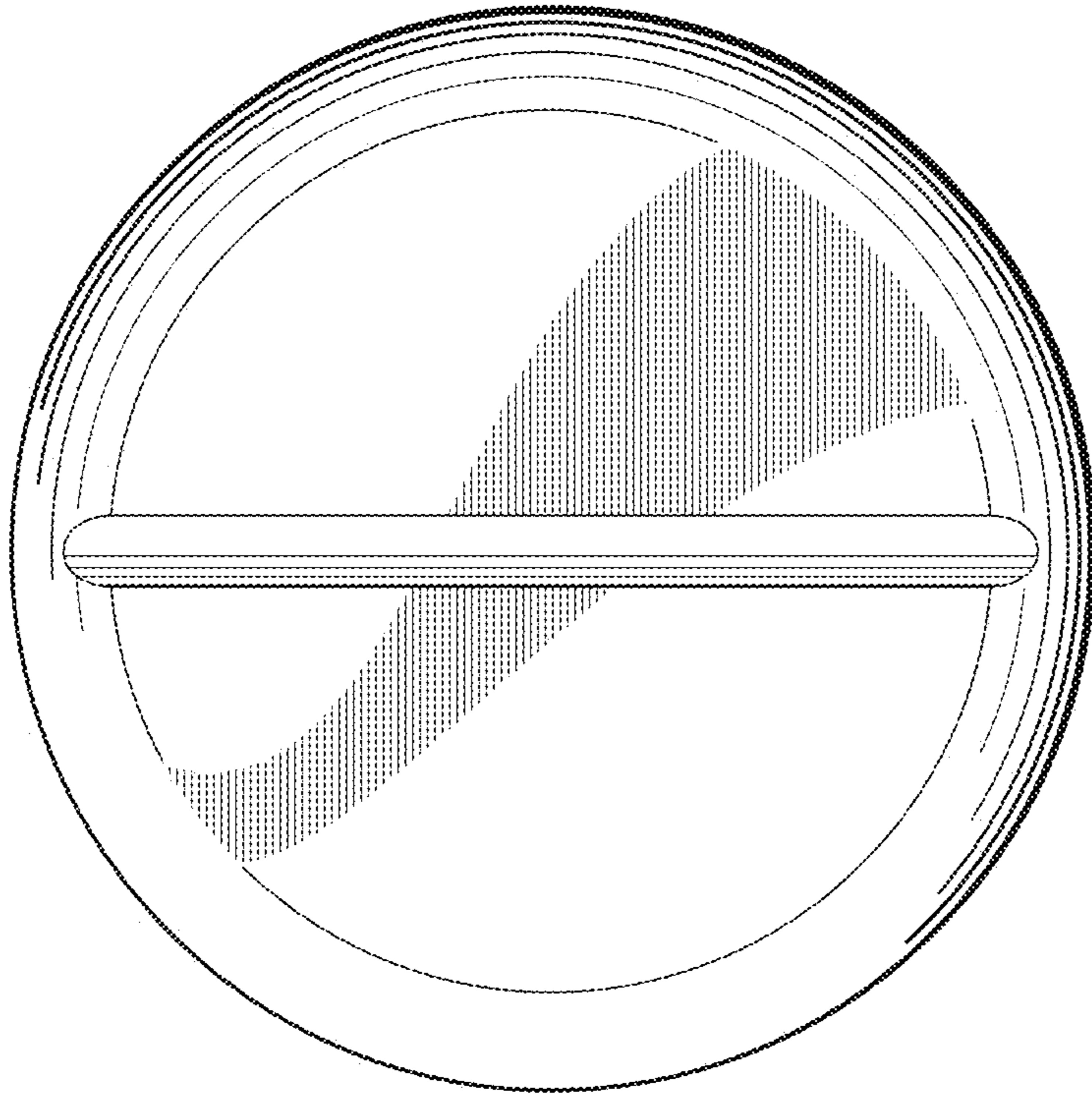


FIG. 6

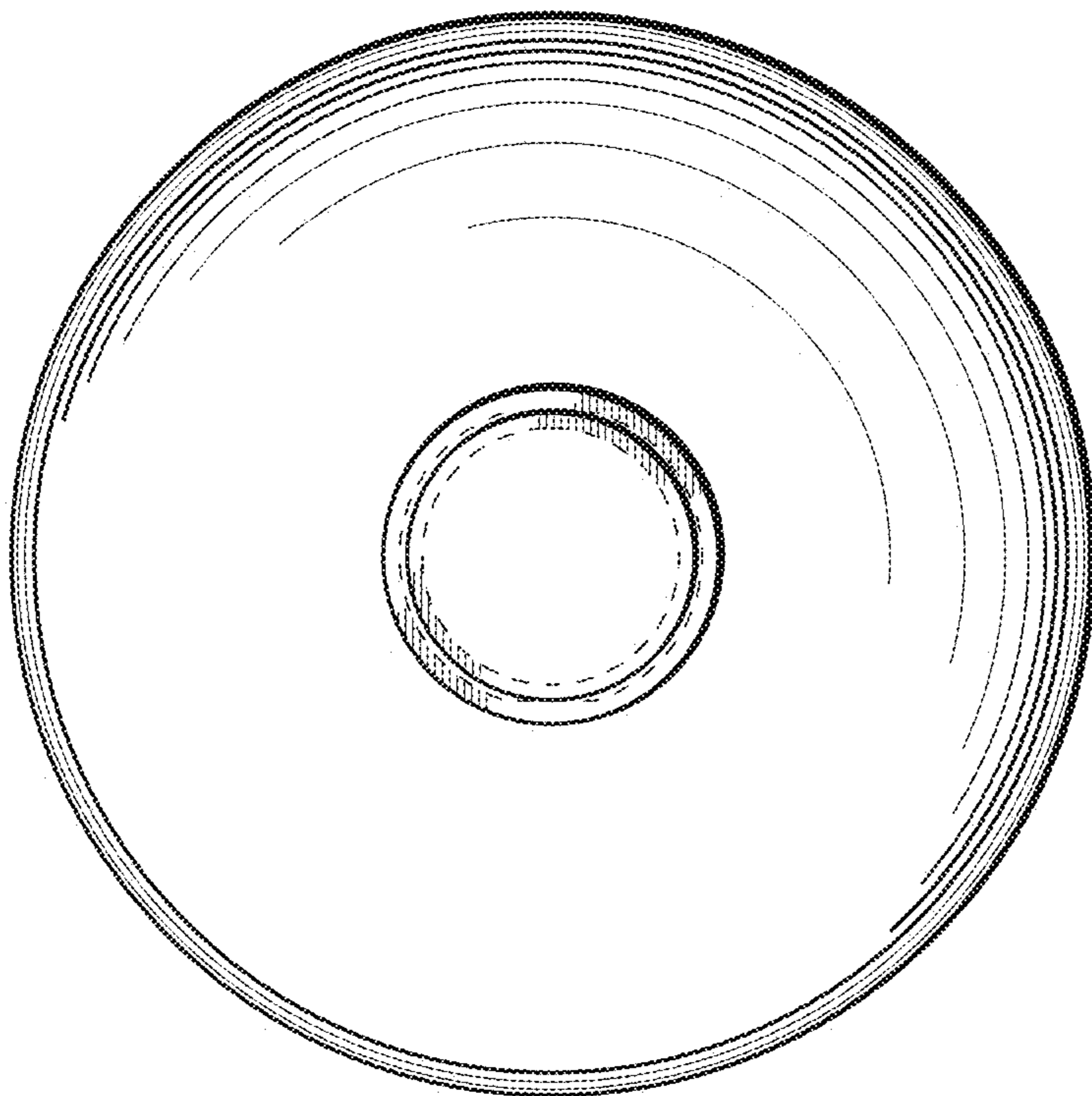


FIG. 5