



US00D873663S

(12) **United States Design Patent**  
**Browell et al.**

(10) **Patent No.:** **US D873,663 S**  
(45) **Date of Patent:** **\*\* Jan. 28, 2020**

(54) **ACTUATOR FOR AEROSOL CONTAINERS**

(71) Applicant: **PPG Industries Australia PTY Ltd,**  
Clayton (AU)

(72) Inventors: **Matthew Browell,** Forrest Hill (AU);  
**Edward Ko,** Newtown (AU); **Alfred Ching,** Meadowbank (AU); **Chris Davey,** St. Peters (AU); **Andrew Simpson,** Haberfield (AU)

(73) Assignee: **PPG Industries Australia PTY LTD.,**  
Clayton, Victoria (AU)

(\*\*) Term: **15 Years**

(21) Appl. No.: **29/635,049**

(22) Filed: **Jan. 26, 2018**

(30) **Foreign Application Priority Data**

Jul. 26, 2017 (AU) ..... 201714448

(51) **LOC (12) Cl.** ..... **09-07**

(52) **U.S. Cl.**  
USPC ..... **D9/448**

(58) **Field of Classification Search**

USPC ..... D9/414, 416, 425, 434, 435, 436, 438,  
D9/439, 440, 442, 443, 446-450,  
D9/452-457, 499, 503-505, 682, 685,  
D9/686; D7/387, 391, 392, 392.1, 393,  
D7/394, 396.1-396.4, 401.1, 503-505,  
D7/509-511, 538, 900; D3/201, 202,  
D3/203.2, 318; D28/91, 91.1  
CPC .. A61J 1/00; A61J 1/1412; B65D 1/00; B65D  
1/02; B65D 1/10; B65D 1/46; B65D  
2585/56; B65D 2585/545; B65D 41/00;  
B65D 41/38; B65D 41/56; B65D 41/62;  
B65D 47/00; B65D 47/06; B65D 47/08;  
B65D 2543/00046; B65D 2543/00092;  
B65D 2543/00296; B65D 5/46; B65D  
2251/00

See application file for complete search history.

(56) **References Cited**

U.S. PATENT DOCUMENTS

D476,558 S \* 7/2003 Cho ..... D9/685  
D489,970 S \* 5/2004 Nelson ..... D9/688

(Continued)

OTHER PUBLICATIONS

Aptar's Dual-Action Trigger Powers Simple Solution's Platimun Stain Remover, Mar. 20, 2017, <http://news.aptar.com/solutions/aptars-dual-action-trigger-powers-simple-solutions-platinum-stain-remover/>, downloaded Mar. 6, 2018, 3 pages.

(Continued)

*Primary Examiner* — Michael A. Pratt

*Assistant Examiner* — Wendy L Arminio

(74) *Attorney, Agent, or Firm* — Alan G. Towner

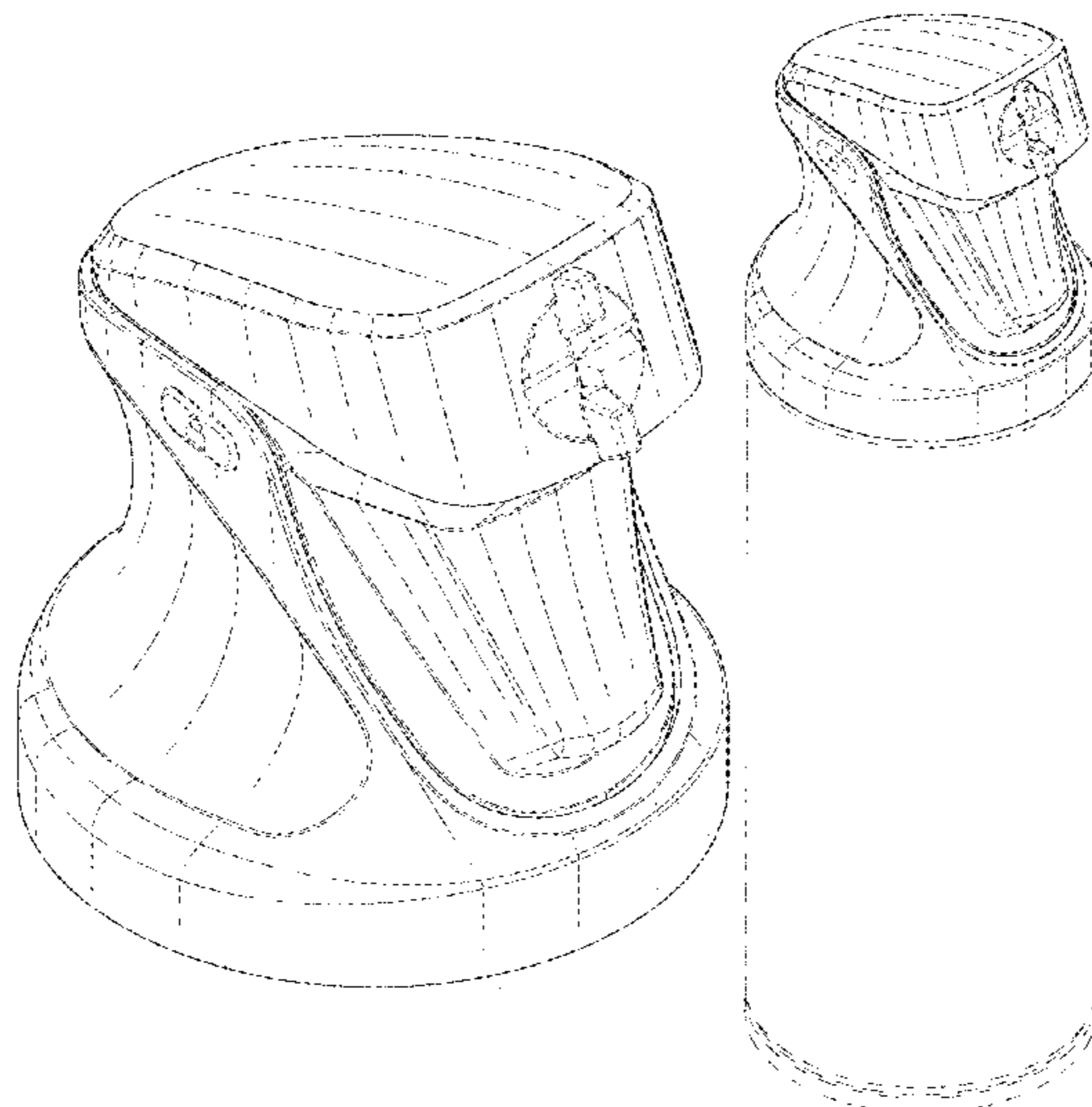
(57) **CLAIM**

The ornamental design for an actuator for aerosol containers, as shown and described.

**DESCRIPTION**

FIG. 1 is a top front perspective view of an actuator for aerosol containers showing the new design; FIG. 2 is a top back perspective view thereof; FIG. 3 is a front view thereof; FIG. 4 is a back view thereof; FIG. 5 is a left side view thereof; FIG. 6 is a right side view thereof; FIG. 7 is a top view thereof; and, FIG. 8 is a top front perspective view thereof, wherein the actuator is mounted on an aerosol container to show the environment in which the actuator may be used. The broken lines illustrating an aerosol container depict environment and form no part of the claimed design. All other broken lines depict portions of the actuator for aerosol containers that form no part of the claimed design.

**1 Claim, 8 Drawing Sheets**



(56)

References Cited

U.S. PATENT DOCUMENTS

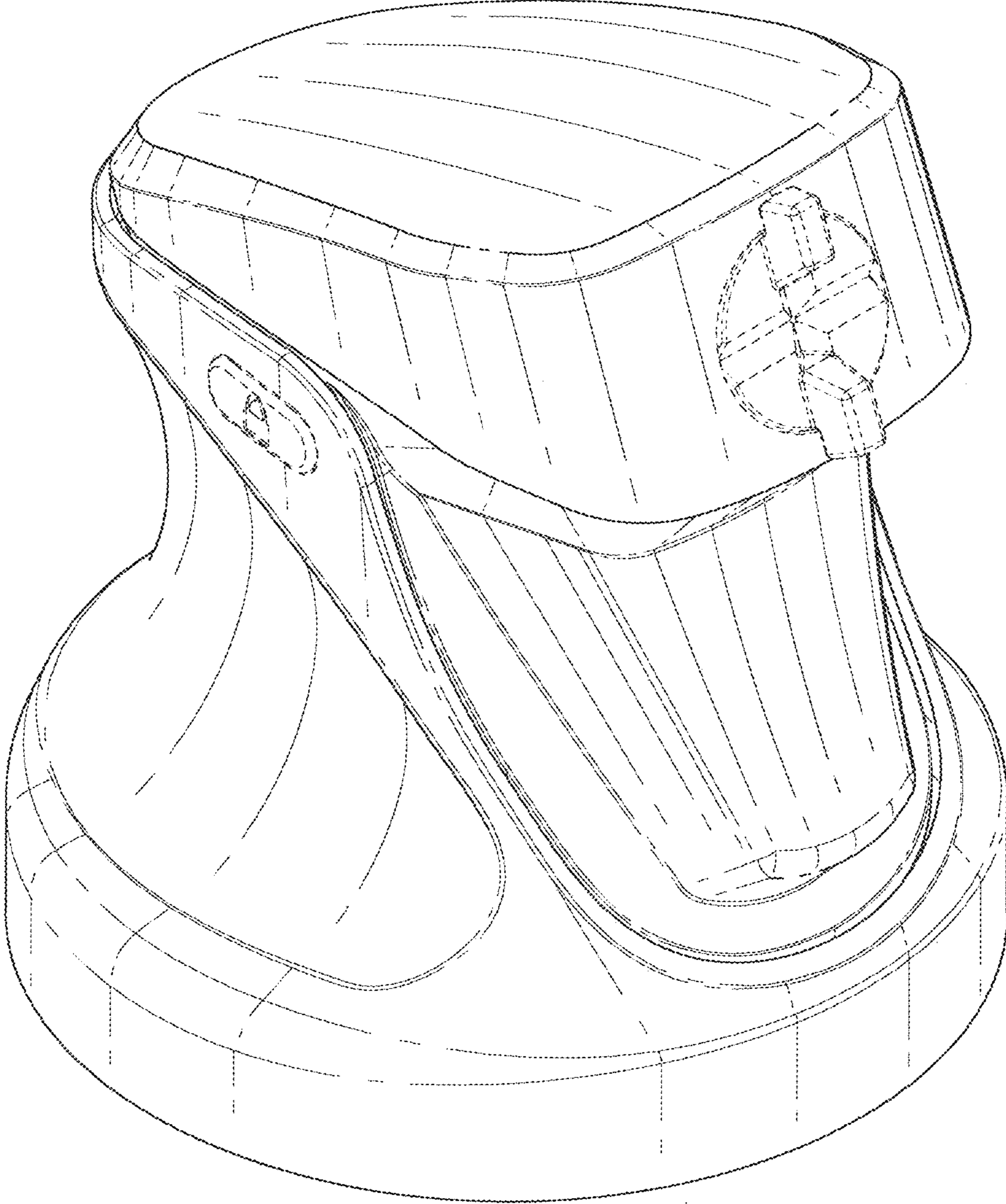
D509,136 S \* 9/2005 Walters ..... D9/447  
 D537,359 S \* 2/2007 Butler ..... D9/685  
 D539,142 S \* 3/2007 Butler ..... D9/448  
 7,204,393 B2 \* 4/2007 Strand ..... B65D 83/206  
 222/402.13  
 D576,874 S \* 9/2008 Miller ..... D9/448  
 D581,789 S \* 12/2008 Ames ..... D9/448  
 D582,272 S \* 12/2008 Cichy ..... D9/448  
 D590,712 S \* 4/2009 Sweeton ..... D9/448  
 D591,612 S \* 5/2009 Ames ..... D9/685  
 D595,575 S \* 7/2009 Cichy ..... D9/448  
 D675,103 S \* 1/2013 Broen ..... D9/682  
 8,444,026 B2 5/2013 Adams et al.  
 D710,697 S \* 8/2014 Lind ..... D9/448  
 D718,624 S \* 12/2014 Hanson ..... D9/448  
 D731,321 S \* 6/2015 Farrell ..... D9/685  
 9,156,042 B2 10/2015 Hanson et al.  
 9,315,314 B2 4/2016 Sell  
 D777,033 S \* 1/2017 Takizawa ..... D9/448  
 D787,326 S \* 5/2017 Hanson ..... D23/225

D790,342 S \* 6/2017 Farrell ..... D9/448  
 D796,322 S \* 9/2017 Hanson ..... D9/448  
 2004/0222246 A1 \* 11/2004 Bates ..... B05B 11/3052  
 222/402.15  
 2011/0233235 A1 \* 9/2011 Adams ..... B65D 83/205  
 222/402.13  
 2012/0048959 A1 \* 3/2012 Maas ..... B05B 9/0822  
 239/1  
 2012/0097713 A1 \* 4/2012 MacKinnon ..... B65D 83/206  
 222/402.13  
 2013/0112766 A1 5/2013 Maas et al.  
 2014/0209633 A1 \* 7/2014 McDaniel ..... B29B 11/14  
 222/95

OTHER PUBLICATIONS

Aptar Introduces the Runway Aerosol Trigger for Dual Control, Jul. 23, 2014, <http://news.aptar.com/solutions/aptar-introduces-the-runway-aerosol-trigger-for-dual-control-and-convenience/>, downloaded Mar. 6, 2018, 3 pages.

\* cited by examiner



*FIG. 1*



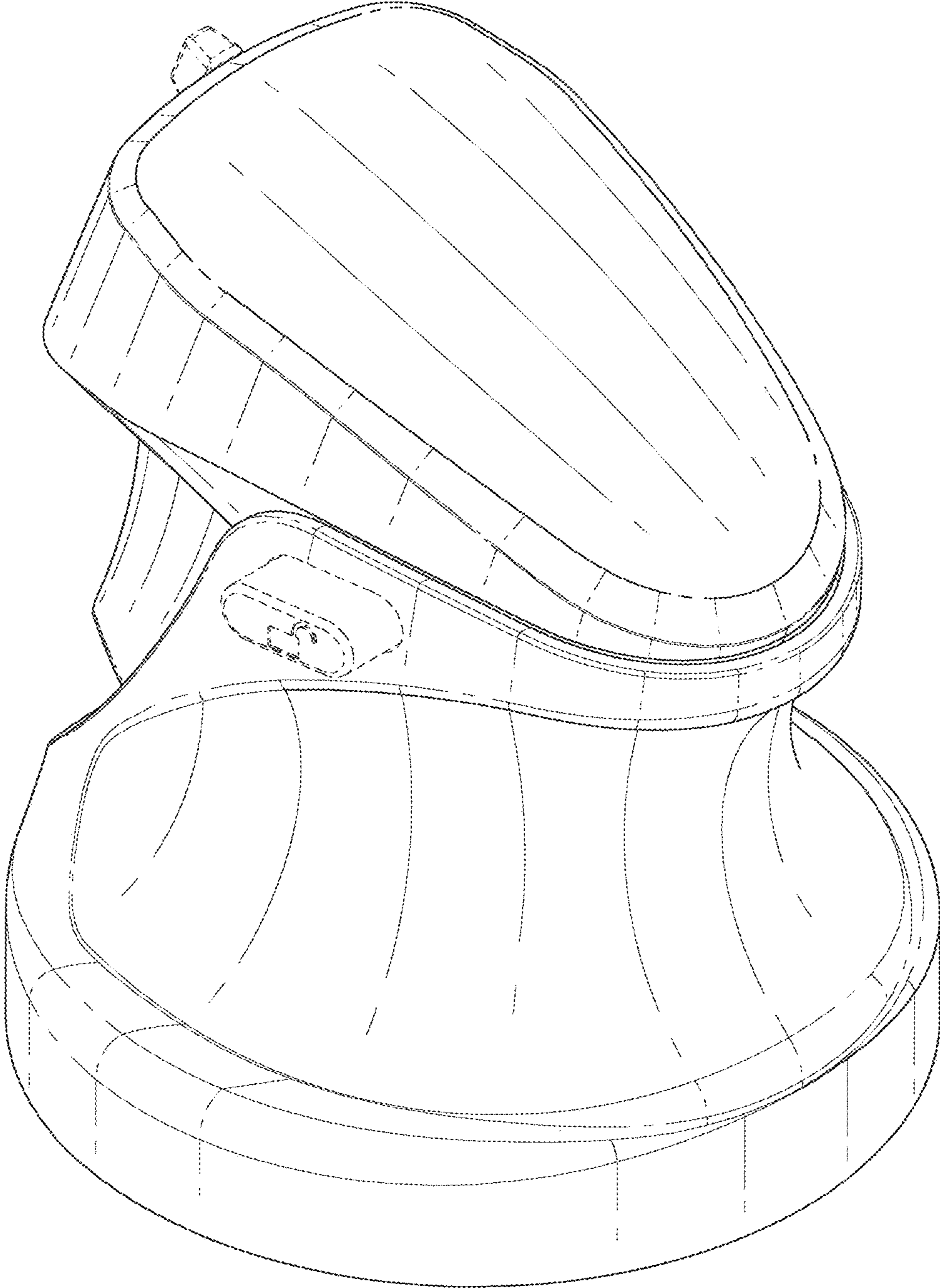
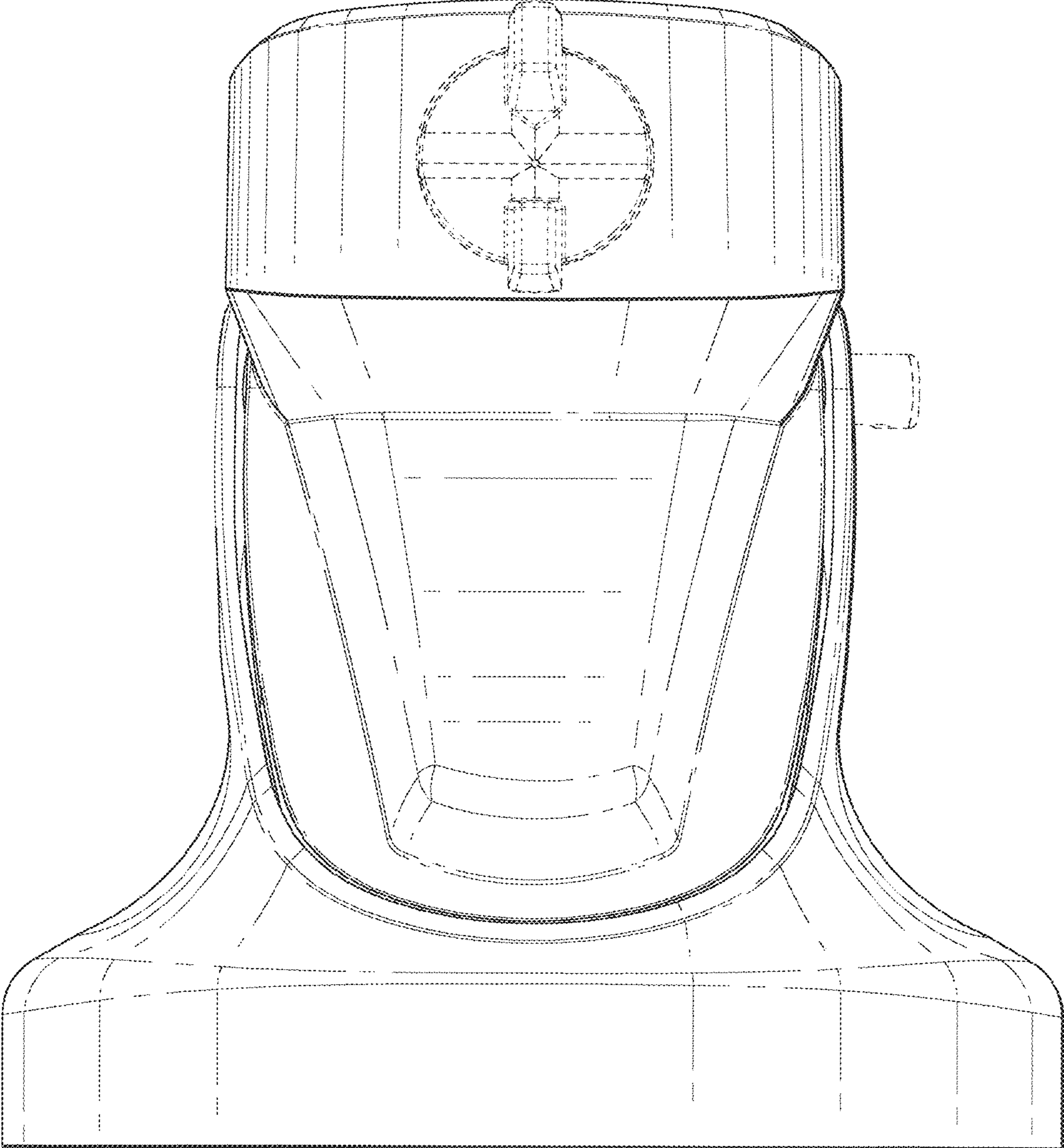


FIG. 2



*FIG. 3*

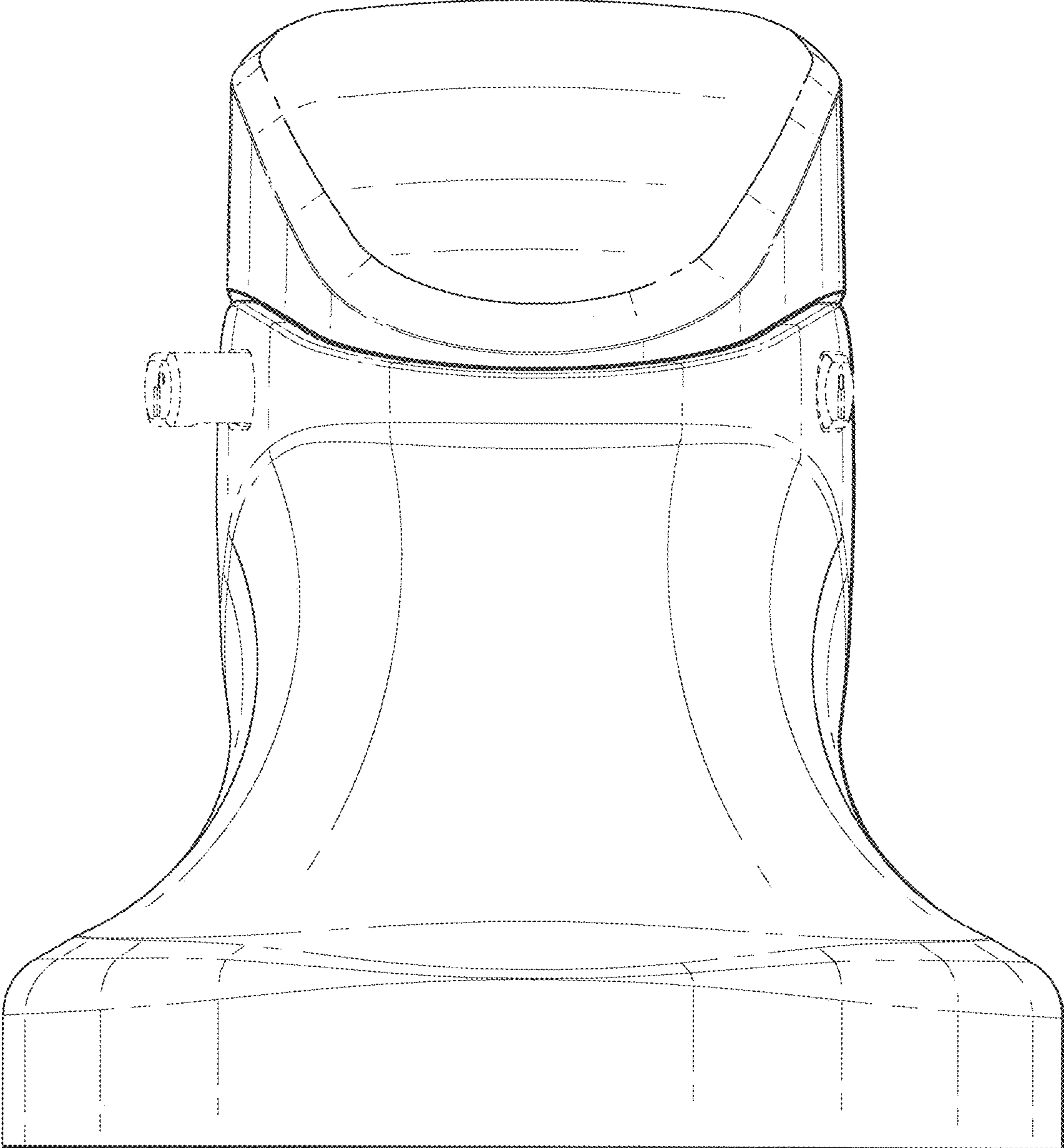


FIG. 4

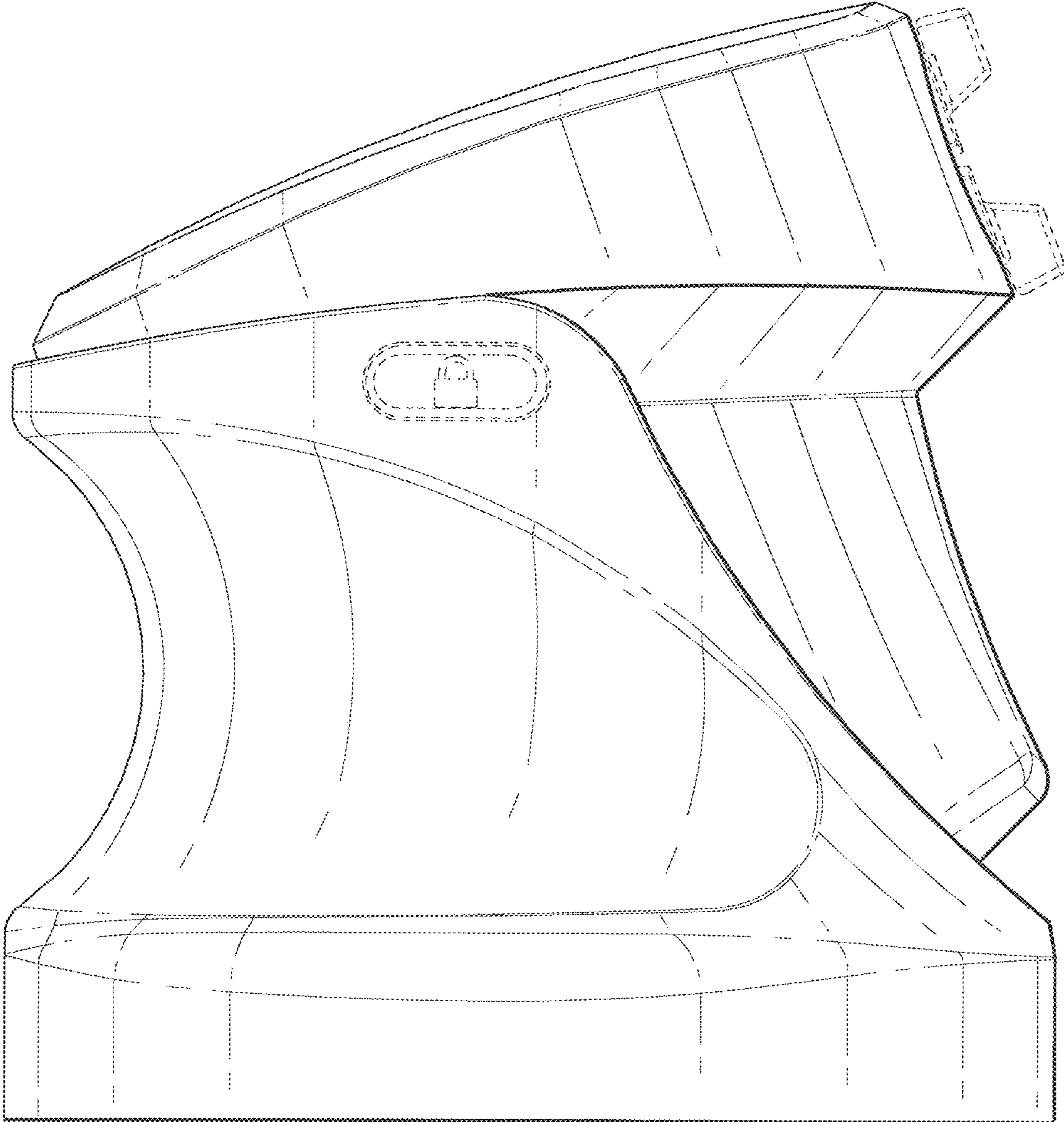


FIG. 5



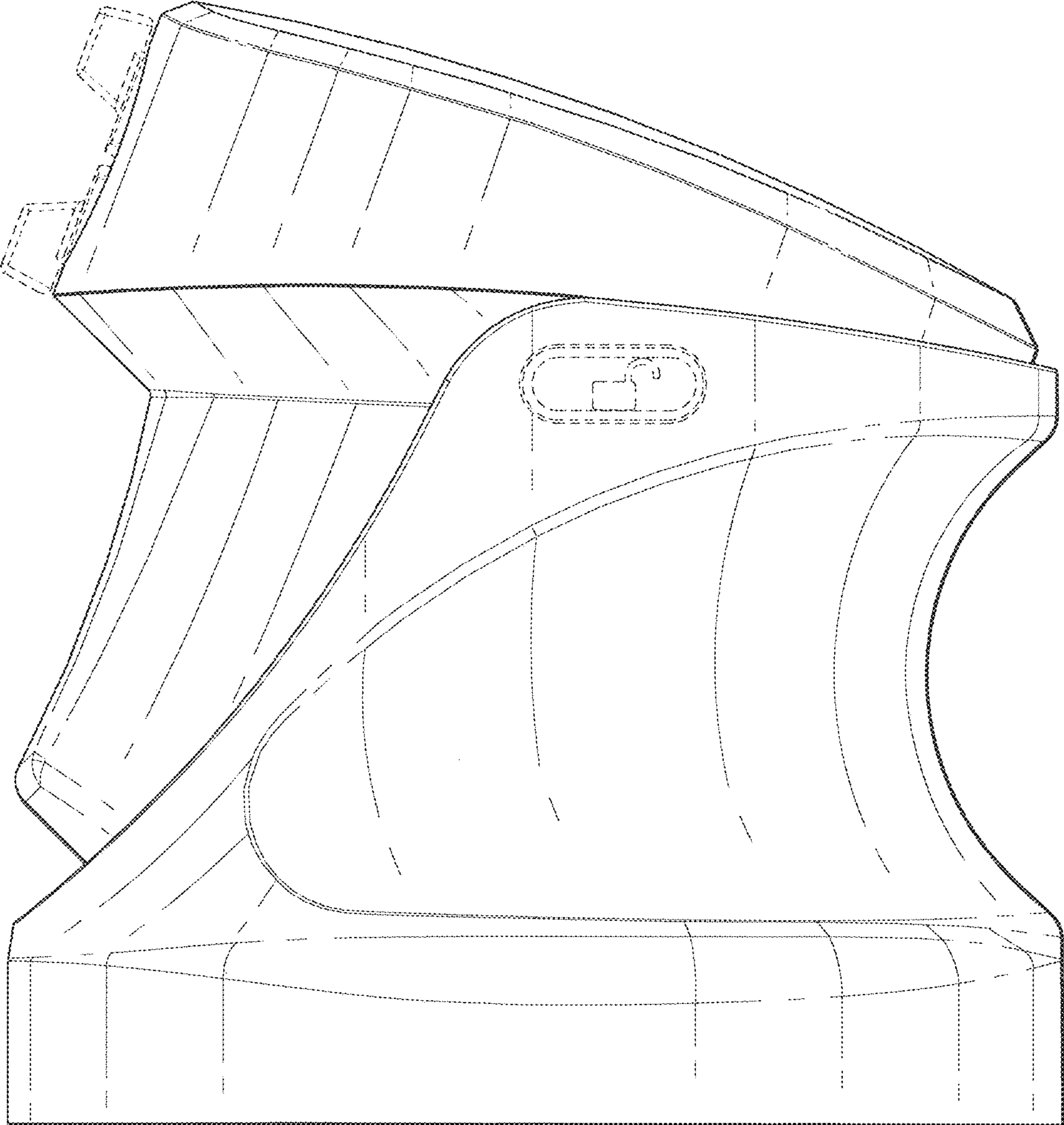


FIG. 6



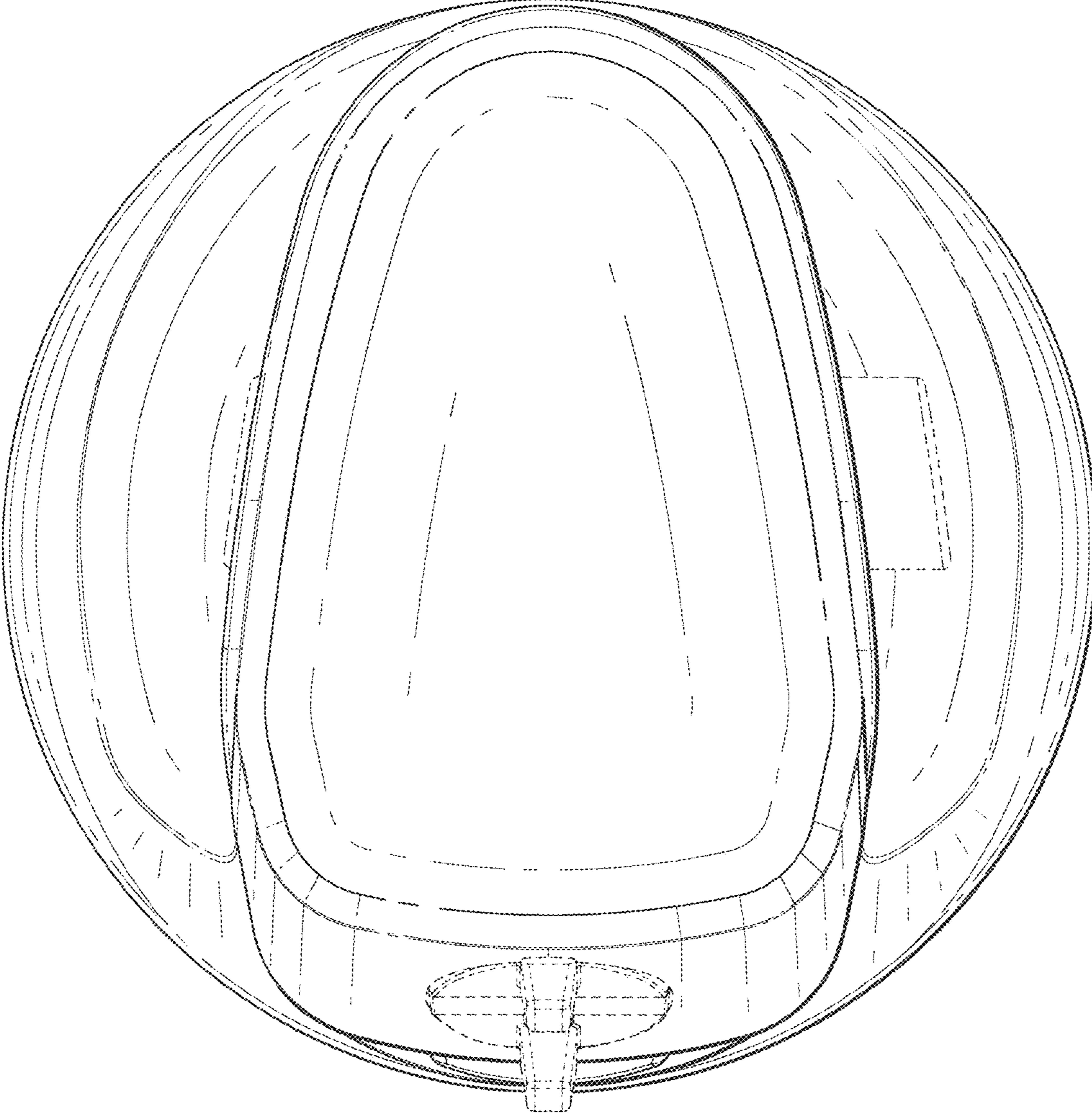
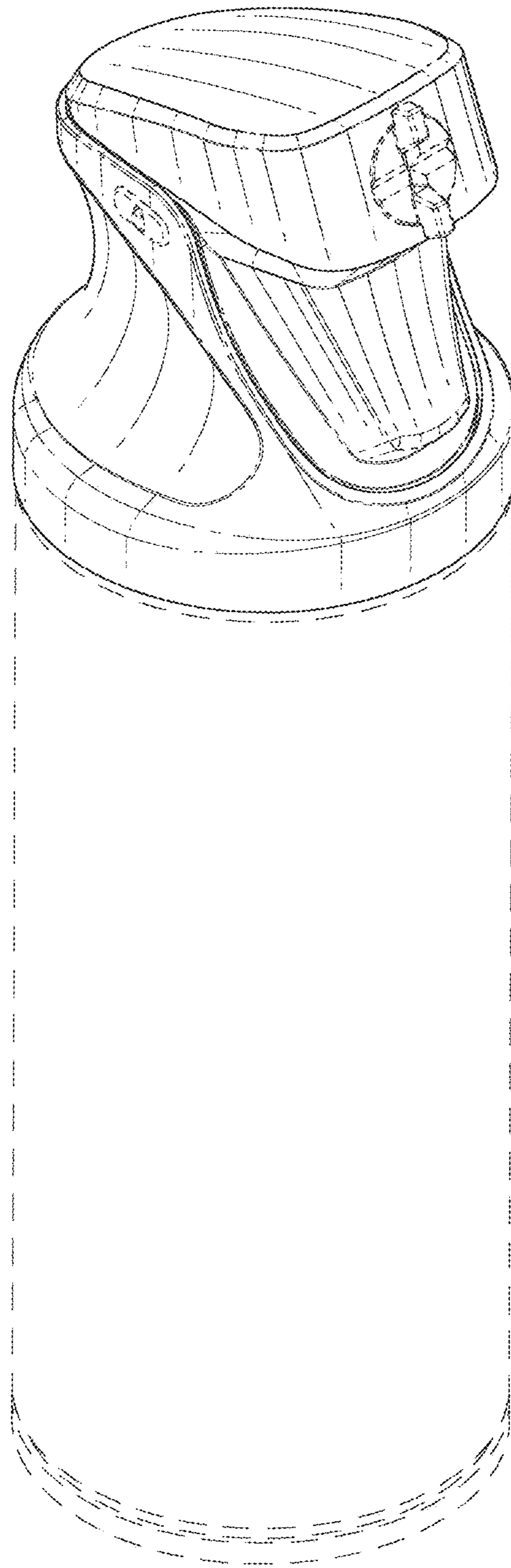


FIG. 7



*FIG. 8*