



US00D873661S

(12) **United States Design Patent** (10) **Patent No.:** **US D873,661 S**  
**DeRuntz et al.** (45) **Date of Patent:** **\*\* Jan. 28, 2020**

(54) **CONTAINER STOPPER**

(71) Applicant: **Coravin, Inc.**, Burlington, MA (US)

(72) Inventors: **Otto DeRuntz**, Dunstable, MA (US);  
**Michael Rider**, Lowell, MA (US)

(73) Assignee: **Coravin, Inc.**, Bedford, MA (US)

(\*\*) Term: **15 Years**

(21) Appl. No.: **29/662,075**

(22) Filed: **Aug. 31, 2018**

(51) **LOC (12) Cl.** ..... **09-07**

(52) **U.S. Cl.**  
USPC ..... **D9/439**; D9/446

(58) **Field of Classification Search**  
USPC ..... D9/428, 429, 432, 434, 435, 436, 439,  
D9/440, 443, 444, 445, 447, 449-455,  
D9/499, 500, 503, 504, 705, 446;  
D7/317, 387, 391, 392, 392.1, 393, 396.1,  
D7/396.2, 509-511, 538, 629, 900;  
D3/202, 203.2, 294, 302, 318; D28/91  
CPC .. A61J 1/00; A61J 1/1412; B65D 1/00; B65D  
1/02; B65D 1/10; B65D 1/46; B65D  
2585/56; B65D 2585/545; B65D 41/00;  
B65D 41/38; B65D 41/56; B65D 41/62;  
B65D 47/00; B65D 47/06; B65D 47/08;  
B65D 2543/00046; B65D 2543/00092;  
B65D 2543/00296; B65D 5/46; B65D  
2251/00

See application file for complete search history.

3,117,703 A \* 1/1964 Henchert ..... B65D 47/10  
222/546

3,160,327 A \* 12/1964 Porcelli ..... B65D 47/103  
D9/446

3,462,048 A \* 8/1969 Henchert ..... B65D 47/103  
D9/446

D263,117 S \* 2/1982 Mack ..... D9/446

4,448,316 A \* 5/1984 Hiroshige ..... B65D 77/283  
D9/446

D306,265 S \* 2/1990 Leebeek ..... D9/435

D355,853 S \* 2/1995 Schmitt ..... D9/446

D362,186 S \* 9/1995 Thanisch ..... D9/446

D404,646 S \* 1/1999 Black, Sr. .... D9/446

D437,782 S \* 2/2001 Haley ..... D9/440

D514,935 S \* 2/2006 Sturk ..... D9/449

D643,722 S \* 8/2011 Gorskey ..... D9/439

(Continued)

*Primary Examiner* — Michael A. Pratt  
*Assistant Examiner* — Wendy L Arminio  
(74) *Attorney, Agent, or Firm* — Wolf, Greenfield &  
Sacks, P.C.

(57) **CLAIM**

The ornamental design for a container stopper, as shown and described.

**DESCRIPTION**

FIG. 1 is a top, front, right side perspective view of a container stopper showing our new design;  
FIG. 2 is a front elevation view thereof;  
FIG. 3 is a rear elevation view thereof;  
FIG. 4 is a right side elevation view thereof;  
FIG. 5 is a left side elevation view thereof;  
FIG. 6 is a top plan view thereof; and,  
FIG. 7 is a bottom plan view thereof.

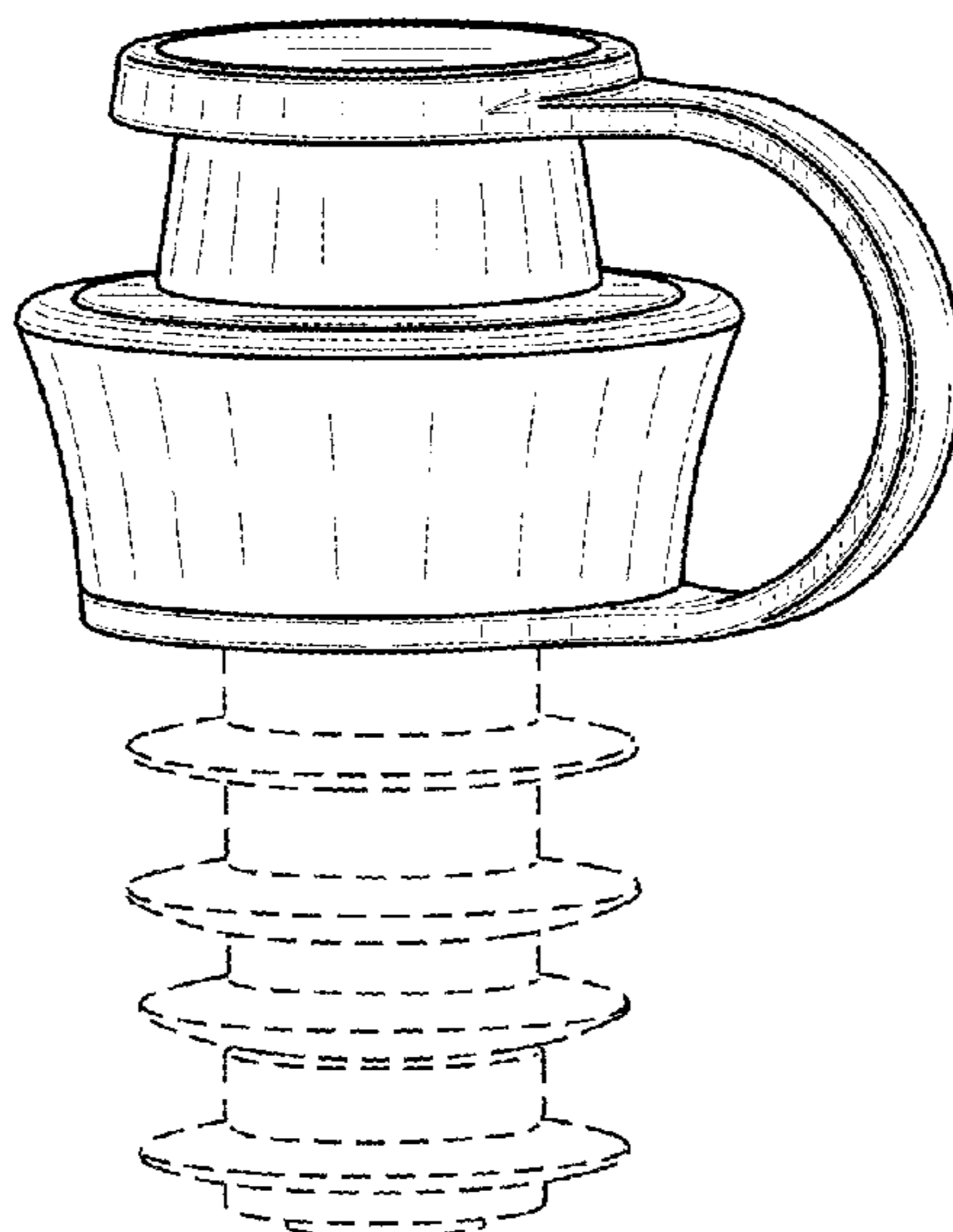
The dash-dash broken lines represent portions of the container stopper that form no part of the claimed design. The dot-dash broken lines define boundaries of the claimed design and form no part of the claimed design.

**1 Claim, 3 Drawing Sheets**

(56) **References Cited**

U.S. PATENT DOCUMENTS

D34,955 S \* 8/1901 Thatcher ..... D9/439  
D183,111 S \* 6/1958 Stull ..... D9/446  
D188,393 S \* 7/1960 Fagan ..... D9/446  
3,117,702 A \* 1/1964 Henchert ..... B65D 47/10  
D9/446



(56)

**References Cited**

U.S. PATENT DOCUMENTS

8,298,174 B2 \* 10/2012 Showers ..... A61J 7/0061  
215/211  
D678,767 S \* 3/2013 Haley ..... D9/446  
D682,097 S \* 5/2013 Chiorazzi ..... D9/439  
D729,063 S 5/2015 Koop et al.  
D750,490 S \* 3/2016 Moore ..... D9/446  
D763,079 S \* 8/2016 Sturk ..... D9/447  
D813,668 S \* 3/2018 Miller ..... D9/446  
D846,390 S \* 4/2019 Brelje ..... D9/446  
2005/0184026 A1 \* 8/2005 Haley ..... B65D 47/06  
215/306  
2014/0263453 A1 \* 9/2014 Haley ..... B65D 39/00  
222/152  
2019/0210859 A1 \* 7/2019 Lambrecht ..... B67D 1/0004

\* cited by examiner

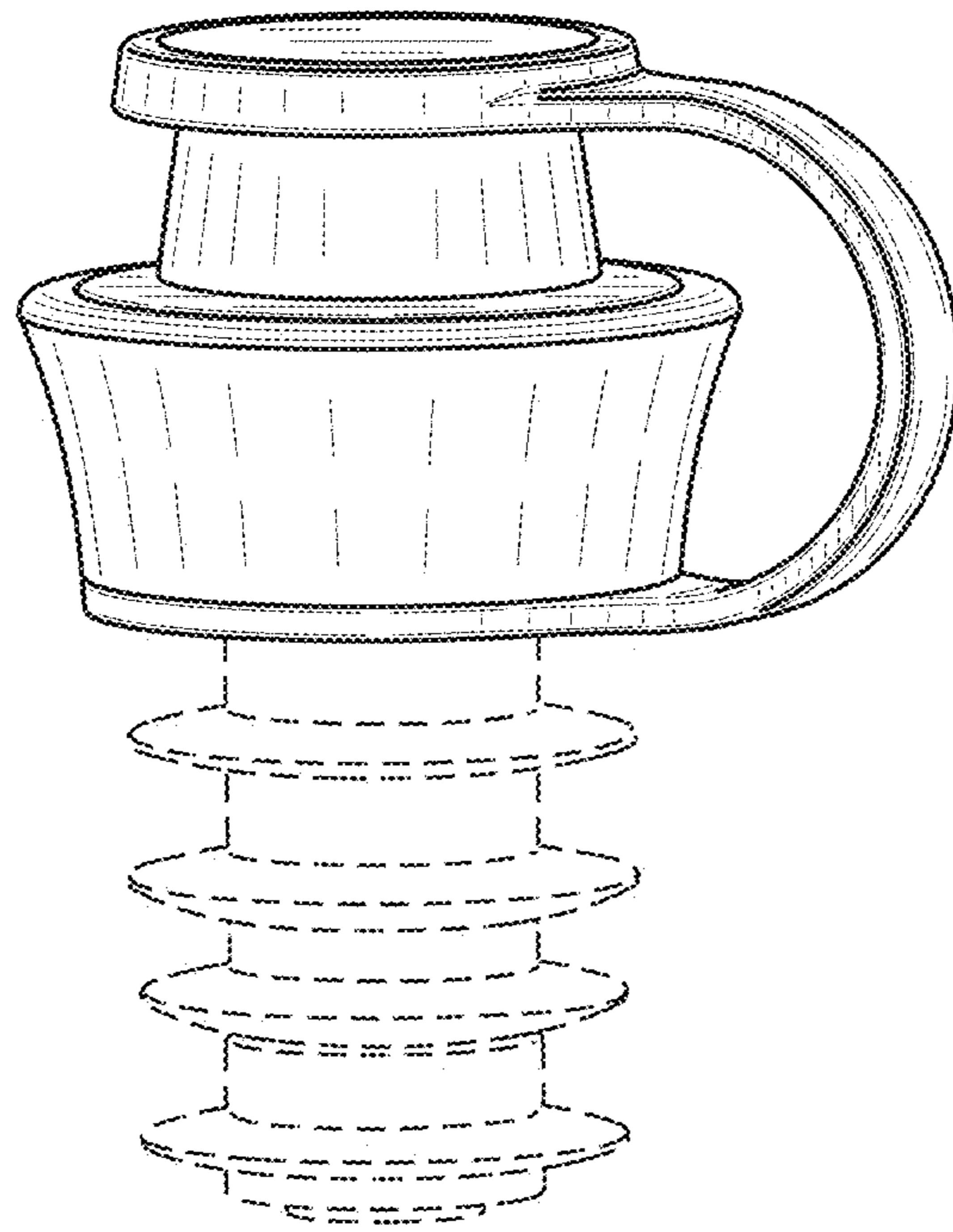


FIG. 1

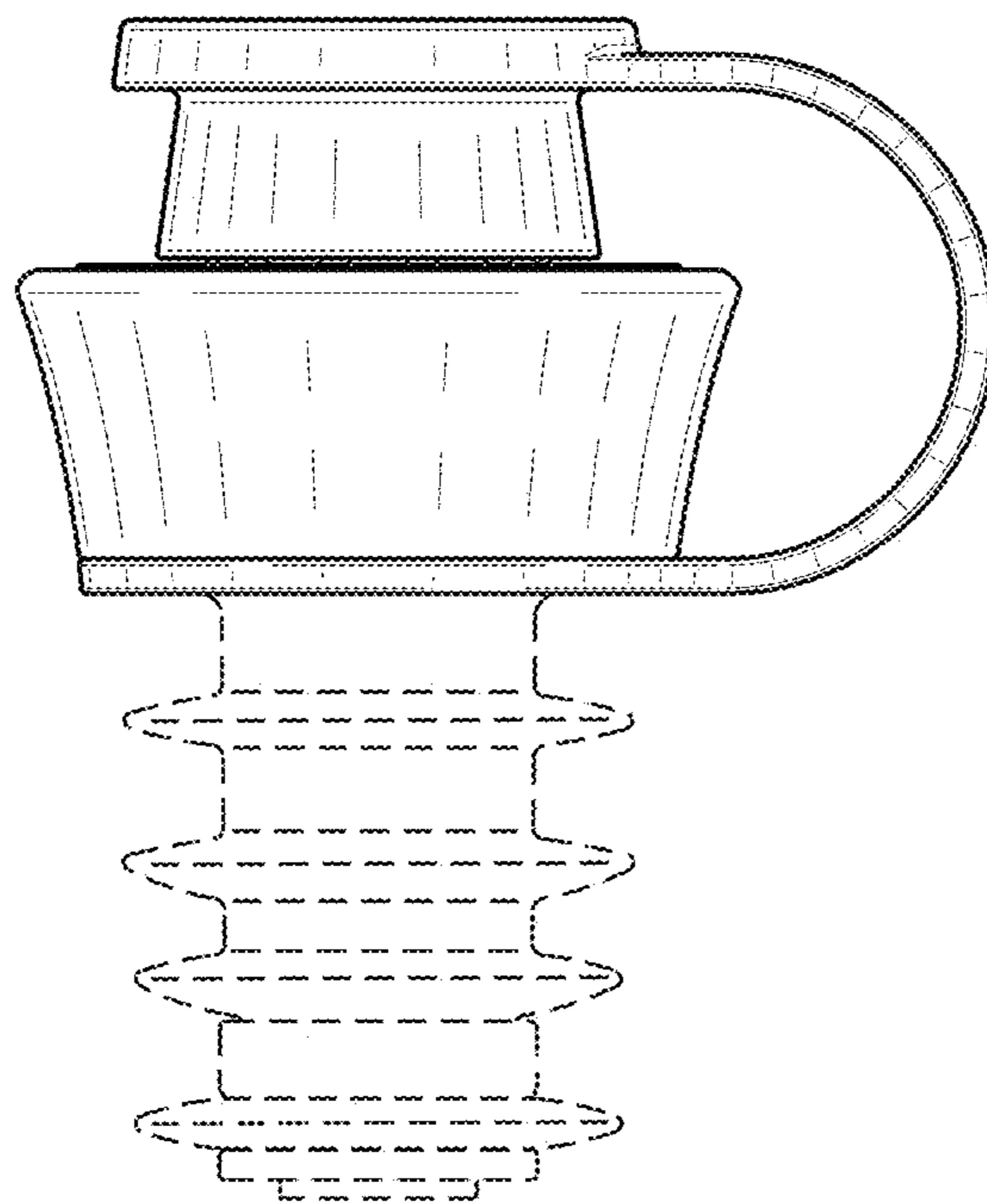


FIG. 2

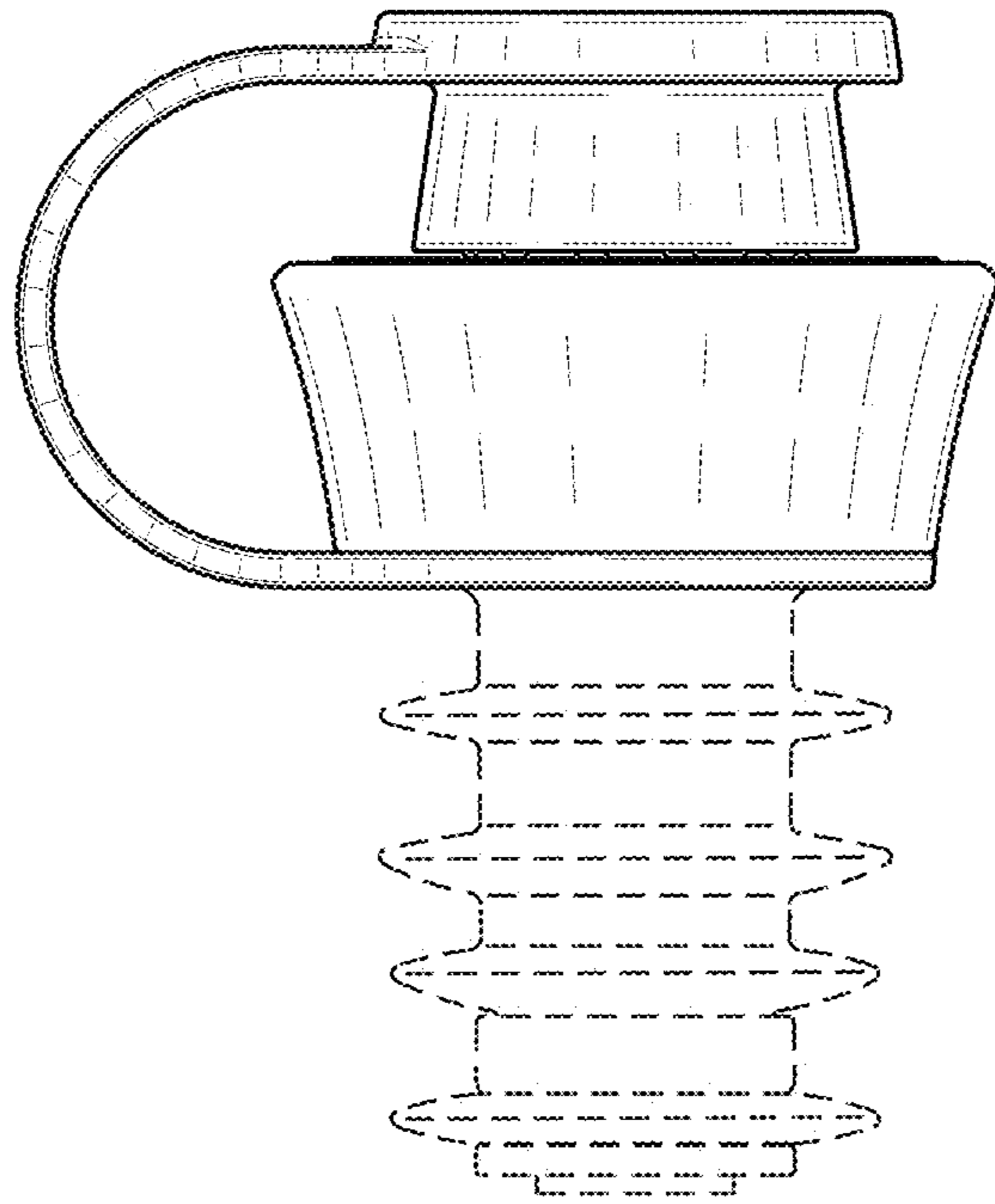


FIG. 3

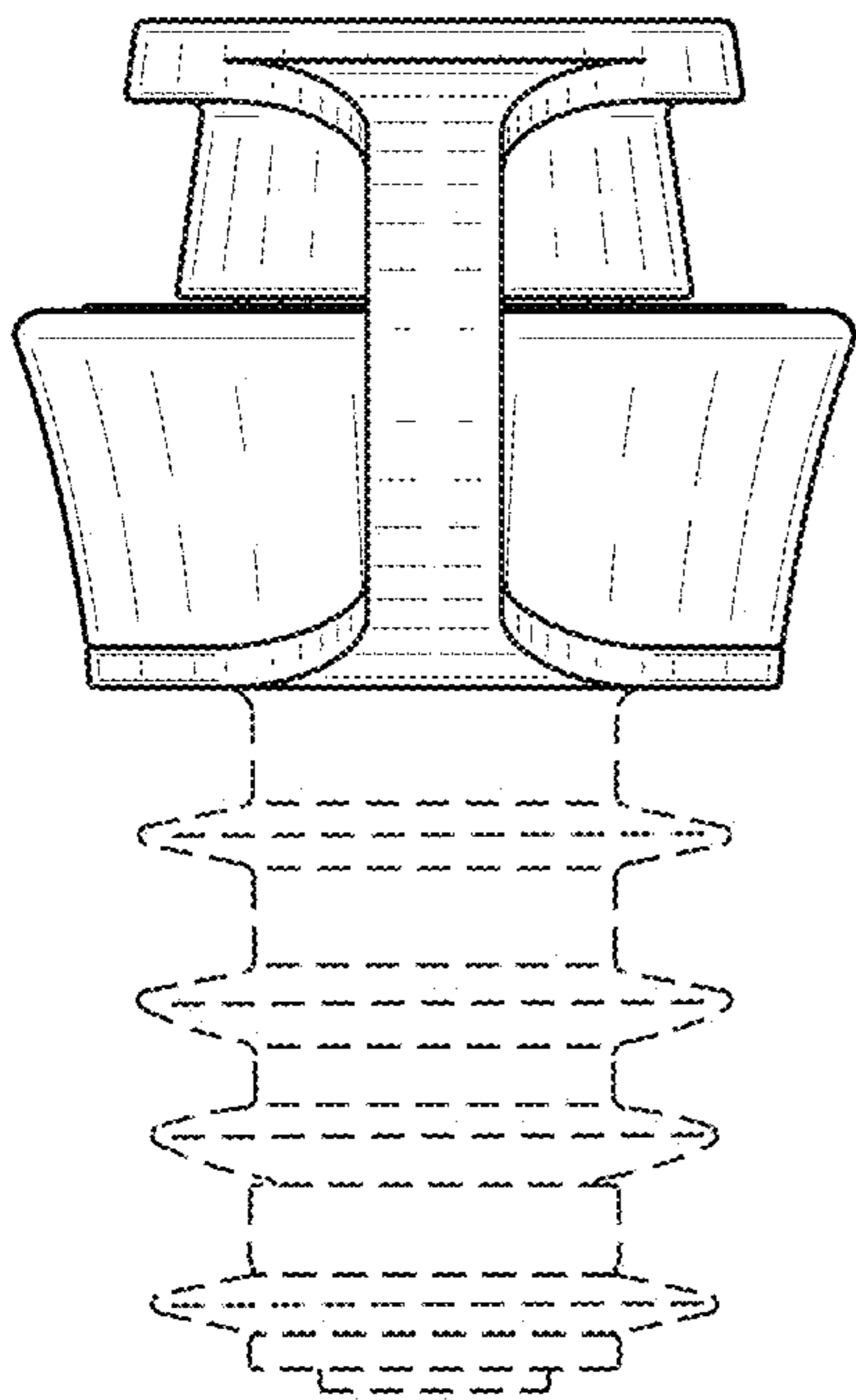


FIG. 4

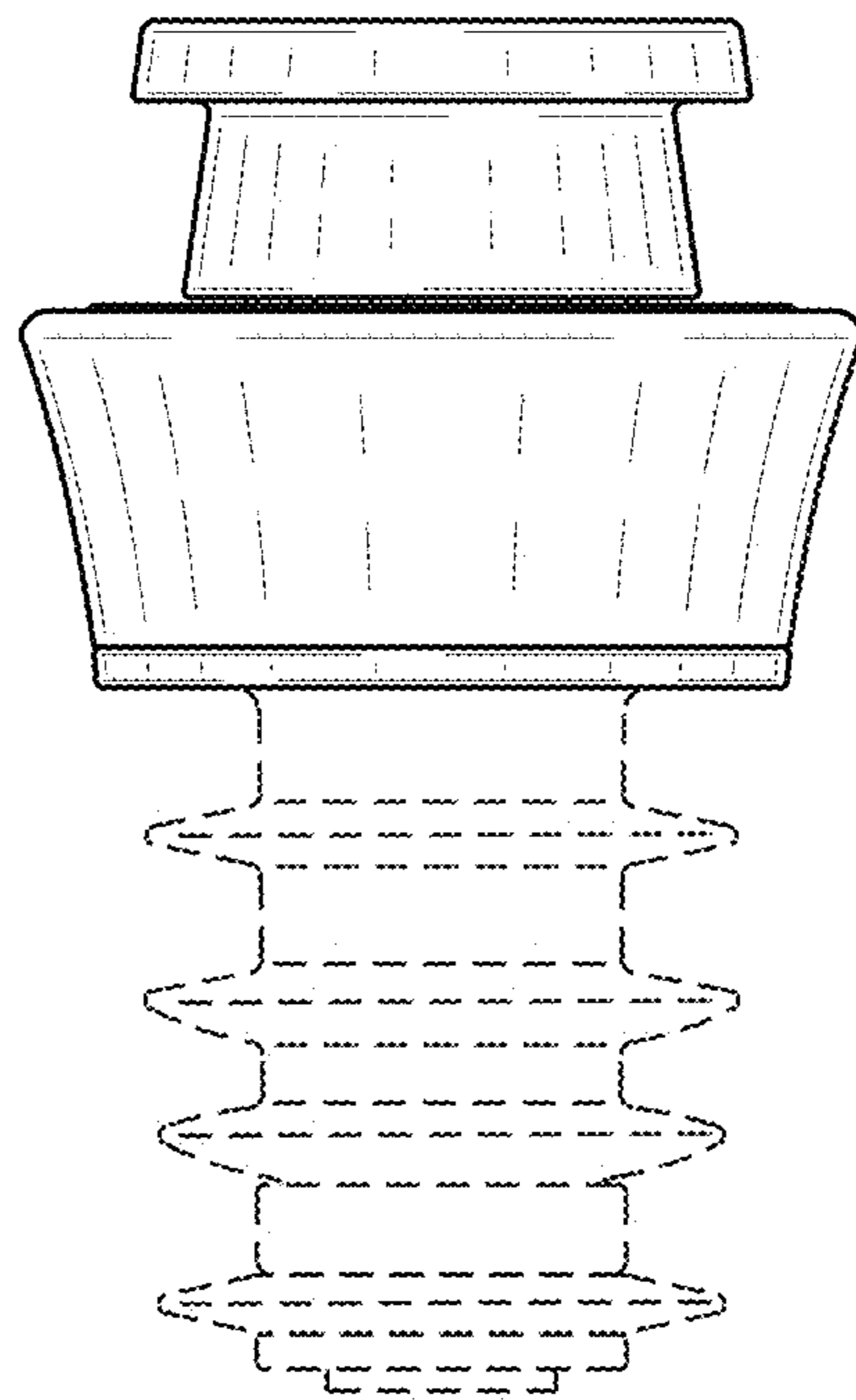


FIG. 5

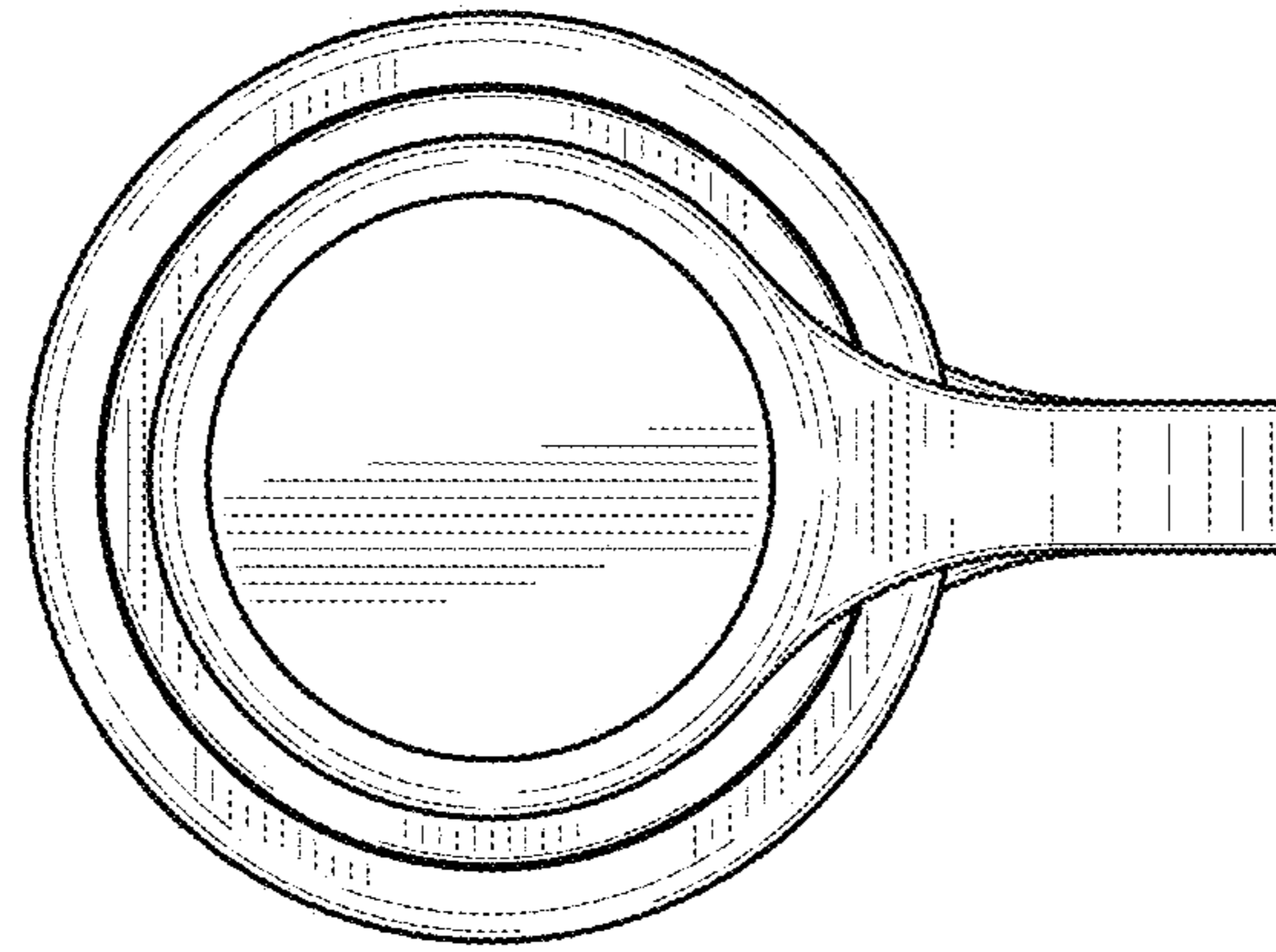


FIG. 6

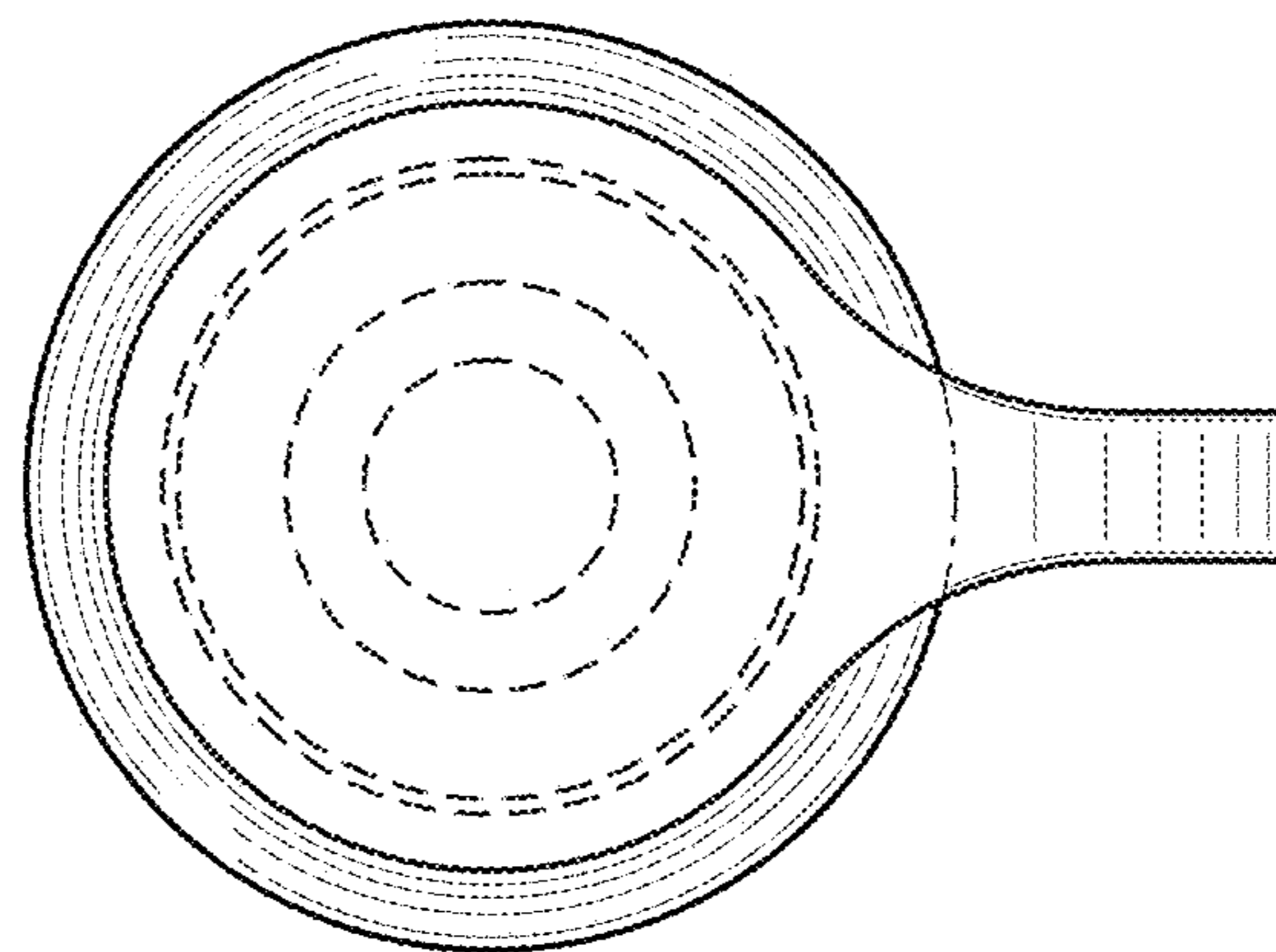


FIG. 7