



US00D873660S

(12) **United States Design Patent** (10) **Patent No.:** **US D873,660 S**
Akana et al. (45) **Date of Patent:** **** Jan. 28, 2020**

(54) **CASE**

(71) Applicant: **Apple Inc.**, Cupertino, CA (US)

(72) Inventors: **Jody Akana**, San Francisco, CA (US); **Bartley K. Andre**, Palo Alto, CA (US); **Shota Aoyagi**, San Francisco, CA (US); **Anthony Michael Ashcroft**, San Francisco, CA (US); **Jeremy Bataillou**, San Francisco, CA (US); **Daniel J. Coster**, San Francisco, CA (US); **Daniele De Iuliis**, San Francisco, CA (US); **M. Evans Hankey**, San Francisco, CA (US); **Julian Hoenig**, San Francisco, CA (US); **Richard P. Howarth**, San Francisco, CA (US); **Jonathan P. Ive**, San Francisco, CA (US); **Duncan Robert Kerr**, San Francisco, CA (US); **Matthew Dean Rohrbach**, San Francisco, CA (US); **Peter Russell-Clarke**, San Francisco, CA (US); **Benjamin Andrew Shaffer**, San Jose, CA (US); **Mikael Silvanto**, San Francisco, CA (US); **Christopher J. Stringer**, Woodside, CA (US); **Eugene Antony Whang**, San Francisco, CA (US); **Rico Zörkendörfer**, San Francisco, CA (US)

(73) Assignee: **Apple Inc.**, Cupertino, CA (US)

(**) Term: **15 Years**

(21) Appl. No.: **29/661,773**

(22) Filed: **Aug. 30, 2018**

Related U.S. Application Data

(63) Continuation of application No. 29/572,804, filed on Jul. 29, 2016, now Pat. No. Des. 827,432, which is a continuation of application No. 29/501,046, filed on Aug. 29, 2014, now Pat. No. Des. 763,104.

(51) **LOC (12) Cl.** **09-07**

(52) **U.S. Cl.**

USPC **D9/436**; D9/756; D3/313

(58) **Field of Classification Search**

USPC D9/341, 345, 347, 348, 414, 418, 424, D9/419, 430, 432, 456, 732, 737, 750, D9/756-760, 436; D7/701, 601, 703, D7/708; D3/201, 203.3, 263, 272-274, D3/304, 315, 318, 319, 901, 903, 905; D24/230, 227; D6/682, 682.2-682.4, D6/683, 683.1, 702, 703; 211/71.01, 211/88.01, 90.01, 126; 206/139, 292, 206/557, 558, 564-566

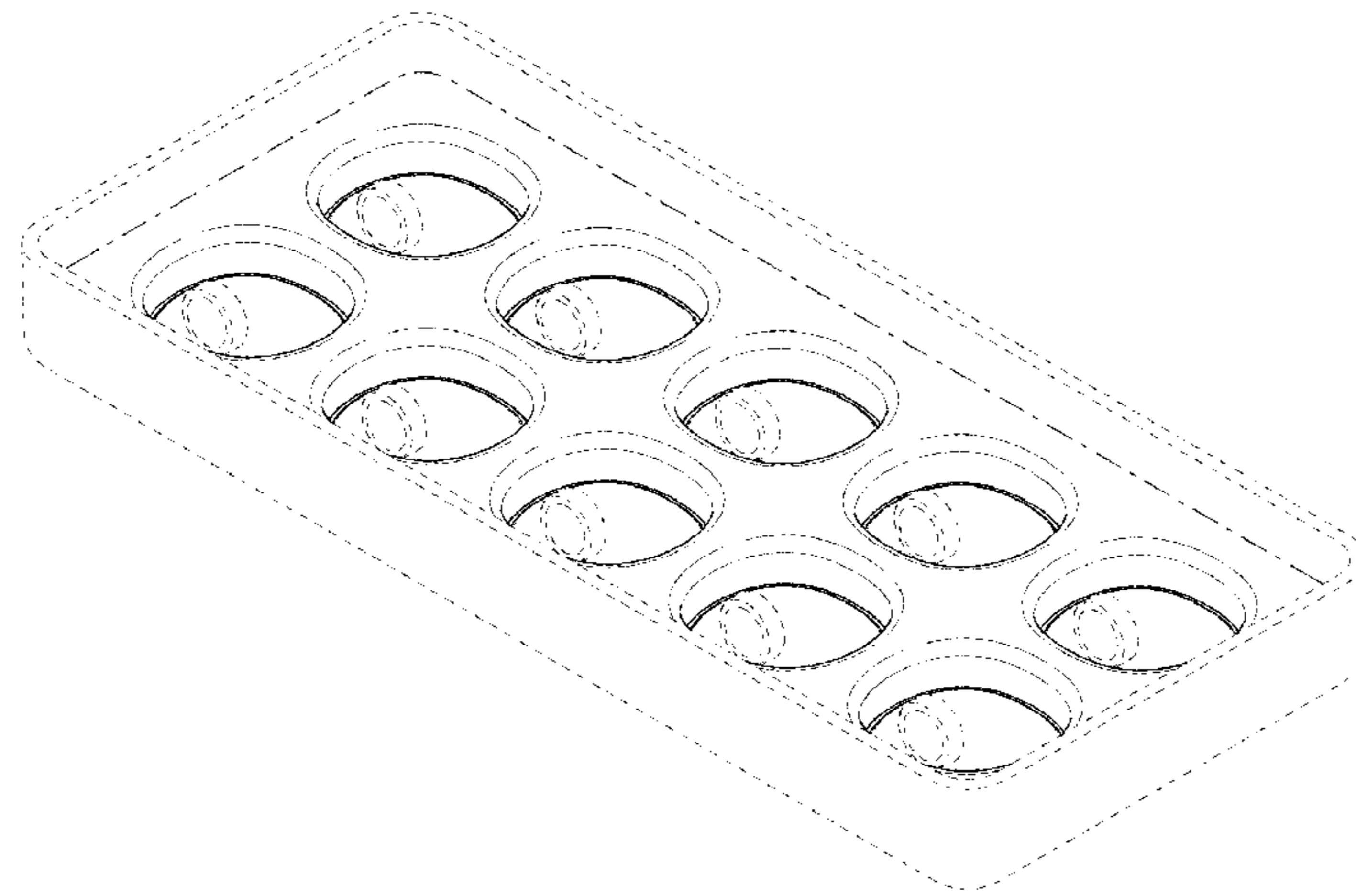
CPC A47B 88/20; A47B 88/00; A47B 88/04; A47B 2088/0403; B65D 2543/00194; B65D 2543/00361

See application file for complete search history.

(56) **References Cited**

U.S. PATENT DOCUMENTS

D43,795 S	4/1913	Bullock
2,161,629 A	6/1939	McCord
2,504,485 A	4/1950	Allen
D192,672 S	4/1962	Jenkins
3,211,290 A	10/1965	Strickling
D206,254 S	11/1966	Lopiano
D249,706 S	9/1978	Adamski
4,446,982 A	5/1984	Corse
D274,789 S	7/1984	Brown et al.
D274,885 S	7/1984	Joice et al.
D283,164 S	3/1986	Pandya
4,789,601 A	12/1988	Banes
4,822,741 A	4/1989	Banes
D307,997 S	5/1990	Bernstein
D323,447 S	1/1992	Booz
D332,834 S	1/1993	Hanna et al.
5,207,150 A	5/1993	Wellman et al.
5,611,426 A	3/1997	Warfield
D389,408 S	1/1998	Rask et al.
D411,308 S	6/1999	Pandey et al.
D416,405 S	11/1999	Thoesen
6,036,019 A	3/2000	Silverman
D510,210 S	10/2005	Au
D513,569 S	1/2006	Au
D514,848 S	2/2006	Au
D518,737 S	4/2006	Zalza
D522,376 S	6/2006	Hales
D543,055 S	5/2007	Au



D566,851 S	4/2008	Hawker et al.	
D590,183 S	4/2009	Hensel	
D596,758 S	7/2009	Constable	
D599,241 S	9/2009	Andre et al.	
D612,094 S	3/2010	Bellamah et al.	
D643,844 S	8/2011	Akana et al.	
D661,950 S	6/2012	Greenwood	
D662,939 S	7/2012	Andre et al.	
D673,795 S	1/2013	Murrah	
D684,276 S	6/2013	Boguszewski et al.	
D686,491 S	7/2013	Kuo et al.	
D695,078 S	12/2013	Hertaus	
D695,134 S	12/2013	Priebe et al.	
D703,004 S	4/2014	Tsai	
D705,618 S	5/2014	Reid	
D708,760 S	7/2014	Smeja	
D708,763 S	7/2014	Smeja	
D709,323 S	7/2014	Brown	
D709,718 S	7/2014	Snyder	
D713,051 S	9/2014	Smeja	
D714,958 S	10/2014	Smeja	
8,926,031 B2	1/2015	Belton	
D722,870 S	2/2015	Folmer et al.	
D723,312 S	3/2015	Vinci	
D724,388 S	3/2015	Smeja	
D734,867 S	7/2015	Smeja	
D735,131 S	7/2015	Akana et al.	
D736,403 S	8/2015	Hudson et al.	
D739,680 S	9/2015	Smeja	
D741,726 S	10/2015	Akana et al.	
D742,666 S	11/2015	Akana et al.	
D744,356 S	12/2015	Akana et al.	
D744,994 S	12/2015	Akana et al.	
D746,671 S	1/2016	Folmer et al.	
D753,424 S	4/2016	Peltosaari	
D753,942 S	4/2016	Akana et al.	
D756,824 S	5/2016	Akana et al.	
D759,011 S	6/2016	Akana et al.	
D759,725 S	6/2016	Akana et al.	
D763,104 S	8/2016	Akana et al.	
D764,910 S	8/2016	Akana et al.	
D766,630 S	9/2016	Akana et al.	
D766,631 S	9/2016	Akana et al.	
D766,632 S	9/2016	Akana et al.	
D766,633 S	9/2016	Akana et al.	
D766,752 S	9/2016	Akana et al.	
D767,309 S	9/2016	Akana et al.	
D771,035 S	11/2016	Akana et al.	
D774,369 S	12/2016	Harris	
D777,163 S	1/2017	Akana et al.	
D779,340 S	2/2017	Liu et al.	
D781,853 S	3/2017	Akana et al.	
D782,537 S	3/2017	Akana et al.	
D820,623 S *	6/2018	Akana	D6/682.4
D820,690 S *	6/2018	Canuto	D9/757
D825,775 S *	8/2018	Muller	D24/230
D826,425 S *	8/2018	Muller	D24/230
D826,426 S *	8/2018	Muller	D24/230
D827,432 S	9/2018	Akana et al.	
D833,829 S *	11/2018	Hertaus	D7/600.1
D840,053 S *	2/2019	Kamees	D24/230
D843,014 S *	3/2019	Johns	D24/227
D843,595 S *	3/2019	Harmon	D24/230
D844,806 S *	4/2019	Johns	D24/227
D846,922 S *	4/2019	Akana	D6/682.4
2005/0265129 A1	12/2005	Agnoff	
2012/0313496 A1	12/2012	Marshall et al.	
2015/0102035 A1	4/2015	Tuan	
2016/0009473 A1	1/2016	Korinek et al.	
2017/0046451 A1	2/2017	Akana et al.	

OTHER PUBLICATIONS

“Apple, the watch company: Here’s what it’s like to try them on in-store”, (via Ars Technica), available Apr. 10, 2015, [online], [site

visited Mar. 20, 2017]. Available from internet, <URL: <https://arstechnica.com/apple/2015/04/trying-on-some-apple-watches-and-getting-the-cushy-edition-treatment/>.

“You can now get your hands on the Apple Watch and try it on—two weeks before release”, (via Tech Guide), available Apr. 10, 2015, [online], [site visited Mar. 20, 2017]. Available from internet, <URL: <http://www.techguide.com.au/news/you-can-now-get-your-hands-on-the-apple-watch-and-try-it-on-two-weeks-before-release/#>.

“Apple Watch Available In Stores On Friday, But Not From Apple”, (via next powerup), available Apr. 23, 2015, [online], [site visited Mar. 20, 2017]. Available from internet, <URL: <http://www.nextpowerup.com/news/20512/apple-watch-available-in-stores-friday-but-not-from-apple/>.

Magazine Le Photographe, Oct. 2005, p. 75, JPO HB17011518, France.

Apple Watch portable fitting tray, (via wearables), available Apr. 10, 2015. [online]. [site visited Mar. 14, 2016]. Available from internet. <URL: <http://www.wearables.com/apple-watch-in-store-preview/>.

Apple Watch drawer (via CNET), available Apr. 10, 2015, [online], [site visited 3/14/2016]. Available from internet <URL: <http://www.cnet.com/pictures/inside-the-apple-watch-launches-around-the-world-pictures/21/>.

Watch Display Tray, available Jan. 19, 2013, [online]. [site visited Mar. 14, 2016]. Available from internet, <URL: <https://www.liveauctioneers.com/item/15189230-set-of-suede-rolex-dealer-watch-display-trays>.

Secure Watch Storage, available Dec. 11, 2008, [online], [site visited Mar. 14, 2016]. Available from internet, <URL: <http://forums.watchuseek.com/f2/secure-watch-storage-watch-winder-safe-212123.html>.

Watch Box (via Orient Crown), available Mar. 14, 2016, [online], [site visited Mar. 14, 2016]. Available from internet, <URL: <http://orient-crown.myshopify.com/collections/watch-box/products/watch-box-ocw-1030>.

* cited by examiner

Primary Examiner — W. A. Teddy Falloway
(74) *Attorney, Agent, or Firm* — Sterne, Kessler, Goldstein & Fox P.L.L.C.

(57) **CLAIM**

The ornamental design for a case, as shown and described.

DESCRIPTION

FIG. 1 is a top front perspective view of a case showing the claimed design;

FIG. 2 is a front view thereof;

FIG. 3 is a rear view thereof;

FIG. 4 is a left side view thereof;

FIG. 5 is a right side view thereof;

FIG. 6 is a top view thereof;

FIG. 7 is a bottom view thereof; and,

FIG. 8 is a top view thereof showing the case in an environment in which it may be used.

The broken lines in the figures show portions of the case or environment that form no part of the claimed design.

The dot-dash lines show unclaimed boundaries that form no part of the claimed design.

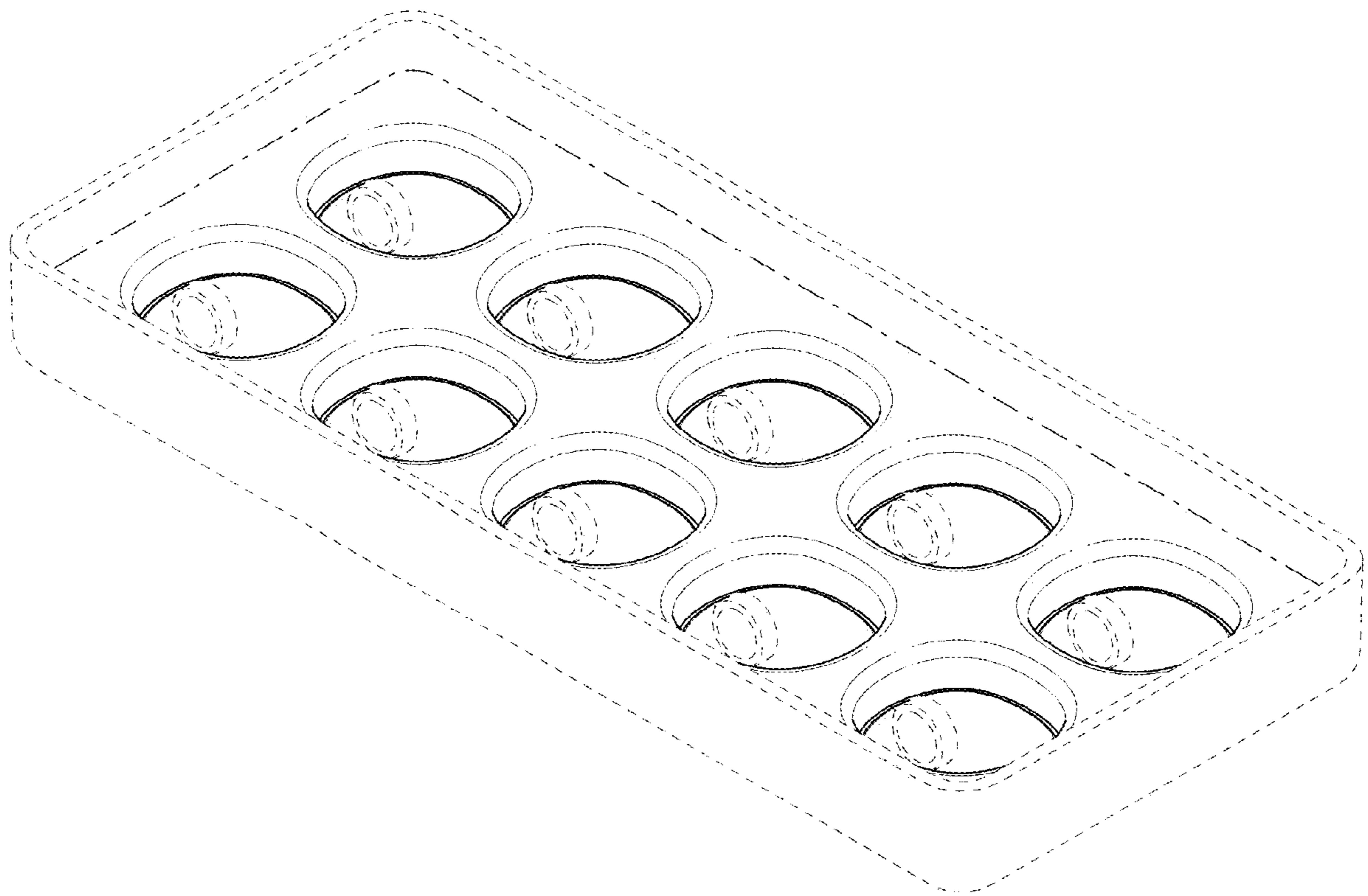


FIG. 1



FIG. 2



FIG. 3



FIG. 4



FIG. 5

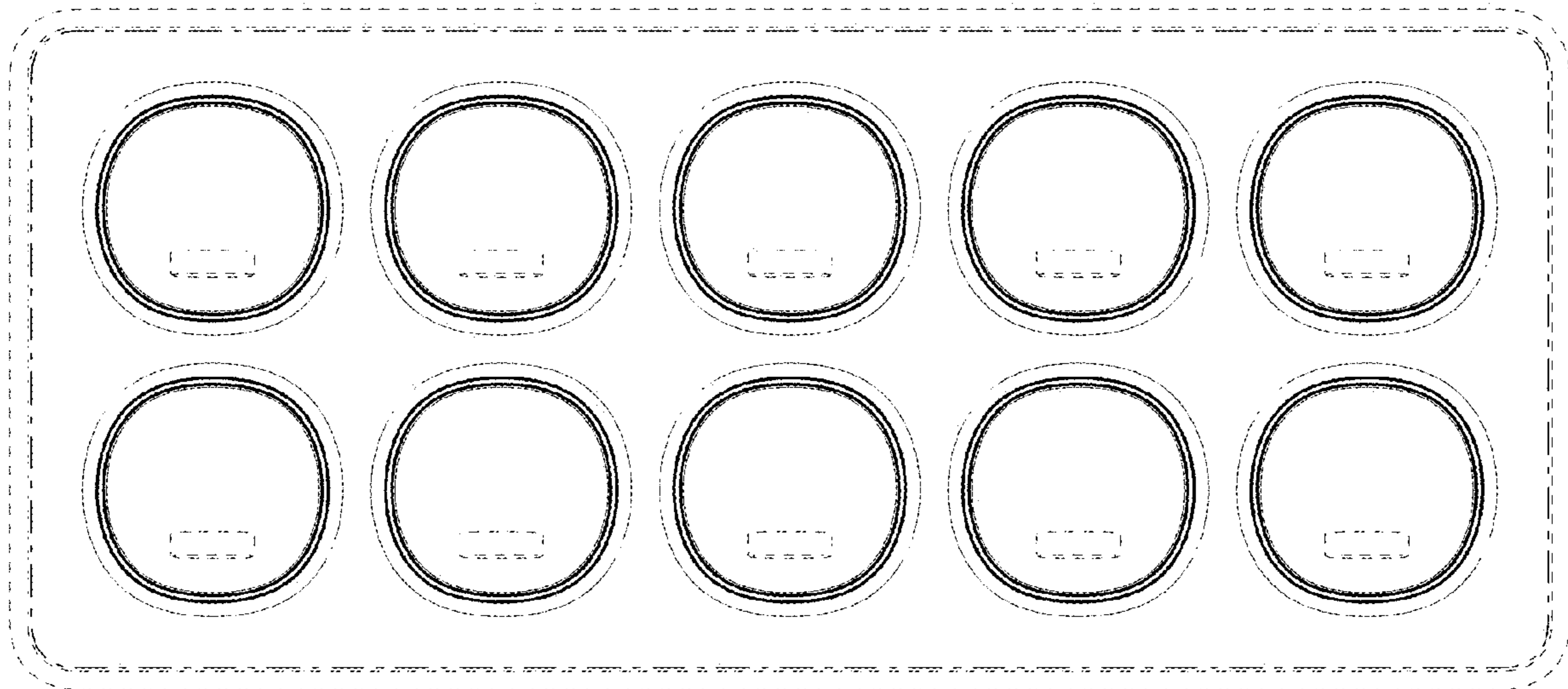


FIG. 6



FIG. 7

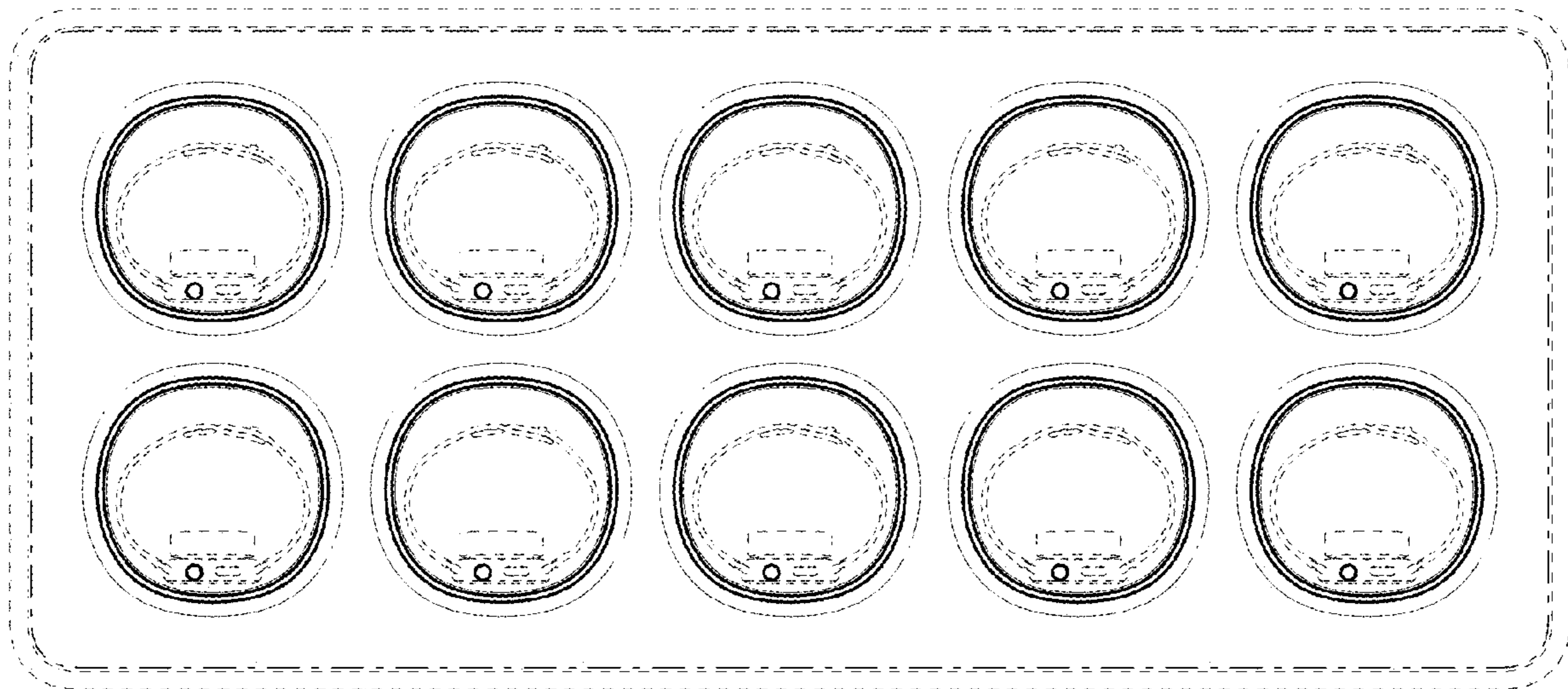


FIG. 8