



US00D873659S

(12) **United States Design Patent**
Vegliante

(10) **Patent No.:** **US D873,659 S**
(45) **Date of Patent:** **** Jan. 28, 2020**

(54) **FORTY-FIVE DEGREE CONTAINER WITH
NON-WOVEN STOCK CUTTER**

(71) Applicant: **Paul Vegliante**, Franklin Lakes, NJ
(US)

(72) Inventor: **Paul Vegliante**, Franklin Lakes, NJ
(US)

(**) Term: **15 Years**

(21) Appl. No.: **29/656,548**

(22) Filed: **Jul. 13, 2018**

Related U.S. Application Data

(63) Continuation-in-part of application No. 15/832,989,
filed on Dec. 6, 2017.

(51) **LOC (12) Cl.** **09-03**

(52) **U.S. Cl.**
USPC **D9/432**

(58) **Field of Classification Search**

USPC D6/518; D3/290, 304, 305, 315;
D9/414-419, 420-423, 430-434, 457,
D9/711, 713, 720-722, 733, 734, 737,
D9/761; 83/614

CPC B65D 5/00; B65D 5/0015; B65D 5/061;
B65D 5/18; B65D 5/20; B65D 5/32;
B65D 5/321; B65D 5/322

See application file for complete search history.

(56) **References Cited**

U.S. PATENT DOCUMENTS

D700,837 S * 3/2014 Antal, Sr. D9/419
D727,170 S * 4/2015 Lokey D9/415
D728,258 S * 5/2015 Cohen D6/518

D815,522 S * 4/2018 Vegliante D9/432
2005/0005755 A1* 1/2005 Turvey B26D 1/04
83/614

2018/0141743 A1* 5/2018 Vegliante B65D 5/16
(Continued)

Primary Examiner — Wan Laymon

Assistant Examiner — Mark Booker

(74) *Attorney, Agent, or Firm* — McCarter & English,
LLP

(57) **CLAIM**

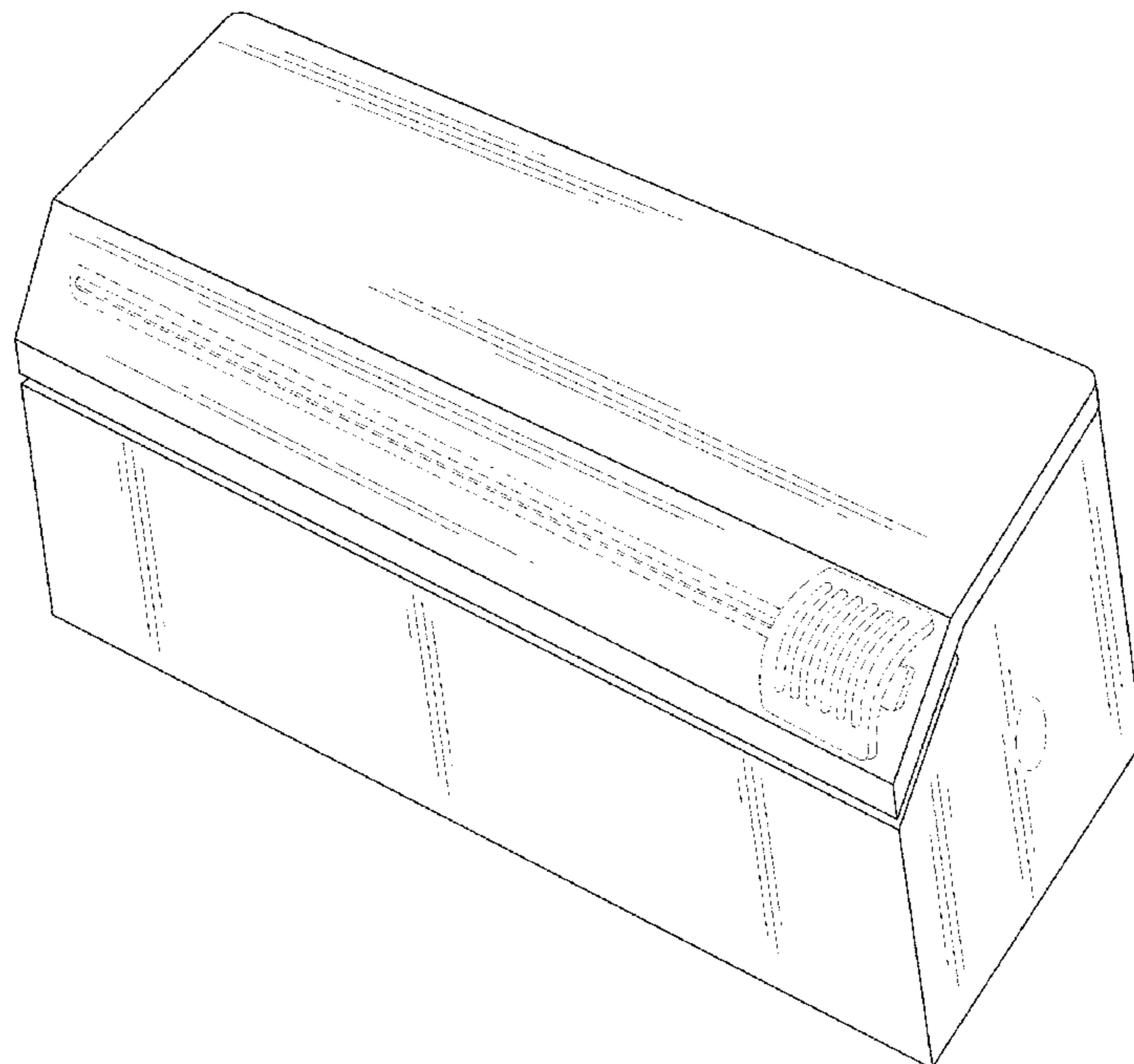
The ornamental design for a forty-five degree container with
non-woven stock cutter, as shown and described.

DESCRIPTION

FIG. 1 is a perspective view of a forty-five degree container
with non-woven stock cutter showing my new design;
FIG. 2 is a right side view of the container shown in FIG. 1;
FIG. 3 is a left side view of the container shown in FIG. 1;
FIG. 4 is a front view of the container shown in FIG. 1;
FIG. 5 is a rear view of the container shown in FIG. 1;
FIG. 6 is a top view of the container shown in FIG. 1;
FIG. 7 is a bottom view of the container shown in FIG. 1;
FIG. 8 is a perspective view of another forty-five degree
container with non-woven stock cutter showing my new
design;

FIG. 9 is a right side view of the container shown in FIG. 8;
FIG. 10 is a left side view of the container shown in FIG. 8;
FIG. 11 is a front view of the container shown in FIG. 8;
FIG. 12 is a rear view of the container shown in FIG. 8;
FIG. 13 is a top view of the container shown in FIG. 8; and,
FIG. 14 is a bottom view of the container shown in FIG. 8.
The broken lines shown in the drawings are included for the
purpose of illustrating environment and form no part of the
claimed design.

1 Claim, 12 Drawing Sheets



(56)

References Cited

U.S. PATENT DOCUMENTS

2019/0167047 A1* 6/2019 Vegliante A47K 10/3631
2019/0168985 A1* 6/2019 Vegliante B65H 35/0086

* cited by examiner

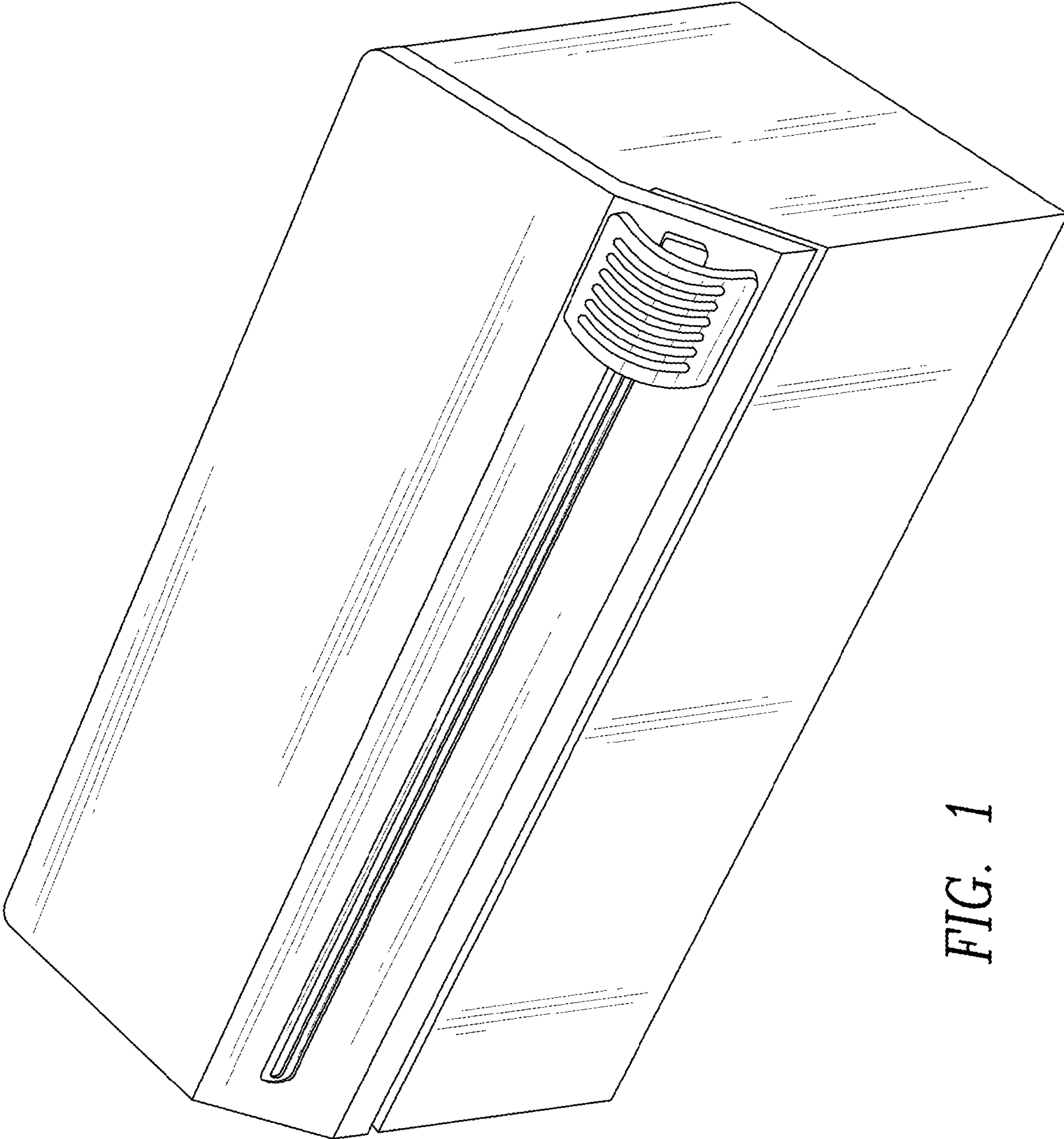


FIG. 1

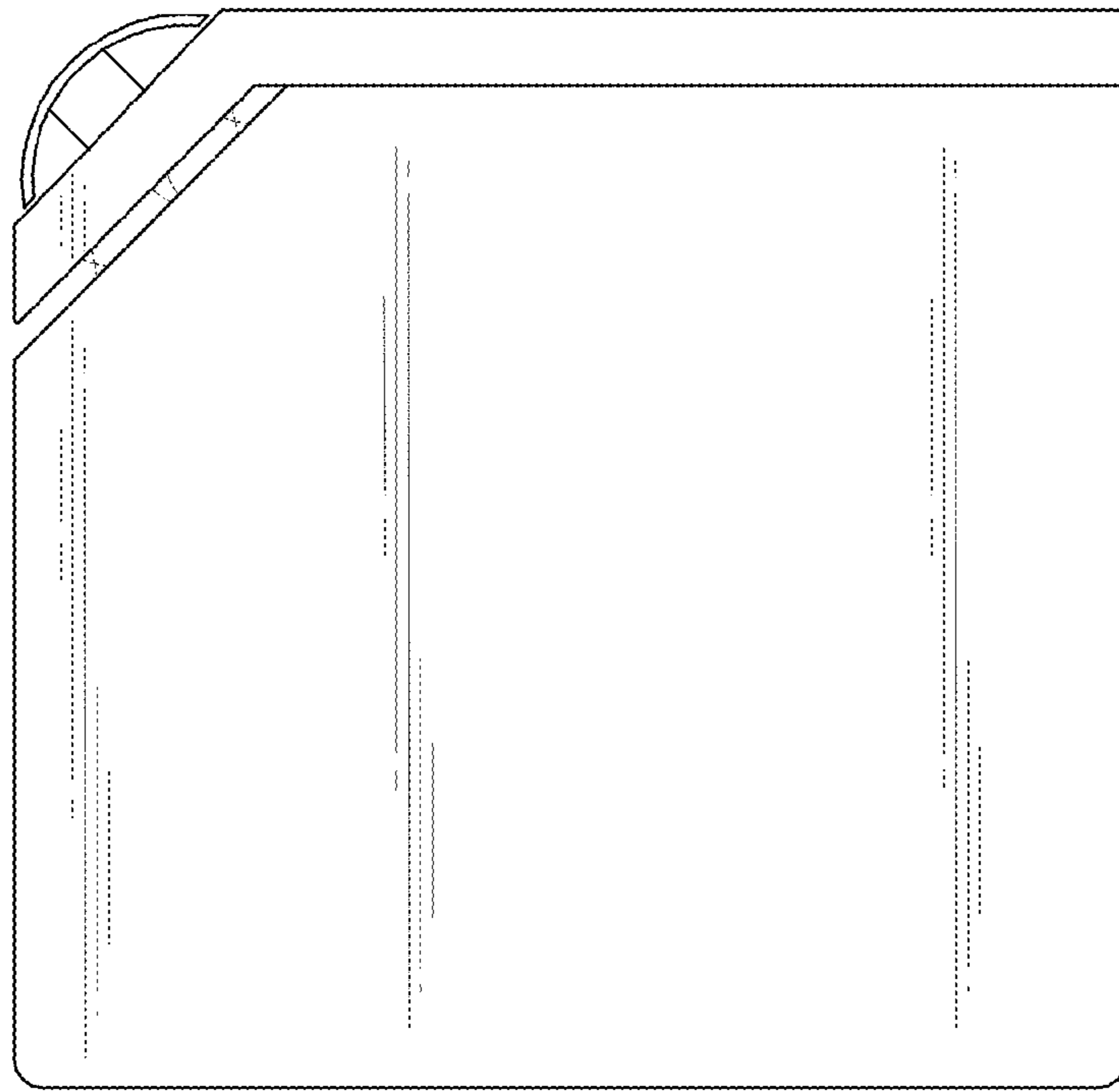


FIG. 2

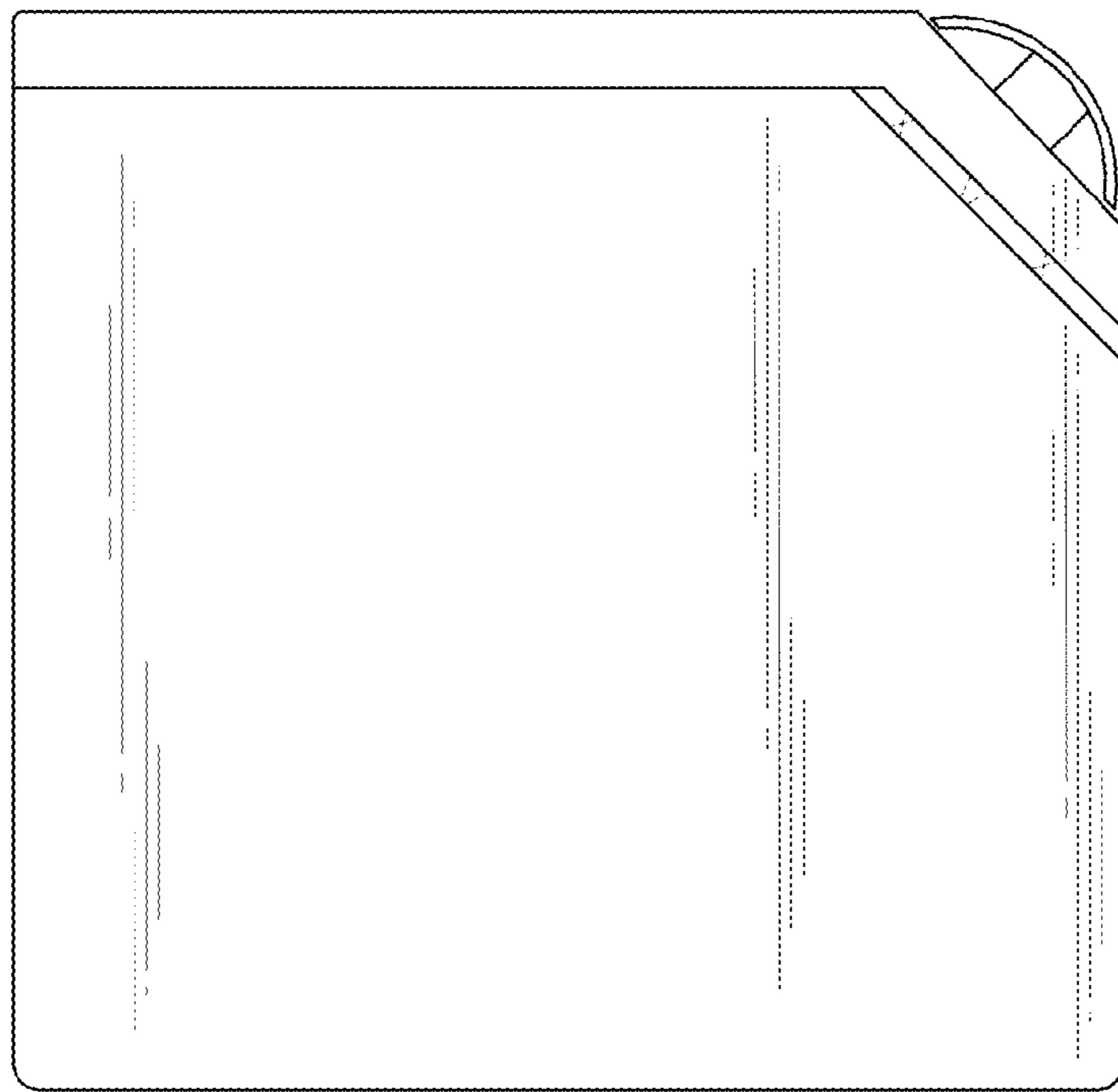


FIG. 3

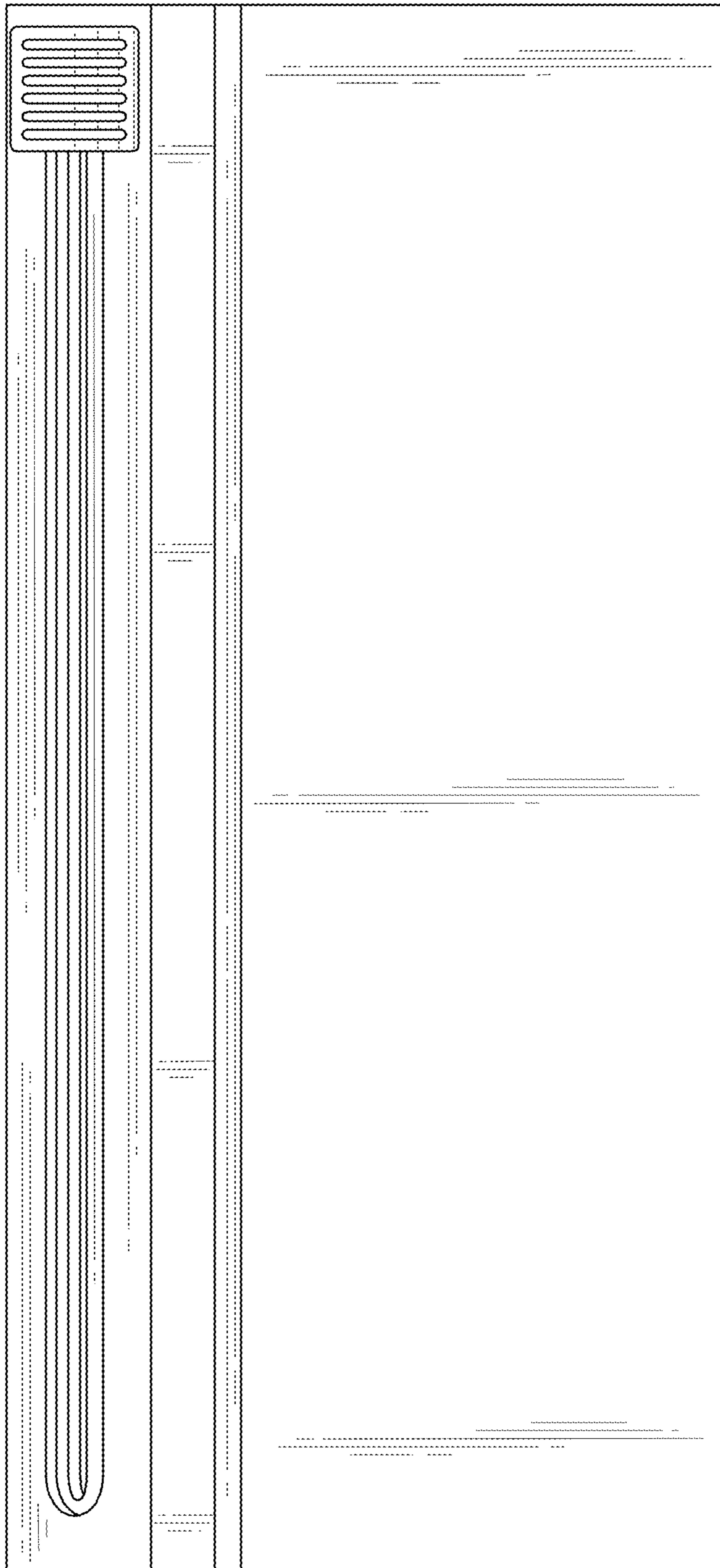


FIG. 4

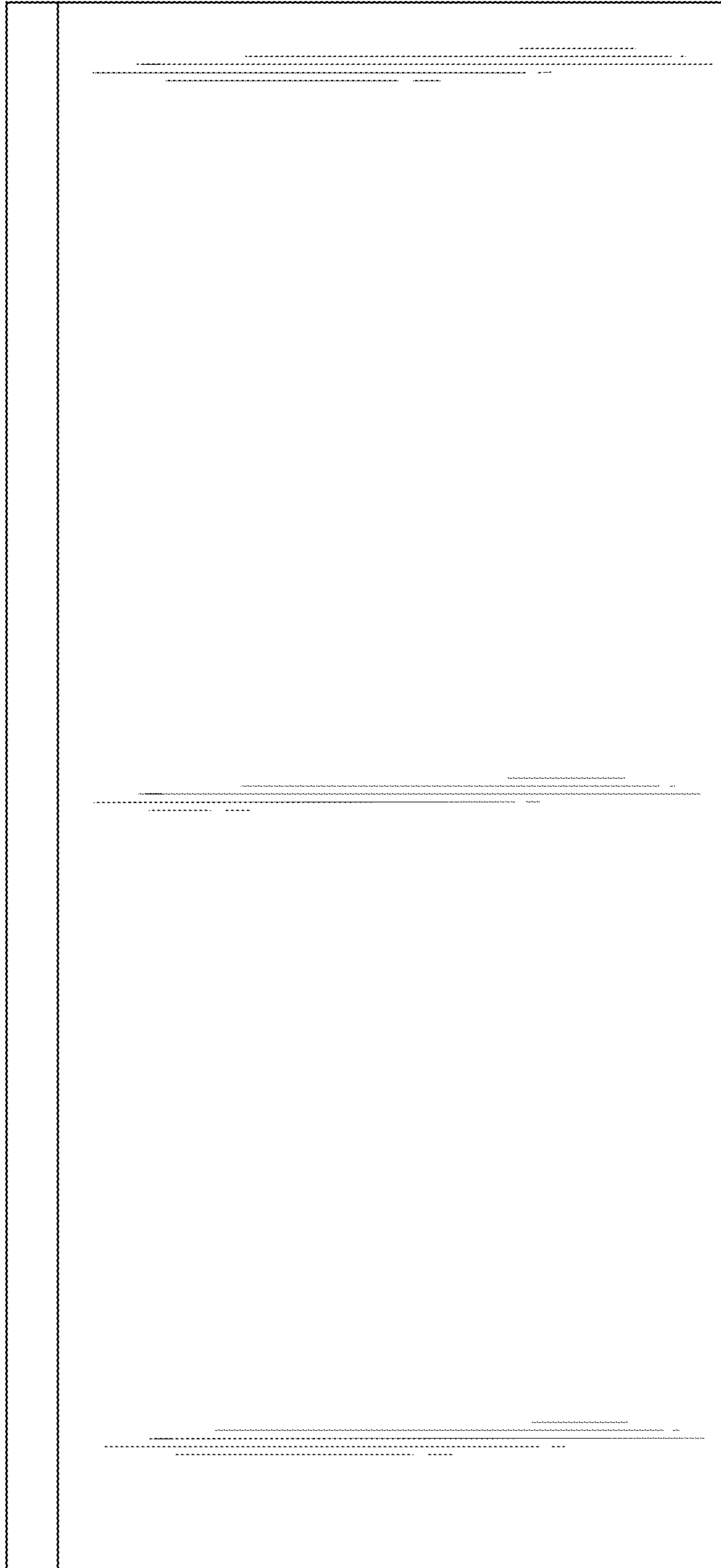


FIG. 5

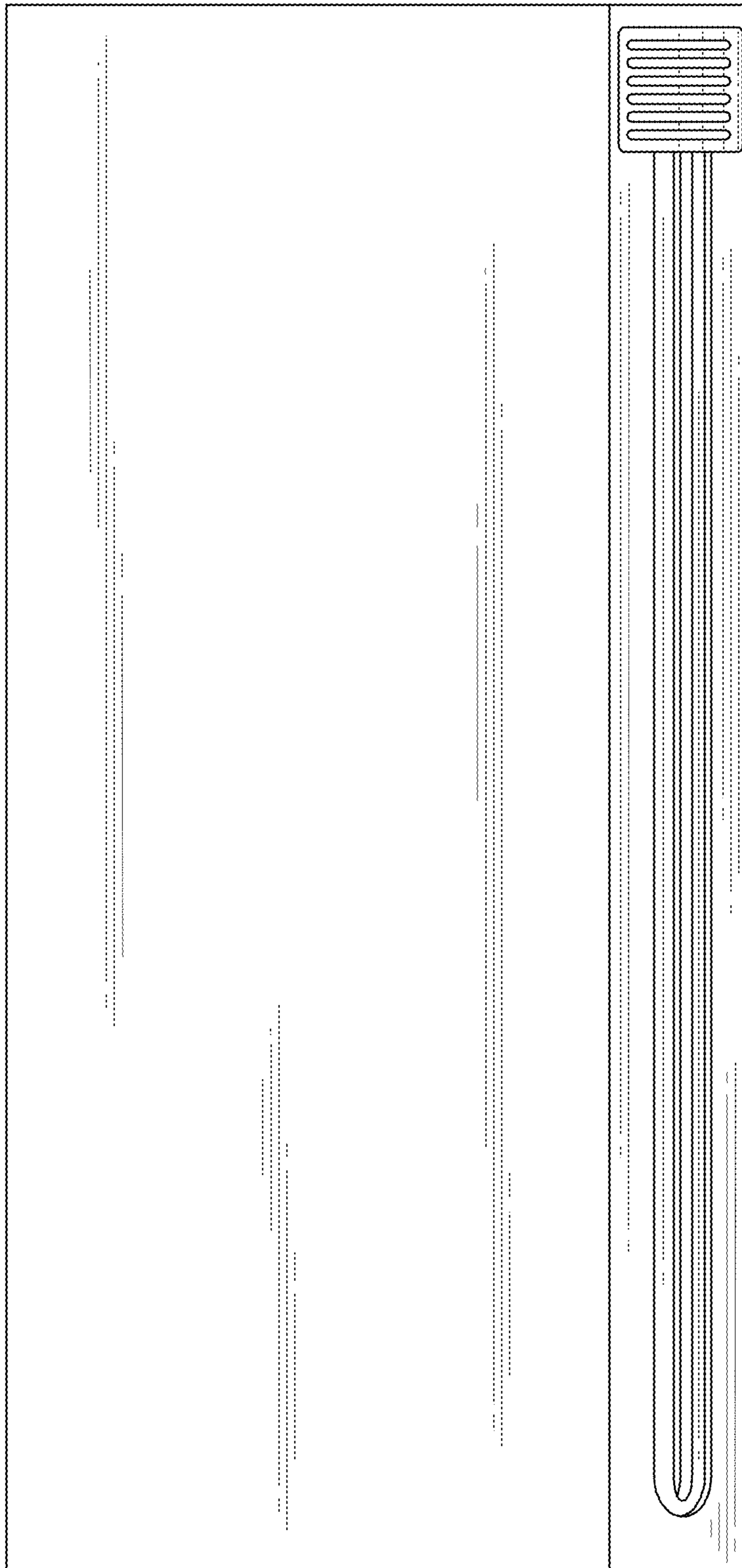


FIG. 6

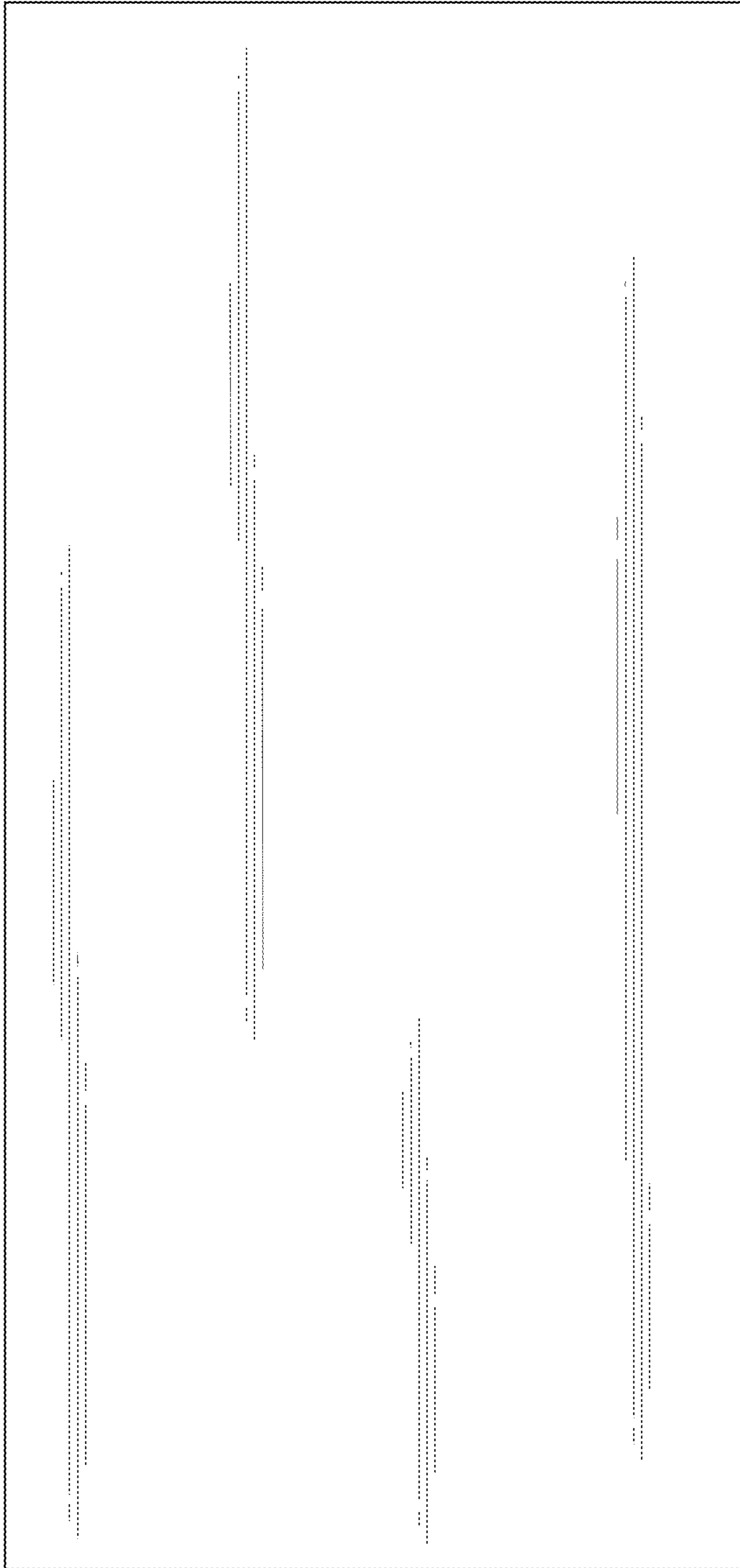


FIG. 7

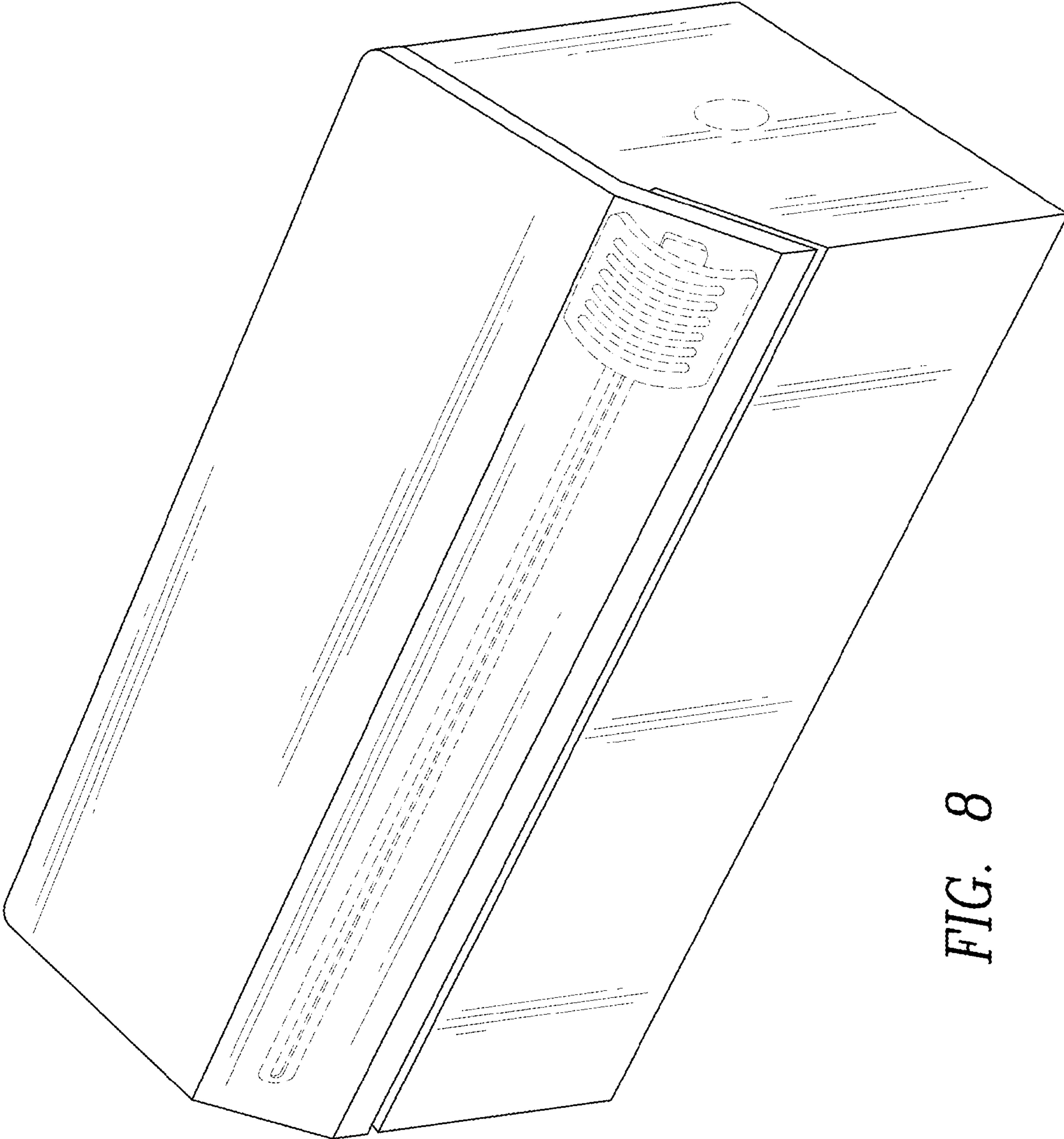


FIG. 8

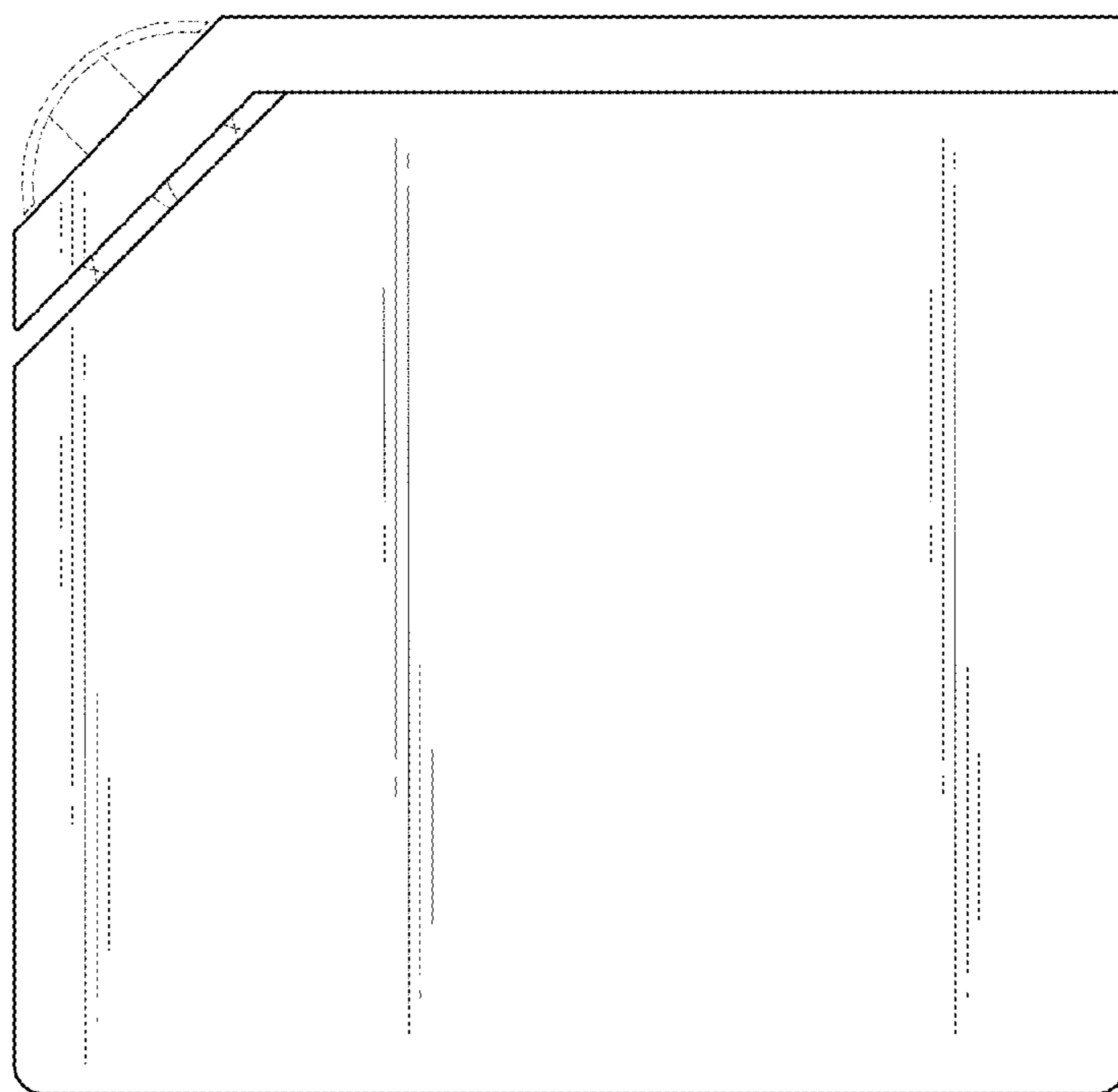


FIG. 9

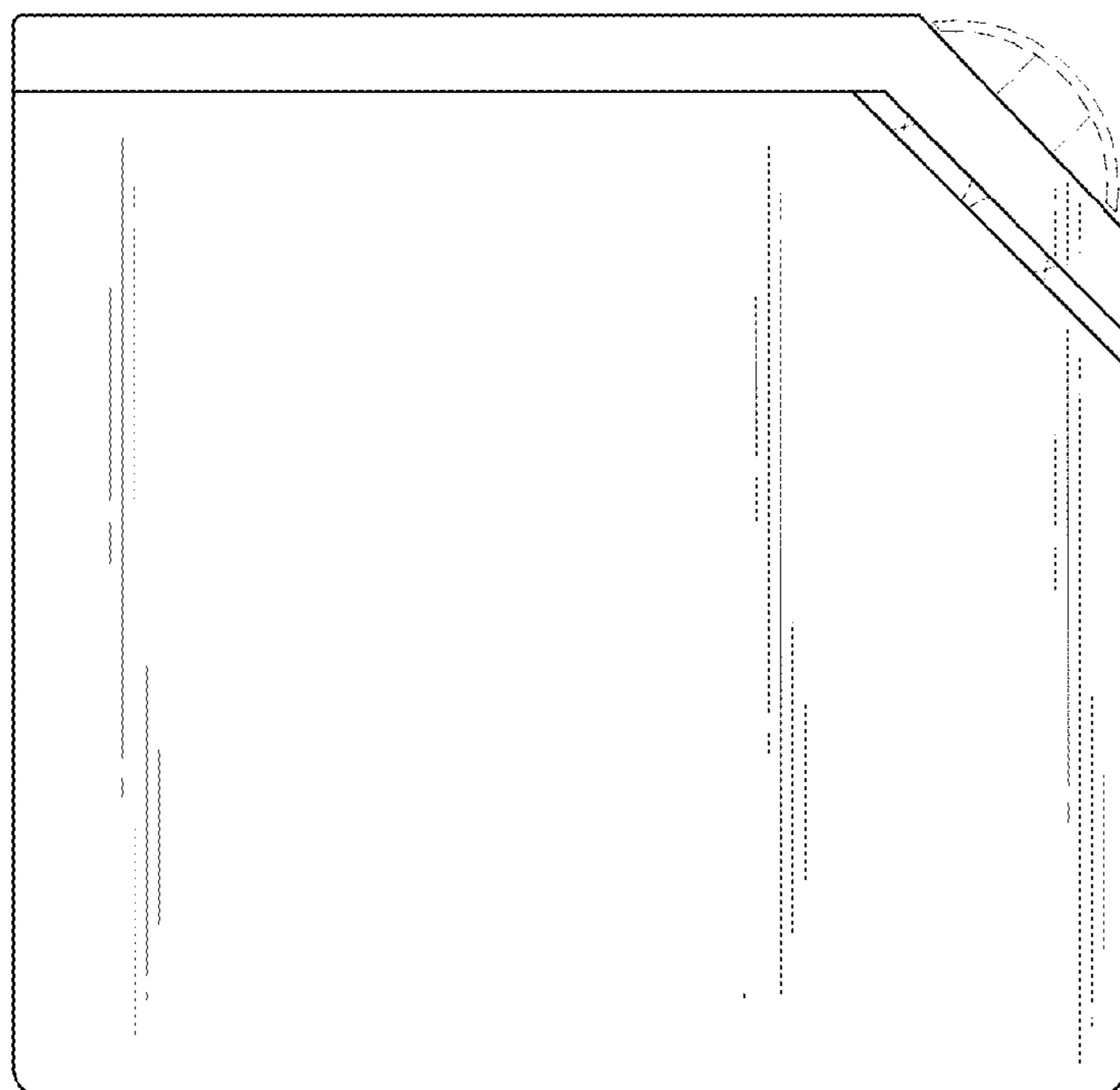


FIG. 10

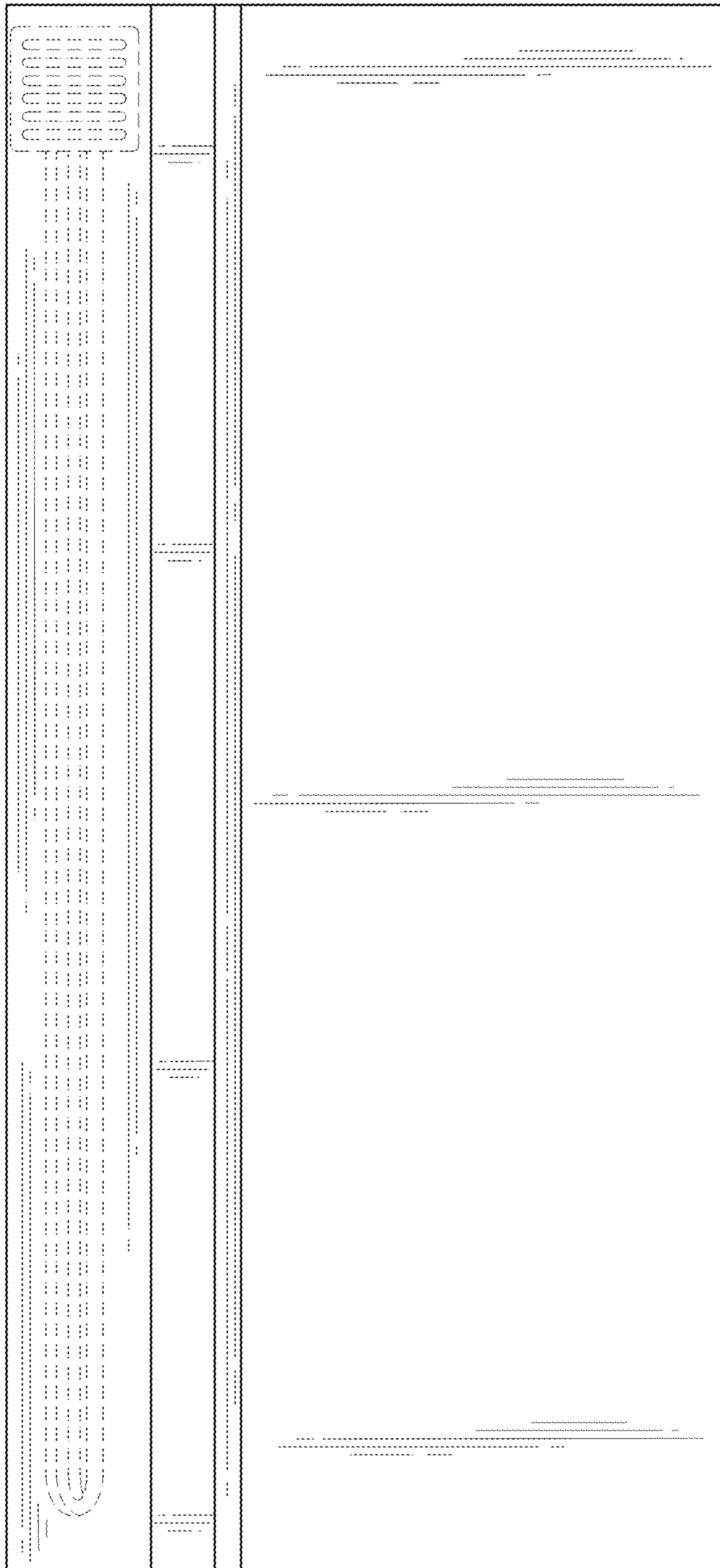


FIG. 11

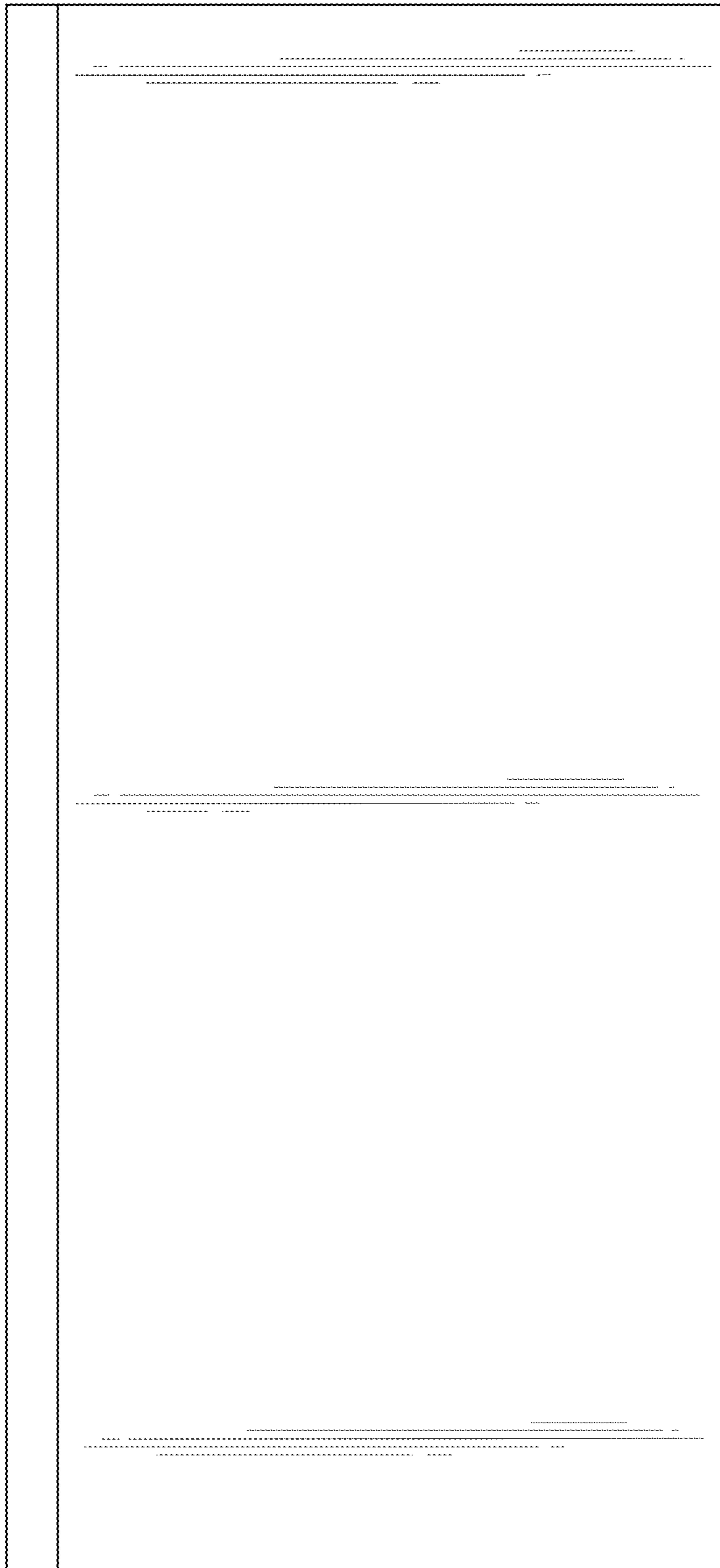


FIG. 12

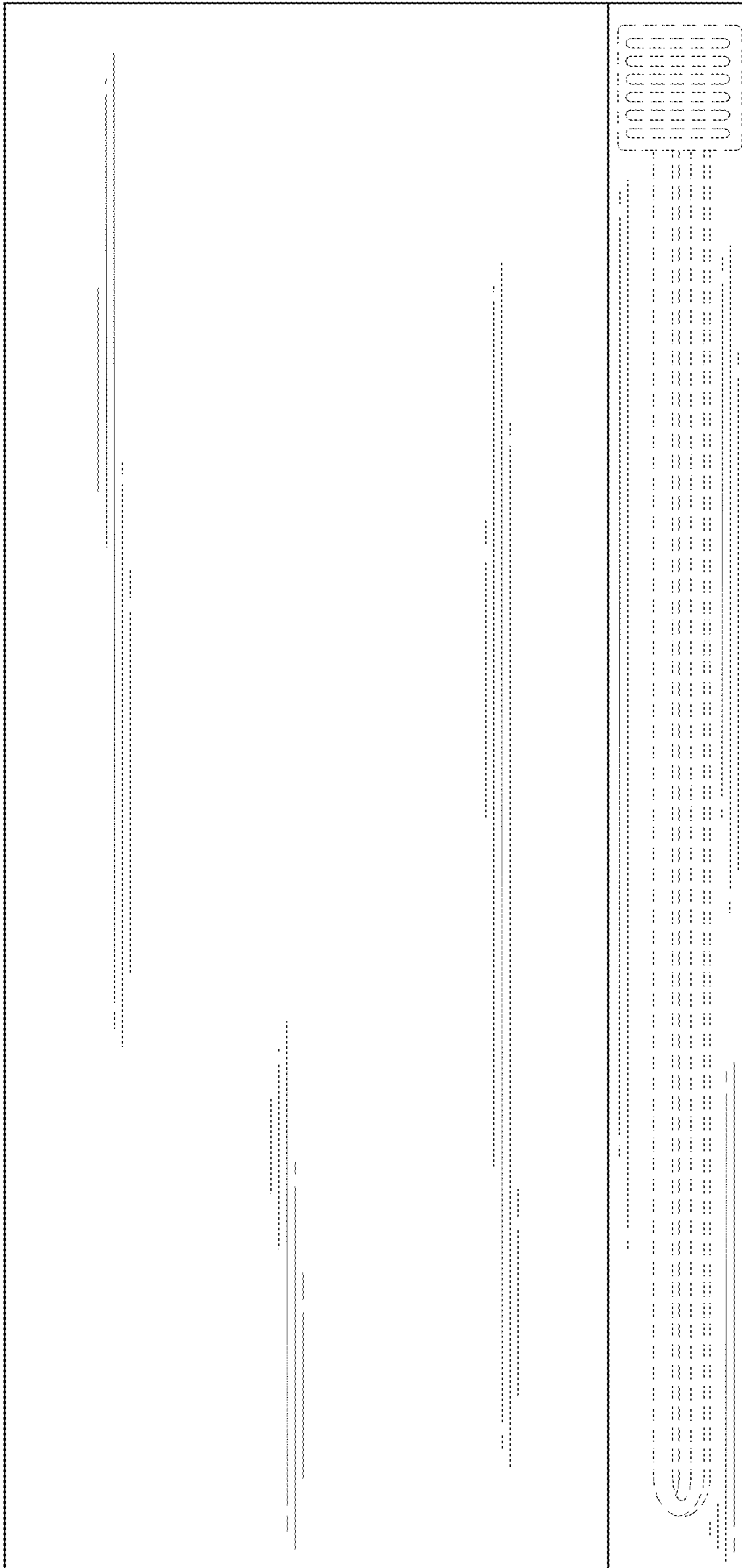


FIG. 13

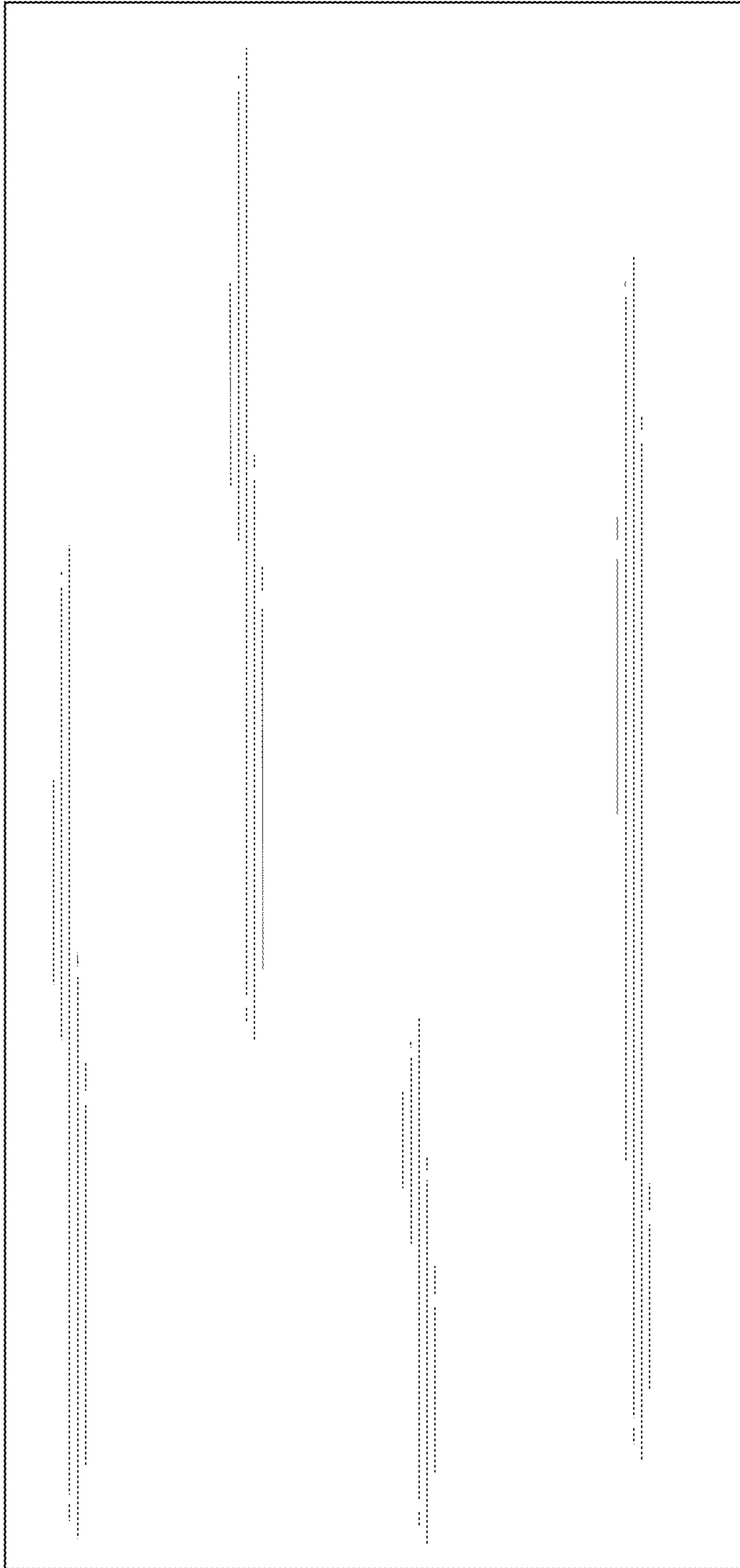


FIG. 14