

US00D873658S

(12) **United States Design Patent**
Mitchell

(10) **Patent No.:** **US D873,658 S**

(45) **Date of Patent:** **** Jan. 28, 2020**

(54) **PACKAGING**

(71) Applicant: **Smurfit Kappa UK Limited**, Liverpool (GB)

(72) Inventor: **Glenn Mitchell**, Liverpool (GB)

(73) Assignee: **Smurfit Kappa UK Limited**, Liverpool (GB)

(**) Term: **15 Years**

(21) Appl. No.: **29/645,488**

(22) Filed: **Apr. 26, 2018**

(30) **Foreign Application Priority Data**

Oct. 26, 2017 (EM) 004422335

Oct. 26, 2017 (EM) 004422335-0001

Oct. 26, 2017 (EM) 004422335-0002

(51) **LOC (12) Cl.** **09-03**

(52) **U.S. Cl.**
USPC **D9/432**

(58) **Field of Classification Search**

USPC D9/414-423, 424-429, 430-432, 433,
D9/434, 456, 457, 500, 520, 549, 558,
D9/711, 713, 721-722, 772, 761-762;
D3/290, 304, 305, 315; D20/10, 22, 27,
D20/40, 42

CPC ... B65D 5/00; B65D 5/02; B65D 5/18; B65D
5/20

See application file for complete search history.

(56) **References Cited**

U.S. PATENT DOCUMENTS

2,334,902 A * 11/1943 Buttery B65D 5/3642

229/117.07

2,336,731 A * 12/1943 Henderson B65D 5/522

206/45.29

2,916,161 A * 12/1959 Schaefer B65D 21/0215

206/512

D256,642 S * 9/1980 Lovell D6/515

D278,125 S * 3/1985 Benham D9/418

6,409,077 B1 * 6/2002 Telesca B65D 5/5007
206/45.29

7,614,497 B2 * 11/2009 Spivey, Sr. B65D 5/5233
206/427

D633,810 S * 3/2011 Jenkins D9/721

D715,641 S * 10/2014 Spinos D9/432

(Continued)

OTHER PUBLICATIONS

Lip Balm Counter Display Boxes. [online] Published Aug. 26, 2016.
Published Sep. 20, 2008. Retrieved Feb. 19, 2019 from URL:
<http://www.lipbalmboxes.com/>.*

Primary Examiner — Vy N Koenig

(74) *Attorney, Agent, or Firm* — Reichel Stohry Dean
LLP; Natalie J. Dean

(57) **CLAIM**

The ornamental design for a packaging, as shown and
described.

DESCRIPTION

FIG. 1 is a right front perspective view of a packaging of the
present disclosure;

FIG. 2 is a left front perspective view of the packaging of
FIG. 1;

FIG. 3 is a right rear perspective view of the packaging of
FIG. 1;

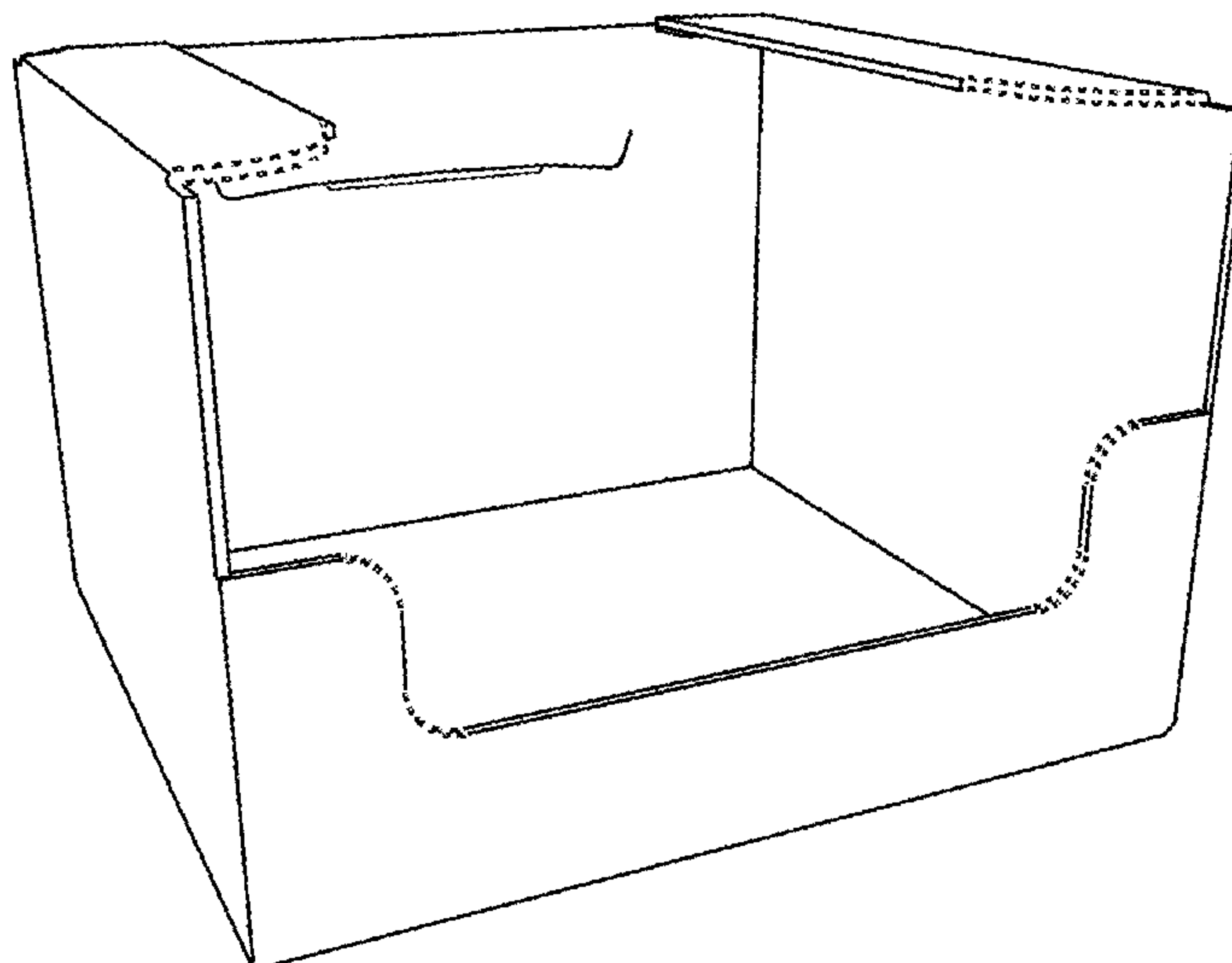
FIG. 4 is a left rear perspective view of the packaging of
FIG. 1;

FIG. 5 is a rear elevational view of the packaging of FIG. 1;
and,

FIG. 6 is a top view of the packaging of FIG. 1.

The broken lines in FIGS. 1-4 and 6 are boundary lines and
form no part of the claimed design. The claimed design
extends to the broken line boundaries, but does not include
the boundaries or the area encompassed by the boundary
lines.

1 Claim, 6 Drawing Sheets



(56)

References Cited

U.S. PATENT DOCUMENTS

8,973,811 B2 *	3/2015	McLeod	B65D 5/32 229/120.09
D731,185 S *	6/2015	Hsu	D3/304
D753,484 S *	4/2016	Lyulyev	D9/432
D764,169 S *	8/2016	Bougay	D3/304
D766,574 S *	9/2016	Hsu	D3/304
D769,622 S *	10/2016	Frank	D3/304
D791,481 S *	7/2017	Frank	D3/304
D793,775 S *	8/2017	Kelly	D6/675
10,017,308 B2 *	7/2018	Wang	B65D 71/16
D830,742 S *	10/2018	Brendlinger	D6/672
2015/0144686 A1 *	5/2015	Miranda	B65D 5/0005 229/101

* cited by examiner

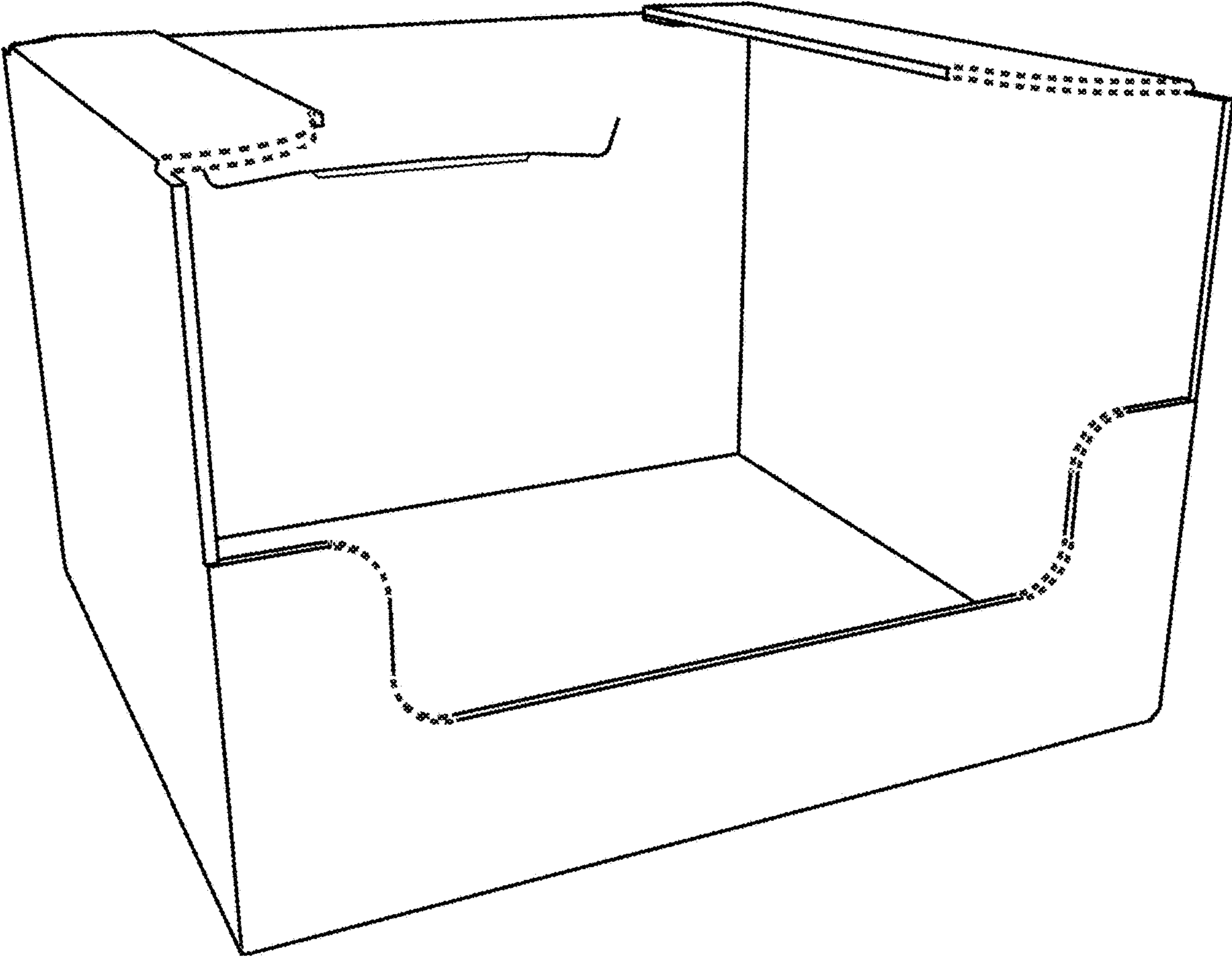


Figure 1

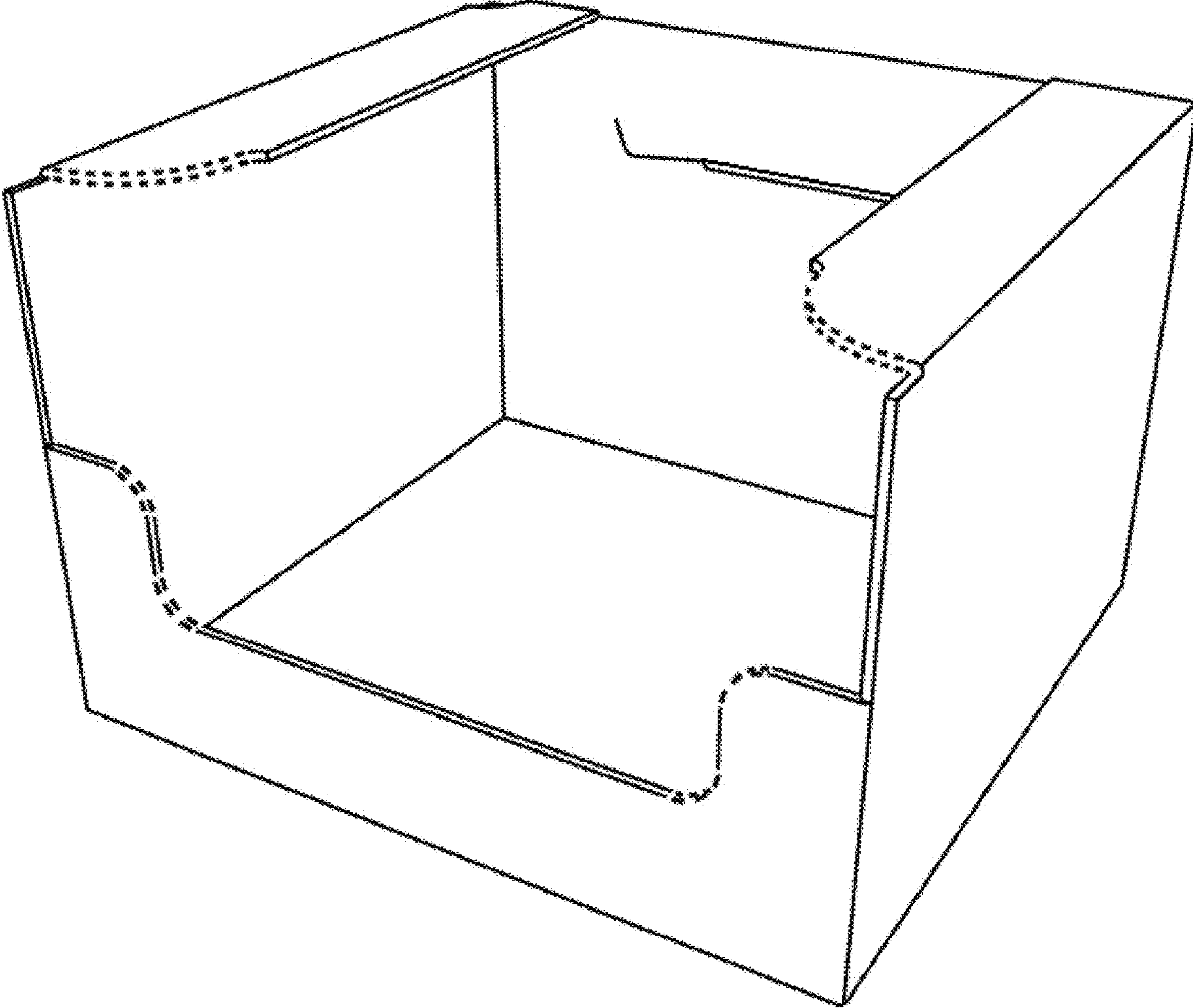


Figure 2

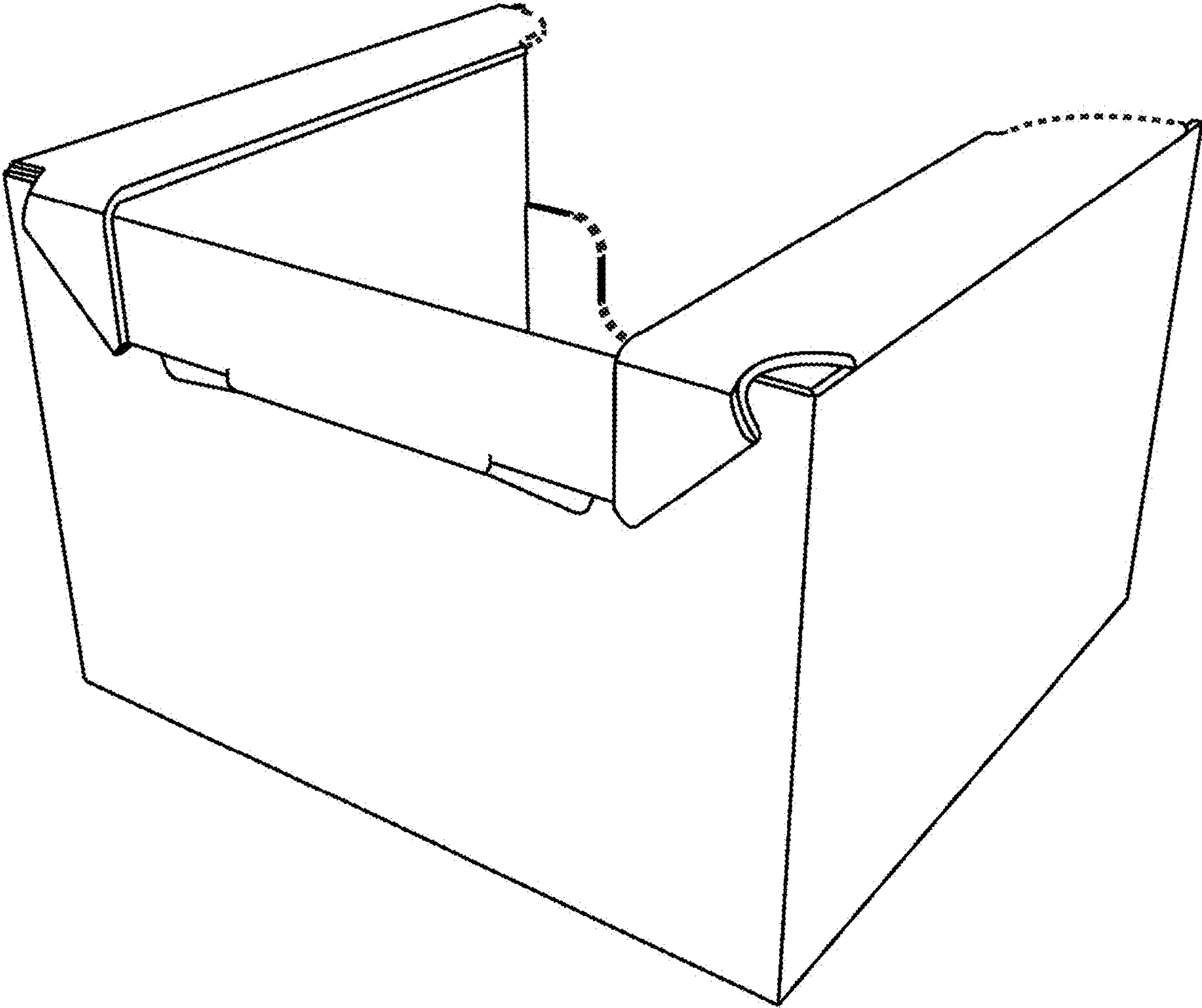


Figure 3

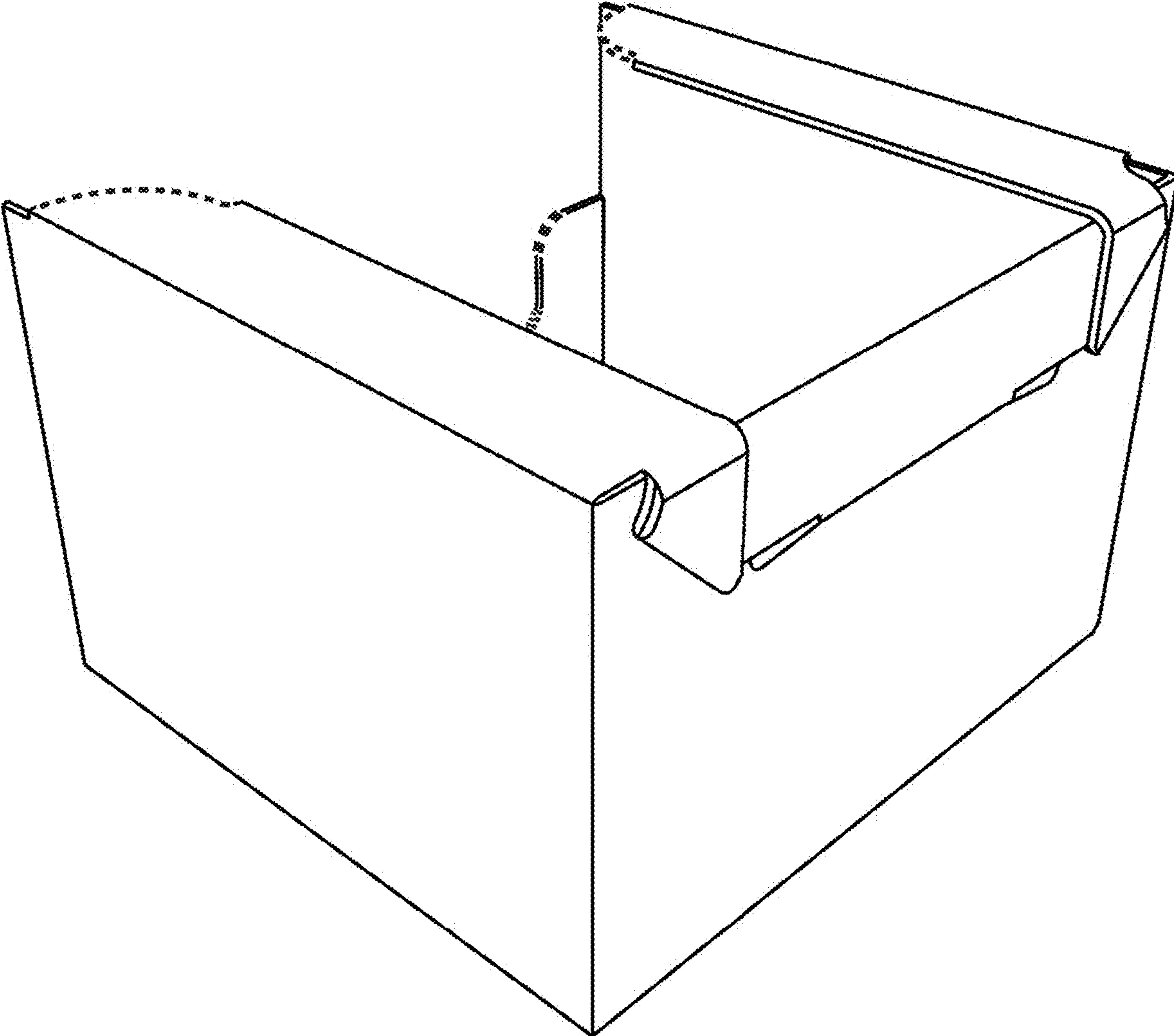


Figure 4

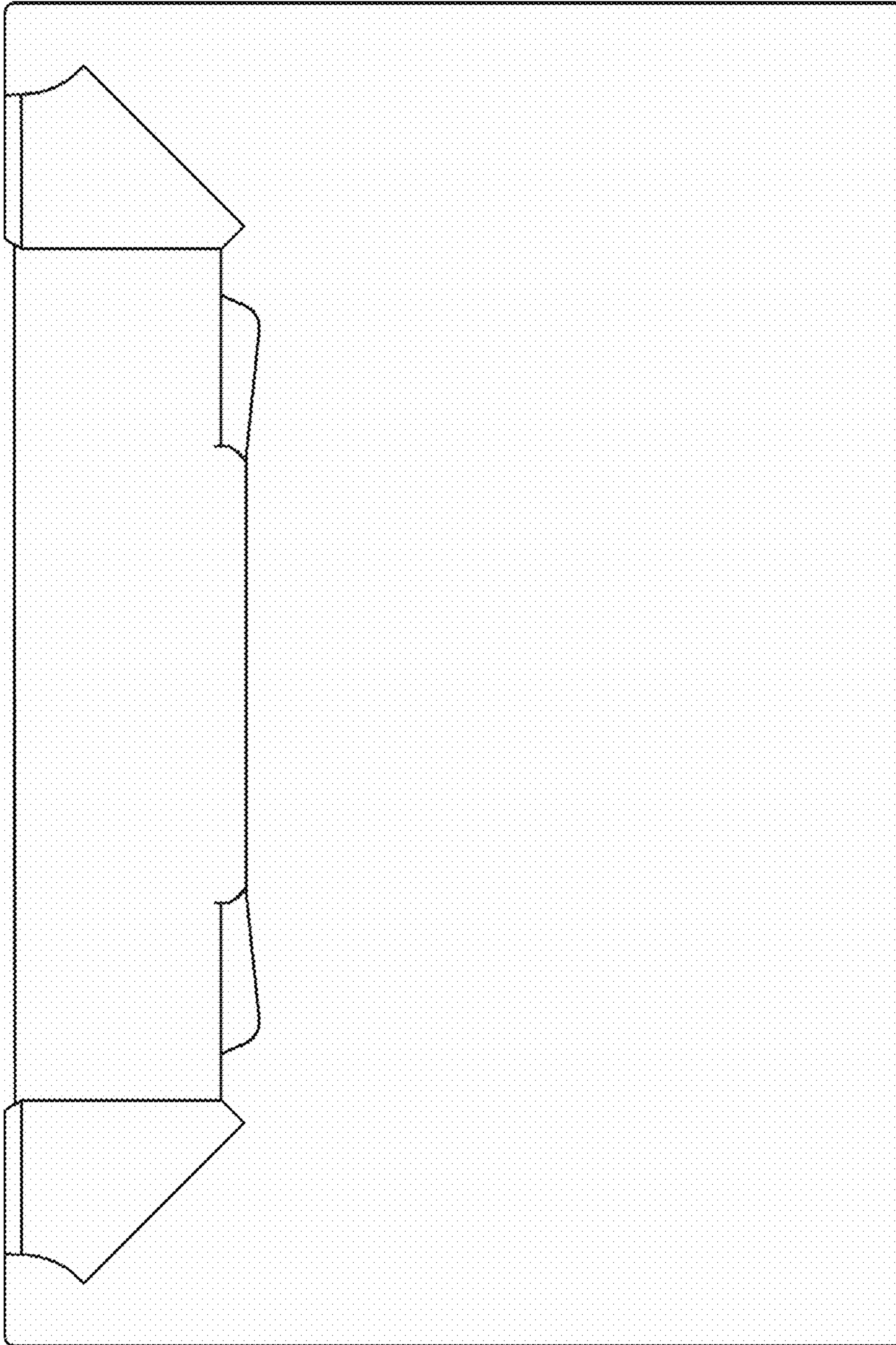


Figure 5

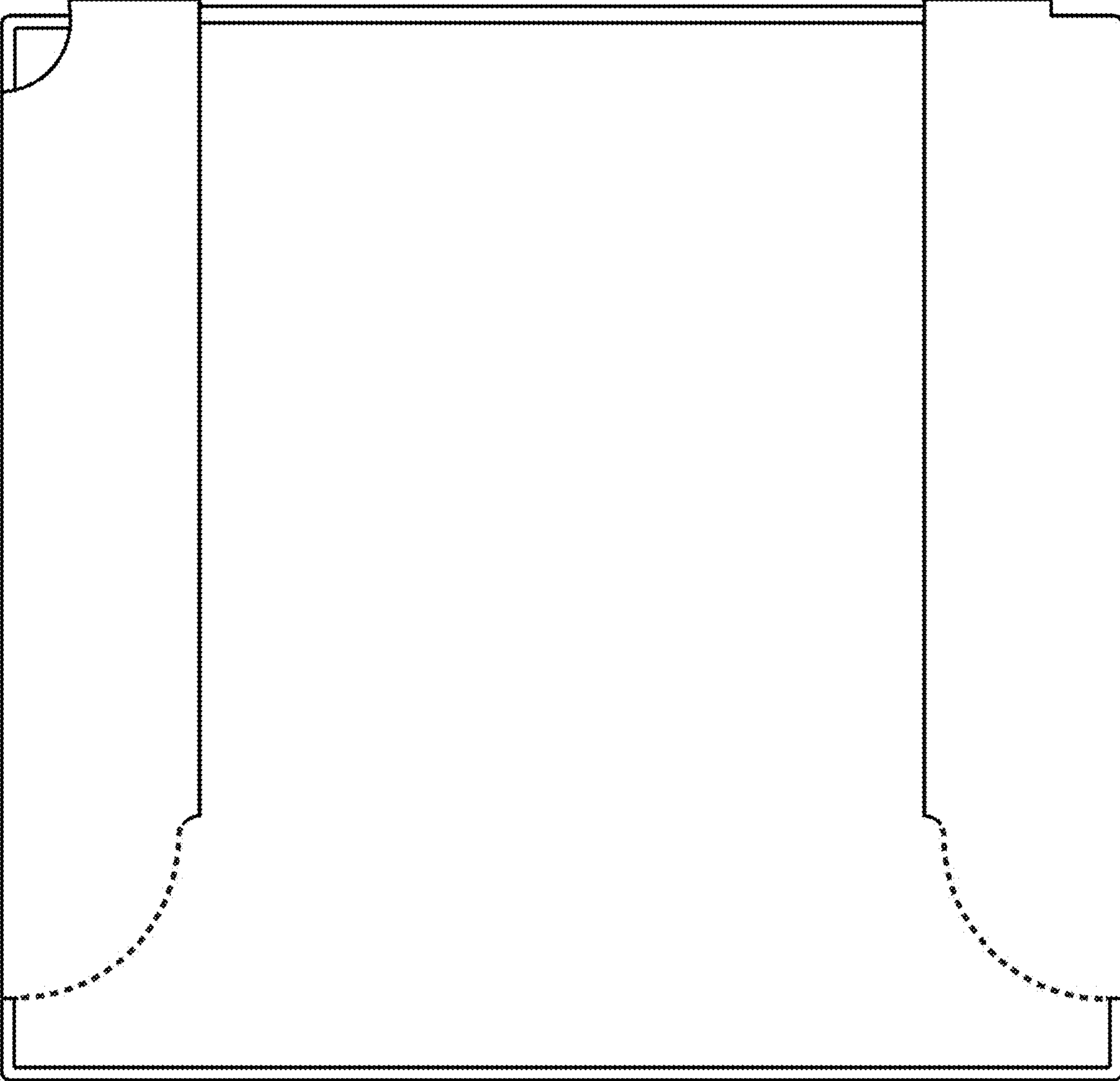


Figure 6