



US00D873656S

(12) **United States Design Patent**
Wouters

(10) **Patent No.:** **US D873,656 S**

(45) **Date of Patent:** **** Jan. 28, 2020**

(54) **TRAY FOR FOOD**

(71) Applicant: **Gate Gourmet Switzerland GmbH,**
Glattbrugg (CH)

(72) Inventor: **Luc Wouters,** Olen (BE)

(**) Term: **15 Years**

(21) Appl. No.: **29/640,122**

(22) Filed: **Mar. 12, 2018**

(30) **Foreign Application Priority Data**

Sep. 13, 2017 (EM) 004349689-0001

(51) **LOC (12) Cl.** **09-03**

(52) **U.S. Cl.**
USPC **D9/426; D9/432**

(58) **Field of Classification Search**
USPC D7/601-602; D9/414-434, 737, 761
See application file for complete search history.

(56) **References Cited**

U.S. PATENT DOCUMENTS

D241,822 S *	10/1976	Jewell	D9/423
D320,743 S *	10/1991	Alexander	D9/425
D408,282 S *	4/1999	McCann	D9/423
6,609,623 B2 *	8/2003	Chou	B65D 43/162
				220/4.23
D554,498 S *	11/2007	Lovett	D9/425
D606,811 S *	12/2009	Furlong	D7/602
D608,154 S *	1/2010	Furlong	D7/602

D629,658 S *	12/2010	Rusnak	D7/629
D668,536 S *	10/2012	Sanfilippo	D9/423
D680,860 S *	4/2013	Schulter	D9/426
D681,450 S *	5/2013	Wichmann	D9/432
D684,466 S *	6/2013	Wichmann	D9/426
D684,855 S *	6/2013	BeVier	D9/429
D689,363 S *	9/2013	Sundy	D9/429
D696,938 S *	1/2014	BeVier	B65D 43/162
				D9/432
9,278,787 B2 *	3/2016	Garg	B65D 43/162
D793,225 S *	8/2017	Hu	D9/423
D795,057 S *	8/2017	Segal	D9/425

* cited by examiner

Primary Examiner — Sandra L Morris

(74) *Attorney, Agent, or Firm* — Woodard, Emhardt,
Henry, Reeves & Wagner, LLP

(57) **CLAIM**

The ornamental design for a tray for food, as shown and described.

DESCRIPTION

FIG. 1 is a perspective view of a tray for food, showing my new design;

FIG. 2 is a perspective view thereof, shown in a closed position;

FIG. 3 is a top view thereof;

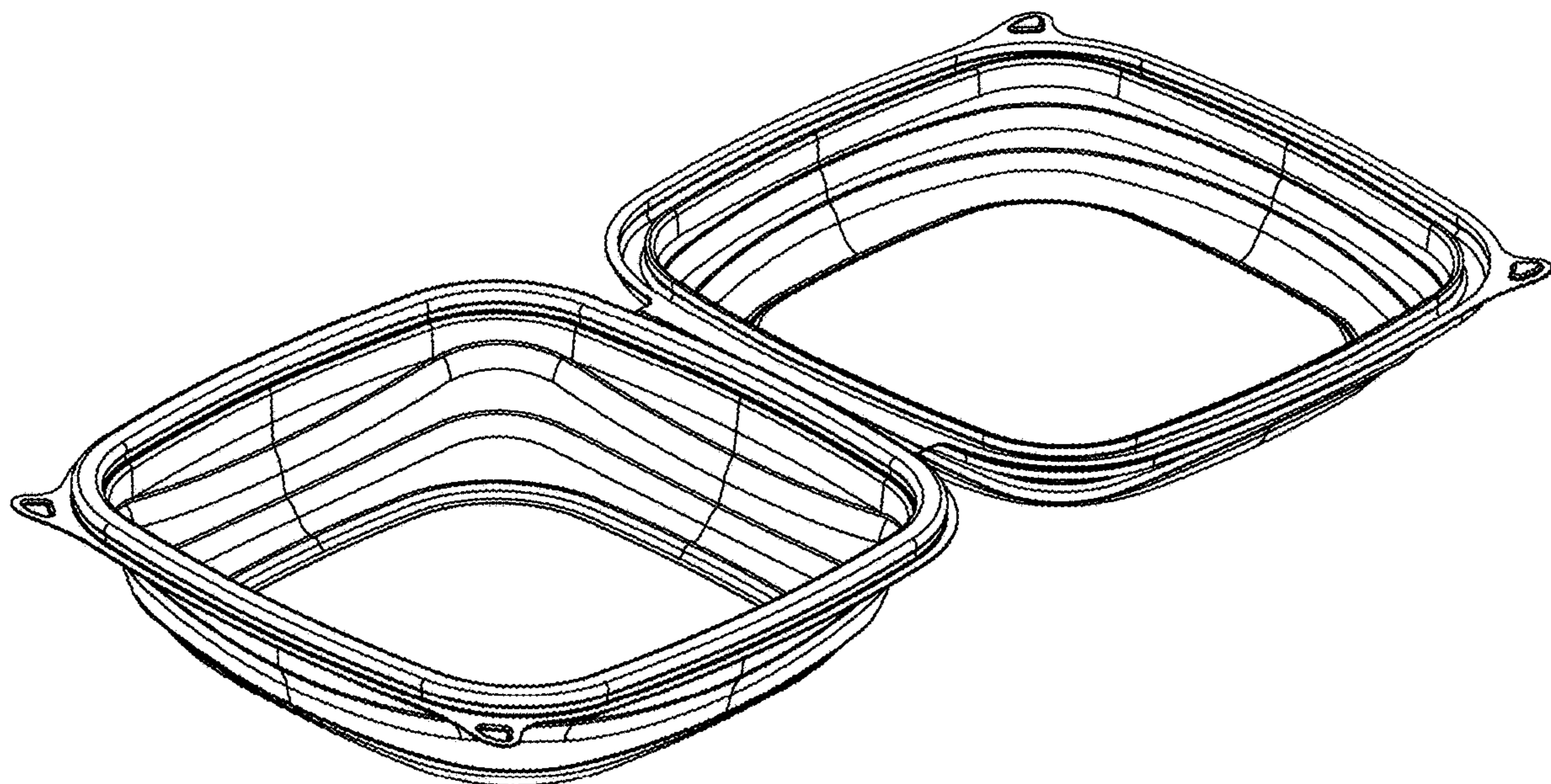
FIG. 4 is a bottom view thereof;

FIG. 5 is a right side view thereof, the other side being a mirror image thereof;

FIG. 6 is a rear view thereof; and,

FIG. 7 is a front view thereof.

1 Claim, 6 Drawing Sheets



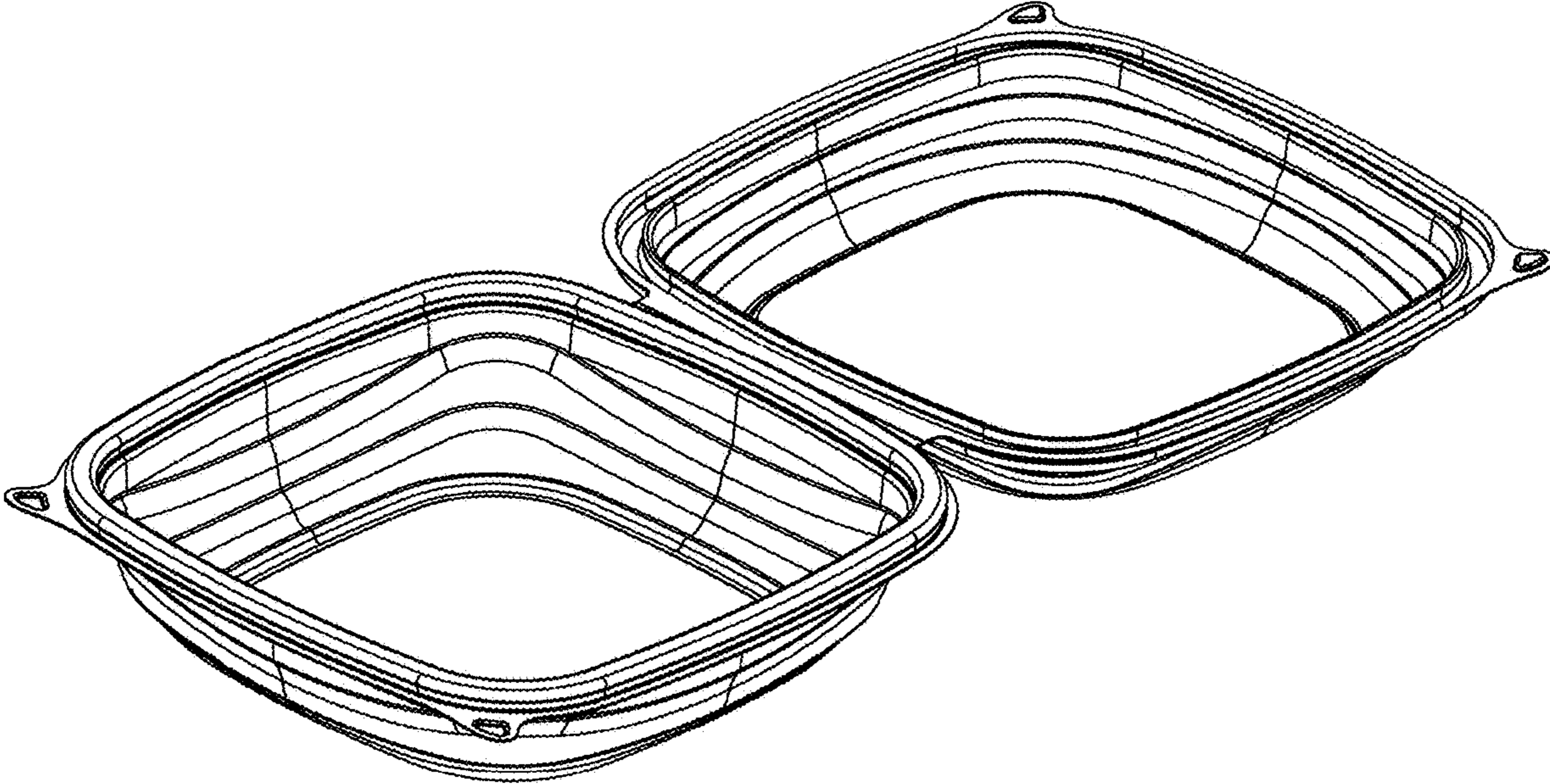


Fig. 1

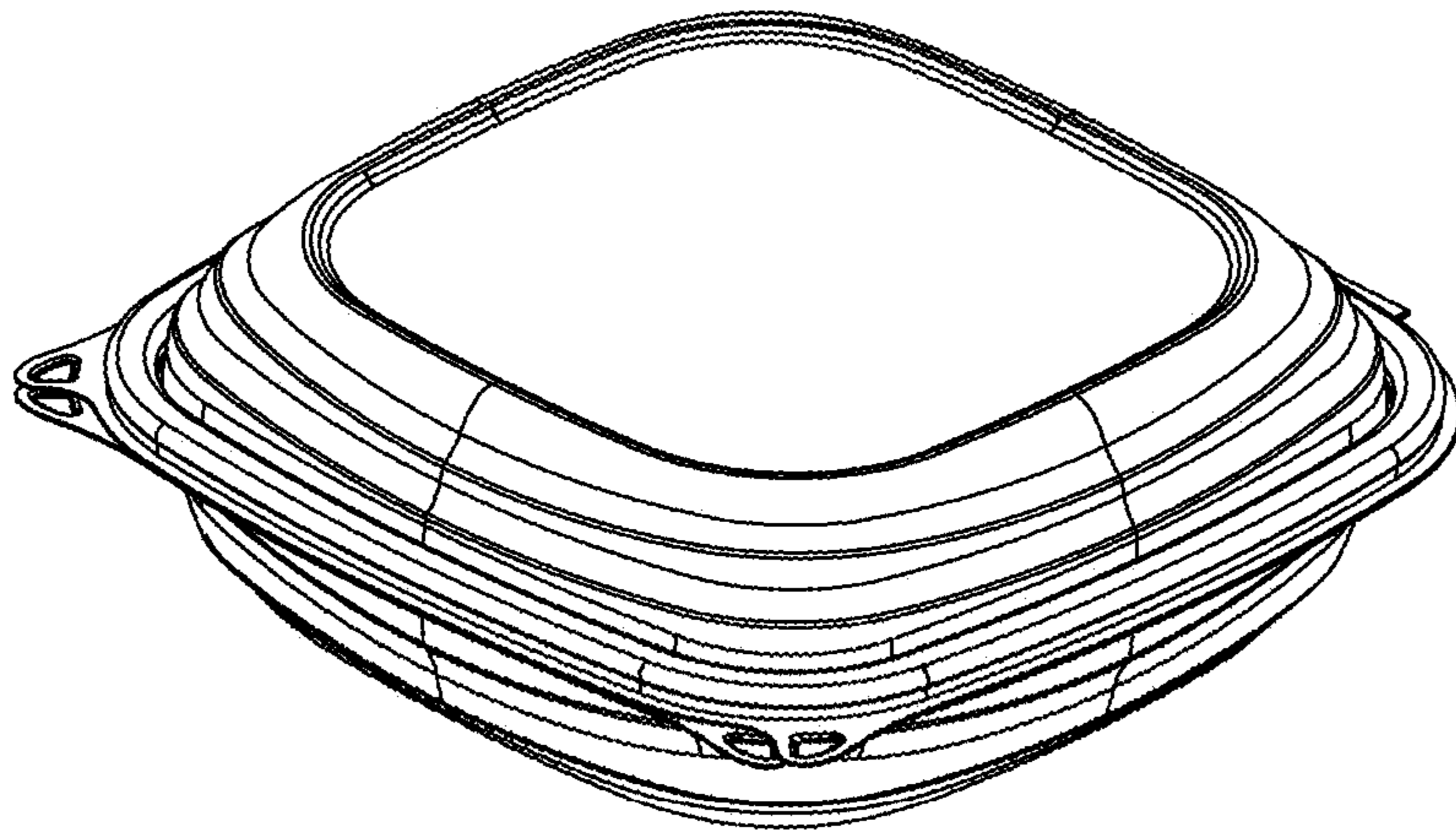


Fig. 2

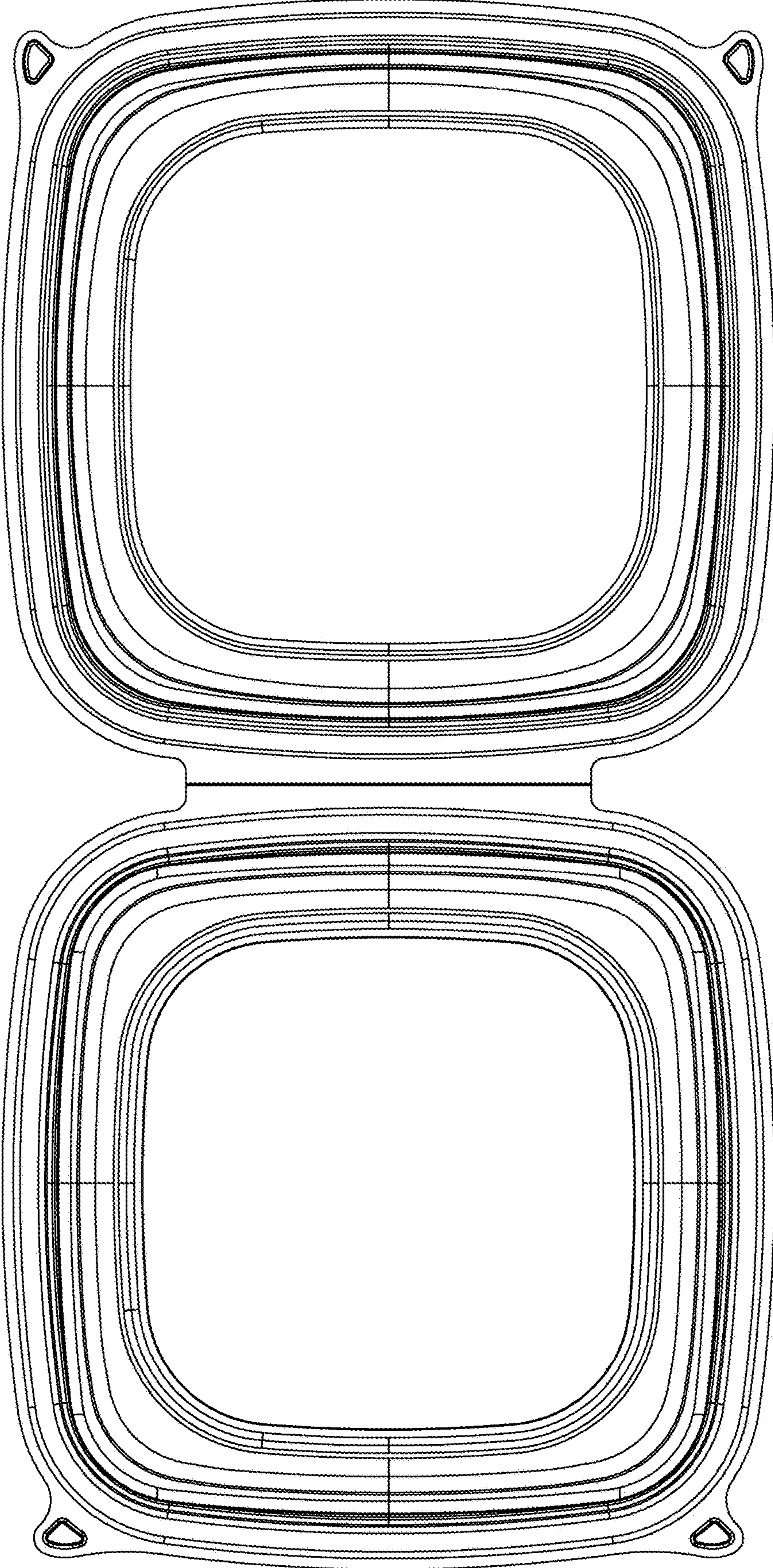


Fig. 3

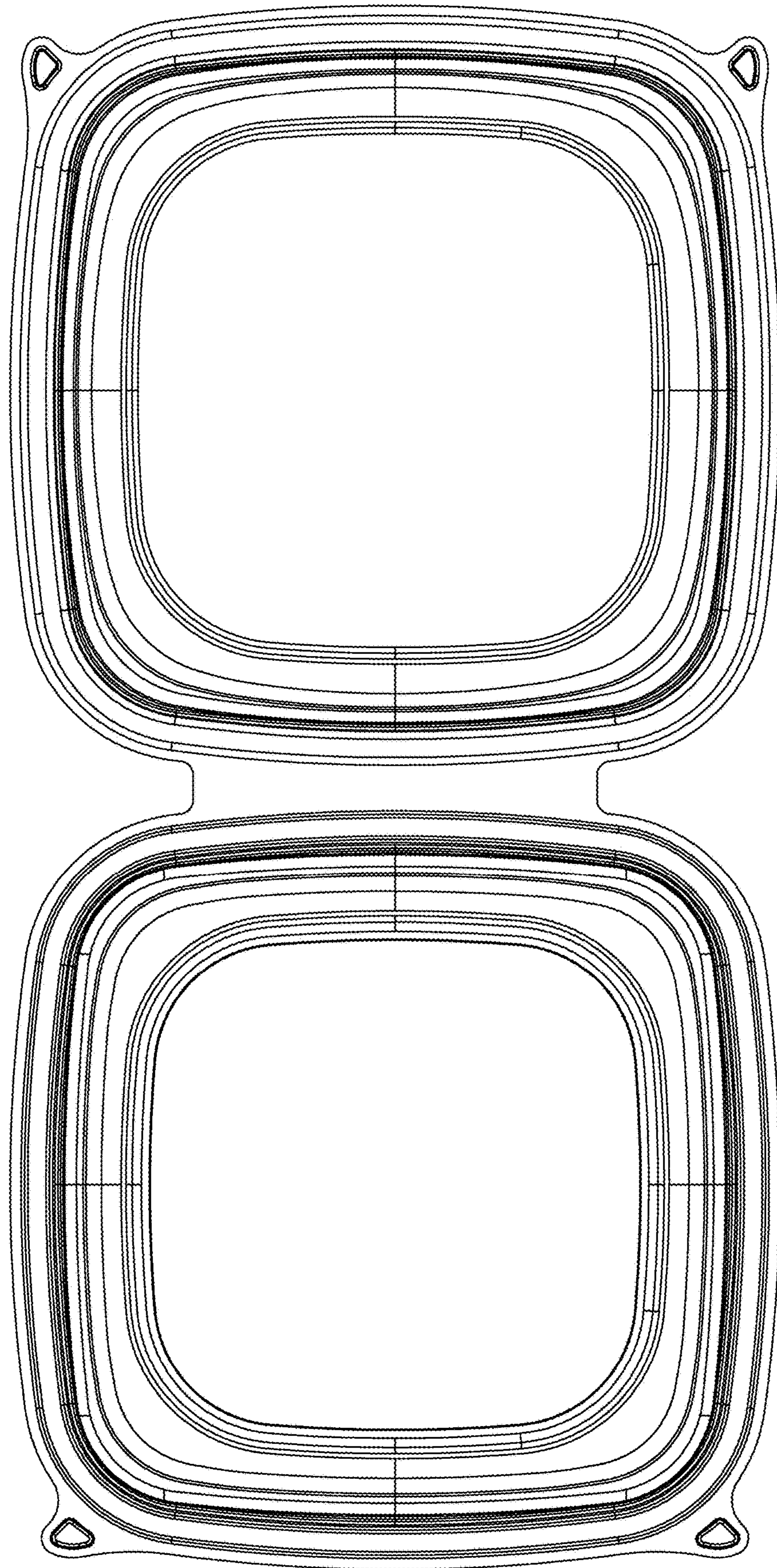


Fig. 4

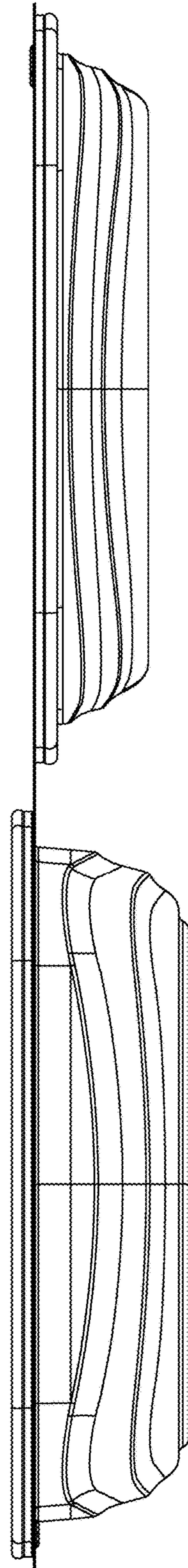


Fig. 5

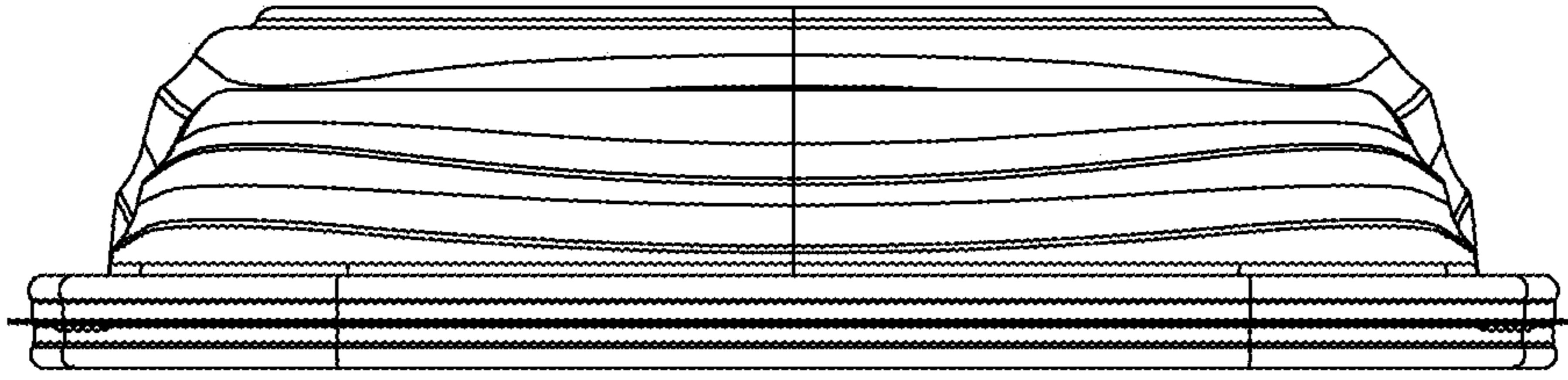


Fig. 6

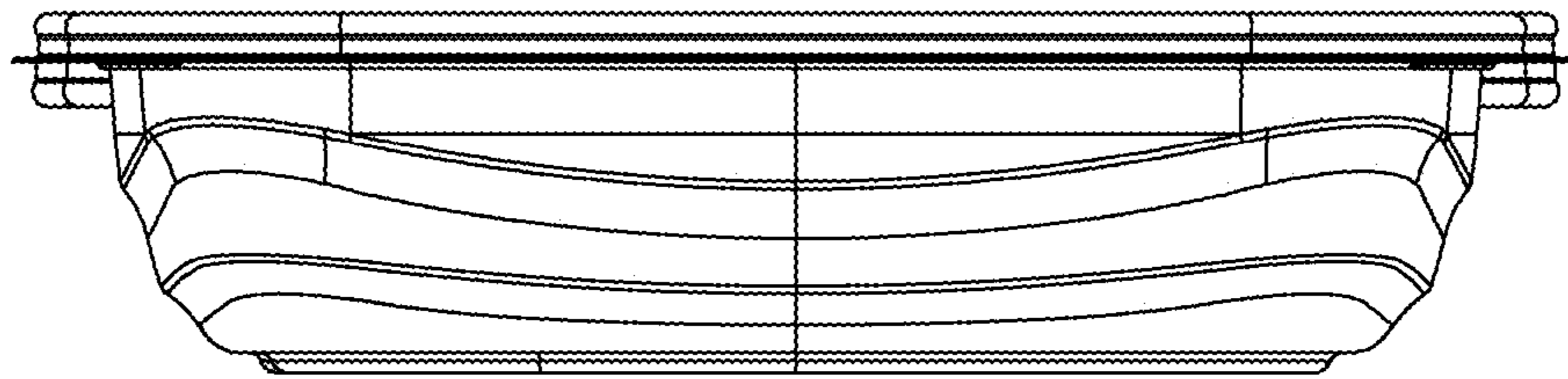


Fig. 7