



US00D873653S

(12) **United States Design Patent** (10) **Patent No.:** **US D873,653 S**
Stephens (45) **Date of Patent:** **** Jan. 28, 2020**

(54) **FEMININE HYGIENE ARTICLE PACKAGE**

FOREIGN PATENT DOCUMENTS

(71) Applicant: **The Procter & Gamble Company**,
Cincinnati, OH (US)

WO WO2014041807 A1 3/2014

(72) Inventor: **Jerry Ray Stephens**, Hamilton, OH
(US)

OTHER PUBLICATIONS

(73) Assignee: **The Procter & Gamble Company**,
Cincinnati, OH (US)

All Office Actions for U.S. Appl. No. 29/486,322.
All Office Actions for U.S. Appl. No. 29/492,343.
U.S. Appl. No. 29/492,343, filed May 30, 2014, Stephens.

(**) Term: **15 Years**

Primary Examiner — Rhea Shields
(74) *Attorney, Agent, or Firm* — Daniel S. Albrecht;
George Henry Leal

(21) Appl. No.: **29/586,665**

(57) **CLAIM**

(22) Filed: **Dec. 6, 2016**

The ornamental design for a feminine hygiene article pack-
age, as shown and described.

Related U.S. Application Data

DESCRIPTION

(62) Division of application No. 29/486,322, filed on Mar.
28, 2014, now Pat. No. Des. 775,520.

(51) **LOC (12) Cl.** **09-03**

(52) **U.S. Cl.**
USPC **D9/414**

(58) **Field of Classification Search**
USPC D9/414–420, 434, 432, 431, 625, 499
See application file for complete search history.

FIG. 1 is a front perspective view of a first embodiment of
a feminine hygiene article package embodying the new
design;
FIG. 2 is a front view thereof;
FIG. 3 is a back view thereof, the right and left sides being
the same; and
FIG. 4 is a top view thereof, the bottom view being the same.
FIG. 5 is a front perspective view of a second embodiment
of a feminine hygiene article package embodying the new
design;
FIG. 6 is a front view thereof;
FIG. 7 is a back view thereof, the right and left sides being
the same; and,
FIG. 8 is a top view thereof, the bottom view being the same.
In FIGS. 5 and 6 the stippling indicates a contrast in
appearance.
Solid lines shown in the figures described above form the
claimed design. In the drawings, the broken lines are for the
purpose of illustrating environment only and form no part of
the claimed design.

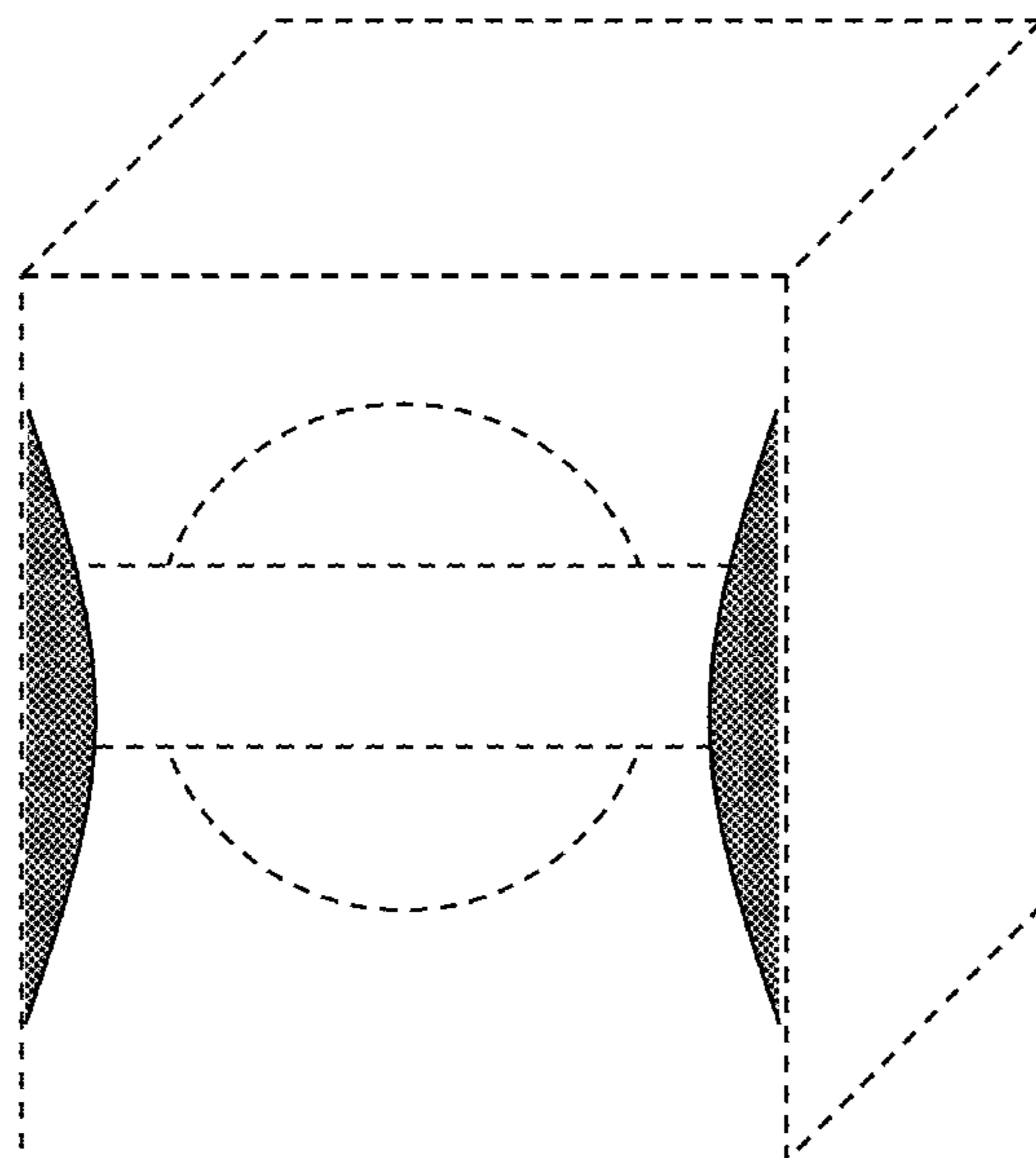
(56) **References Cited**

U.S. PATENT DOCUMENTS

D273,462 S	4/1984	Mode	
4,921,474 A	5/1990	Suzuki et al.	
D394,385 S	5/1998	Laughlin	
D415,565 S	10/1999	Hayes et al.	
D519,832 S	5/2006	Demathieu et al.	
D521,373 S	5/2006	Stanton	
D521,376 S	5/2006	Mosto	
D526,572 S *	8/2006	Lemaire	D9/431
D527,253 S *	8/2006	Hamuro	D9/432
D546,673 S *	7/2007	Mongeon	D9/432

(Continued)

1 Claim, 8 Drawing Sheets



(56)

References Cited

U.S. PATENT DOCUMENTS

D586,210 S *	2/2009	Noschang	D9/434	D686,066 S *	7/2013	Macaulay	D9/434
D589,343 S	3/2009	Bohache et al.		D686,067 S *	7/2013	Macaulay	D9/434
D598,745 S	8/2009	Bohache et al.		D686,068 S *	7/2013	DiFranza	D9/434
D603,701 S *	11/2009	Seol	D9/432	D686,069 S *	7/2013	DiFranza	D9/434
D615,397 S	5/2010	Arnell		D686,070 S *	7/2013	DiFranza	D9/434
D616,300 S	5/2010	Shaikh		D689,769 S *	9/2013	Oates	D9/434
D617,183 S	6/2010	Stephens		D691,471 S	10/2013	Walter et al.	
D617,186 S *	6/2010	Bone	D9/434	D706,630 S *	6/2014	Merchant	D9/434
D620,592 S	7/2010	VanDenBogart et al.		D728,364 S	5/2015	Baker et al.	
D629,295 S	12/2010	Franic		D734,144 S	7/2015	Sanfilippo et al.	
D636,666 S *	4/2011	Bone	D9/432	D744,333 S *	12/2015	Hood	D9/434
D639,179 S *	6/2011	Powers	D9/434	D752,439 S *	3/2016	Abel	D9/499
D644,513 S *	9/2011	Marotti	D9/434	D755,380 S	5/2016	DeSoto-Burt et al.	
D650,273 S *	12/2011	Tekulve	D9/432	D756,518 S	5/2016	Bischoff	
D654,789 S *	2/2012	DuVal	D9/432	D762,122 S *	7/2016	Spenceman	D9/434
D655,155 S *	3/2012	Tekulve	D9/432	D764,913 S *	8/2016	Hood	D9/434
D655,156 S *	3/2012	Schrimpf	D9/432	D765,507 S *	9/2016	Hood	D9/434
D655,157 S *	3/2012	Hablutzel	D9/434	D768,475 S *	10/2016	Thompson	D9/414
D656,016 S *	3/2012	Hablutzel	D9/434	D768,480 S *	10/2016	Hood	D9/434
D657,239 S	4/2012	Gavrilenkov et al.		D768,481 S *	10/2016	Gagliardo	D9/434
D660,145 S *	5/2012	Tekulve	D9/432	D775,520 S *	1/2017	Stephens	D9/414
D661,200 S *	6/2012	Subler	D9/434	D779,320 S *	2/2017	Rubio	D9/432
D666,091 S *	8/2012	Klopp	D9/434	D779,321 S *	2/2017	Rubio	D9/432
D674,692 S *	1/2013	Chase	D9/434	D779,322 S *	2/2017	Rubio	D9/432
D682,684 S	5/2013	Walter et al.		D779,327 S *	2/2017	Fraser	D9/499
D683,218 S *	5/2013	Thompson	D9/432	D820,676 S *	6/2018	Powers	D9/625
D684,467 S *	6/2013	Macaulay	D9/432	D829,546 S *	10/2018	Gagliardo	D9/434
				D830,165 S *	10/2018	Thompson	D9/418
				2012/0101424 A1	4/2012	Watanabe	

* cited by examiner

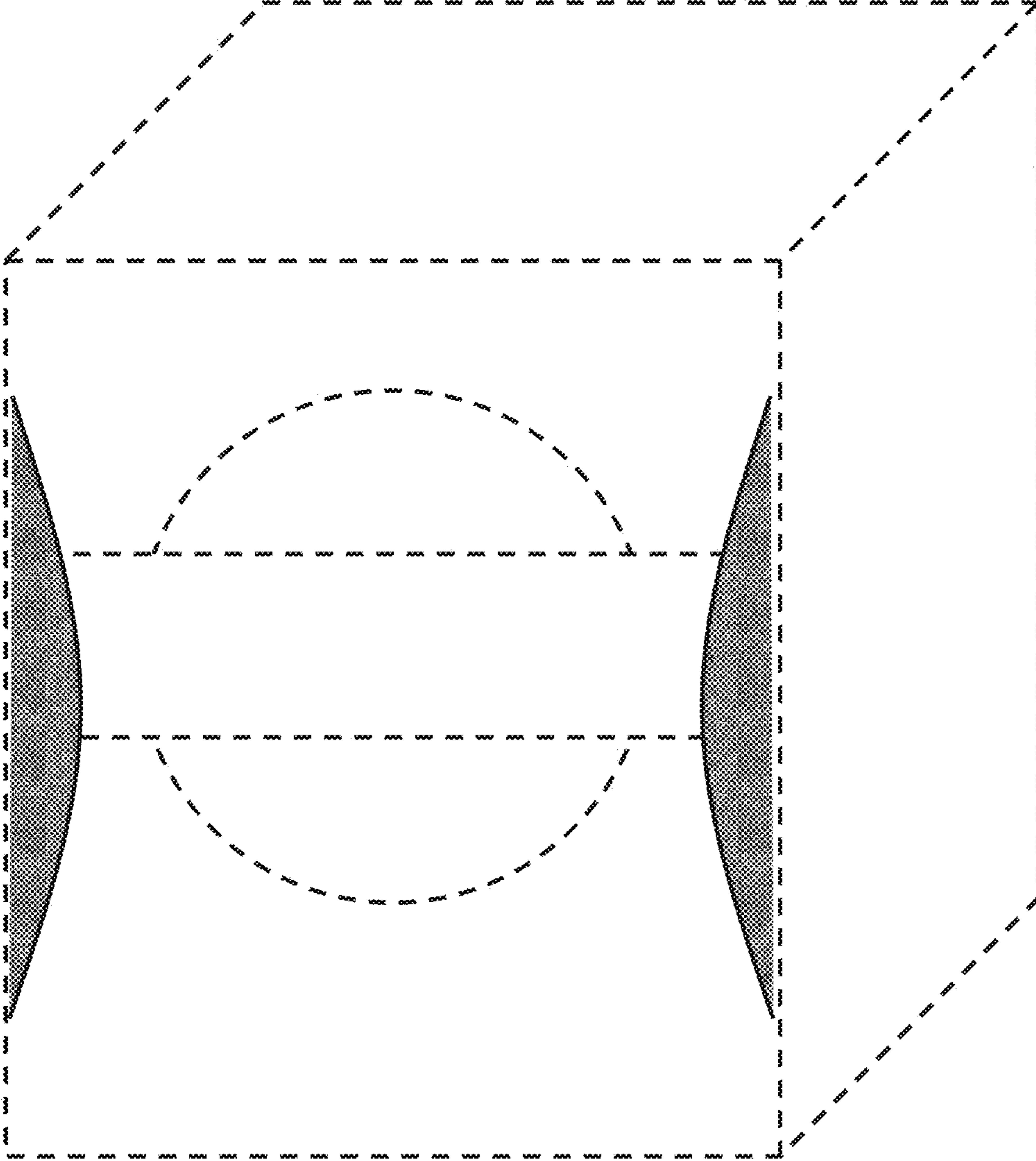


FIG. 1

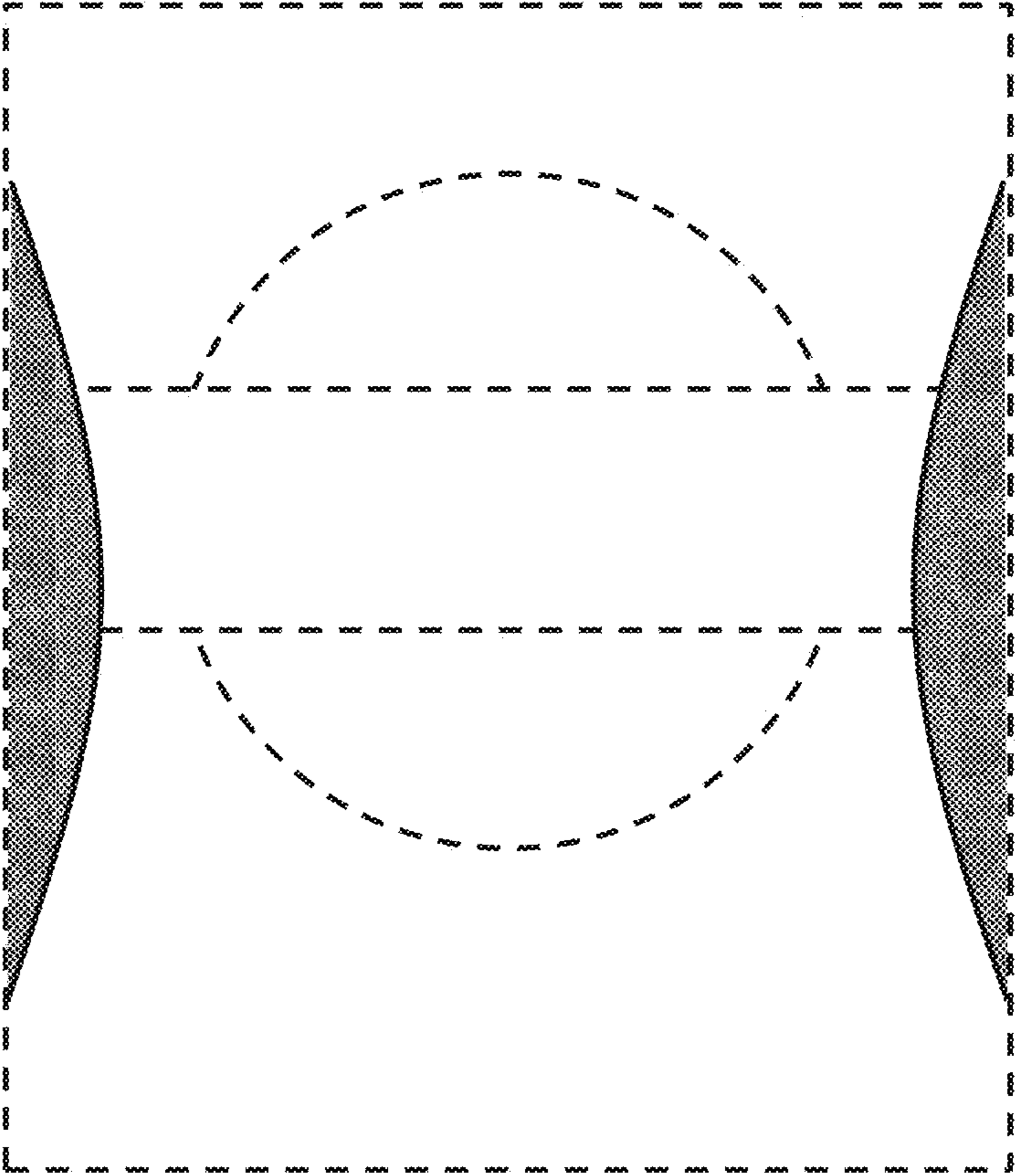


FIG. 2

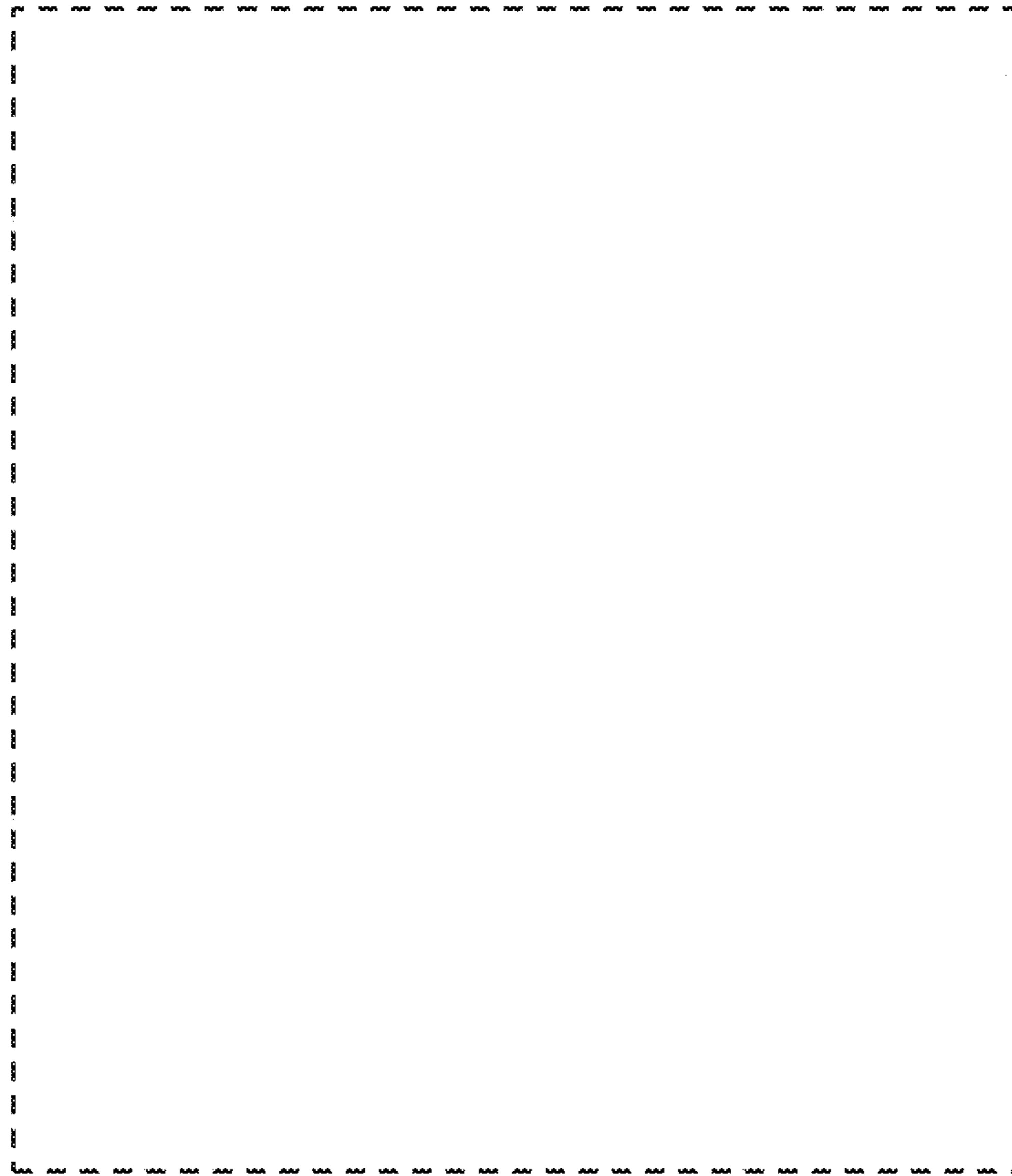


FIG. 3



FIG. 4

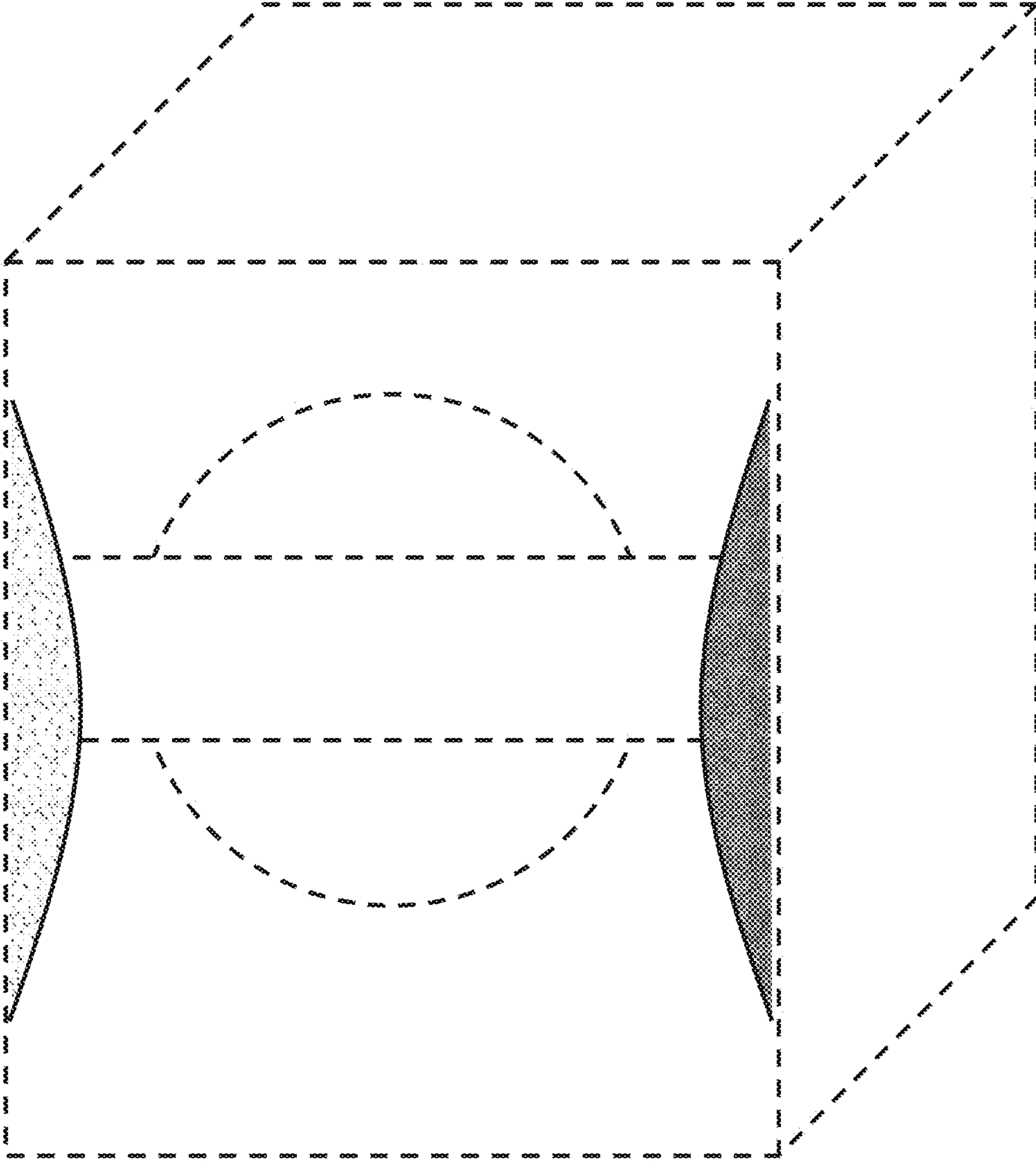


FIG. 5

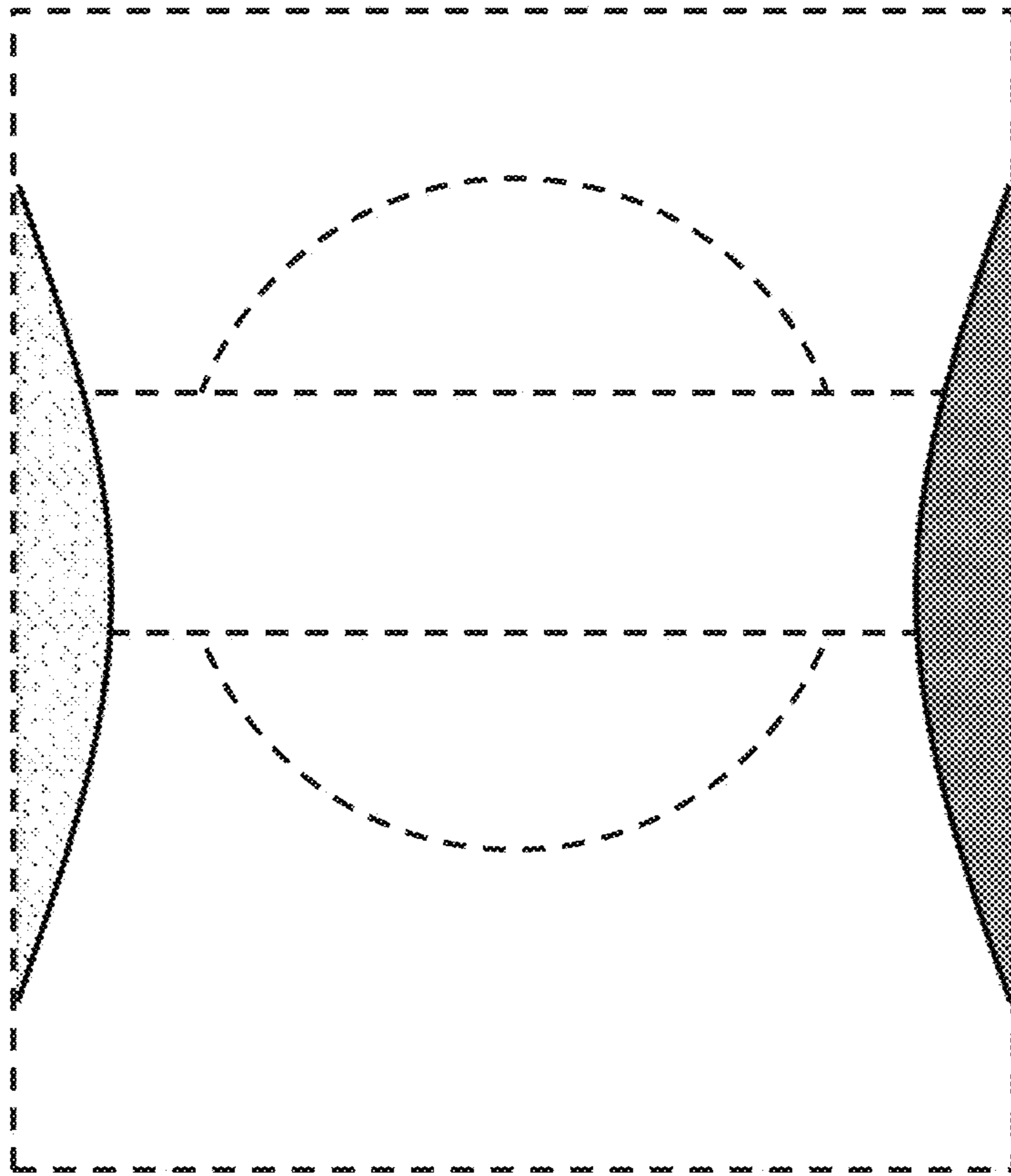


FIG. 6

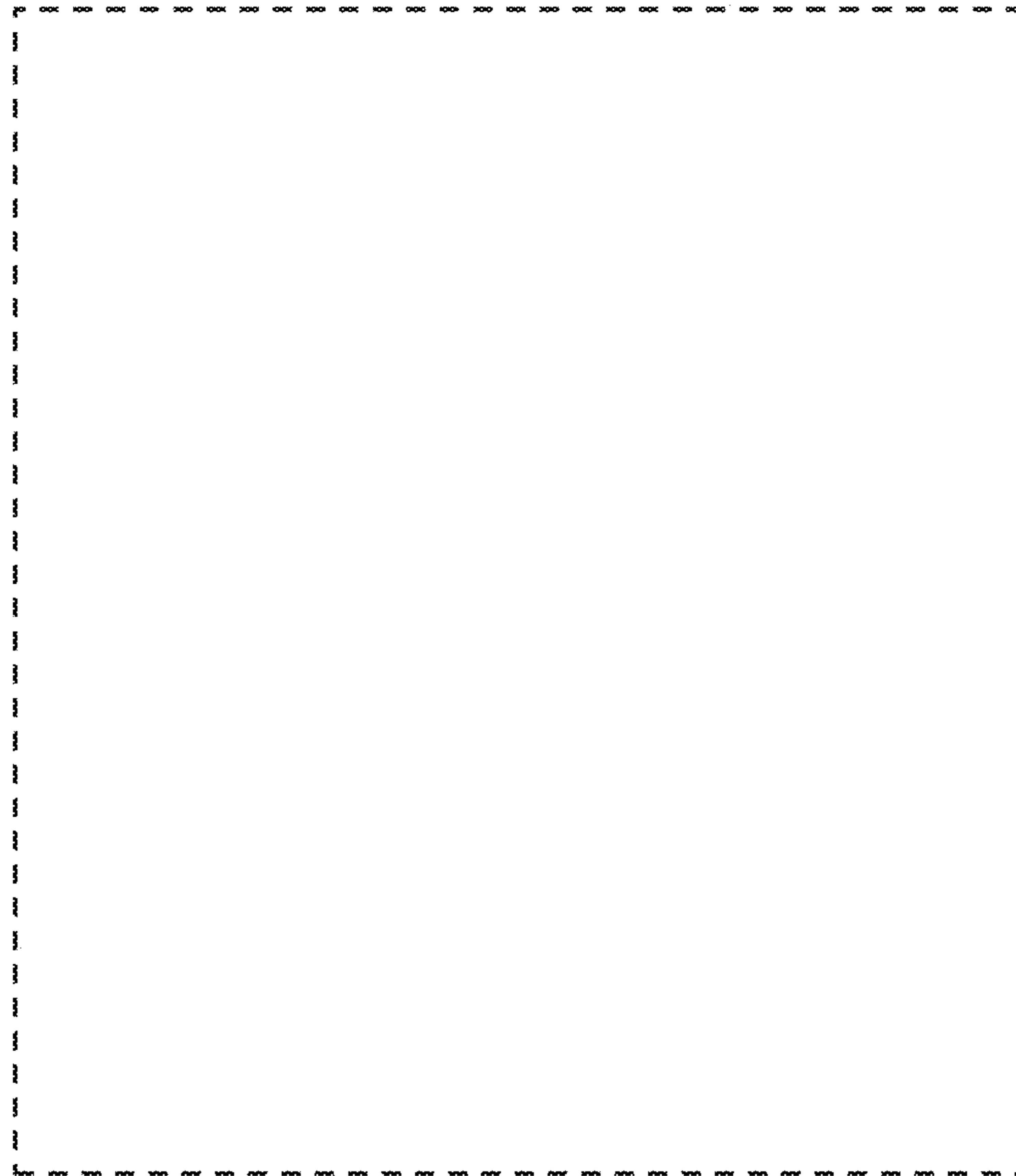


FIG. 7



FIG. 8