



US00D873652S

(12) **United States Design Patent**
Dupont-Madinier et al.

(10) **Patent No.:** **US D873,652 S**
(45) **Date of Patent:** **** Jan. 28, 2020**

(54) **ASSEMBLY**
(71) Applicant: **CERTAINEED CORPORATION**,
Malvern, PA (US)
(72) Inventors: **Kim Dupont-Madinier**, Somerville,
MA (US); **Conor Patrick McDonald**,
Boston, MA (US)
(73) Assignee: **CERTAINEED CORPORATION**,
Malvern, PA (US)
(**) Term: **15 Years**

D488,055 S * 4/2004 Ter Braak D8/377
D501,564 S * 2/2005 Kuramochi D25/122
D541,953 S * 5/2007 Deleu D25/122
D616,567 S * 5/2010 Desrosiers D25/122
D616,568 S * 5/2010 Desrosiers D25/122
D635,692 S * 4/2011 Wirthgen D25/119
D669,770 S * 10/2012 Lapping D25/122
D679,177 S * 4/2013 Craig D8/395
D688,122 S * 8/2013 Wasco D8/395
D690,583 S * 10/2013 Sendra-Gonzalez ... H02S 20/00
D756,764 S * 5/2016 Limber D8/395
D781,693 S * 3/2017 Roan D8/394
D781,694 S * 3/2017 Iwata D8/14
9,982,742 B2 * 5/2018 Loewe F16F 13/04

(21) Appl. No.: **29/693,025**

* cited by examiner

(22) Filed: **May 30, 2019**

Primary Examiner — John Windmuller

Related U.S. Application Data

(74) *Attorney, Agent, or Firm* — Abel Schillinger, LLP;
Thomas H. Osborn

(63) Continuation of application No. 29/586,039, filed on
Nov. 30, 2016, now Pat. No. Des. 854,405.

(51) **LOC (12) Cl.** **08-08**

(57) **CLAIM**

The ornamental design for an assembly, as shown and
described.

(52) **U.S. Cl.**

USPC **D8/395**; D8/396

DESCRIPTION

(58) **Field of Classification Search**

USPC D8/356, 371, 394–396; D19/65, 56;
D25/58, 121, 122

CPC . E04B 9/067; E04B 9/068; E04B 9/12; E04B
9/18; E04B 9/30; E04B 2009/062; E04C
2003/0413; E04C 2003/0439; E04C
2003/046

See application file for complete search history.

FIG. 1 is a front perspective view of an assembly showing
our new design;
FIG. 2 is a front view thereof with an additional piece;
FIG. 3 is a back view thereof without the additional piece;
FIG. 4 is a side view of the assembly;
FIG. 5 is an opposite side view of the assembly;
FIG. 6 is a top view of the assembly;
FIG. 7 is a bottom view of the assembly; and,
FIG. 8 is an exploded view of the assembly.

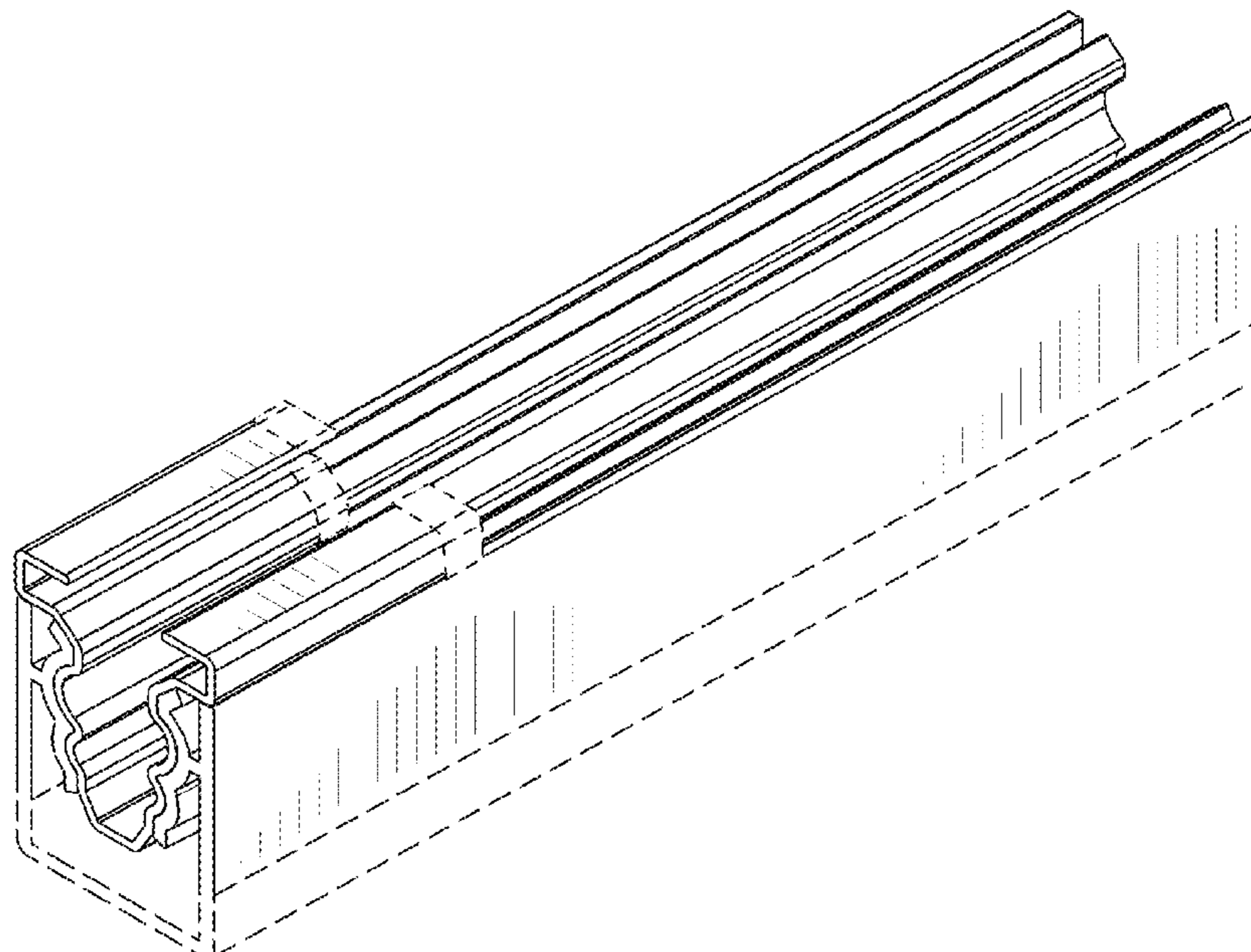
(56) **References Cited**

U.S. PATENT DOCUMENTS

5,954,300 A * 9/1999 Sturies F16L 3/20
248/68.1
D429,001 S * 8/2000 Benz D25/60

The broken lines in the figures depict environment and
portions of the assembly that form no part of the claimed
design.

1 Claim, 6 Drawing Sheets



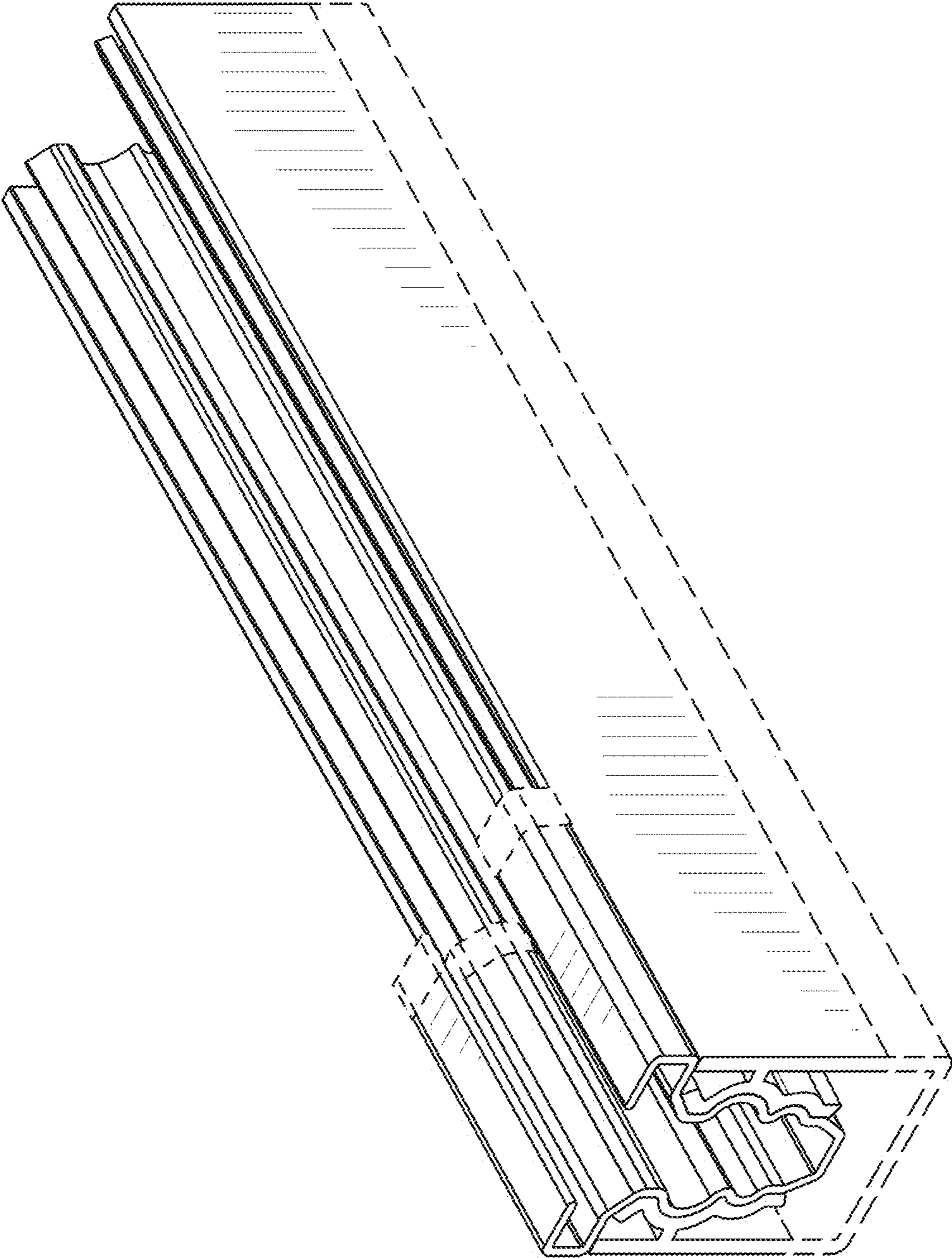


FIG. 1

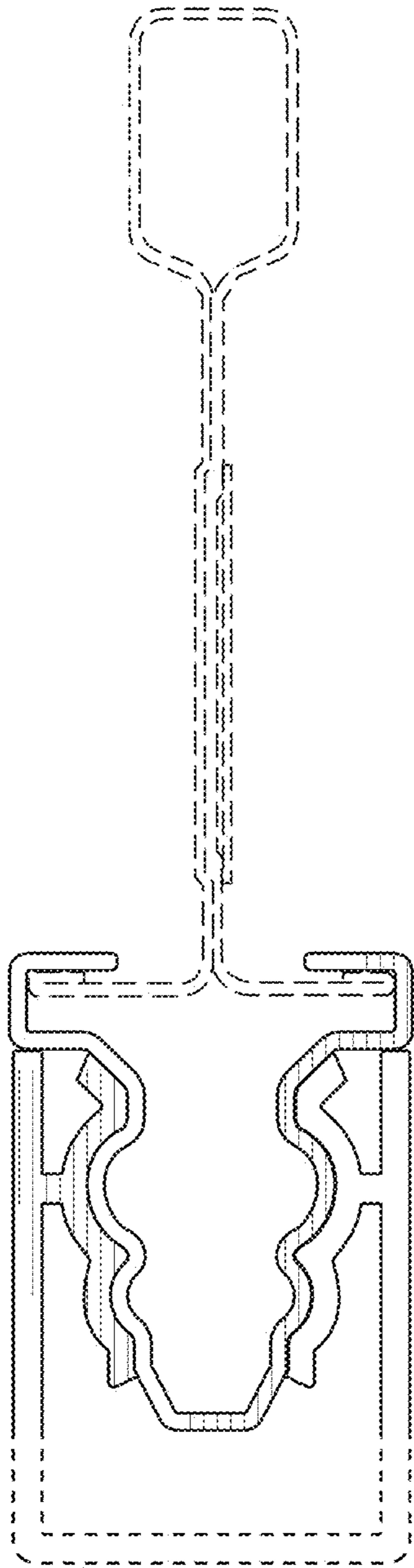


FIG. 2

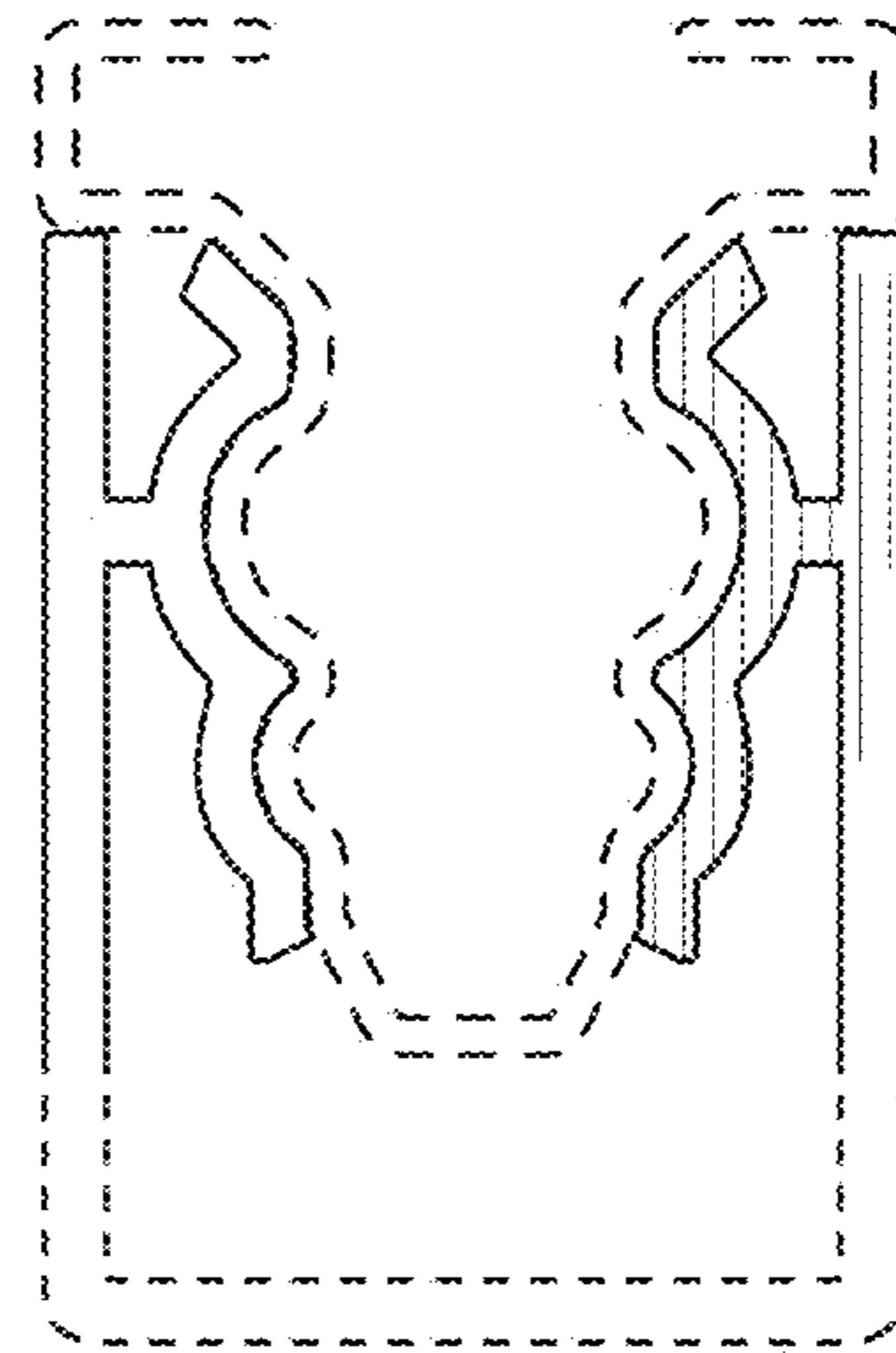


FIG. 3

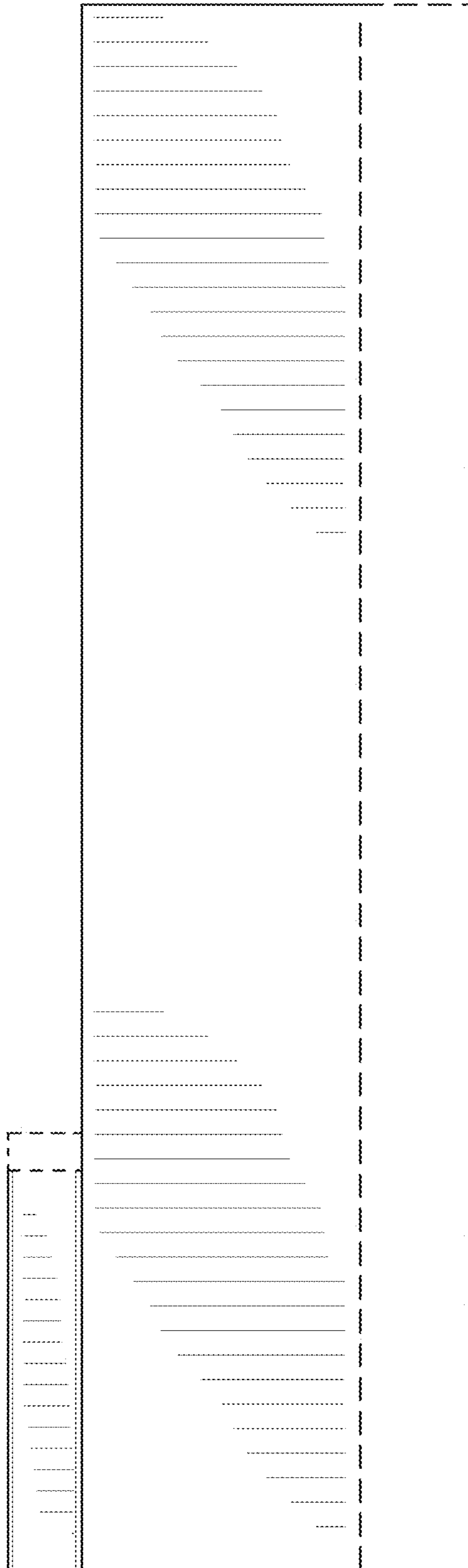


FIG. 4

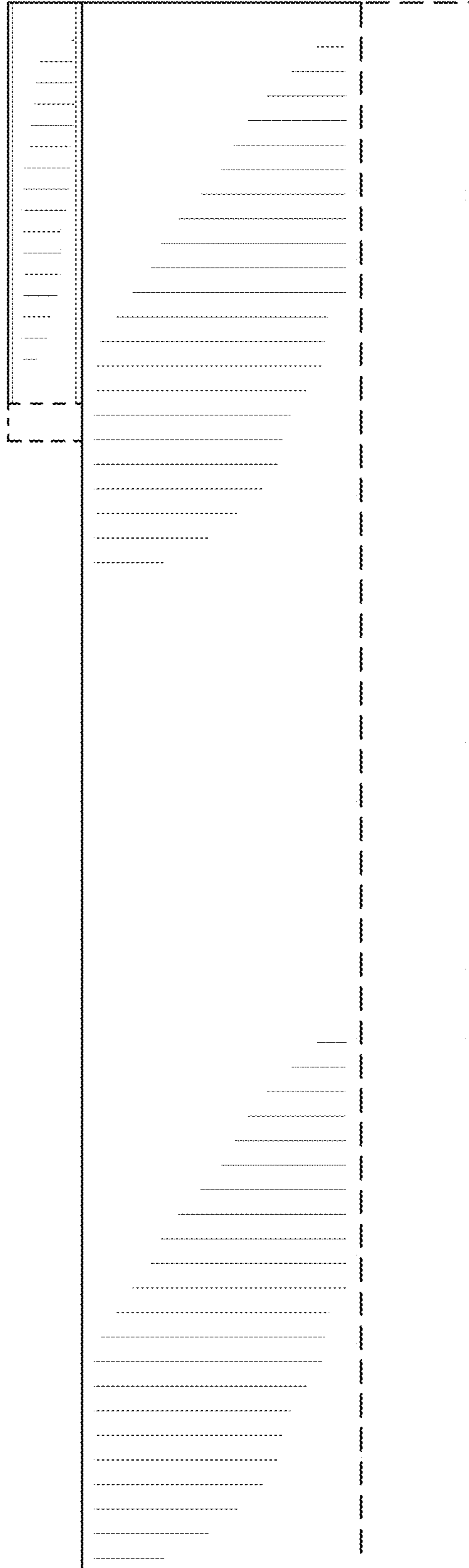


FIG. 5

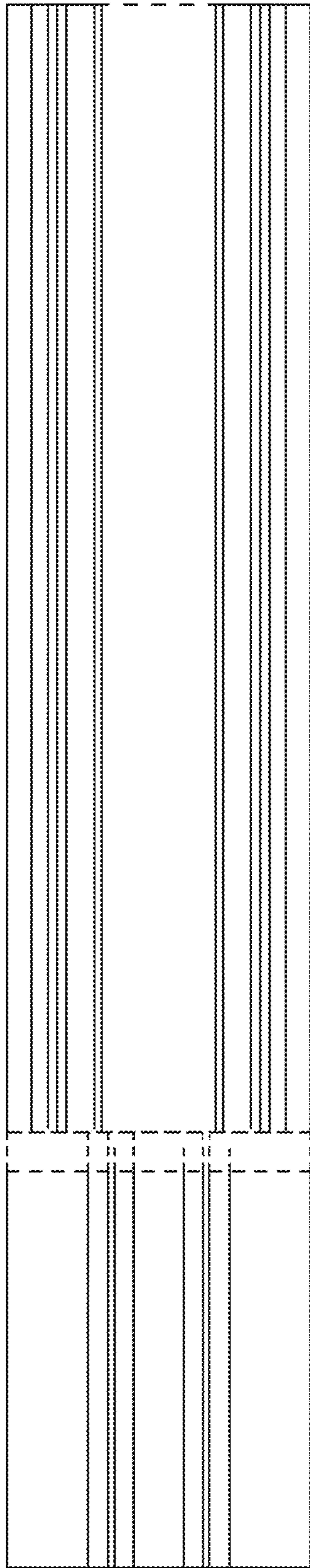


FIG. 6

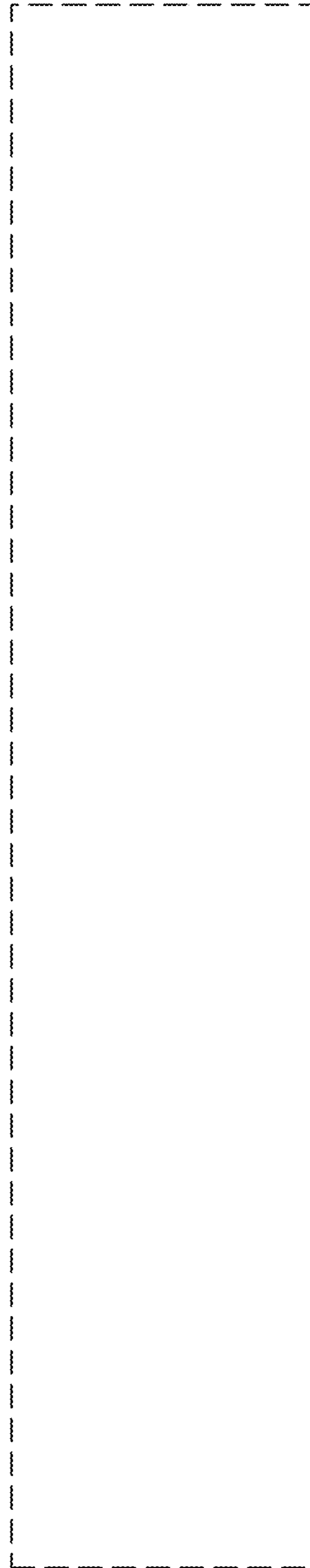


FIG. 7

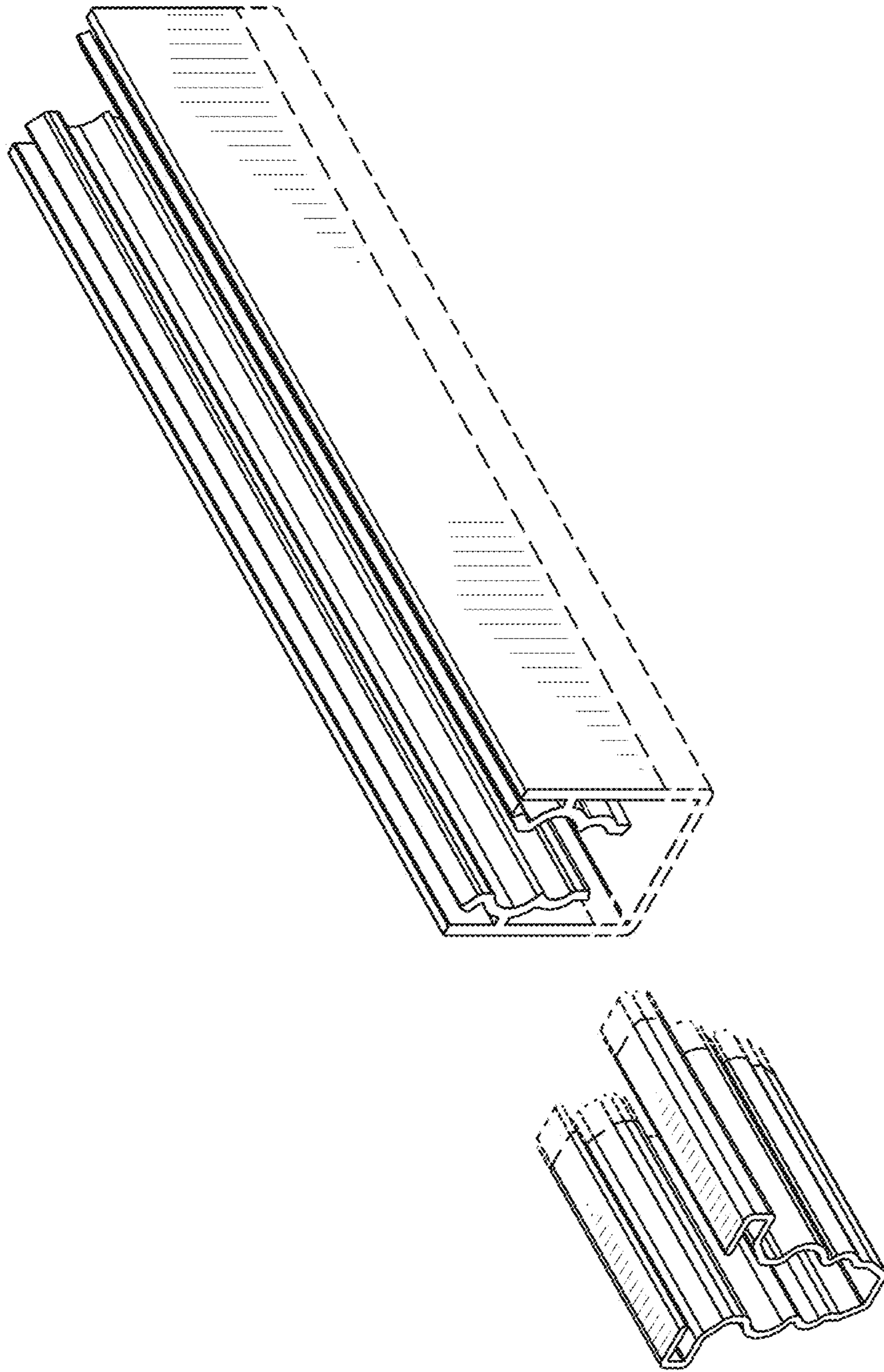


FIG. 8

UNITED STATES PATENT AND TRADEMARK OFFICE
CERTIFICATE OF CORRECTION

PATENT NO. : D873,652 S
APPLICATION NO. : 29/693025
DATED : January 28, 2020
INVENTOR(S) : Kim Dupont-Madinier et al.

Page 1 of 1

It is certified that error appears in the above-identified patent and that said Letters Patent is hereby corrected as shown below:

On the Title Page

Item (63), Line 1, Delete "Continuation of application" and insert --Division of application--

Signed and Sealed this
First Day of March, 2022



Drew Hirshfeld
*Performing the Functions and Duties of the
Under Secretary of Commerce for Intellectual Property and
Director of the United States Patent and Trademark Office*