



US00D873651S

(12) **United States Design Patent** (10) **Patent No.:** **US D873,651 S**
Bancroft et al. (45) **Date of Patent:** **** Jan. 28, 2020**

(54) **PIPE COUPLING**
(71) Applicant: **Victaulic Company**, Easton, PA (US)
(72) Inventors: **Philip W. Bancroft**, Belvidere, NJ (US); **Matthew K. Huettemann**, Allentown, PA (US); **Joseph C. Ramirez**, Breinigsville, PA (US)
(73) Assignee: **Victaulic Company**, Easton, PA (US)

D577,423 S 9/2008 Dole
D583,444 S 12/2008 Nagle
D583,914 S * 12/2008 Pierce D23/262
D587,349 S 2/2009 Madara
D597,635 S 8/2009 Dole
D602,127 S * 10/2009 Shah D23/262
D605,734 S * 12/2009 Henry D23/262
D605,736 S * 12/2009 Porter D23/262
D607,549 S * 1/2010 Shah D23/262

(Continued)

(**) Term: **15 Years**
(21) Appl. No.: **29/643,418**
(22) Filed: **Apr. 9, 2018**

FOREIGN PATENT DOCUMENTS

KR 300905015.0000 * 5/2017

OTHER PUBLICATIONS

Victaulic Pipe Fitting QuickVic Coupling, <https://www.ebay.com/p/Victaulic-Pipe-Fitting-QuickVic-Coupling-107N-2-or-60-3mm/1975761331?iid=311808129873&chn=ps>, site visited Apr. 15, 2019.*

(Continued)

Related U.S. Application Data

(62) Division of application No. 29/598,955, filed on Mar. 30, 2017, now Pat. No. Des. 819,435.
(51) **LOC (12) Cl.** **08-08**
(52) **U.S. Cl.**
USPC **D8/395**; D23/262
(58) **Field of Classification Search**
USPC D8/394-396, 71-72, 79, 367;
D23/259-265; D6/217; D13/102
CPC H01L 31/042; A47H 1/00; A47H 1/16;
F41C 33/00; F41C 33/02; A45C 13/10
See application file for complete search history.

Primary Examiner — Eric L Goodman
Assistant Examiner — John R Yeh
(74) *Attorney, Agent, or Firm* — Ballard Spahr LLP

(57) **CLAIM**

We claim the ornamental design for a pipe coupling, as shown and described.

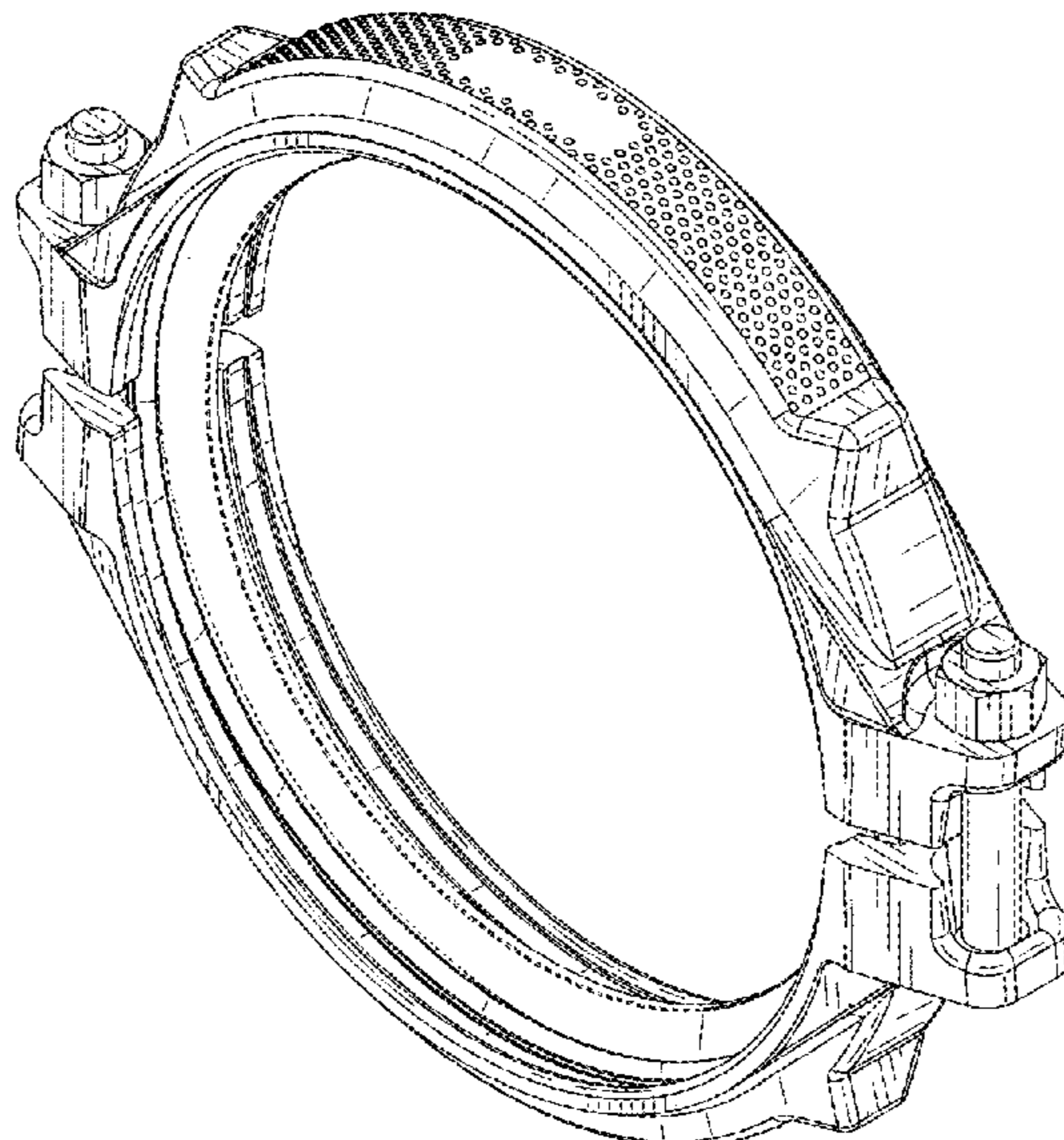
DESCRIPTION

FIG. 1 is an isometric view of our design for a pipe coupling; FIG. 2 is a front view thereof, the rear view being a mirror image thereof; FIG. 3 is a left side view thereof, the right side view being a mirror image thereof; FIG. 4 is a top view thereof; and, FIG. 5 is a bottom view thereof. The broken lines depict portions of the pipe coupling that form no part of the claimed design.

(56) **References Cited**
U.S. PATENT DOCUMENTS

D142,057 S 8/1945 Baxter
D189,229 S * 11/1960 Bowne D23/265
4,784,363 A 11/1988 Brown
D298,802 S 12/1988 Tekirian
5,058,931 A 10/1991 Bowsher
5,230,537 A 7/1993 Newman
D396,801 S 8/1998 Petty
D553,971 S 10/2007 Krueger
D568,970 S 5/2008 Gibb

1 Claim, 3 Drawing Sheets



(56)

References Cited

U.S. PATENT DOCUMENTS

D618,312 S * 6/2010 Madara D23/262
 D629,074 S 12/2010 Shah
 D629,075 S * 12/2010 Madara D23/262
 D629,076 S 12/2010 Madara
 D629,080 S * 12/2010 Dole D23/262
 D629,496 S 12/2010 Madara
 D633,600 S * 3/2011 Madara D23/262
 D636,470 S * 4/2011 Dole D23/262
 D651,290 S * 12/2011 Shah D23/262
 D653,103 S 1/2012 Tomasi
 D680,630 S * 4/2013 Beagen, Jr. D23/262
 D681,440 S 5/2013 Yu
 D692,294 S 10/2013 Koeniger
 D755,621 S 5/2016 Madara
 D756,212 S * 5/2016 Wilk, Jr. D23/262
 D756,612 S 5/2016 Broderick
 9,361,746 B2 6/2016 Otzen

D767,103 S * 9/2016 Sewell D23/262
 D769,384 S * 10/2016 Altemus, Jr. D21/753
 D805,888 S 12/2017 De Los Santos
 D813,025 S * 3/2018 Yesavage D8/395
 D836,184 S * 12/2018 Lippka D23/262
 D839,399 S * 1/2019 Lippka D23/262
 2004/0036291 A1 2/2004 Dole
 2005/0242585 A1 11/2005 Dole
 2015/0369405 A1 12/2015 Vandal
 2016/0186902 A1* 6/2016 Lee F16L 21/06
 285/420

OTHER PUBLICATIONS

Swivel Duo Purpose I-Bolt Clamp, https://www.scaffoldexpress.com/...0ARIsAAcYycFh9wJh1Y-p_fBnsgetBFJUsGzAdWN3ydaKj17hGKZ7UJ-hMUOtK6waAgixEALw_wcB, site visited Mar. 29, 2019.*

* cited by examiner

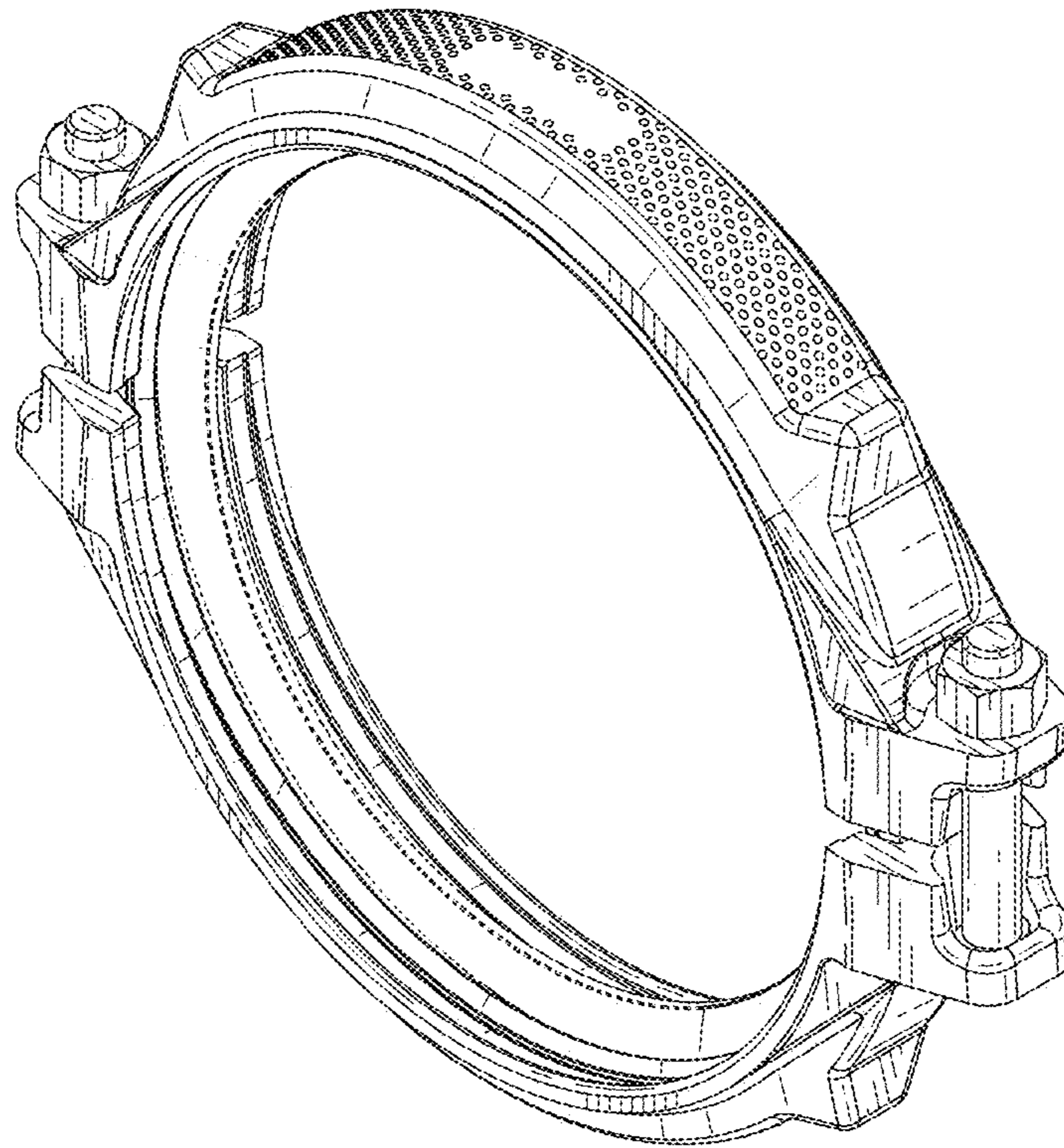


FIG. 1

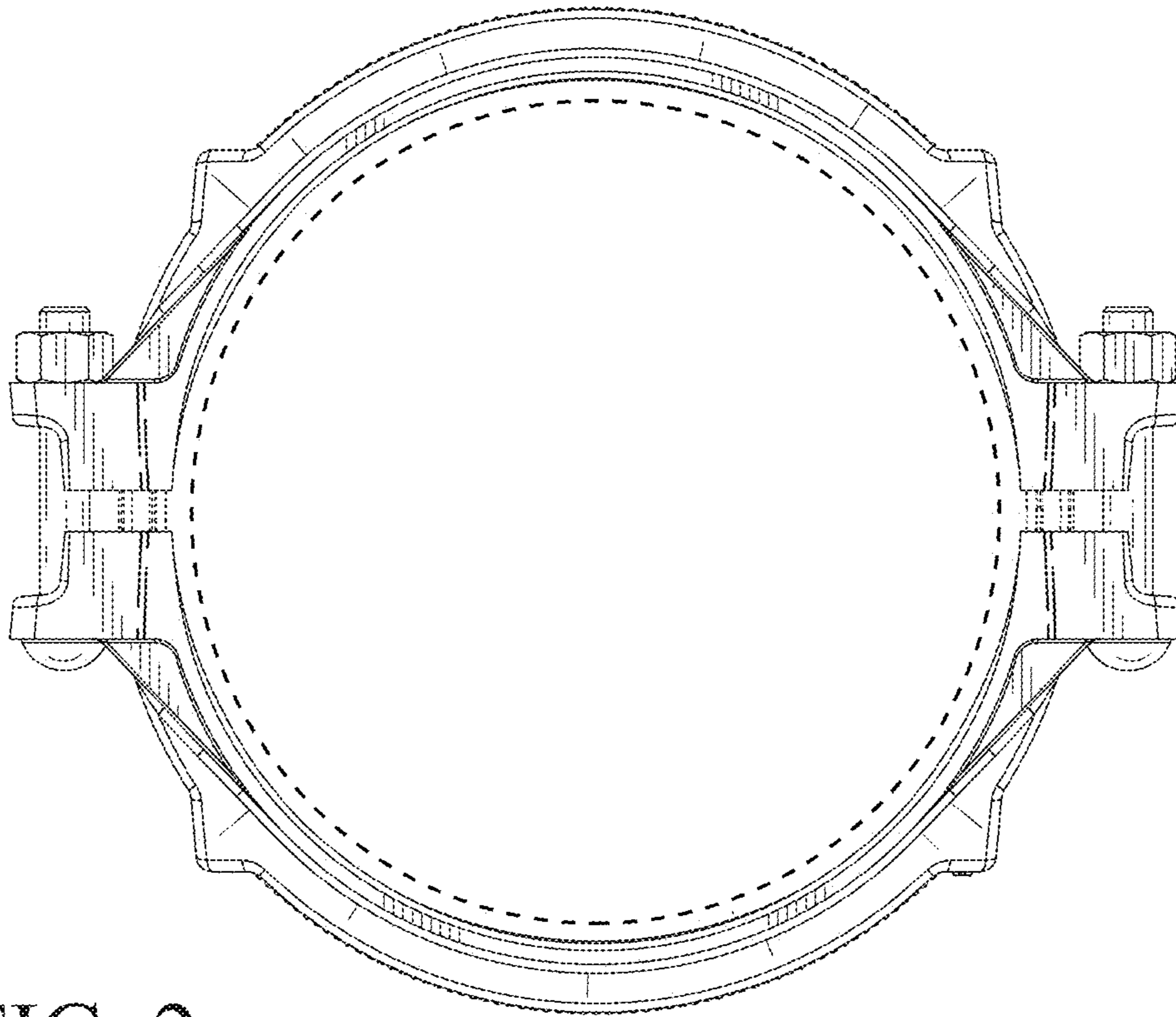


FIG. 2

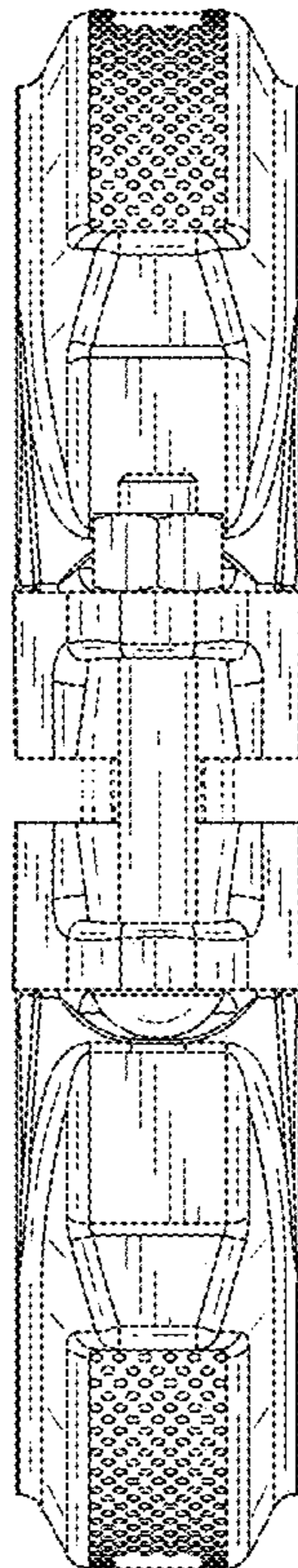


FIG. 3

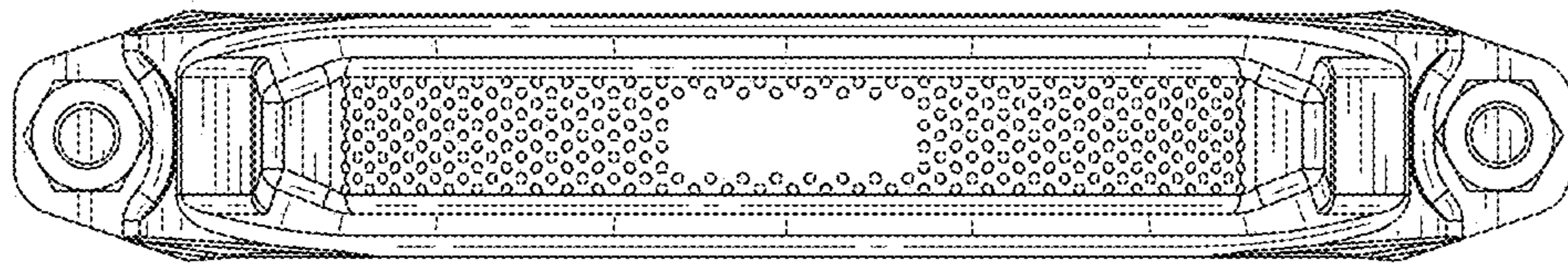


FIG. 4

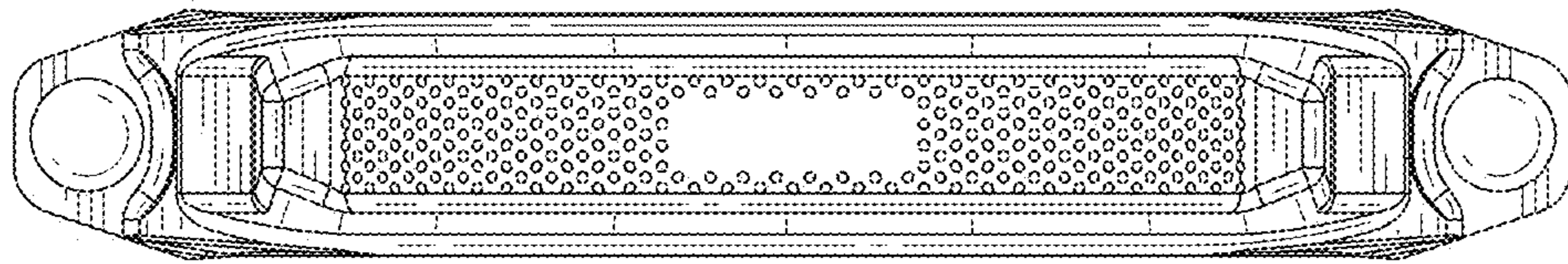


FIG. 5