



US00D873650S

(12) **United States Design Patent**
Brandt

(10) **Patent No.:** **US D873,650 S**

(45) **Date of Patent:** **** Jan. 28, 2020**

(54) **TARGET MOUNT**
(71) Applicant: **Ryan David Brandt**, Saint Marys, OH
(US)
(72) Inventor: **Ryan David Brandt**, Saint Marys, OH
(US)

(**) Term: **15 Years**

(21) Appl. No.: **29/667,064**

(22) Filed: **Oct. 18, 2018**

(51) **LOC (12) Cl.** **08-08**

(52) **U.S. Cl.**
USPC **D8/382; D22/113**

(58) **Field of Classification Search**
USPC D8/349, 354, 367, 373, 380, 382, 499;
D22/113, 199; D11/200, 210
CPC F41J 1/00; F41J 1/01; F41J 1/10; F41J
3/0004; F41J 3/0014; F41J 3/0019; F41J
3/0061; F41J 7/00; F41J 7/02; F41J 7/04;
F16B 7/0426; F16B 7/042; F16B 7/048;
F16B 12/26; F16B 21/09; F16L 3/221;
F16M 13/005; Y10T 403/7007
See application file for complete search history.

(56) **References Cited**

U.S. PATENT DOCUMENTS

1,775,391 A * 9/1930 Fassinger F16L 3/221
248/73
2,260,048 A * 10/1941 Newell H01B 17/16
411/552
2,355,196 A * 8/1944 Zahodiakin F16B 5/10
411/349
3,986,780 A * 10/1976 Nivet F16B 21/02
403/353
4,337,614 A * 7/1982 Briscoe F16G 15/06
411/518
4,619,549 A * 10/1986 Gilbreth E04G 7/301
182/178.5

4,645,392 A * 2/1987 Takaguchi B60P 7/132
248/499
5,370,488 A * 12/1994 Sykes F16B 21/02
411/551
5,604,958 A * 2/1997 Anscher A45C 7/0086
224/197
D450,561 S * 11/2001 Moore D11/200
6,418,759 B1 * 7/2002 Zeren E05B 73/0005
70/14
6,755,056 B2 * 6/2004 Igelmund E05B 73/0005
248/499
D533,076 S * 12/2006 Awbrey D9/719
7,661,215 B2 * 2/2010 Okamoto G09F 7/06
40/620

(Continued)

Primary Examiner — Sandra S Snapp
Assistant Examiner — Ieisha N Price
(74) *Attorney, Agent, or Firm* — Dunlap Bennett &
Ludwig PLLC

(57) **CLAIM**

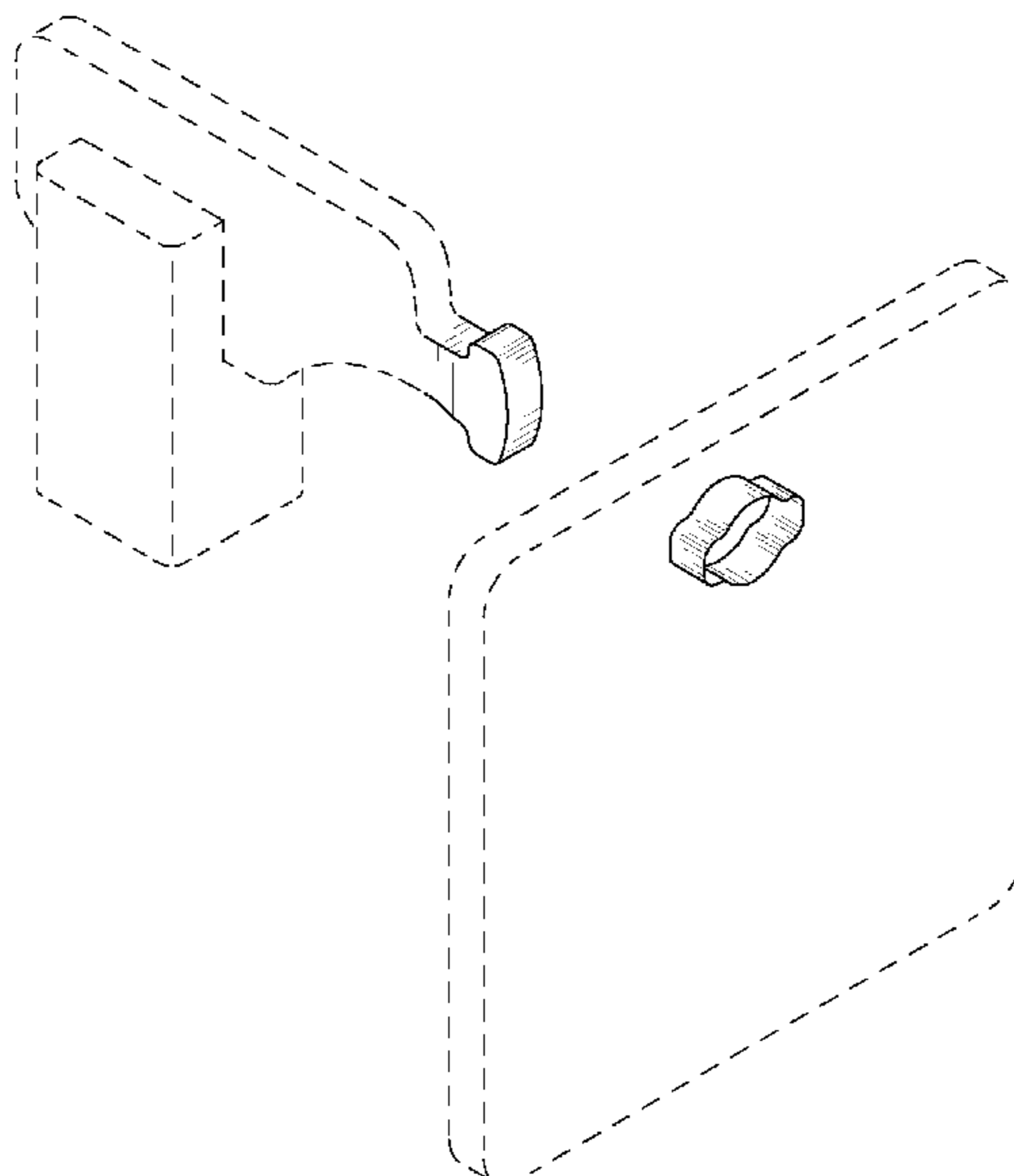
The ornamental design for a target mount, as shown and described.

DESCRIPTION

FIG. 1 is a top perspective view of a target mount;
FIG. 2 is a right side elevation view thereof, the left side
elevation view being a mirror image thereof;
FIG. 3 is a top plan view thereof;
FIG. 4 is a bottom plan view thereof;
FIG. 5 is a front elevation view thereof showing the target
mount in an alternate position for ease of illustration;
FIG. 6 is a rear elevation view thereof showing the target
mount in an alternate position for ease of illustration; and,
FIG. 7 is a top front perspective view thereof, shown in an
assembled configuration.

The broken lines shown in the drawings depict portions of
the target mount that form no part of the claimed invention.

1 Claim, 4 Drawing Sheets



(56)

References Cited

U.S. PATENT DOCUMENTS

8,042,366 B2 * 10/2011 Mahaffey E05B 73/0005
403/360
D679,170 S * 4/2013 Else D8/349
D695,600 S * 12/2013 Fujioka D8/382
D729,041 S * 5/2015 Smith D8/349
D794,435 S * 8/2017 Ash D8/366
D822,458 S * 7/2018 Campbell D8/354
10,030,944 B1 * 7/2018 Miller F41J 1/10
2001/0036392 A1 * 11/2001 Reddicliffe F16B 19/00
411/349
2004/0190987 A1 * 9/2004 Yang E04B 2/7425
403/348
2007/0074547 A1 * 4/2007 Wu E05B 73/0082
70/58
2013/0114998 A1 * 5/2013 Naber A47B 57/50
403/345
2016/0209184 A1 * 7/2016 Anderson F41J 7/04
2016/0258720 A1 * 9/2016 Cote F41J 1/10
2017/0343324 A1 * 11/2017 Fernandez F41J 7/00
2018/0051735 A1 * 2/2018 Stenyakin F16B 21/02
2018/0087880 A1 * 3/2018 Fernandez F41J 7/04
2018/0340759 A1 * 11/2018 Brune F41J 7/04
2019/0249963 A1 * 8/2019 Pendleton F41J 7/04

* cited by examiner

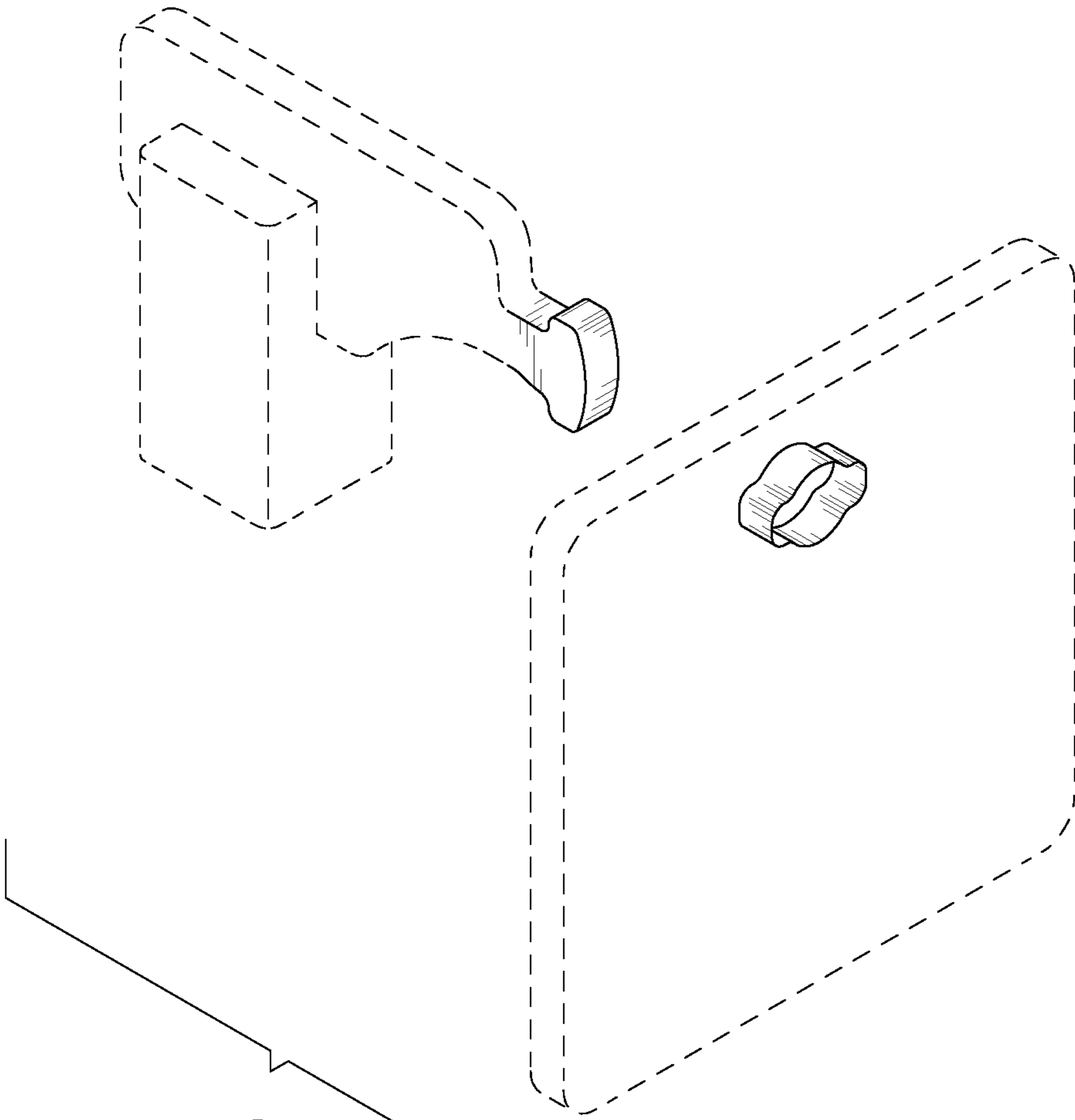
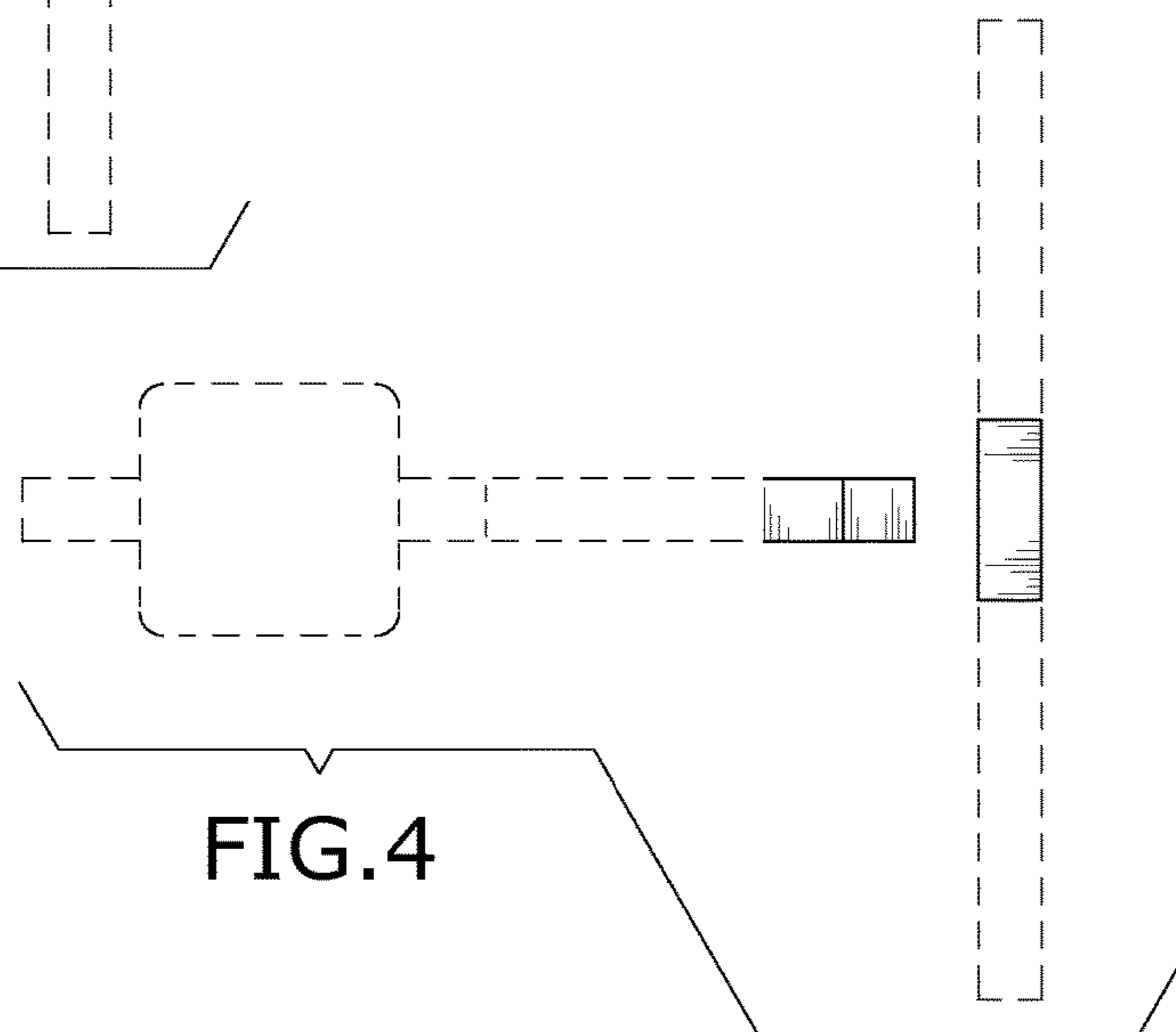
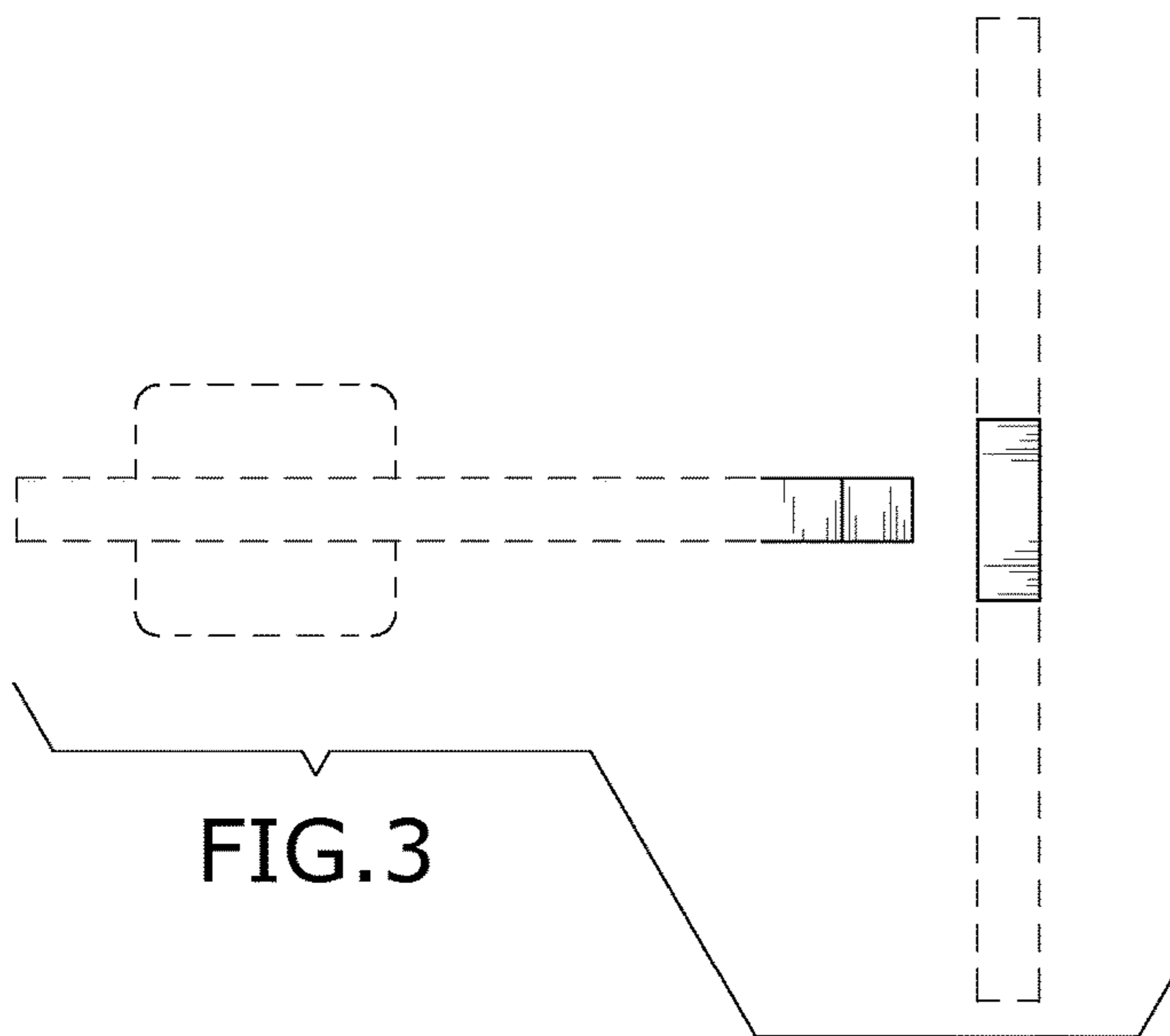
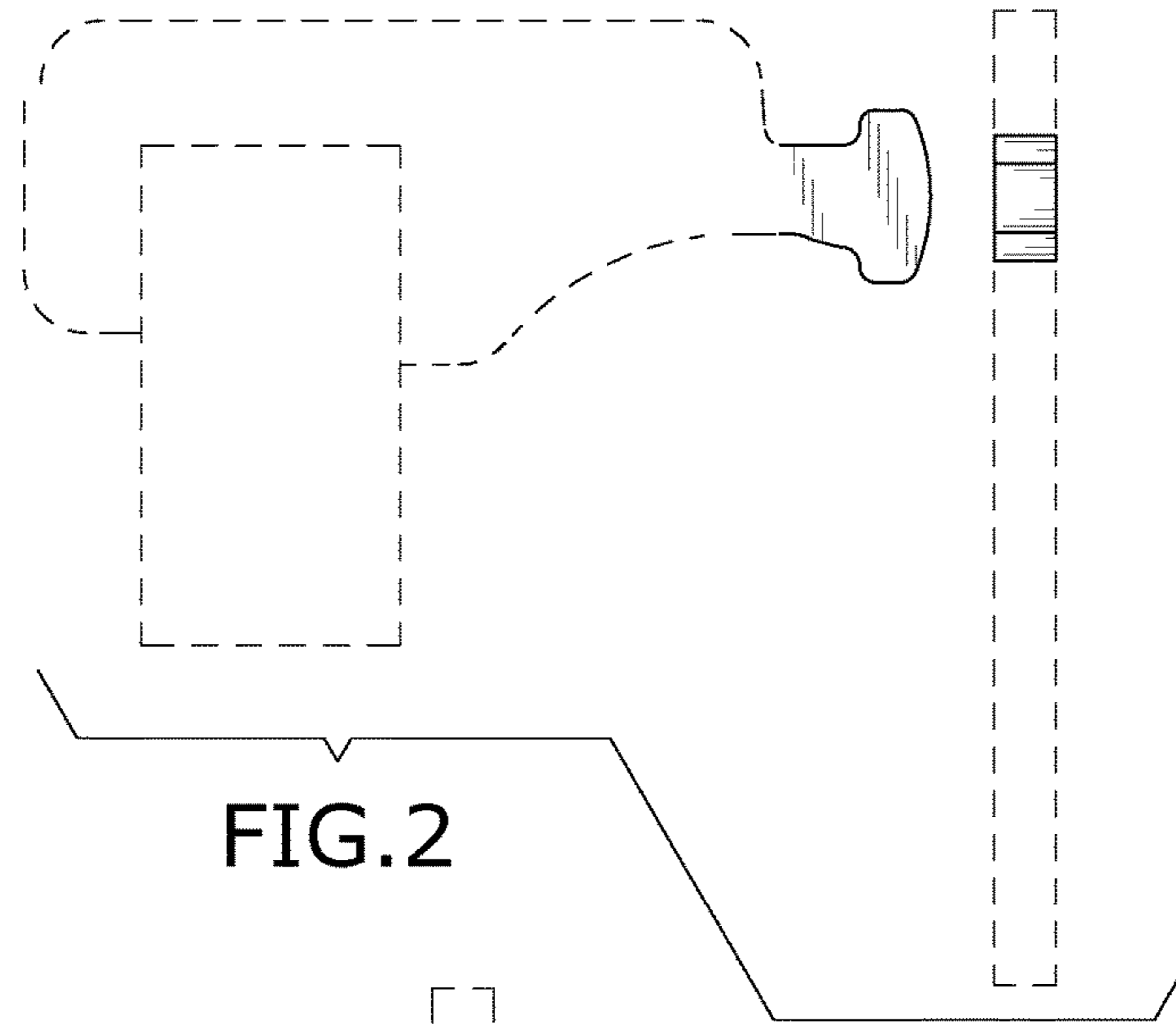


FIG. 1



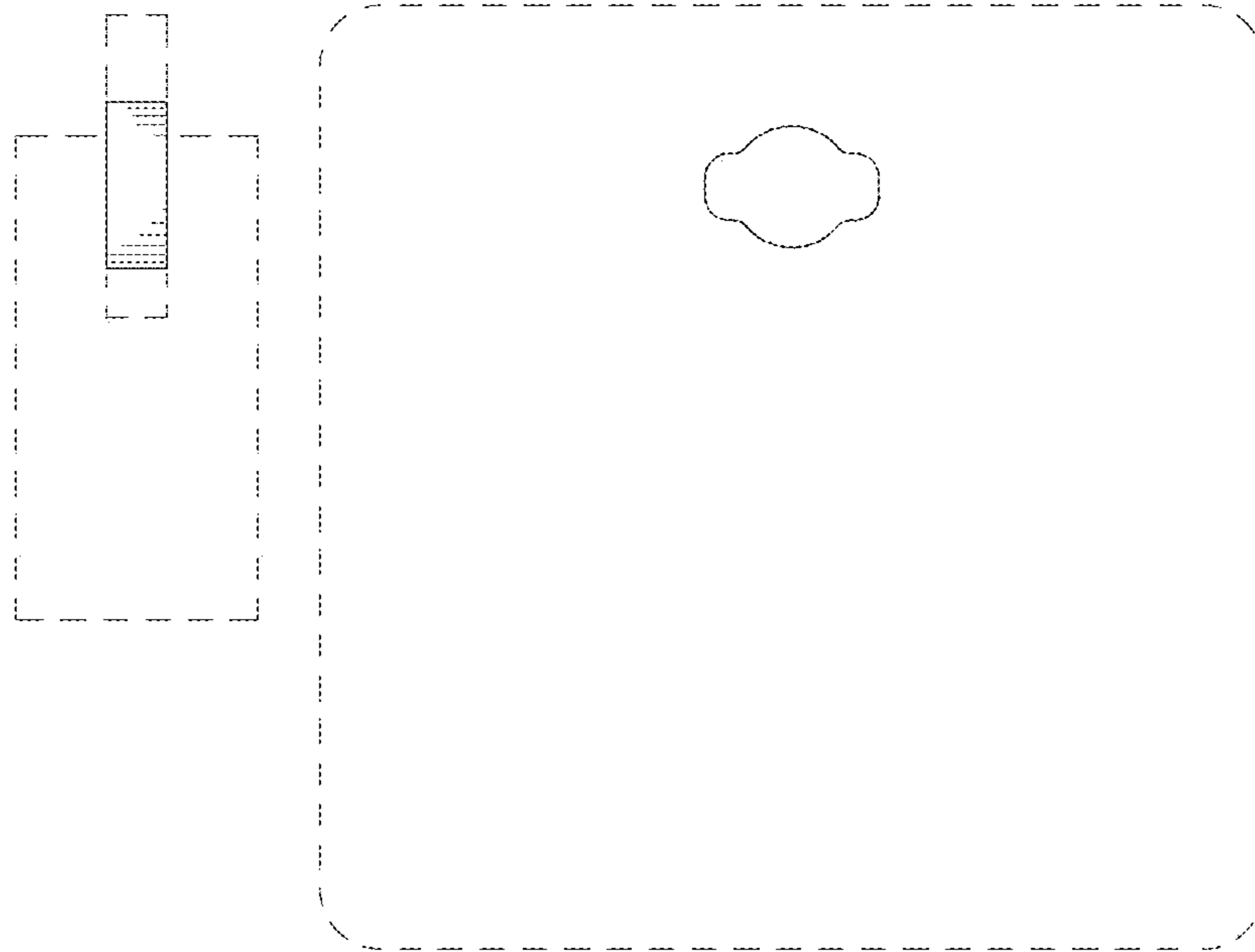


FIG. 5

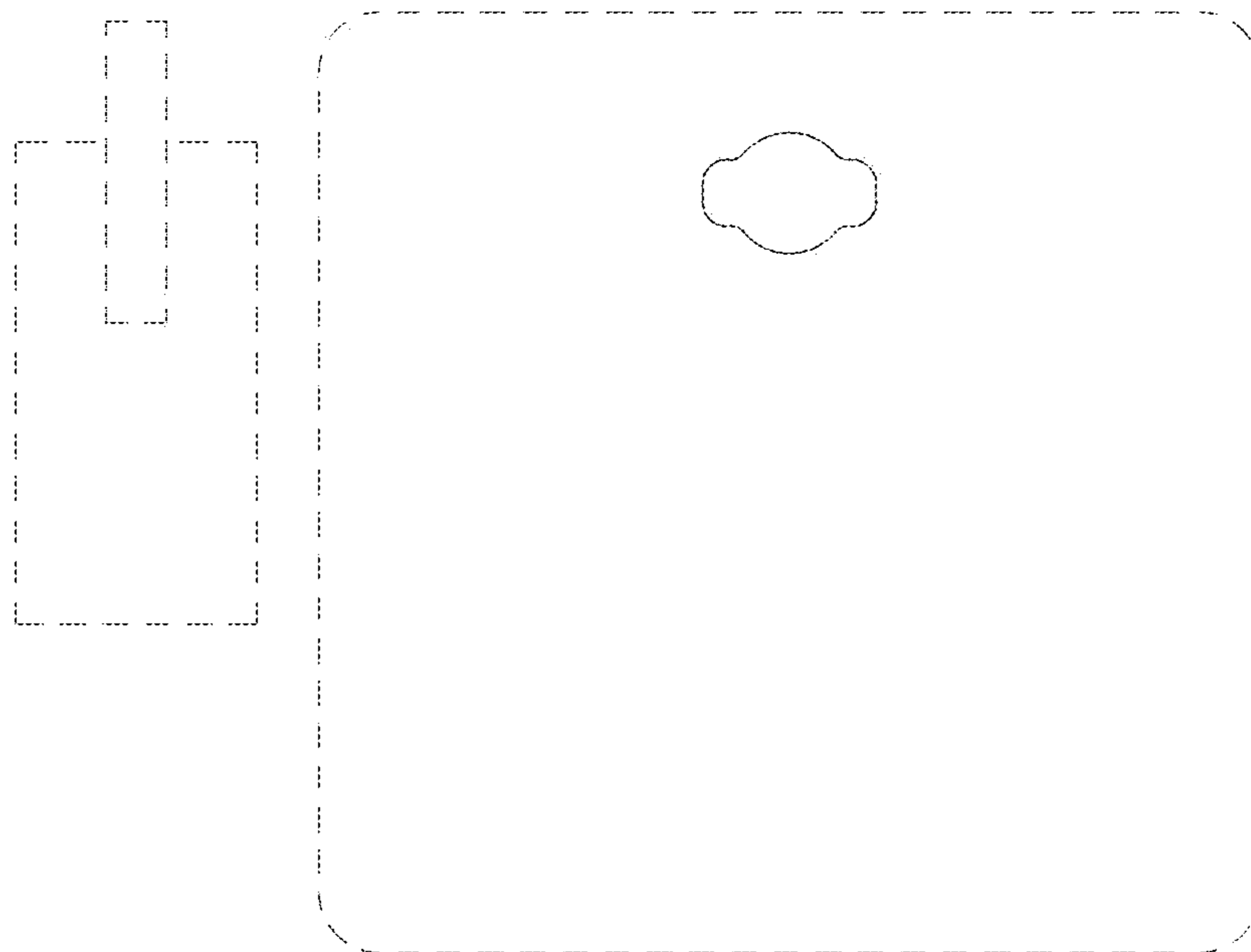


FIG. 6

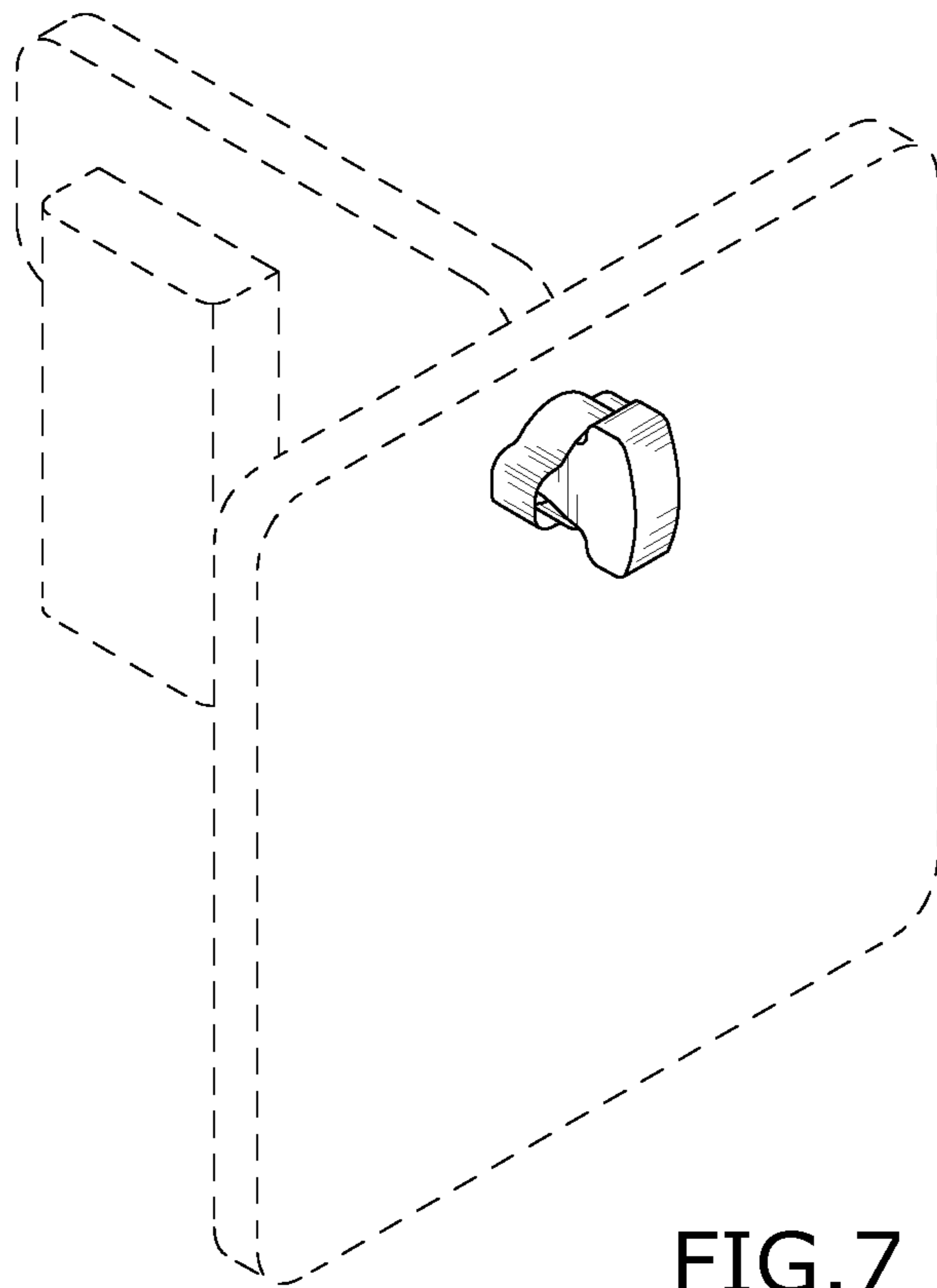


FIG. 7