



US00D873649S

(12) **United States Design Patent** (10) **Patent No.:** **US D873,649 S**  
**Merten et al.** (45) **Date of Patent:** **\*\* Jan. 28, 2020**

(54) **POWERED APPLIANCE SUPPORT STRAP**  
(71) Applicant: **M Group, Inc.**, Manitowoc, WI (US)  
(72) Inventors: **David J. Merten**, Manitowoc, WI (US);  
**Jay Z. Muchin**, Manitowoc, WI (US);  
**Joshua J. Nelson**, Phoenix, AZ (US)  
(73) Assignee: **M Group, Inc.**, Manitowoc, WI (US)  
(\*\*) Term: **15 Years**  
(21) Appl. No.: **29/664,507**  
(22) Filed: **Sep. 26, 2018**  
(51) **LOC (12) Cl.** ..... **09-06**  
(52) **U.S. Cl.**  
USPC ..... **D8/356**  
(58) **Field of Classification Search**  
USPC ..... D8/367, 356, 354, 349, 105, 380, 387;  
24/599.9  
CPC ..... B65H 57/16; B63B 21/045; F16B 45/02;  
F16B 45/00; F16B 7/042; H02J 7/0026;  
A63B 27/00; A63B 29/00  
See application file for complete search history.

D811,859 S 3/2018 Orser  
D823,671 S 7/2018 Rothbaum et al.  
D829,128 S 9/2018 Webb  
D830,367 S 10/2018 Chang  
D830,495 S 10/2018 Covington  
D831,356 S 10/2018 Ryan  
D839,084 S \* 1/2019 Mikoska ..... D8/356  
D839,719 S \* 2/2019 Burrell ..... D8/356  
D848,822 S \* 5/2019 Cooper ..... D8/356  
D856,119 S \* 8/2019 McGugan ..... D8/356  
2001/0045485 A1 \* 11/2001 Bregenzer ..... B65H 75/06  
242/405.2  
2005/0251967 A1 11/2005 McNeill

(Continued)

*Primary Examiner* — Cynthia R Underwood  
(74) *Attorney, Agent, or Firm* — Rathe Lindenbaum LLP

(57) **CLAIM**

We claim the ornamental design for a powered appliance support strap, as shown and described.

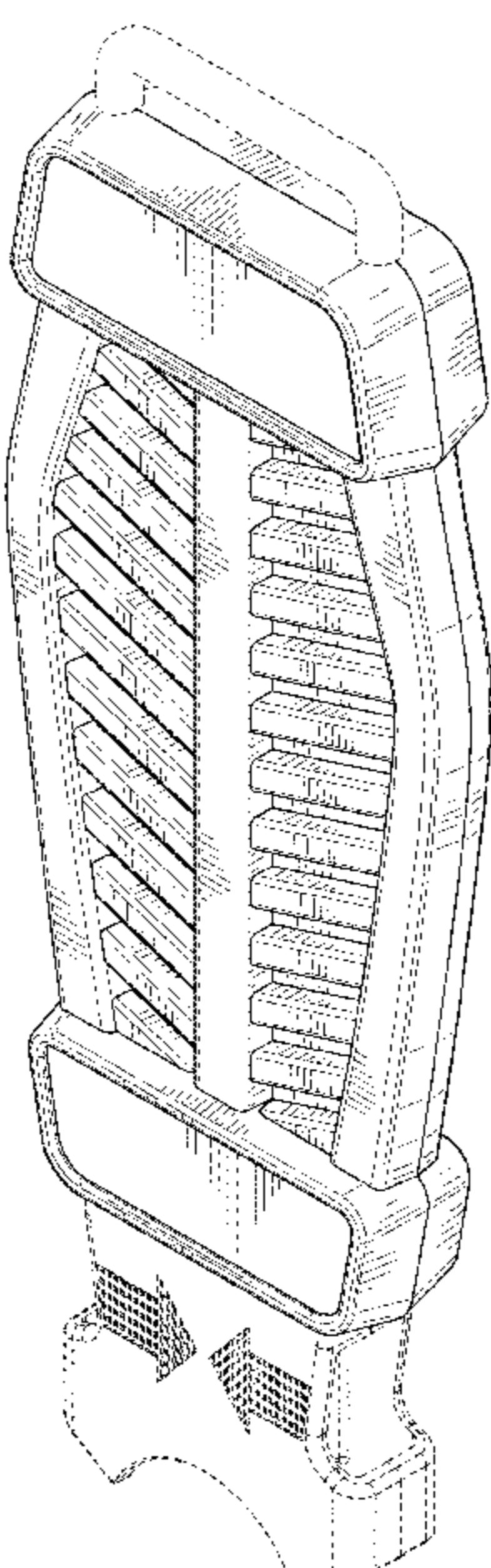
**DESCRIPTION**

FIG. 1 is a front perspective view of a powered appliance support strap connected to an example shoulder strap;  
FIG. 2 is a front perspective view of the powered appliance support strap of FIG. 1;  
FIG. 3 is a rear perspective view of the powered appliance support strap of FIG. 1;  
FIG. 4 is a front view thereof;  
FIG. 5 is a rear view thereof;  
FIG. 6 is a left side view thereof;  
FIG. 7 is a right side view thereof;  
FIG. 8 is a top view thereof; and,  
FIG. 9 is a bottom view thereof.

The broken lines represent portions of the structure that forms no part of the claim. The broken lines in the drawings comprise contour lines and form no part of the claimed design.

**1 Claim, 7 Drawing Sheets**

(56) **References Cited**  
U.S. PATENT DOCUMENTS  
D344,629 S 3/1994 Steffek et al.  
D480,946 S 10/2003 Estep, Jr.  
D517,902 S \* 3/2006 Peterson ..... D8/358  
D576,867 S \* 9/2008 Kretz ..... D8/356  
D618,359 S 6/2010 Einarsson  
D665,963 S 8/2012 Liljedahl  
D674,981 S 1/2013 Liljedahl  
D710,671 S \* 8/2014 Gonzalez ..... D8/105  
D732,933 S 6/2015 Jansen  
D753,470 S 4/2016 Paladino  
9,550,550 B1 1/2017 Housman  
D807,732 S \* 1/2018 Fretz ..... D8/356



(56)

**References Cited**

U.S. PATENT DOCUMENTS

2011/0101146 A1\* 5/2011 Bordignon ..... B65H 75/06  
242/405.2

\* cited by examiner

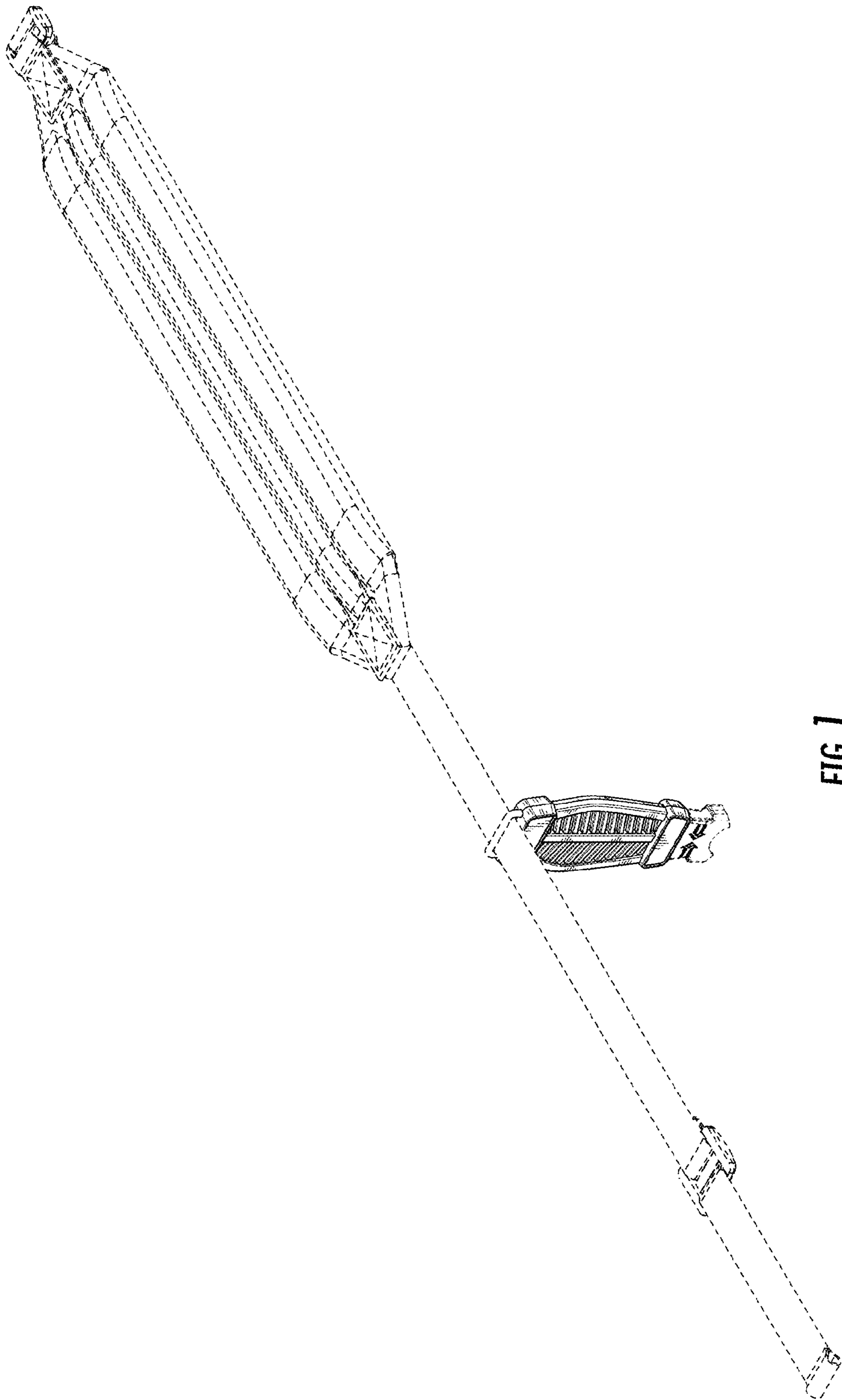


FIG. 1

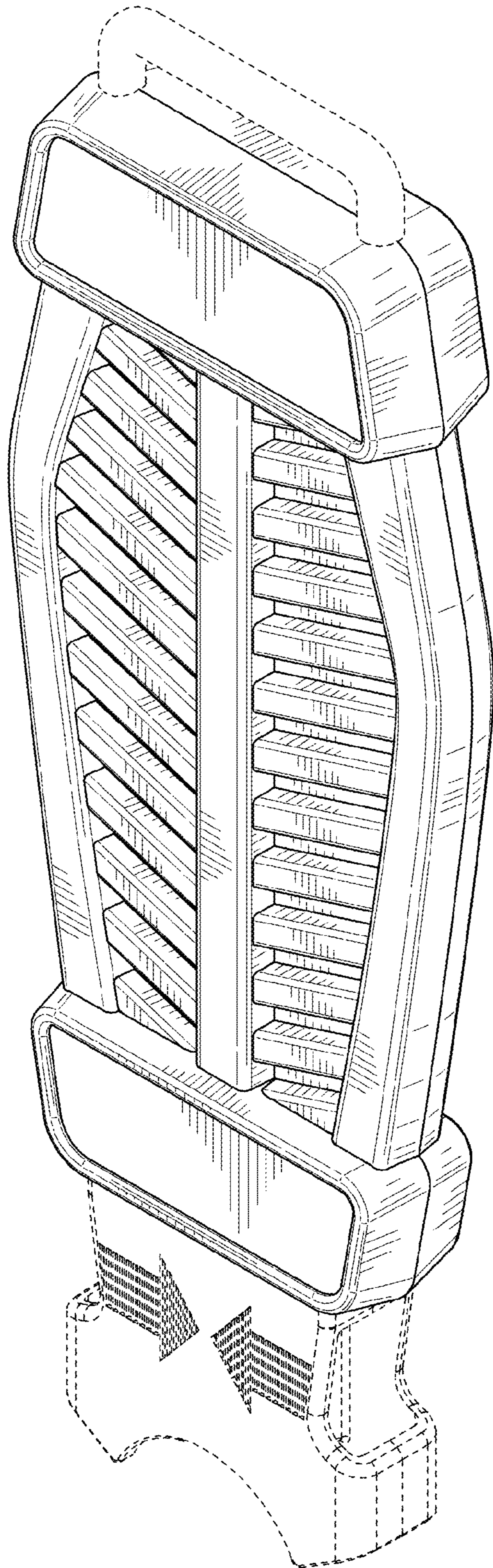


FIG. 2

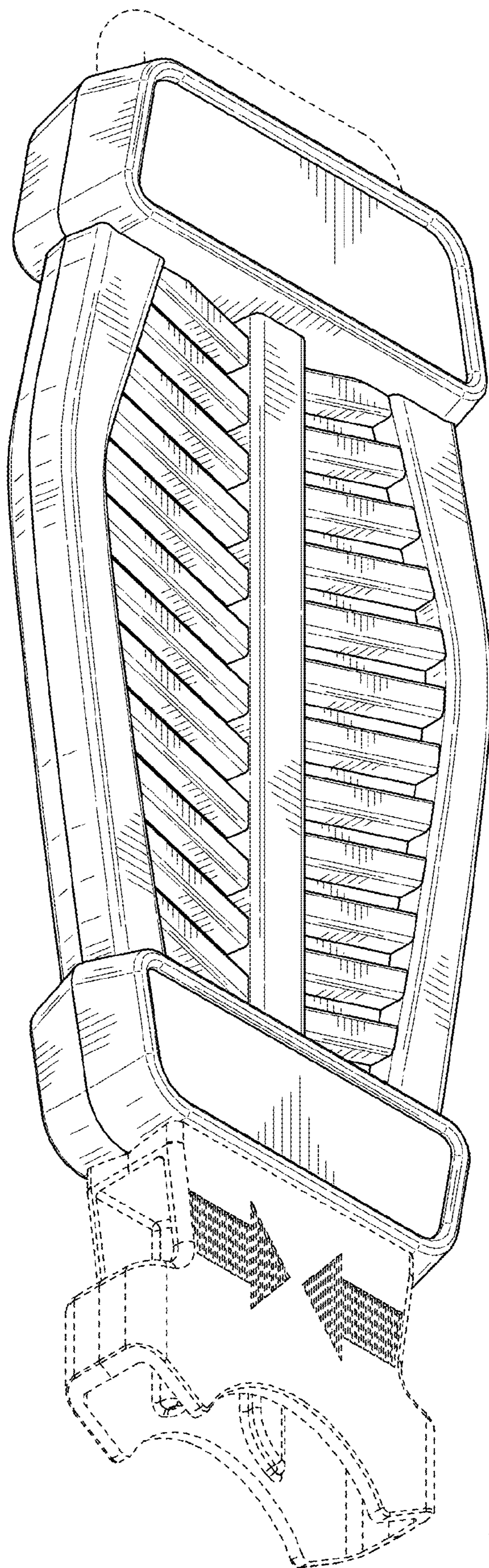


FIG. 3

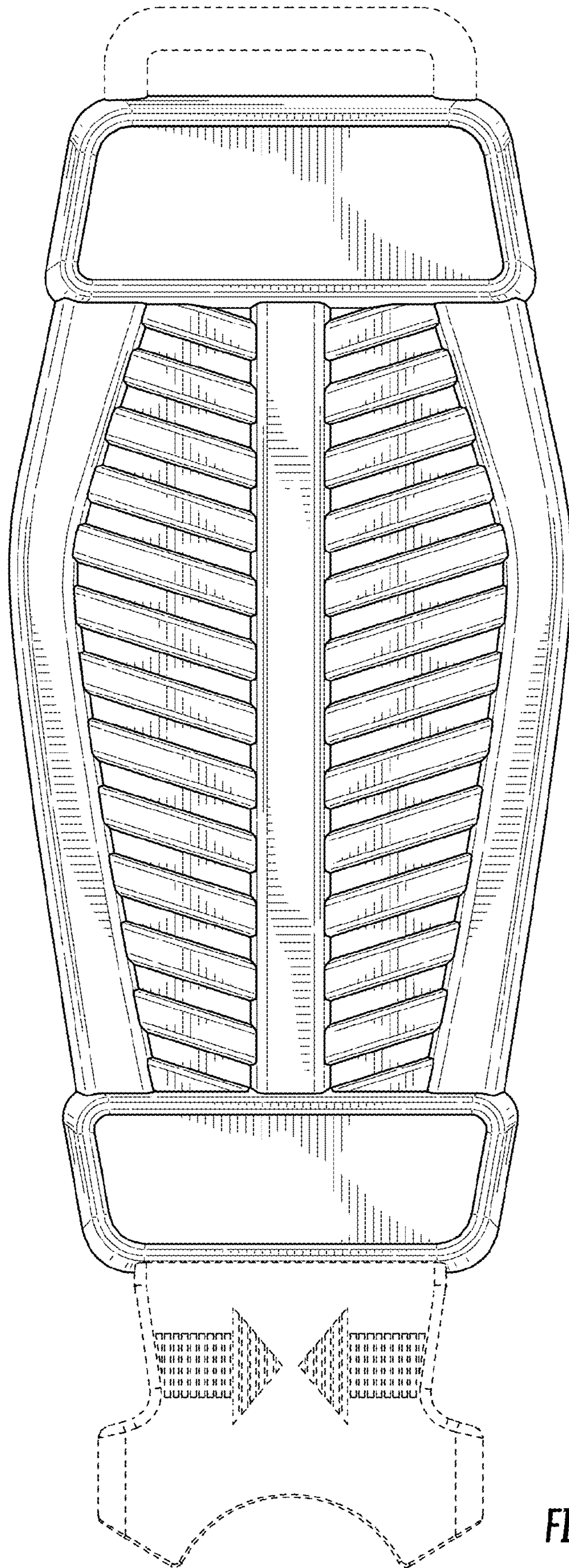


FIG. 4

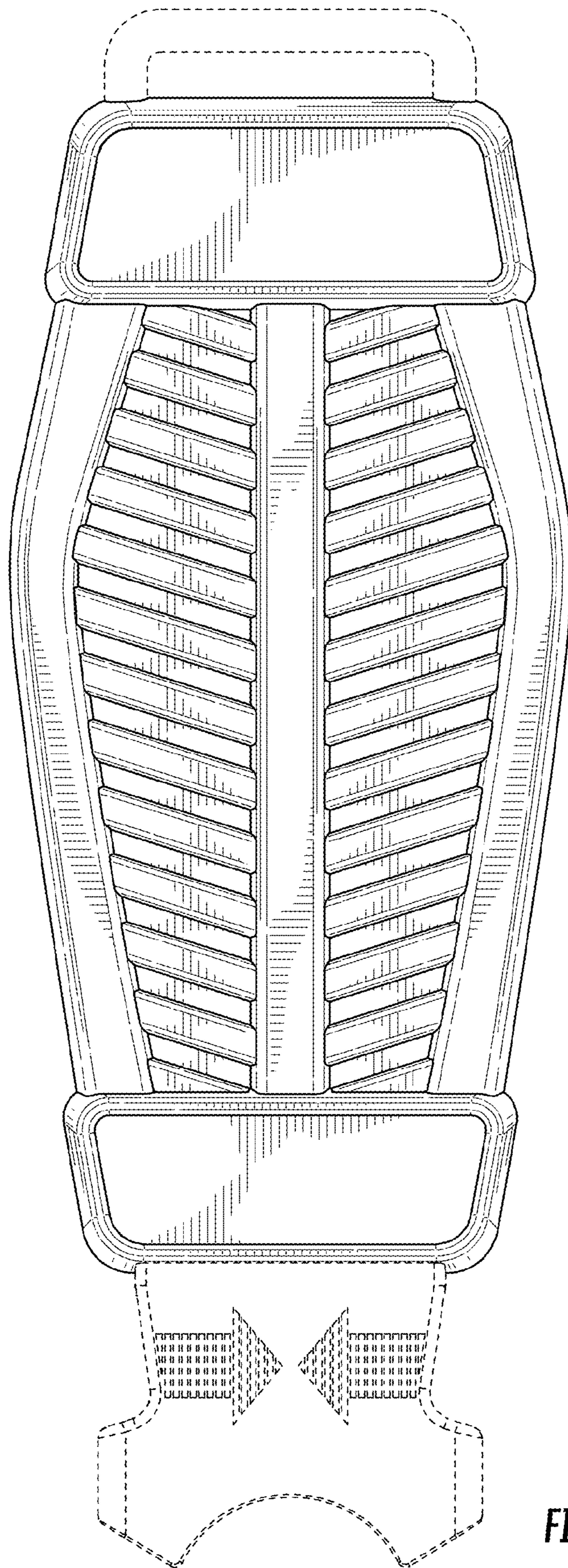
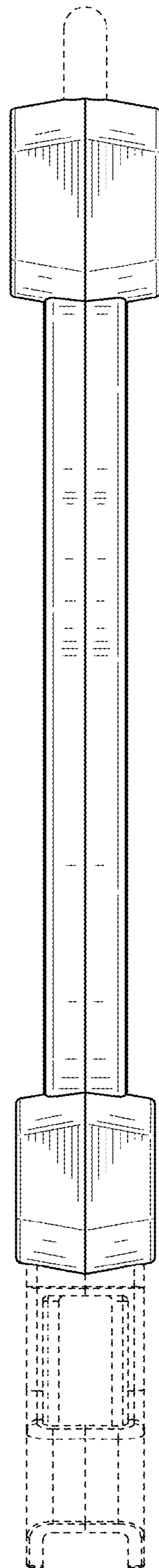
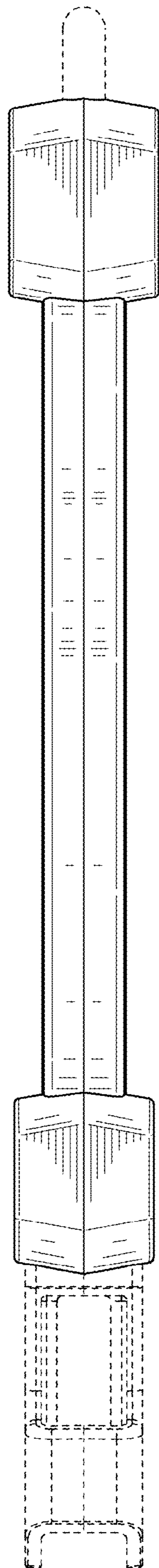
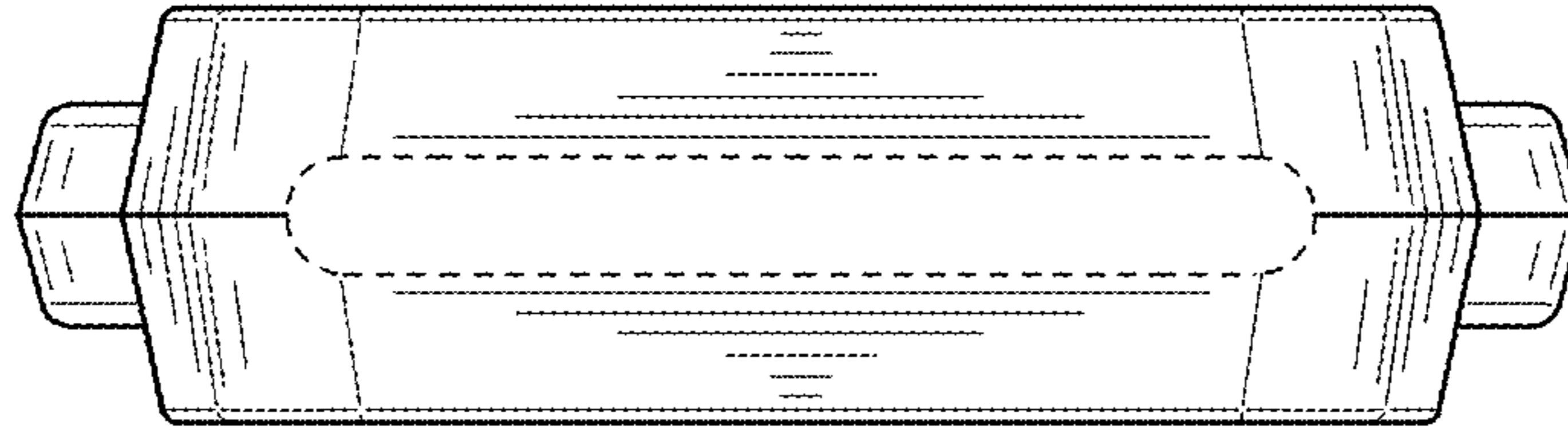


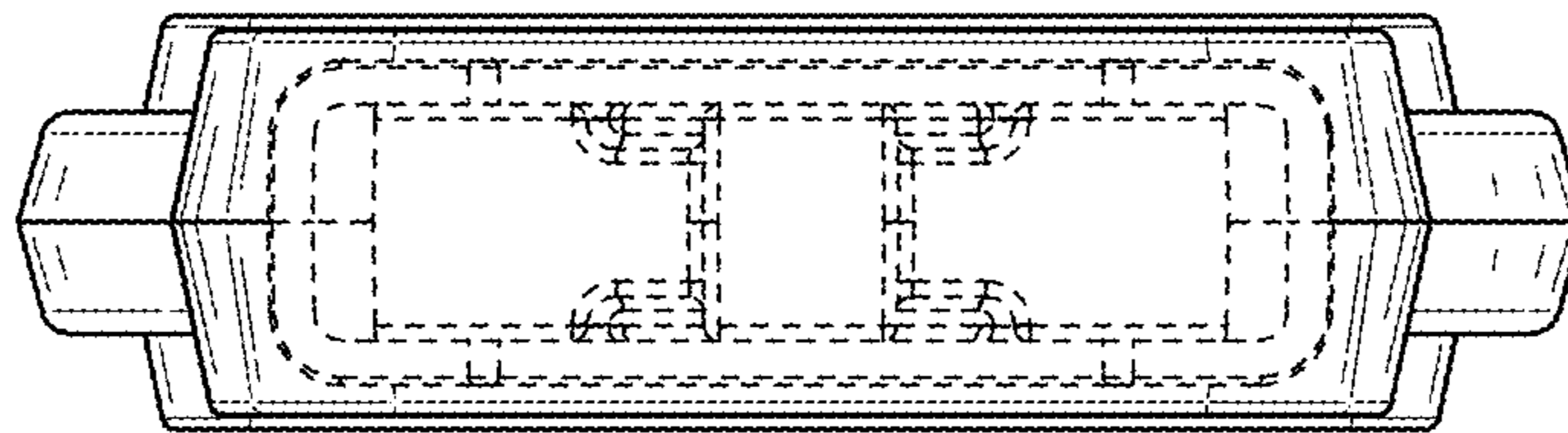
FIG. 5







**FIG. 8**



**FIG. 9**