



US00D873648S

(12) **United States Design Patent**
Lee et al.

(10) **Patent No.:** **US D873,648 S**
(45) **Date of Patent:** **** Jan. 28, 2020**

(54) **MONITOR BRACKET**

(71) Applicants: **DOOSAN INFRACORE CO., LTD.**,
Incheon (KR); **KUNYOUNG TECH.**
CO., LTD., Gyeongsangnam-do (KR)

(72) Inventors: **Jae-Dong Lee**, Incheon (KR);
Yong-Min Kim, Gyeongsangnam-do
(KR)

(73) Assignees: **DOOSAN INFRACORE CO., LTD.**,
Incheon (KR); **KUNYOUNG TECH.**
CO., LTD., Gyeongsangnam-Do (KR)

(**) Term: **15 Years**

(21) Appl. No.: **29/618,220**

(22) Filed: **Sep. 20, 2017**

(51) **LOC (12) Cl.** **08-05**

(52) **U.S. Cl.**
USPC **D8/354**

(58) **Field of Classification Search**
USPC D8/354, 355, 373, 380, 381, 349, 363;
D14/452, 451, 447, 448
CPC F16M 11/2064; F16M 11/205; F16M
11/2035; F16M 11/2021
See application file for complete search history.

RE44,727 E * 1/2014 Bosson F16M 11/041
248/131
9,746,128 B2 * 8/2017 Huang F16M 11/2014
2005/0127261 A1 * 6/2005 Lin F16C 11/06
248/288.51
2006/0175499 A1 * 8/2006 Price F16M 11/2064
248/278.1

* cited by examiner

Primary Examiner — Janice Hallmark
Assistant Examiner — Harold E Blackwell, II
(74) *Attorney, Agent, or Firm* — K&L Gates LLP

(57) **CLAIM**
The ornamental design for a monitor bracket, as shown and described herein.

DESCRIPTION

FIG. 1 illustrates a perspective view of a monitor bracket embodying the invention.
FIG. 2 illustrates a front view of the monitor bracket shown in FIG. 1.
FIG. 3 illustrates a rear view of the monitor bracket shown in FIG. 1.
FIG. 4 illustrates a left side view of the monitor bracket shown in FIG. 1.
FIG. 5 illustrates a right side view of the monitor bracket shown in FIG. 1.
FIG. 6 illustrates a top view of the chair monitor bracket in FIG. 1.
FIG. 7 illustrates a bottom view of the monitor bracket shown in FIG. 1; and,
FIG. 8 illustrates another perspective view of the monitor bracket shown in FIG. 1.

(56) **References Cited**
U.S. PATENT DOCUMENTS

D488,708 S * 4/2004 Lam D8/363
D552,454 S * 10/2007 Fynn D8/363
D646,685 S * 10/2011 Skull D14/452
D679,282 S * 4/2013 Liu D14/452

1 Claim, 8 Drawing Sheets

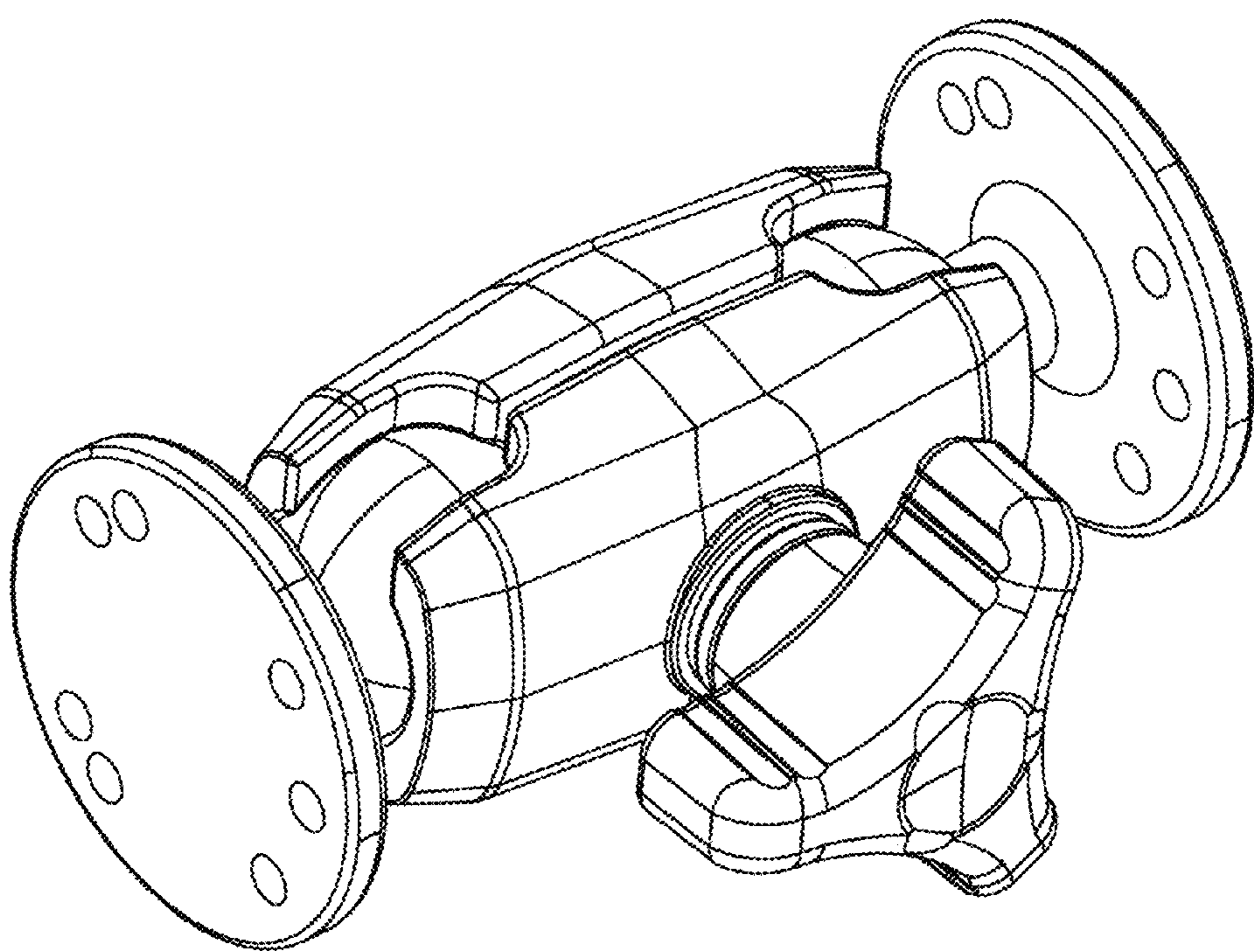


FIG. 1

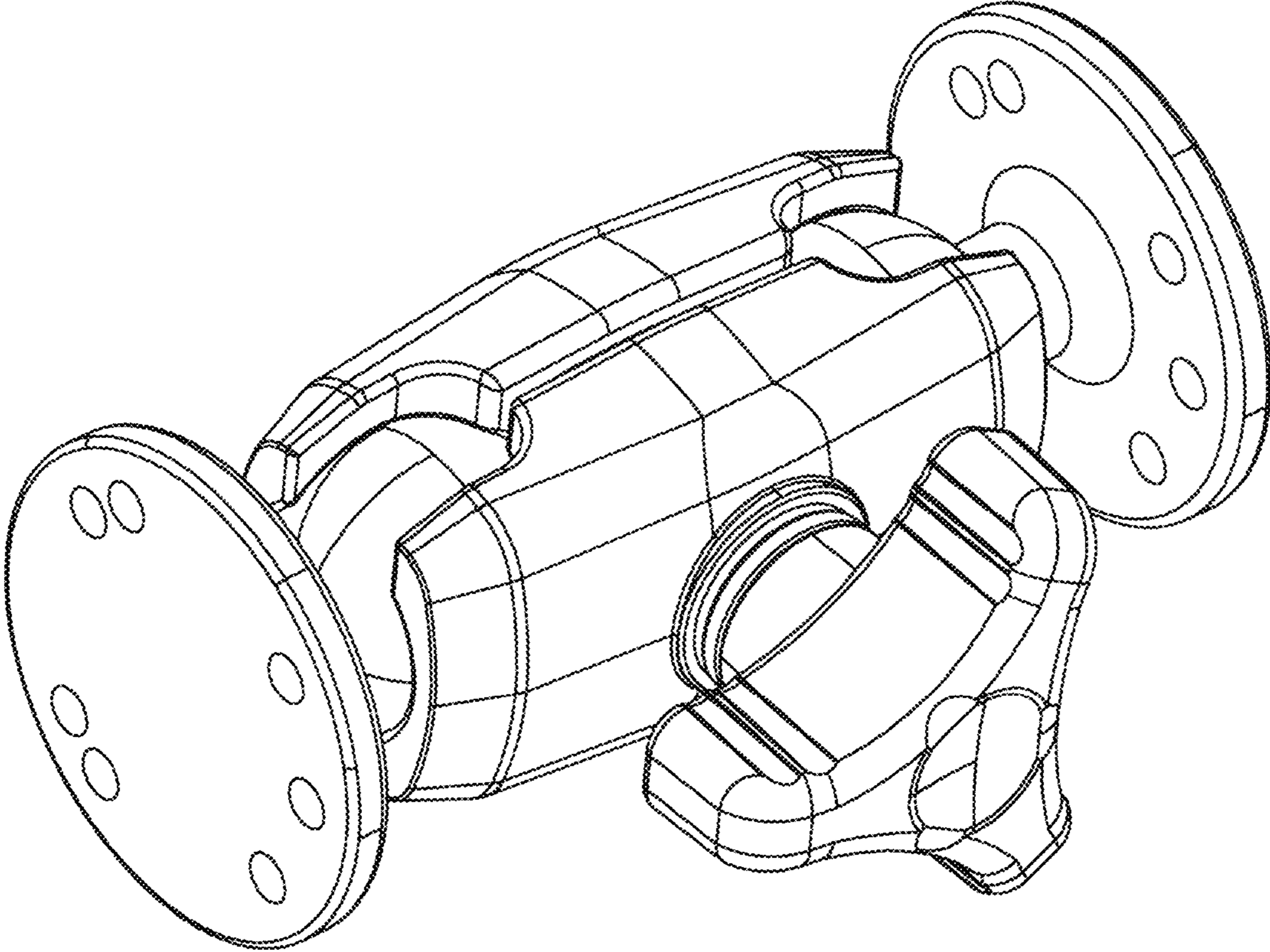


FIG. 2

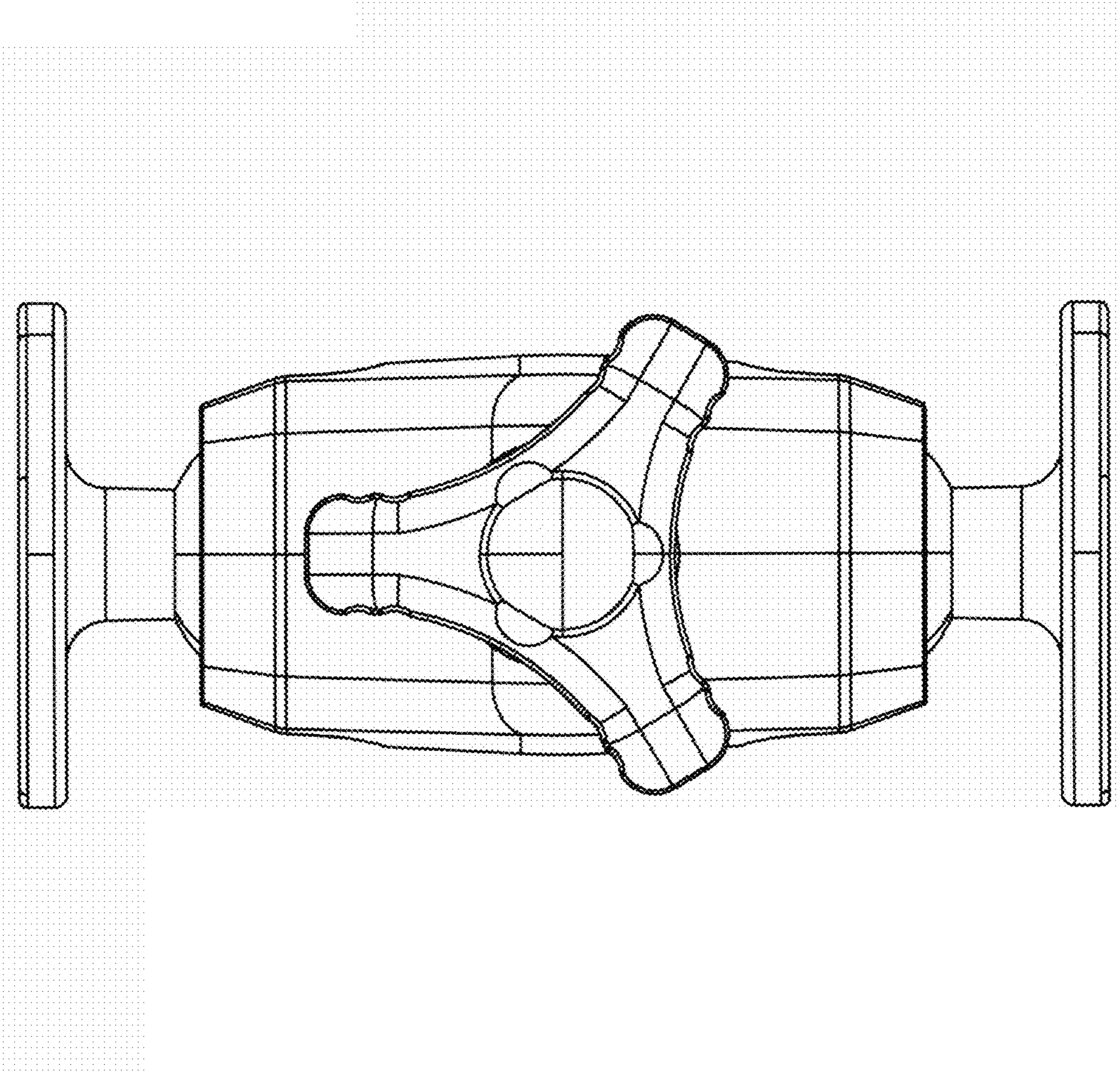


FIG. 3

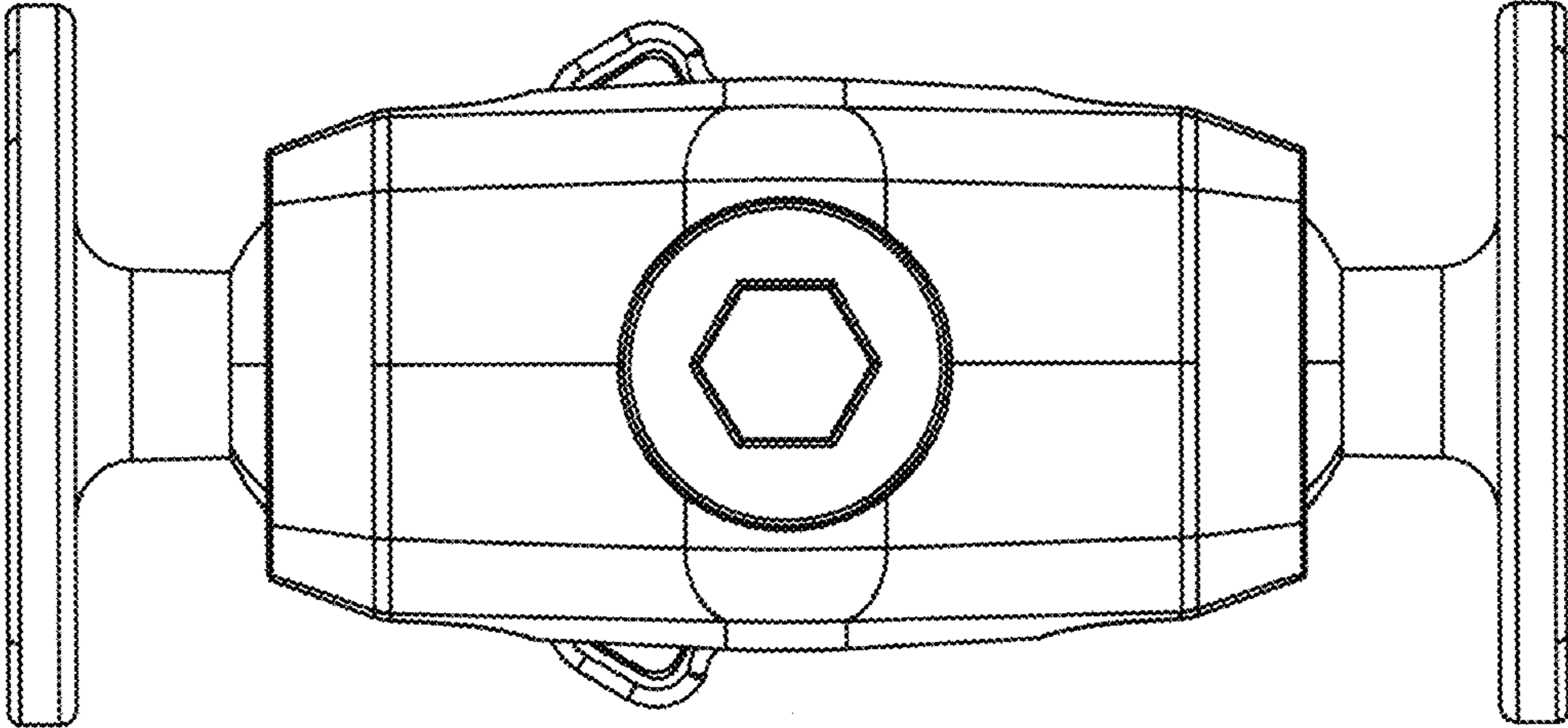


FIG. 4

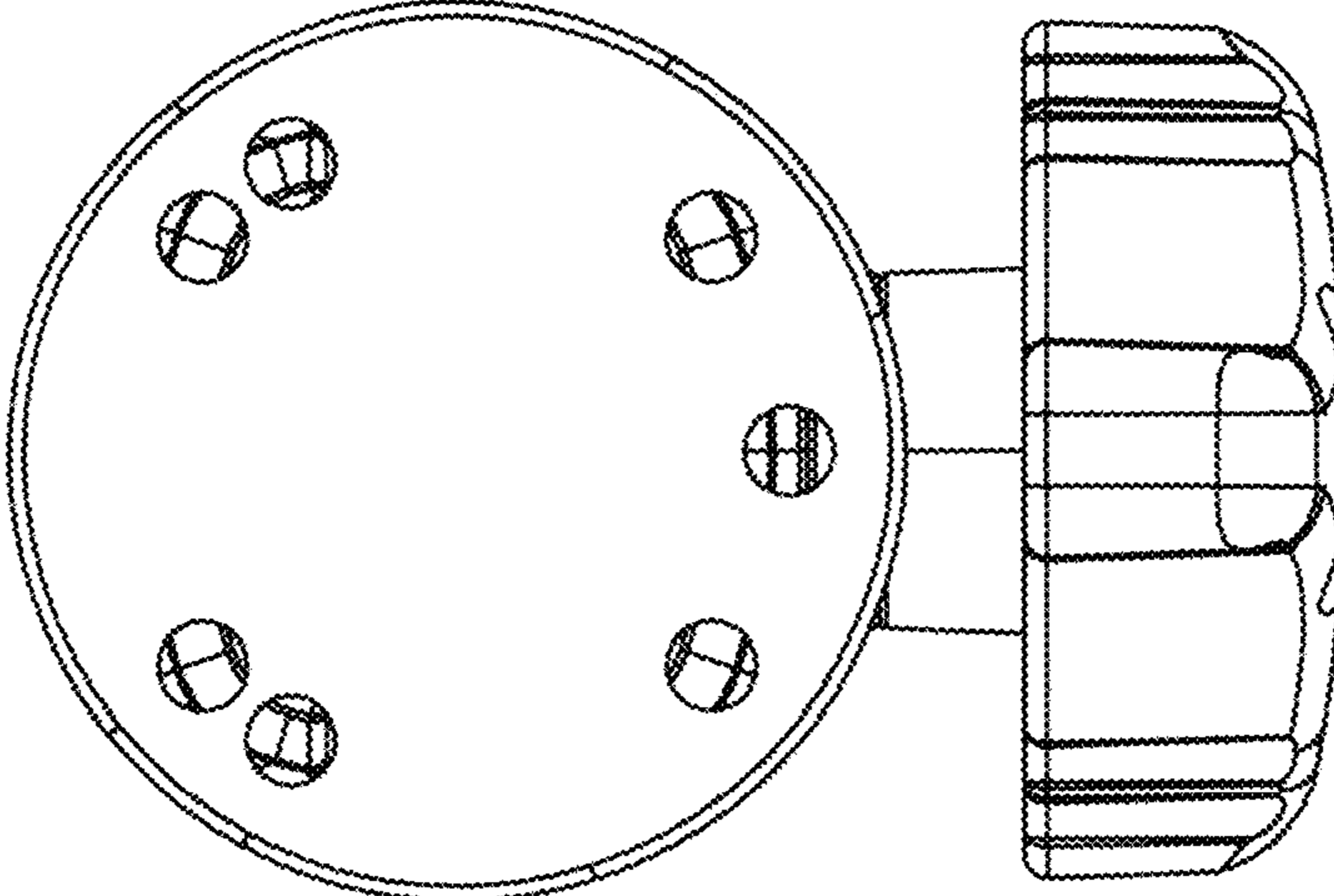


FIG. 5

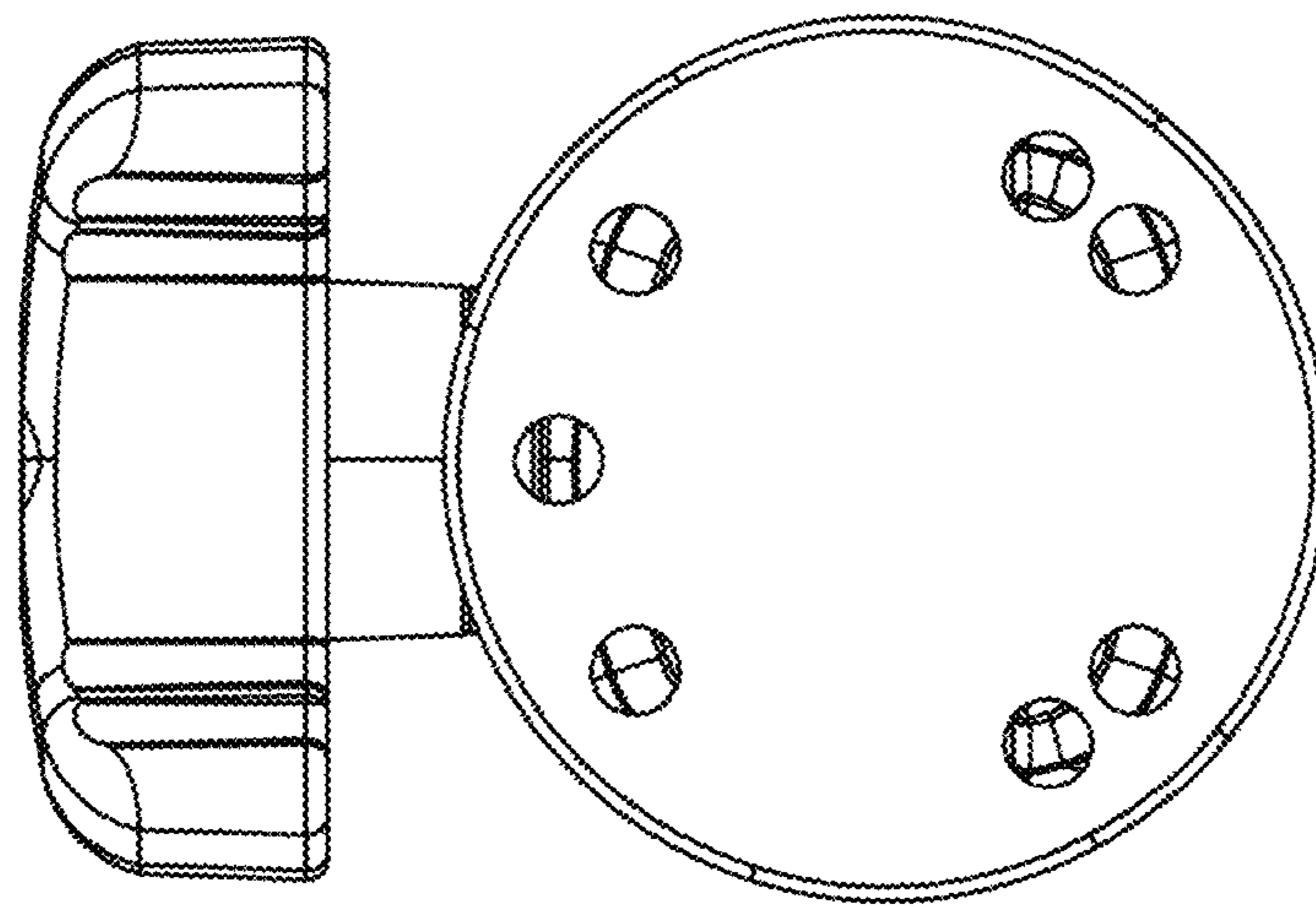


FIG. 6

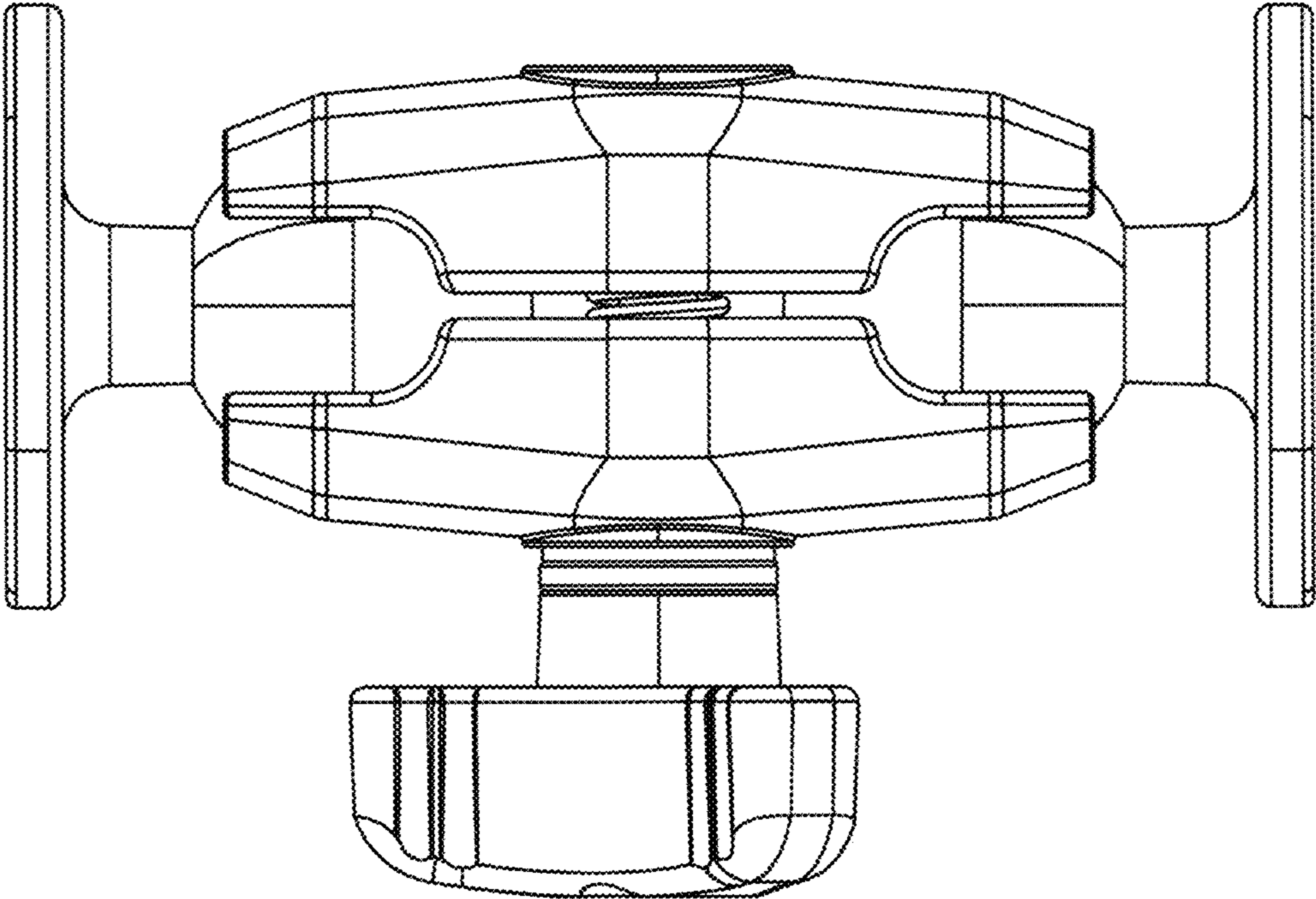


FIG. 7

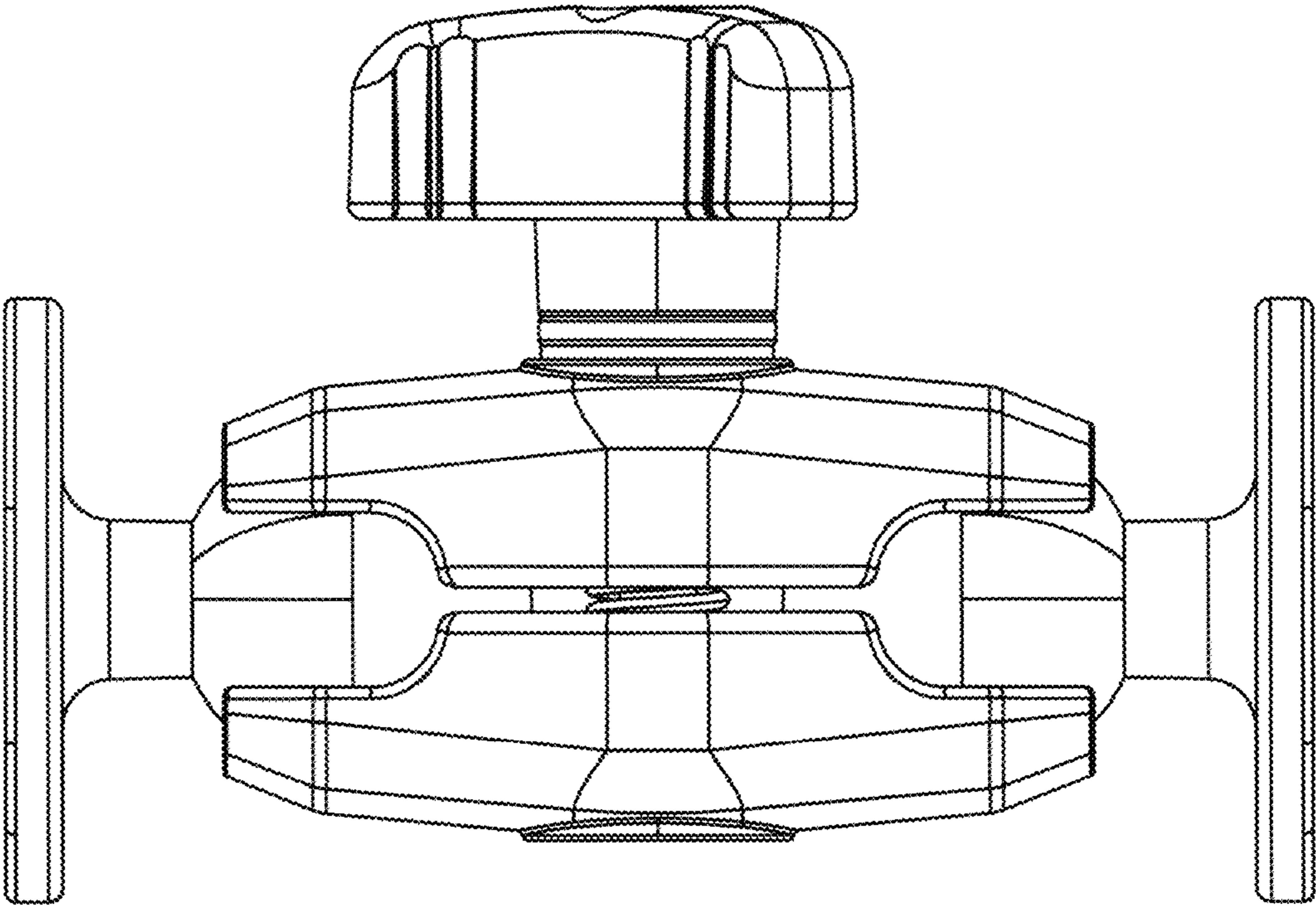


FIG. 8

