



US00D873647S

(12) **United States Design Patent** (10) **Patent No.:** **US D873,647 S**
Malcolm (45) **Date of Patent:** **** Jan. 28, 2020**

(54) **BARREL TIE-DOWN BRACKET**
(71) Applicant: **Roger J. Malcolm**, San Clemente, CA (US)
(72) Inventor: **Roger J. Malcolm**, San Clemente, CA (US)
(**) Term: **15 Years**

(21) Appl. No.: **29/589,385**
(22) Filed: **Dec. 30, 2016**
(51) **LOC (12) Cl.** **08-08**
(52) **U.S. Cl.**
USPC **D8/349**
(58) **Field of Classification Search**
USPC D6/672, 684, 680, 683.1, 703.5; D8/349, D8/354, 355, 330, 331, 333, 380, 382; D13/154, 133, 129, 199; D22/125; D25/119, 164, 199, 139, 141; D26/138, D26/76, 78, 79, 80
CPC .. F16C 2314/72; F16C 29/0623; F16C 29/06; F16C 29/0609; F16C 29/005; F16C 29/008; F16C 29/04; F16C 29/0657; F16C 29/004; F16C 29/12; A47B 1/10; A47B 88/493; A47B 88/423; A47B 2088/4235; B44C 5/02
See application file for complete search history.

(56) **References Cited**
U.S. PATENT DOCUMENTS
3,414,311 A 12/1968 Trimboli
3,415,564 A 12/1968 Childers
D223,701 S * 5/1972 Lausch D25/199
4,103,812 A 8/1978 Steiner
4,487,537 A 12/1984 Morse
D365,084 S * 12/1995 Suski D13/154
D563,769 S * 3/2008 Short D8/354
D635,445 S * 4/2011 Foresman D8/354

D742,213 S * 11/2015 Sasanecki D8/396
D761,085 S * 7/2016 Cox D8/354
D800,536 S * 10/2017 Kelley D8/354
D815,516 S * 4/2018 Karmarkar D8/382
D845,110 S * 4/2019 Cox D8/354
2006/0273589 A1* 12/2006 Weinhold F16L 3/1222
285/409
2013/0043368 A1* 2/2013 Hill E04H 17/1421
248/534
2018/0058501 A1* 3/2018 Matsui F16C 29/0607

FOREIGN PATENT DOCUMENTS

DE 102005010633 A1 * 9/2006 F16C 29/06
* cited by examiner

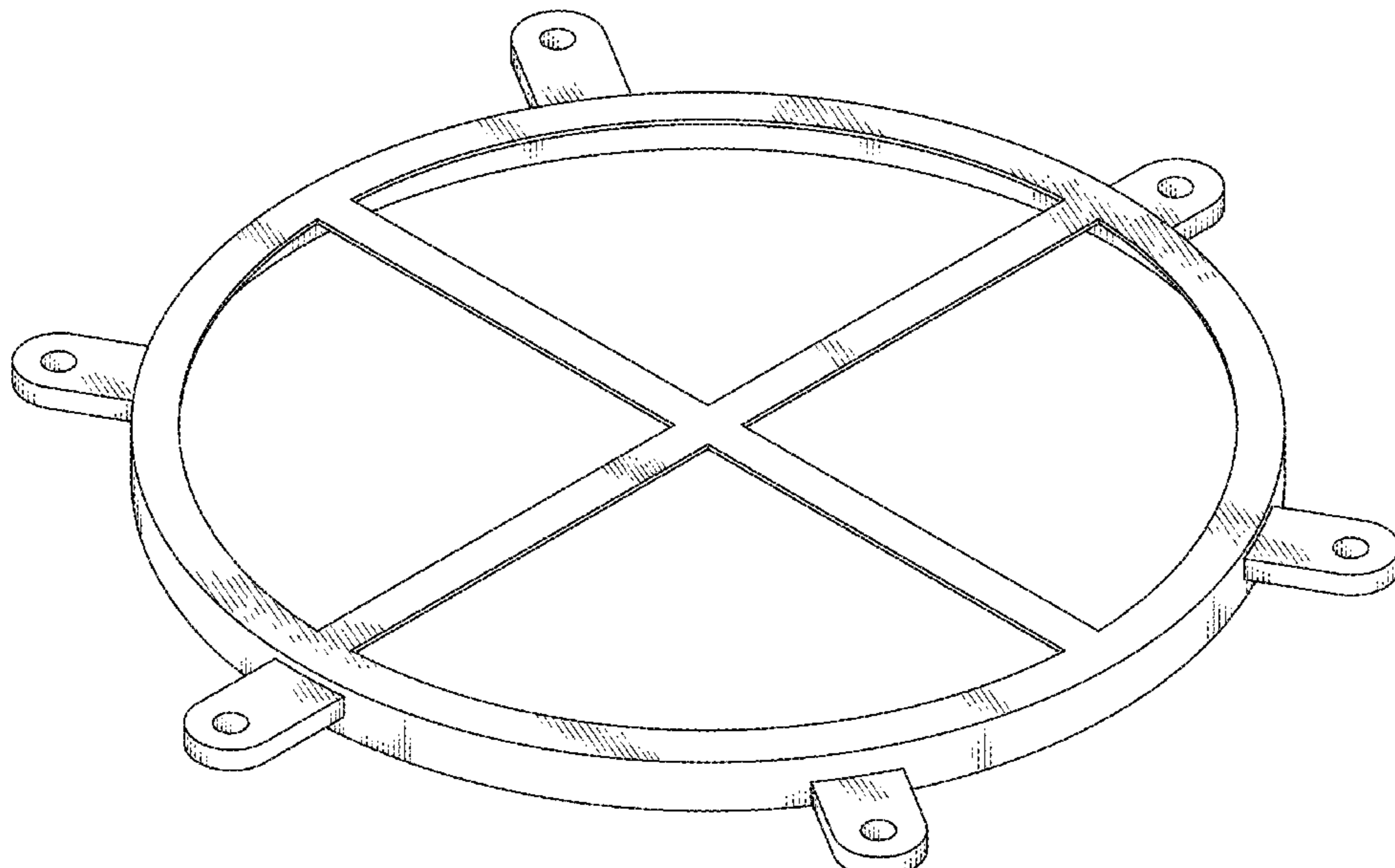
Primary Examiner — Mark A Goodwin
Assistant Examiner — Benjamin M Weeks
(74) *Attorney, Agent, or Firm* — Charmasson, Buchaca & Leach, LLP

(57) **CLAIM**
The ornamental design for a barrel tie-down bracket, as shown and described.

DESCRIPTION

FIG. 1 is a top, front, left side perspective view of a barrel tie-down bracket according to a first embodiment of the invention.
FIG. 2 is a bottom, back, right side perspective view thereof.
FIG. 3 is a top plan view thereof.
FIG. 4 is a bottom plan view thereof.
FIG. 5 is a right side plan view thereof, the left side plan view being a mirror image thereof; and,
FIG. 6 is a front plan view thereof, the back plan view being a mirror image thereof.
Shading lines are used to show solid structures and are not intended to indicate surface decoration.

1 Claim, 5 Drawing Sheets



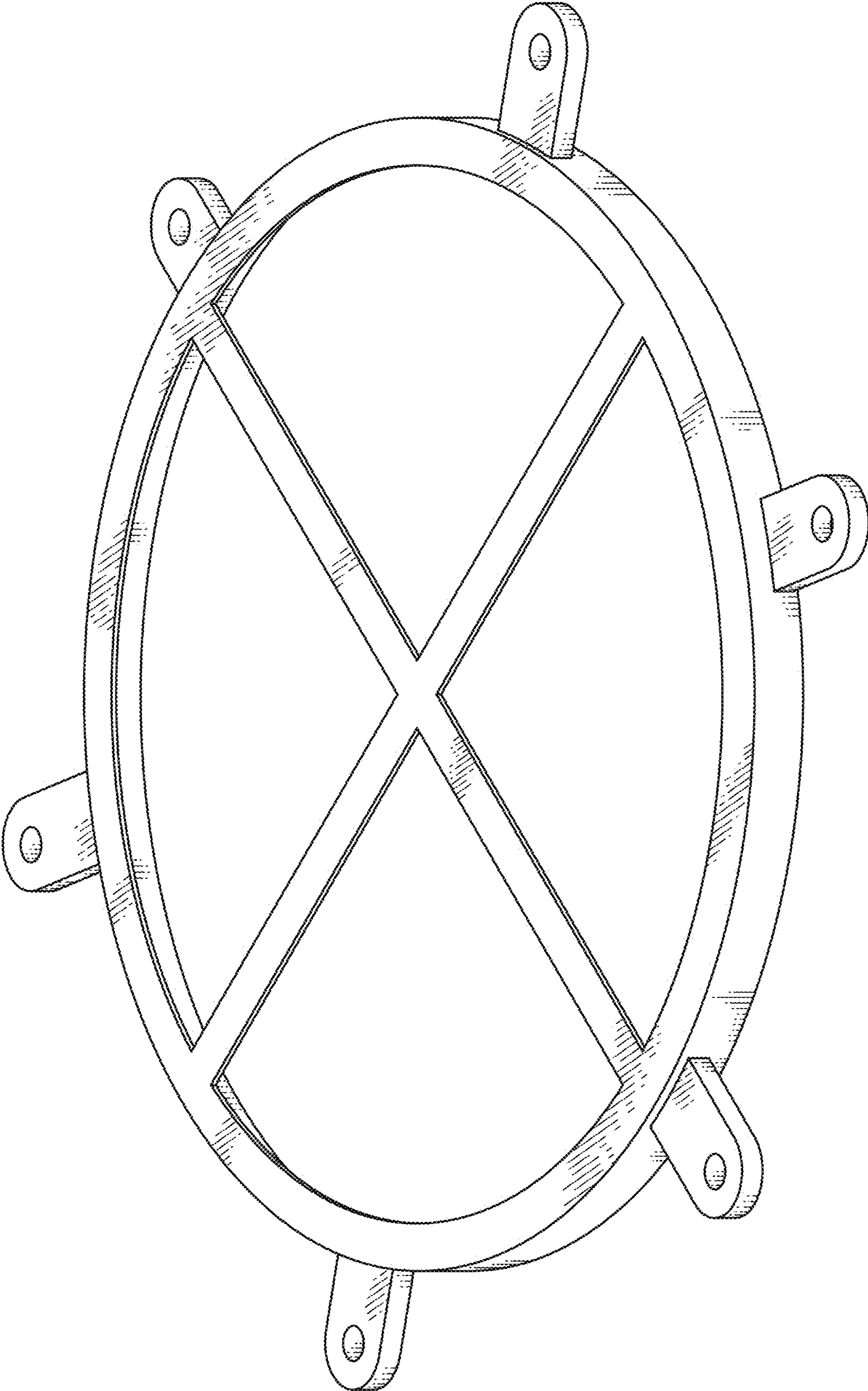


FIG. 1

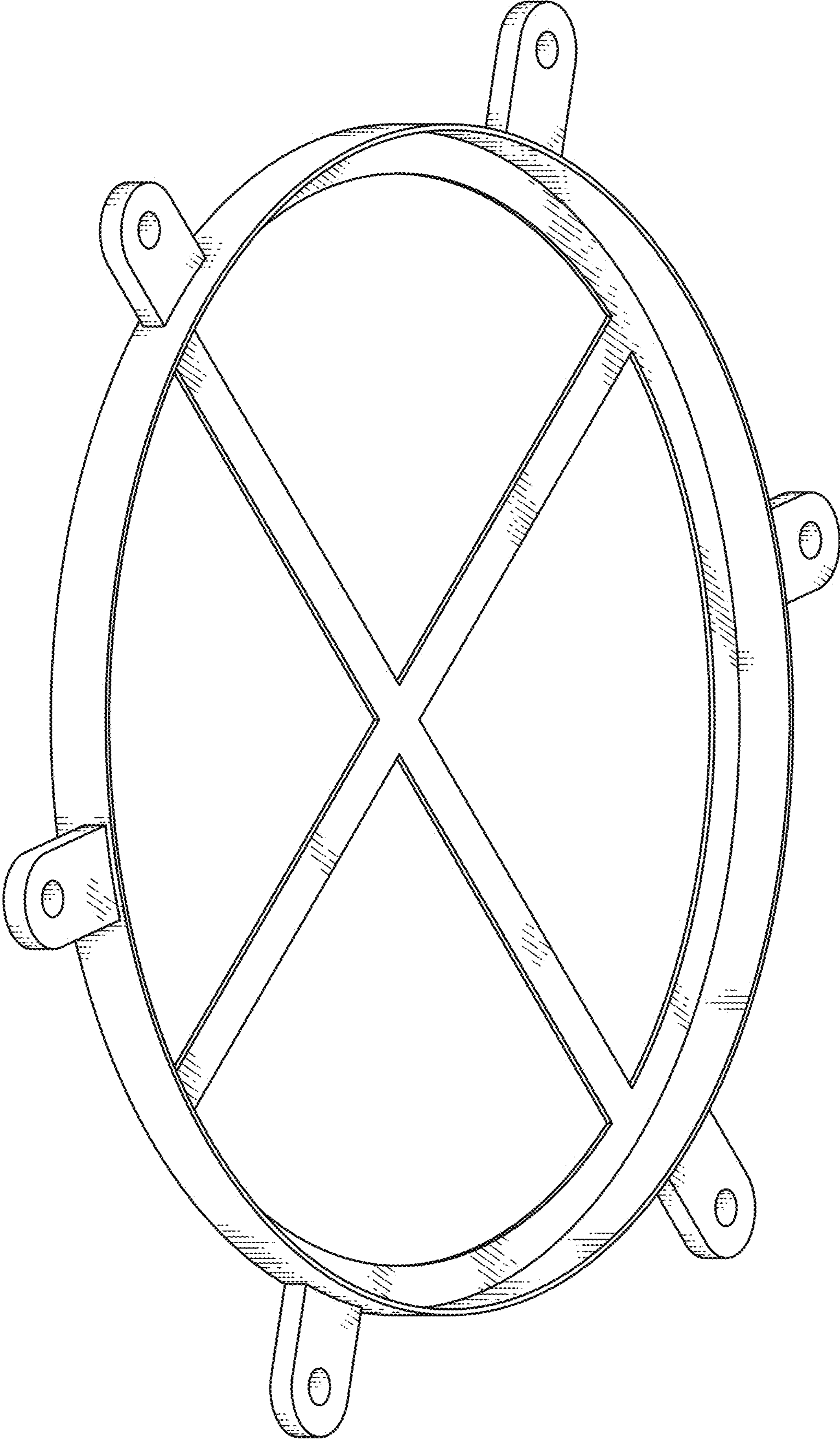


FIG. 2

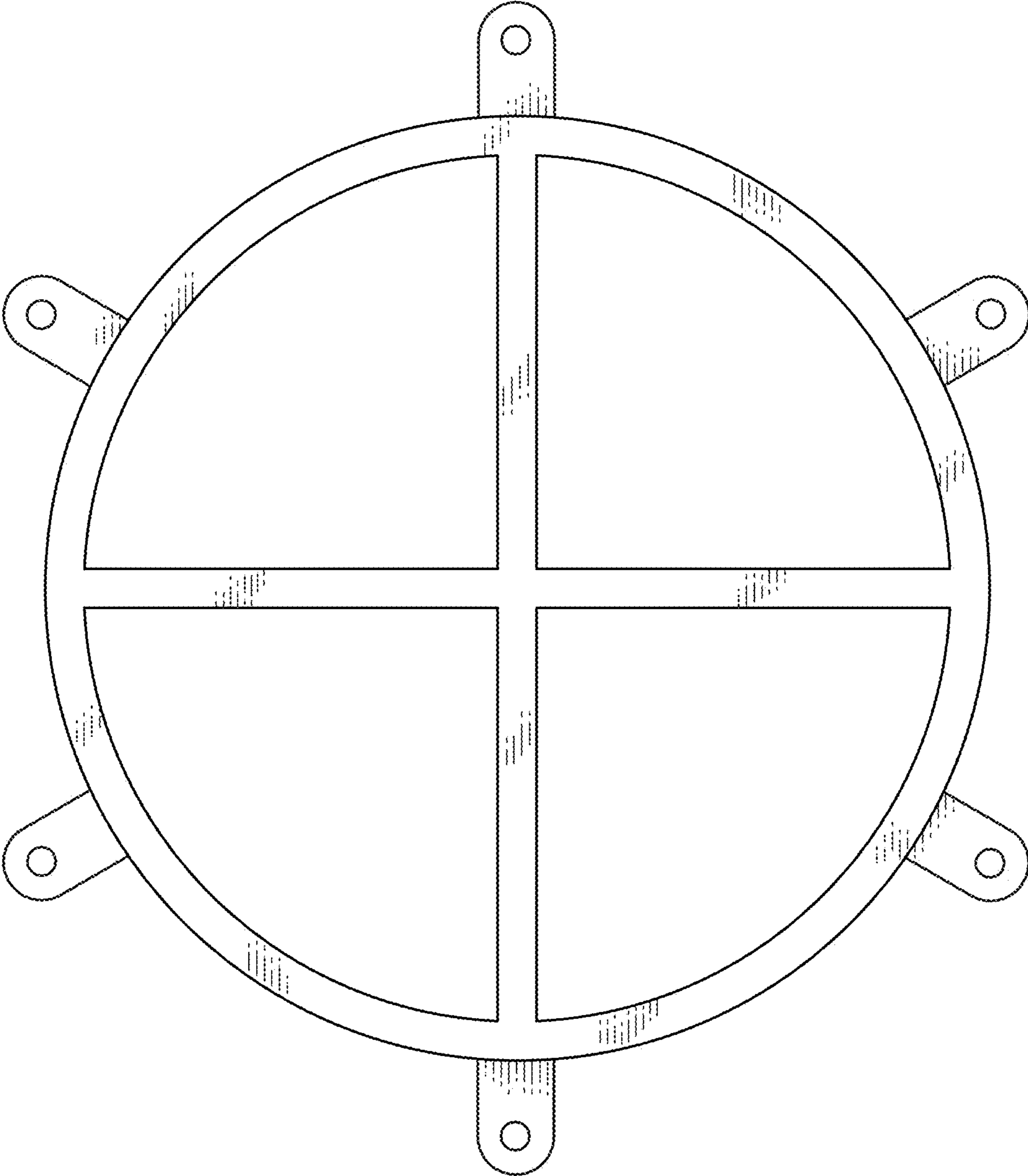


FIG. 3

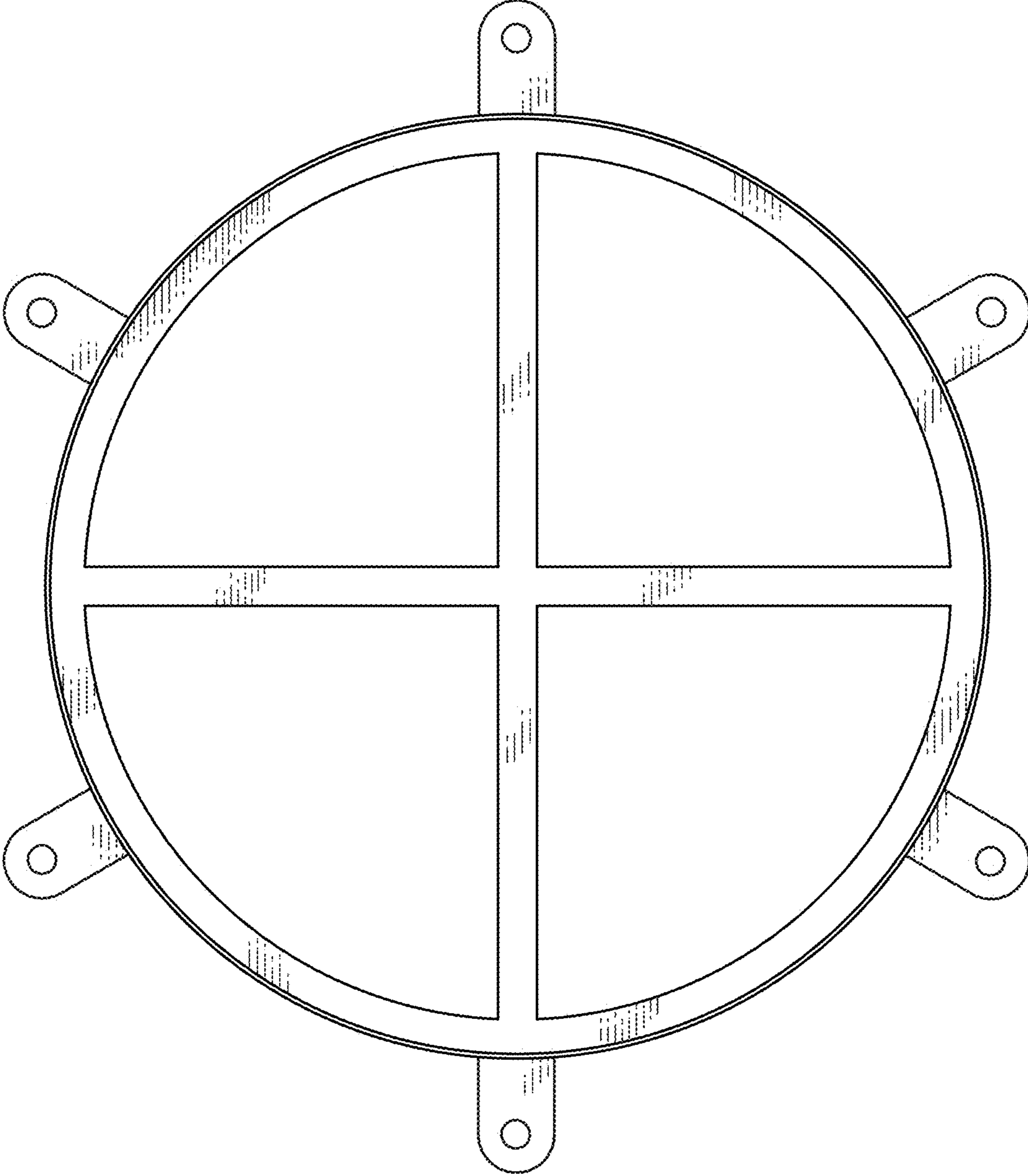


FIG. 4



FIG. 5

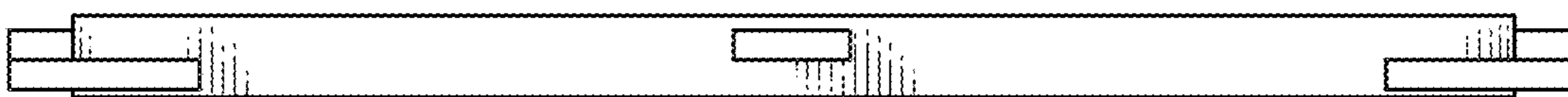


FIG. 6