



US00D873643S

(12) **United States Design Patent**
Hadden

(10) **Patent No.:** **US D873,643 S**
(45) **Date of Patent:** **** Jan. 28, 2020**

(54) **MULTI-TOOL**
(71) Applicant: **Chums, Inc.**, Salt Lake City, UT (US)
(72) Inventor: **Richard Jeremy Hadden**, White Salmon, WA (US)
(73) Assignee: **Chums, Inc.**, Salt Lake City, UT (US)
(**) Term: **15 Years**
(21) Appl. No.: **29/596,479**

2,659,231 A 11/1953 Glubiak
2,790,319 A 4/1957 Brunner
3,321,943 A 5/1967 Reyes
3,355,917 A 12/1967 Albert
3,436,942 A 4/1969 Procter
3,455,131 A 7/1969 Shofner
3,606,777 A 9/1971 Watson
3,877,269 A 4/1975 Dehart
4,045,984 A 9/1977 McDonald
4,253,321 A 3/1981 Sorensen
4,310,040 A 1/1982 Shainfeld
4,596,126 A 6/1986 Sorensen

(Continued)

(22) Filed: **Mar. 8, 2017**
(51) **LOC (12) Cl.** **08-05**
(52) **U.S. Cl.**
USPC **D8/105**; D8/16
(58) **Field of Classification Search**
USPC D8/105, 4, 16-20, 26, 34, 51, 52, 55, 81,
D8/98, 99, 107
CPC B26B 5/00; B25F 1/00; F16M 13/00
See application file for complete search history.

OTHER PUBLICATIONS

Chums Tasker Keychain Tool, Feb. 6, 2019, Amazon.com, https://www.amazon.com/Chums-Tasker-Keychain/dp/B01MUD17EM/ref=sr_1_1?keywords=CHUMS+TASKER+KEYCHAIN+TOOL&gid=1568602469&s=gateway&sr=8-1 (Year: 2019).*

(Continued)

Primary Examiner — Janice Hallmark
(74) *Attorney, Agent, or Firm* — Stoel Rives LLP

(56) **References Cited**
U.S. PATENT DOCUMENTS

D3,942 S	3/1870	Elwell
1,669,945 A	5/1928	Michailovsky
1,793,594 A	2/1931	Dodson
1,885,957 A	11/1932	Singleton
1,909,735 A	5/1933	Vavrosky
1,942,924 A	1/1934	Jachens
1,974,160 A	9/1934	Peirson
1,974,558 A	9/1934	Andis
2,065,940 A	12/1936	Lane
2,306,970 A	12/1942	MacPherson et al.
2,344,581 A	3/1944	Ziegeweid
2,387,319 A	10/1945	Evans
D156,677 S	12/1949	Smith
2,493,330 A	1/1950	Zimmerman
2,549,228 A	4/1951	Ostrander
2,551,158 A	5/1951	Quan
2,595,981 A	5/1952	Prickett
2,607,210 A	8/1952	Chesak

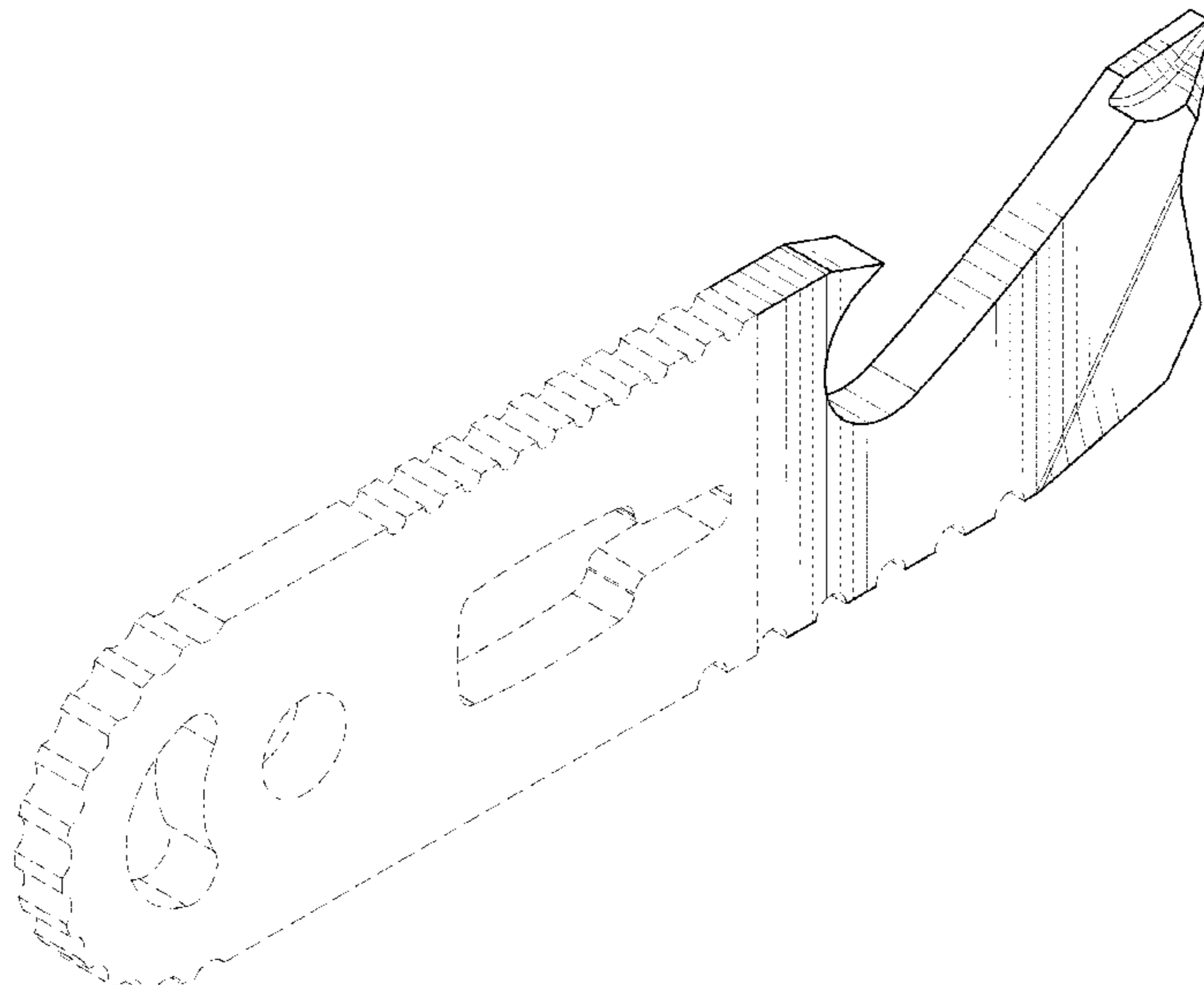
(57) **CLAIM**

The ornamental design for a multi-tool, as shown and described.

DESCRIPTION

FIG. 1 is a perspective view of a multi-tool showing my new design;
FIG. 2 is a right side elevation view thereof;
FIG. 3 is a left side elevation view thereof;
FIG. 4 is a rear elevation view thereof;
FIG. 5 is a front elevation view thereof;
FIG. 6 is a top plan view thereof; and,
FIG. 7 is a bottom plan view thereof.
The broken lines represent environmental structure or boundaries that form no part of the claimed design.

1 Claim, 5 Drawing Sheets



(56)

References Cited

U.S. PATENT DOCUMENTS

4,646,913 A 3/1987 Wing et al.
 4,660,397 A 4/1987 Girimont
 D302,514 S * 8/1989 Gates D8/105
 5,117,666 A 6/1992 Keefer
 D332,384 S 1/1993 Dague
 D334,528 S 4/1993 Franklin
 5,199,560 A 4/1993 Lee et al.
 D356,019 S 3/1995 Sakai
 D356,240 S * 3/1995 Meldahl D8/105
 D357,166 S 4/1995 Concari
 D382,190 S 8/1997 Blackston et al.
 5,791,211 A 8/1998 Bondhus et al.
 D404,284 S 1/1999 Sacco et al.
 D405,675 S 2/1999 Rivera
 D410,189 S 5/1999 Wehrs
 D434,302 S 11/2000 Van Den Acker
 D442,060 S 5/2001 Neset et al.
 D442,061 S 5/2001 Harris et al.
 D445,655 S * 7/2001 Maddox D8/105
 D447,925 S 9/2001 Osborne
 D448,267 S 9/2001 Jean et al.
 6,892,558 B2 5/2005 Chodosh
 D528,880 S * 9/2006 Belflower D8/16
 7,127,922 B2 10/2006 Khounsombath et al.
 7,481,137 B1 1/2009 Johnson
 D595,103 S 6/2009 Goodrich
 D613,138 S * 4/2010 Salvino D8/18
 D624,305 S 9/2010 Downes
 D630,079 S 1/2011 Seeds et al.
 D674,590 S 1/2013 Busch
 D683,951 S 6/2013 Busch
 D689,351 S * 9/2013 Webb, Jr. D8/17
 D693,202 S 11/2013 Berman
 D705,533 S 5/2014 Tunney
 D714,537 S 10/2014 Busch
 D726,517 S * 4/2015 Fischer D8/17
 D728,922 S 5/2015 Taylor
 D749,383 S * 2/2016 Crane D8/18
 D749,837 S 2/2016 Du
 D754,427 S 4/2016 Tunney
 D754,428 S 4/2016 Tunney
 D756,629 S 5/2016 Tunney
 D756,630 S 5/2016 Tunney
 D770,250 S * 11/2016 Fischer D8/17
 D771,936 S 11/2016 Shlaferman

D772,028 S * 11/2016 Tangreen D8/17
 D772,679 S * 11/2016 Hawker D3/210
 D773,274 S * 12/2016 Berman D8/105
 D780,550 S * 3/2017 Manor D8/105
 D794,321 S 8/2017 Downes
 D796,184 S 9/2017 Terkel
 D801,599 S * 10/2017 Macca D30/199
 D803,657 S * 11/2017 Hawker D8/105
 D811,846 S 3/2018 Johnson et al.
 D837,619 S * 1/2019 George D8/14
 D848,813 S * 5/2019 Kelleghan D8/105
 2001/0012754 A1 8/2001 Anderson et al.
 2005/0103070 A1 5/2005 Meyerson et al.
 2006/0000250 A1 1/2006 Folger

OTHER PUBLICATIONS

“Chums Key Quiver Compact Key Holder and Keychain Organizer,” Amazon.com, Date First Available: Jan. 29, 2017, [online][site visited May 5, 2018] <URL:https://www.amazon.com/Compact-Keychain-Organizer> (Year: 2017).
 “Key Quiver Keychain Organizer,” Chums.com [online][site visited May 5, 2018] <URL:https://www.chums.com/keychains/key-quiver—keychain-tool> (Year: 2018).
 “Minimalist Key Organizer,” CaseScene.com [online] [site visited: May 5, 2018] <URL:https://www.casescene.com/products/minimalist-key-organizer> (Year: 2018).
 “The Best Key Organizers of 2017,” EverydayCarry.com, Adam Molina, May 27, 2017 [online][site visited May 5, 2018] <URL:http://everydaycarry.com/best-everyday-carry-key-organizers-2017> (Year 2017).
 Hadden, et al., Office Action (Ex Parte Quayle) dated May 23, 2018 for U.S. Appl. No. 29/596,475.
 Bladekey LLC, et al., BladeKey Bolt—Open Source Pocket Key Organizer, https://www.kickstarter.com/projects/bladekey/bladekeytm-bolt-open-source-pocket-key-organizer, Apr. 13, 2016 ,Apr. 13, 2016 ,14.
 Gerber Curve, et al., My New Custom “Multi-Key”, Made from a Gerber Curve!, http://edcforums.com/threads/my-new-custom-multi-key-made-from-a-gerber-curve.78923 Apr. 13, 2016.
 Key Ninja, et al., Key Ninja.
 OmegaKey, et al., Welcome to OmegaKey Invents.,
 Hadden, et al., Notice of Allowance dated Jul. 19, 2018 for U.S. Appl. No. 29/596,475.

* cited by examiner

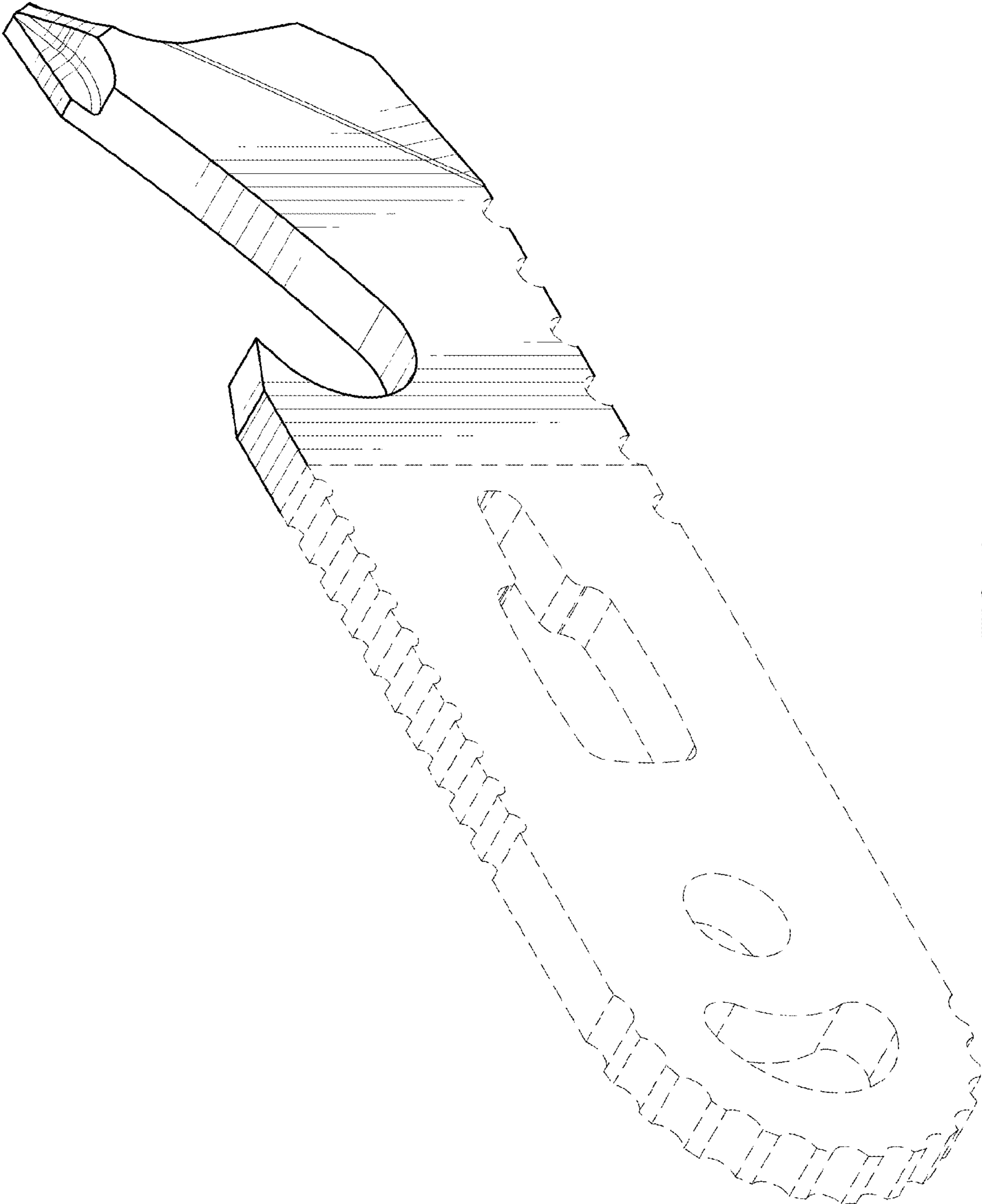


FIG. 1

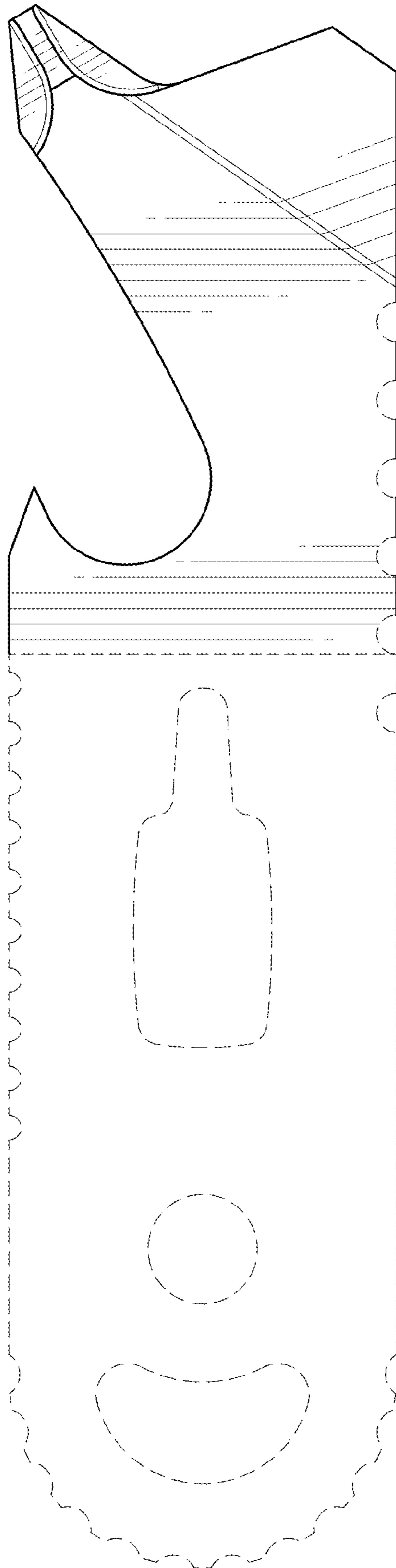


FIG. 2

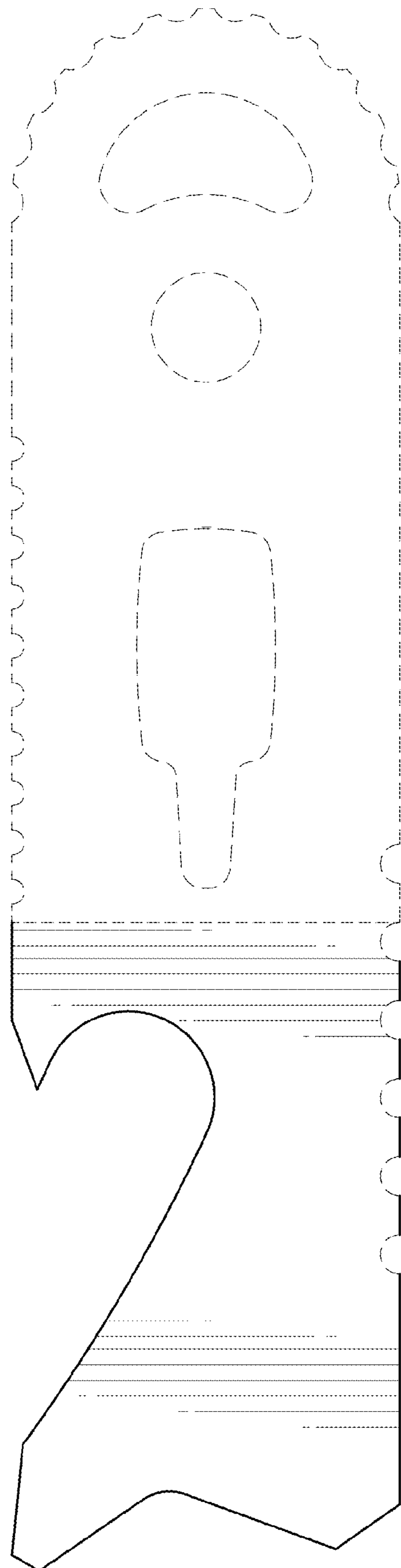


FIG. 3

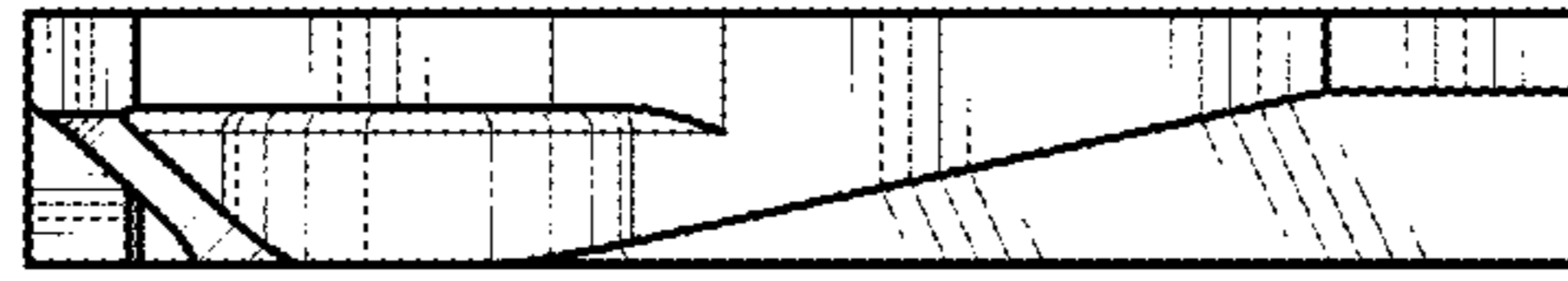


FIG. 5

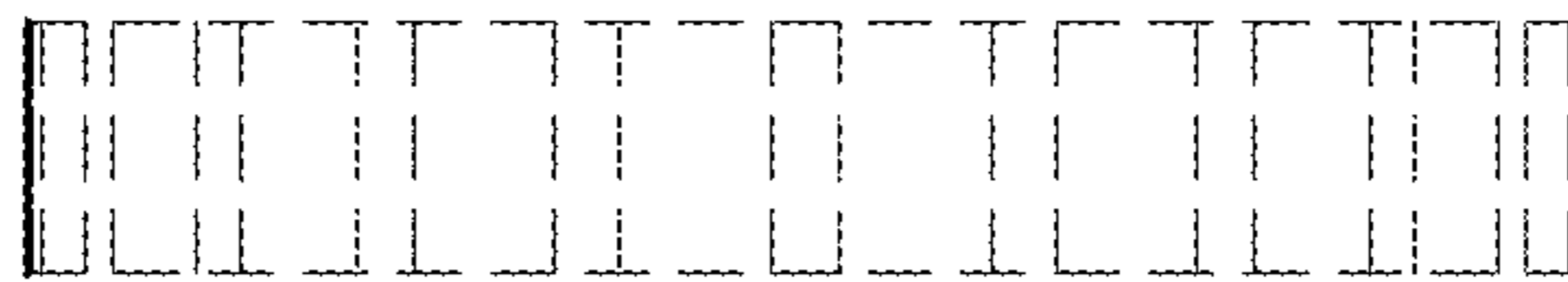


FIG. 4

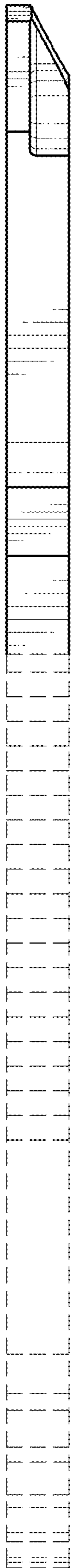


FIG. 6

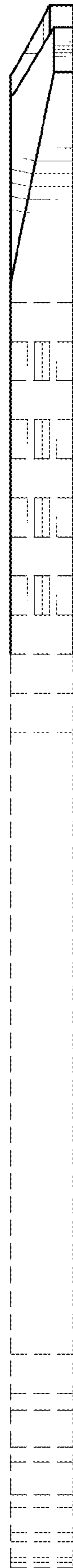


FIG. 7