



US00D873642S

(12) **United States Design Patent**  
**Yu Chen**

(10) **Patent No.:** **US D873,642 S**  
(45) **Date of Patent:** **\*\* Jan. 28, 2020**

(54) **CUTTER**  
(71) Applicant: **Hsiu-Man Yu Chen**, Taichung (TW)  
(72) Inventor: **Hsiu-Man Yu Chen**, Taichung (TW)  
(\*\*) Term: **15 Years**  
(21) Appl. No.: **29/667,385**  
(22) Filed: **Oct. 21, 2018**  
(51) **LOC (12) Cl.** ..... **08-03**  
(52) **U.S. Cl.**  
USPC ..... **D8/98**  
(58) **Field of Classification Search**  
USPC ..... D8/98, 99, 100, 101, 102  
CPC ..... B26B 29/00; B26B 3/08; B26B 29/06;  
B26B 5/00; B26B 5/006; B26B 5/005;  
B26B 1/00; B26B 1/02; B26B 1/04;  
B26B 1/042; B26B 1/044; B26B 1/048;  
B26B 1/08; B26B 1/10  
See application file for complete search history.

(56) **References Cited**

**U.S. PATENT DOCUMENTS**

D714,611 S \* 10/2014 Yu Chen ..... D8/98  
D784,107 S \* 4/2017 Chen ..... D8/98  
D817,142 S \* 5/2018 Rohrbach ..... D8/98  
D817,143 S \* 5/2018 Rohrbach ..... D8/98  
D863,924 S \* 10/2019 Nguyen ..... D8/98

2010/0263219 A1\* 10/2010 Kempker ..... B25F 1/02  
30/337  
2014/0173914 A1\* 6/2014 Yu Chen ..... B26B 27/005  
30/278  
2014/0345146 A1\* 11/2014 Schekalla ..... B26B 3/00  
30/169  
2015/0298330 A1\* 10/2015 Yu Chen ..... B26B 27/005  
30/280  
2017/0197320 A1\* 7/2017 Chen ..... B26B 11/006  
2018/0075932 A1\* 3/2018 Sochor ..... G21C 9/00

\* cited by examiner

*Primary Examiner* — Philip S Hyder  
(74) *Attorney, Agent, or Firm* — Bruce Stone LLP;  
Joseph A. Bruce

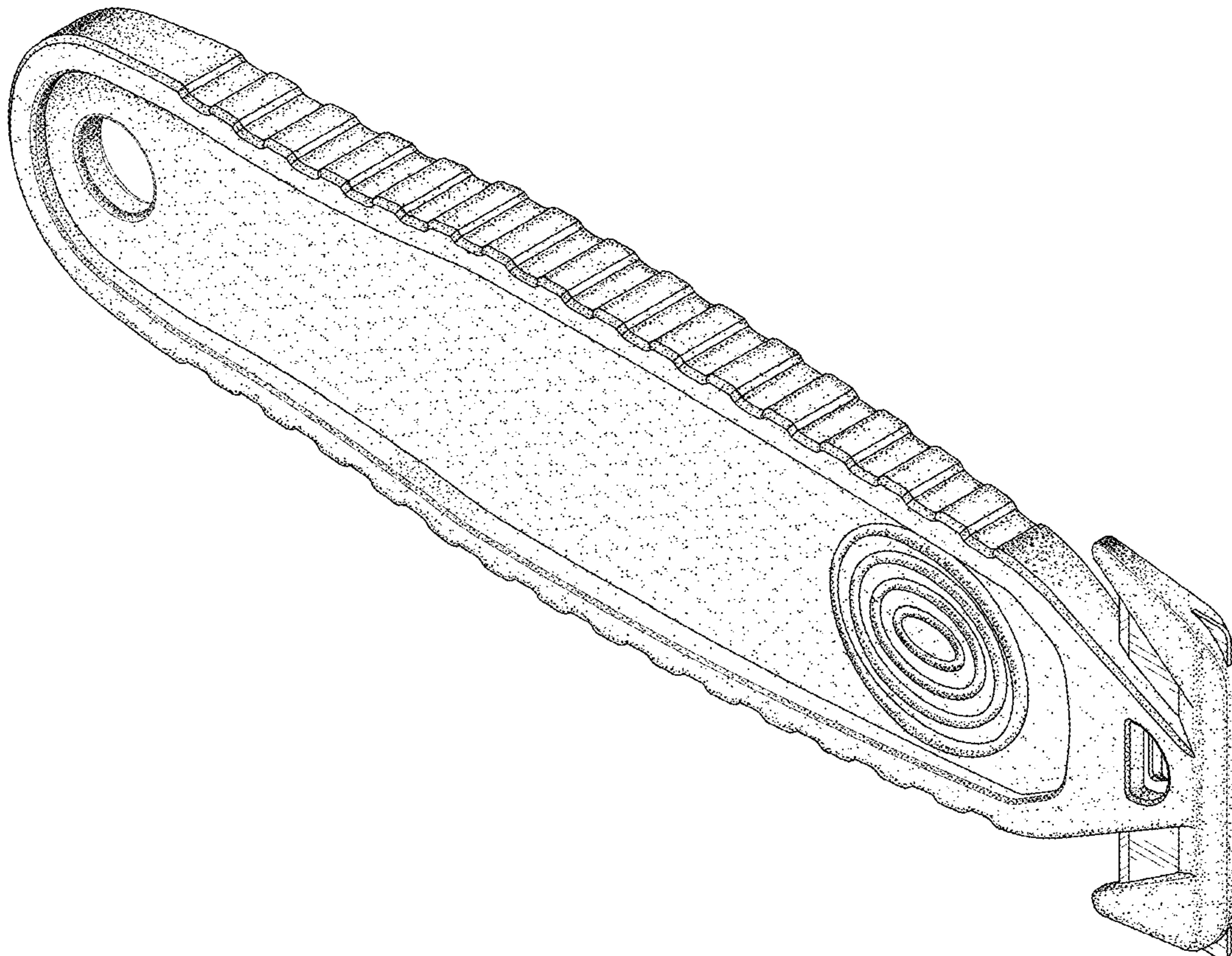
(57) **CLAIM**

The ornamental design for a cutter, as shown and described.

**DESCRIPTION**

FIG. 1 is a front top perspective view of a cutter showing my new design;  
FIG. 2 is a front elevational view thereof;  
FIG. 3 is a rear elevational view thereof;  
FIG. 4 is a left side elevational view thereof;  
FIG. 5 is a right side elevational view thereof;  
FIG. 6 is a top plan view thereof; and,  
FIG. 7 is a bottom plan view thereof.

**1 Claim, 4 Drawing Sheets**



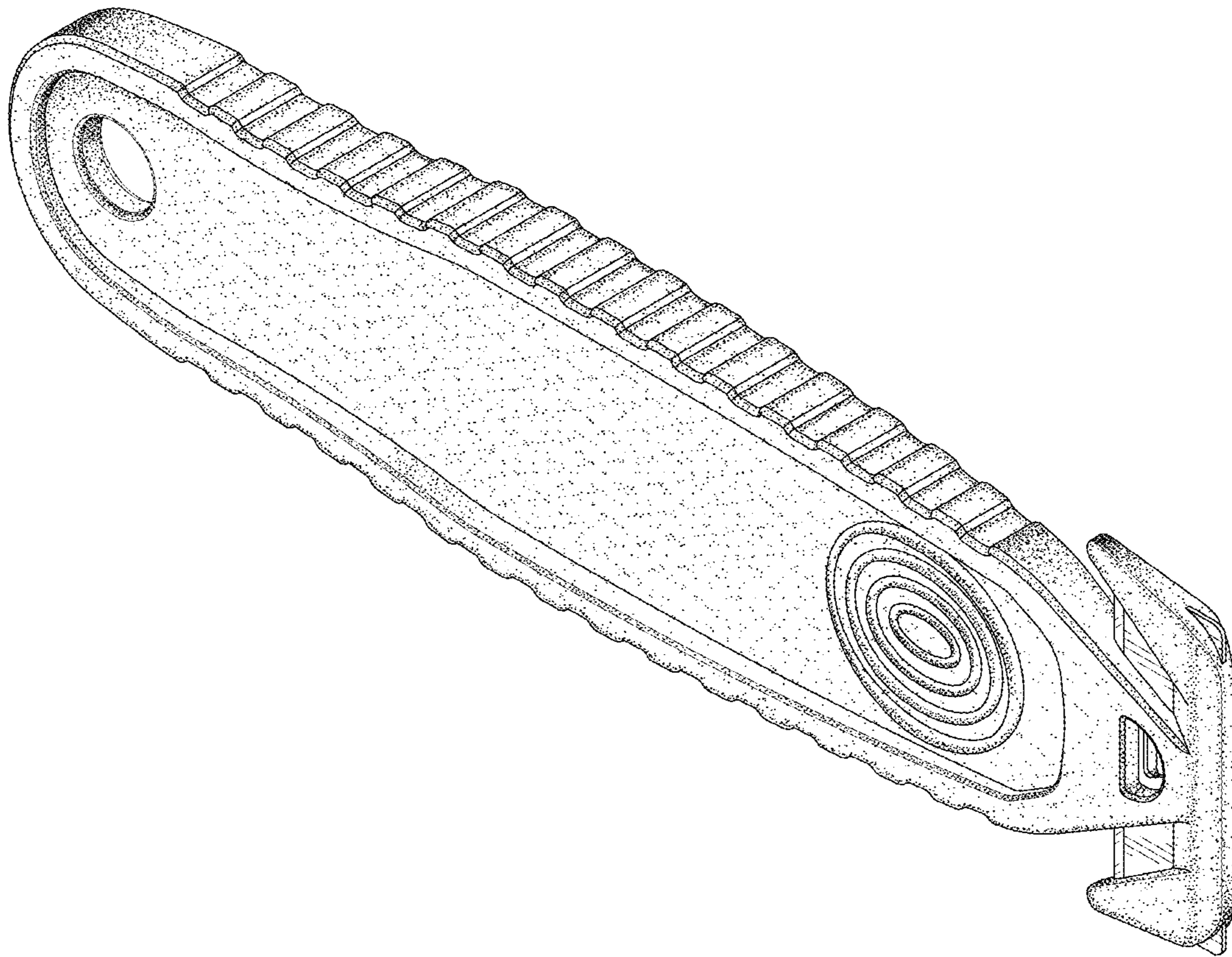


FIG. 1



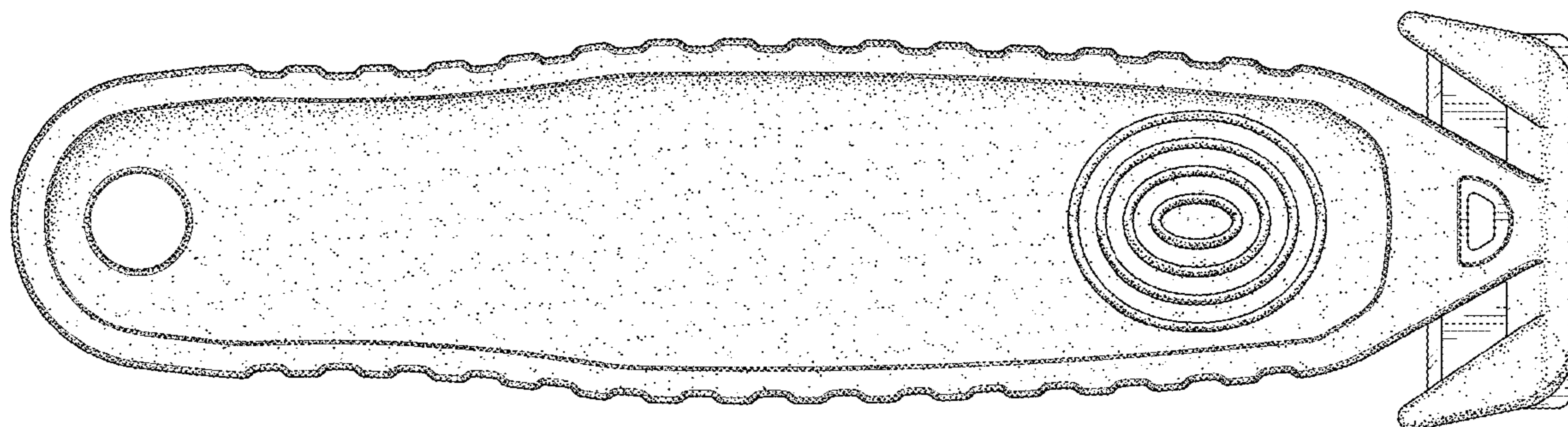


FIG. 2

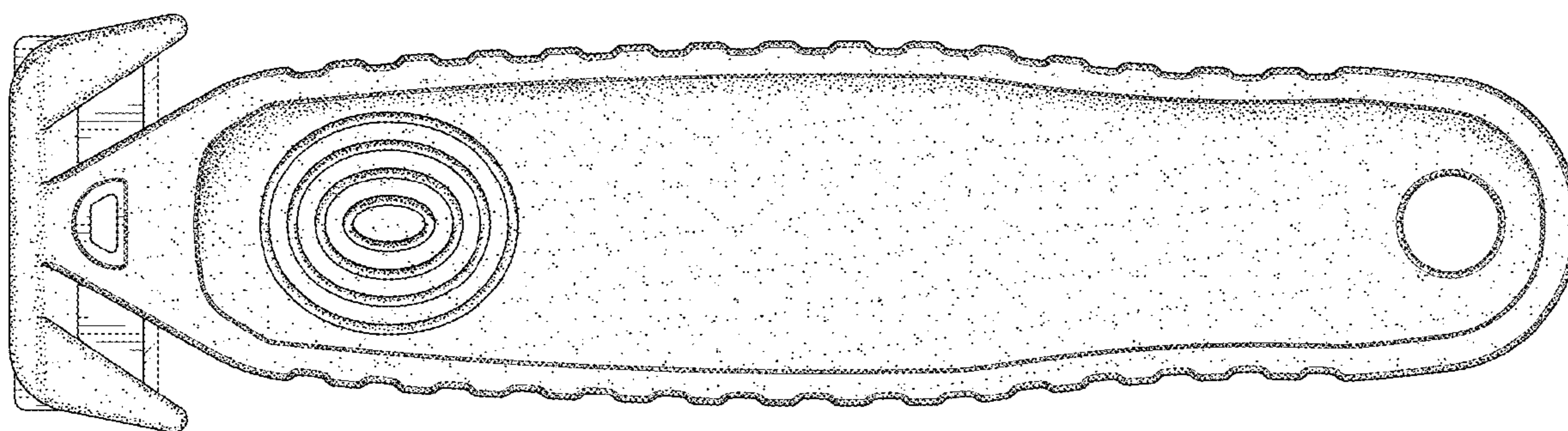


FIG. 3

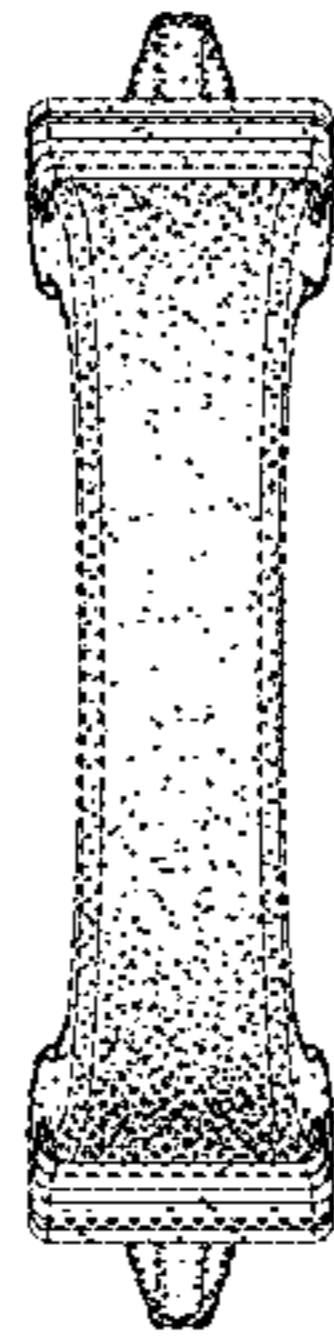


FIG. 4

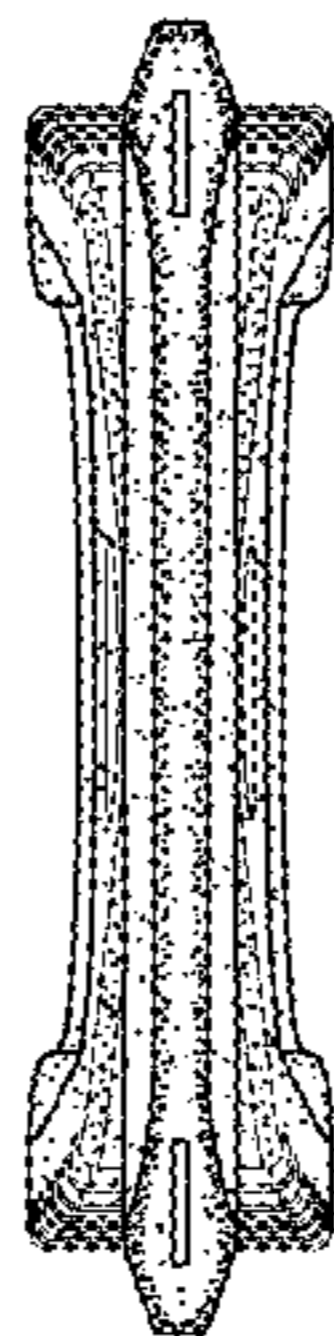


FIG. 5

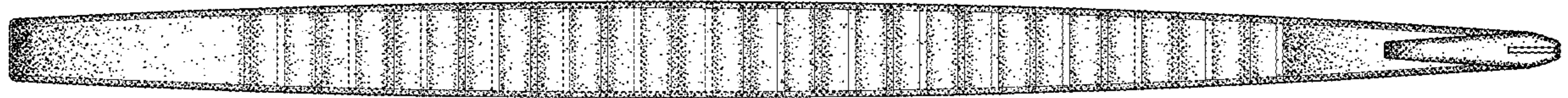


FIG. 6

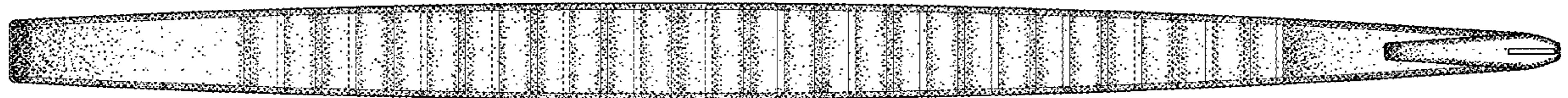


FIG. 7