



US00D873641S

(12) **United States Design Patent** (10) **Patent No.:** **US D873,641 S**
Ozturk et al. (45) **Date of Patent:** **** Jan. 28, 2020**

(54) **CAN OPENER**
(71) Applicant: **DKB Household UK Limited**,
Farnborough, Hampshire (GB)
(72) Inventors: **Osman Gokhan Ozturk**, Denham
Green (GB); **Christopher William
Hedges**, Hartley Wintney (GB)
(73) Assignee: **DKB HOUSEHOLD UK LIMITED**,
Farnborough, Hampshire (GB)
(**) Term: **15 Years**
(21) Appl. No.: **29/667,003**
(22) Filed: **Oct. 17, 2018**
Related U.S. Application Data
(62) Division of application No. 29/609,572, filed on Jun.
30, 2017, now Pat. No. Des. 834,904.

(30) **Foreign Application Priority Data**
Jan. 5, 2017 (EM) 003584382-0001
Jan. 5, 2017 (EM) 003584382-0002
(51) **LOC (12) Cl.** **07-99**
(52) **U.S. Cl.**
USPC **D8/41**
(58) **Field of Classification Search**
USPC D8/18, 33-43
CPC B67B 7/00; B67B 7/0441; B67B 7/12;
B67B 7/14; B67B 7/16; B67B 7/18;
B67B 7/24; B67B 7/30; B67B 7/34;
B67B 7/40; B67B 7/406; B67B 7/44
See application file for complete search history.

(56) **References Cited**
U.S. PATENT DOCUMENTS
1,852,389 A 4/1932 Zidovec
D253,391 S 11/1979 Dreyer

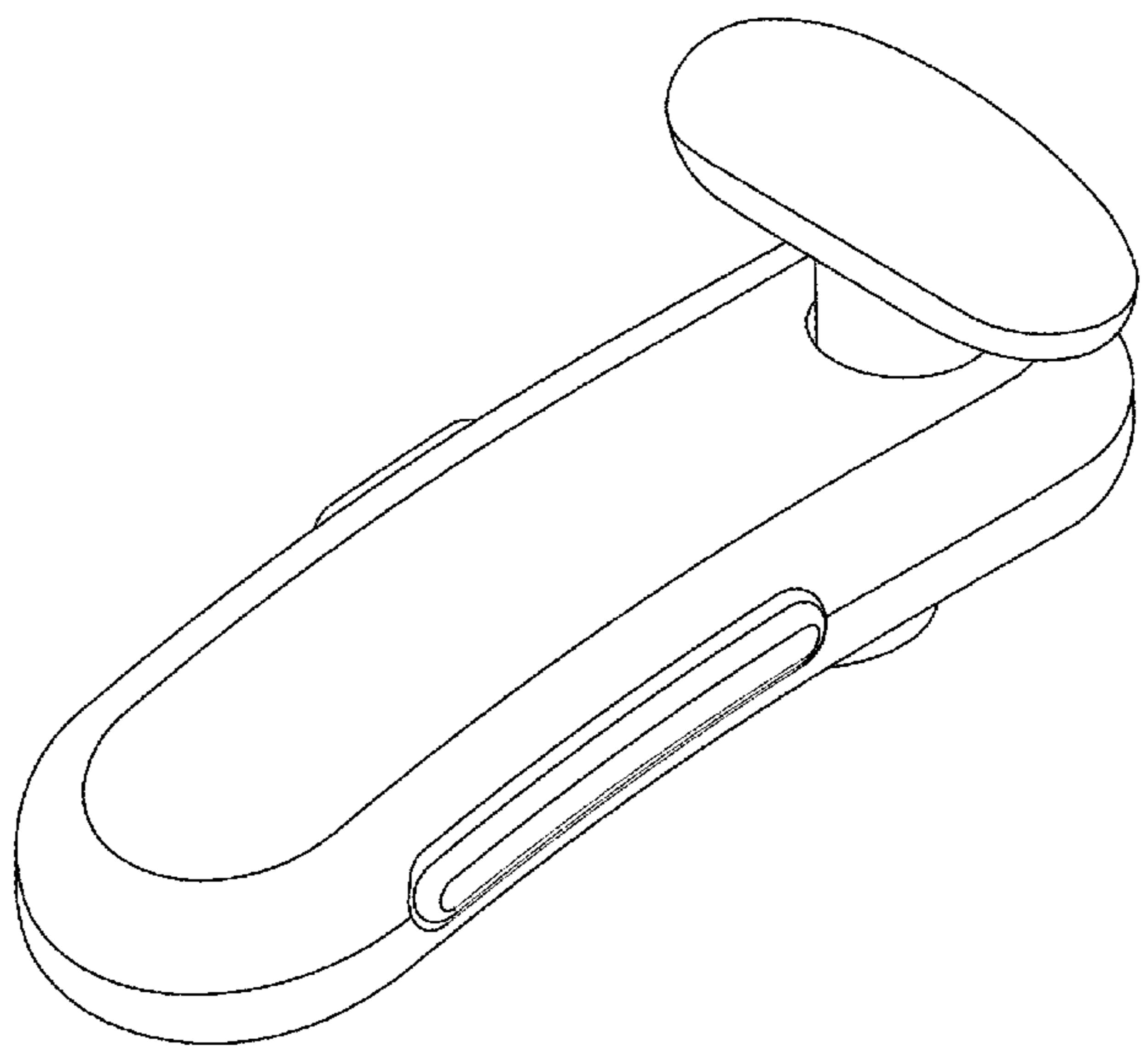
D263,197 S 3/1982 Kelly
D269,151 S 5/1983 Schulein
4,563,818 A 1/1986 Kreth et al.
D282,521 S 2/1986 Steinko
D292,866 S * 11/1987 Barnett D8/41
4,825,554 A * 5/1989 Koo B67B 7/34
30/417
D304,900 S 12/1989 Miquelot
D326,039 S 5/1992 Viemeister
5,181,322 A * 1/1993 Koo B67B 7/34
30/416
5,197,197 A * 3/1993 Himmighofen B67B 7/34
30/260
D339,723 S 9/1993 Tanfoglio
D366,197 S 1/1996 Laib
D393,403 S 4/1998 Tse
D397,009 S 8/1998 Hon
5,794,353 A * 8/1998 Lin B67B 7/34
30/417
D404,269 S 1/1999 Chang
D404,270 S 1/1999 Chang
D405,332 S 2/1999 So

(Continued)
Primary Examiner — Elizabeth A. Albert
(74) *Attorney, Agent, or Firm* — Dorsey & Whitney LLP

(57) **CLAIM**
The ornamental design for a can opener, as shown and
described.

DESCRIPTION
FIG. 1 is an isometric view of a can opener in accordance
with the present design.
FIG. 2 is a front elevation view thereof.
FIG. 3 is a rear elevation view thereof.
FIG. 4 is a right side elevation view thereof.
FIG. 5 is a left side elevation view thereof.
FIG. 6 is a top plan view thereof; and,
FIG. 7 is a bottom plan view thereof.

1 Claim, 7 Drawing Sheets



(56)

References Cited

U.S. PATENT DOCUMENTS

D406,026 S	2/1999	So		D501,770 S	2/2005	Di Bitonto et al.	
D406,027 S	2/1999	So		D501,772 S	2/2005	Overthun et al.	
D406,222 S	3/1999	Wong		6,851,195 B2 *	2/2005	So	B67B 7/34
D409,888 S	5/1999	So					30/416
D410,180 S	5/1999	So		D510,690 S	10/2005	Greiner	
D415,666 S	10/1999	Ho		D513,950 S	1/2006	So	
6,094,828 A	8/2000	Chong		D521,827 S	5/2006	So	
D436,508 S	1/2001	Roberts		D522,824 S	6/2006	Mcguyer	
6,182,368 B1 *	2/2001	So	B67B 7/34	7,121,009 B2	10/2006	Robbins et al.	
			30/416	D537,687 S	3/2007	Parlowski et al.	
D441,626 S	5/2001	Greiner		D558,011 S	12/2007	Bodum	
D442,044 S	5/2001	Juhlin et al.		D560,454 S	1/2008	Raia	
D454,472 S	3/2002	Sum		D562,658 S	2/2008	So	
D455,940 S	4/2002	Tse		D583,207 S	12/2008	Eide et al.	
D458,819 S	6/2002	Levien		7,784,190 B2 *	8/2010	So	B67B 7/34
D459,962 S	7/2002	Chong					30/416
D466,771 S	12/2002	Chang		D624,377 S *	9/2010	Mah	D8/40
D471,412 S	3/2003	Greiner		D634,597 S *	3/2011	Mah	D8/41
D474,083 S	5/2003	Lo		D649,849 S	12/2011	Bates et al.	
6,618,886 B2	9/2003	Herren		D657,643 S *	4/2012	Mah	D8/40
6,647,631 B2	11/2003	So		D693,195 S	11/2013	Poure	
6,671,970 B2 *	1/2004	Chong	B67B 7/34	D711,710 S	8/2014	Greiner	
			30/410	D721,560 S	1/2015	Roberts et al.	
6,675,487 B2	1/2004	So		D748,960 S	2/2016	Schuler et al.	
D488,975 S	4/2004	Overthun et al.		D801,142 S	10/2017	Cornu	
D488,976 S	4/2004	Chen		D809,945 S	2/2018	Prommel et al.	
D495,571 S	9/2004	Brousseau et al.		10,125,000 B2 *	11/2018	Kent	B67B 7/34
6,829,832 B2	12/2004	Chang		D834,904 S *	12/2018	Ozturk	D8/41
				D846,961 S *	4/2019	Holding	D8/40
				2006/0179669 A1	8/2006	Robbins et al.	
				2016/0221814 A1	8/2016	Kent	

* cited by examiner

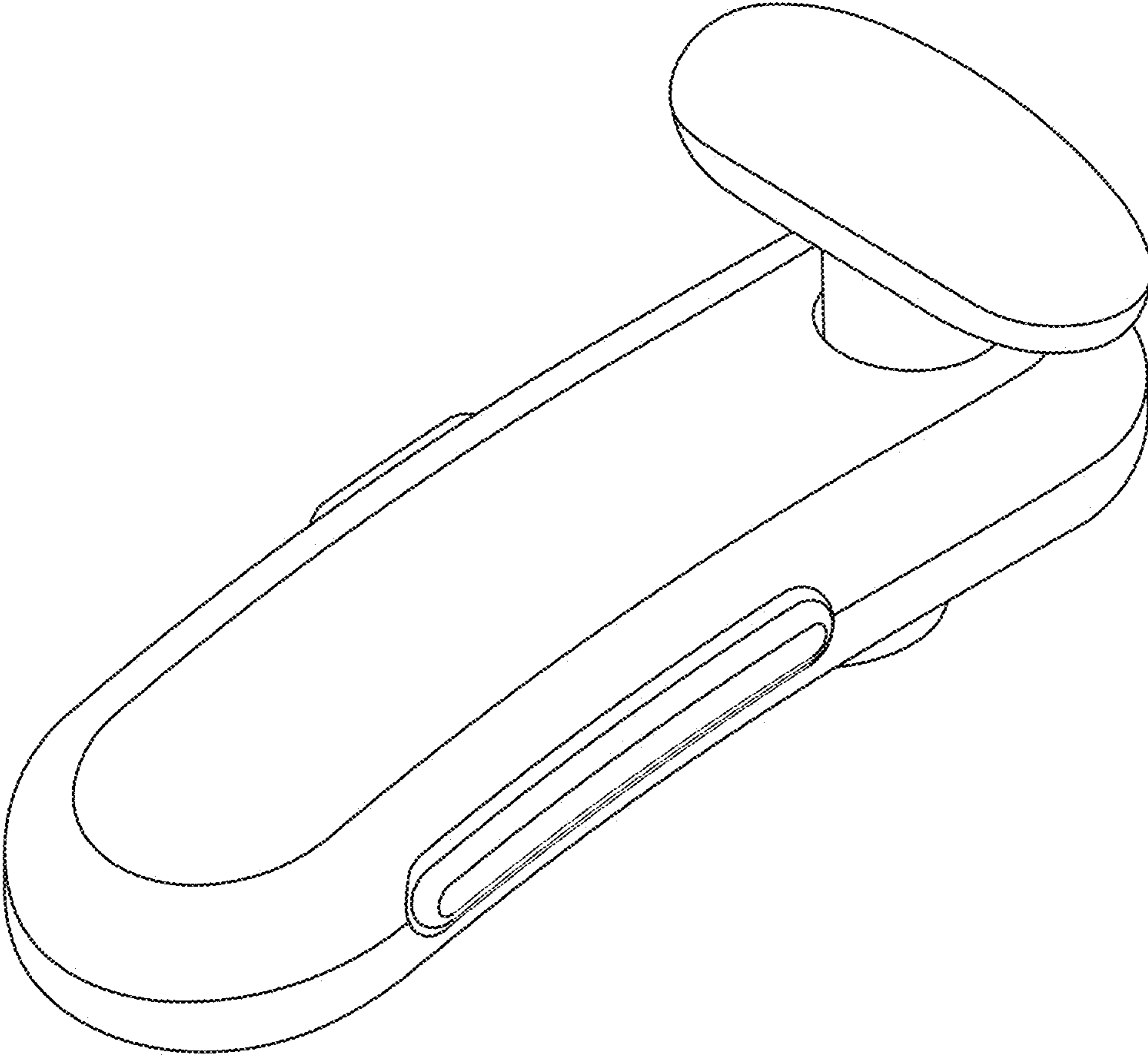


FIG. 1

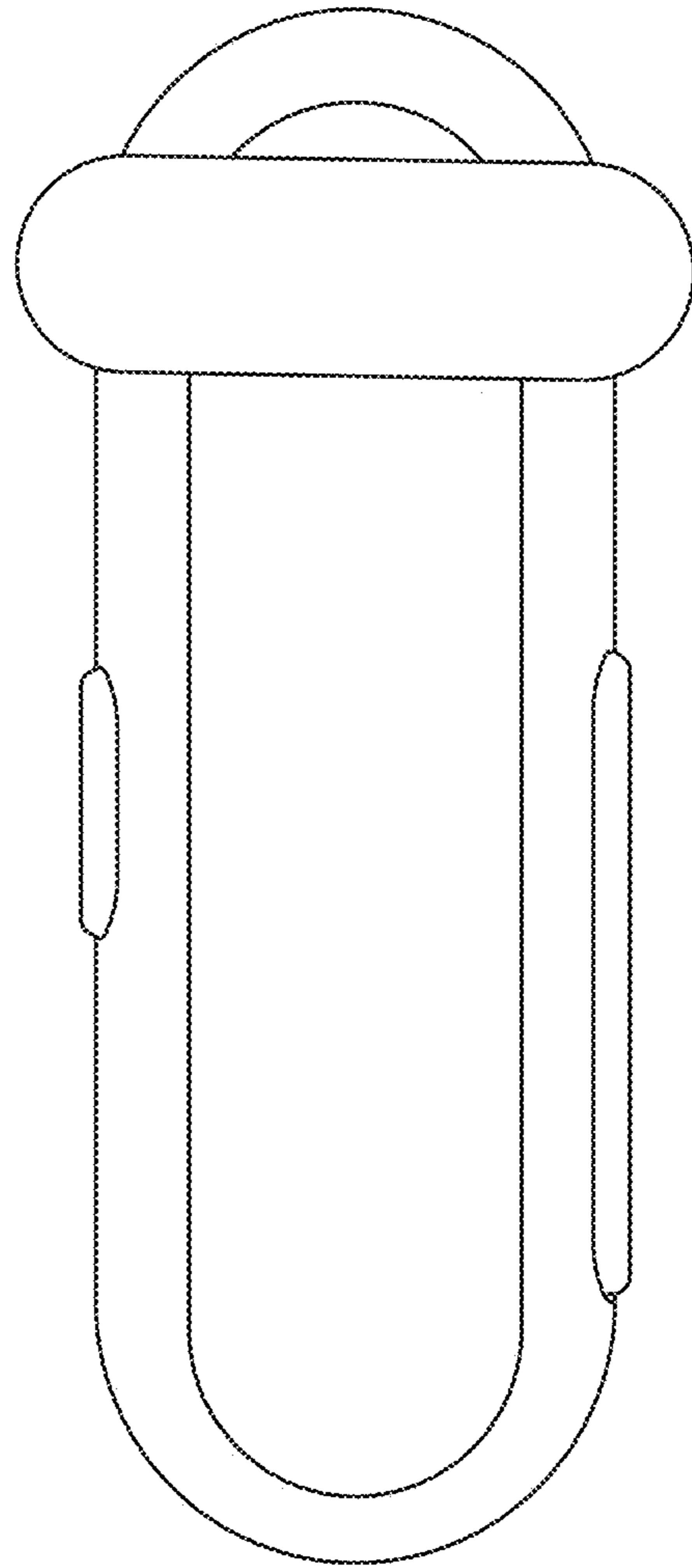


FIG. 2

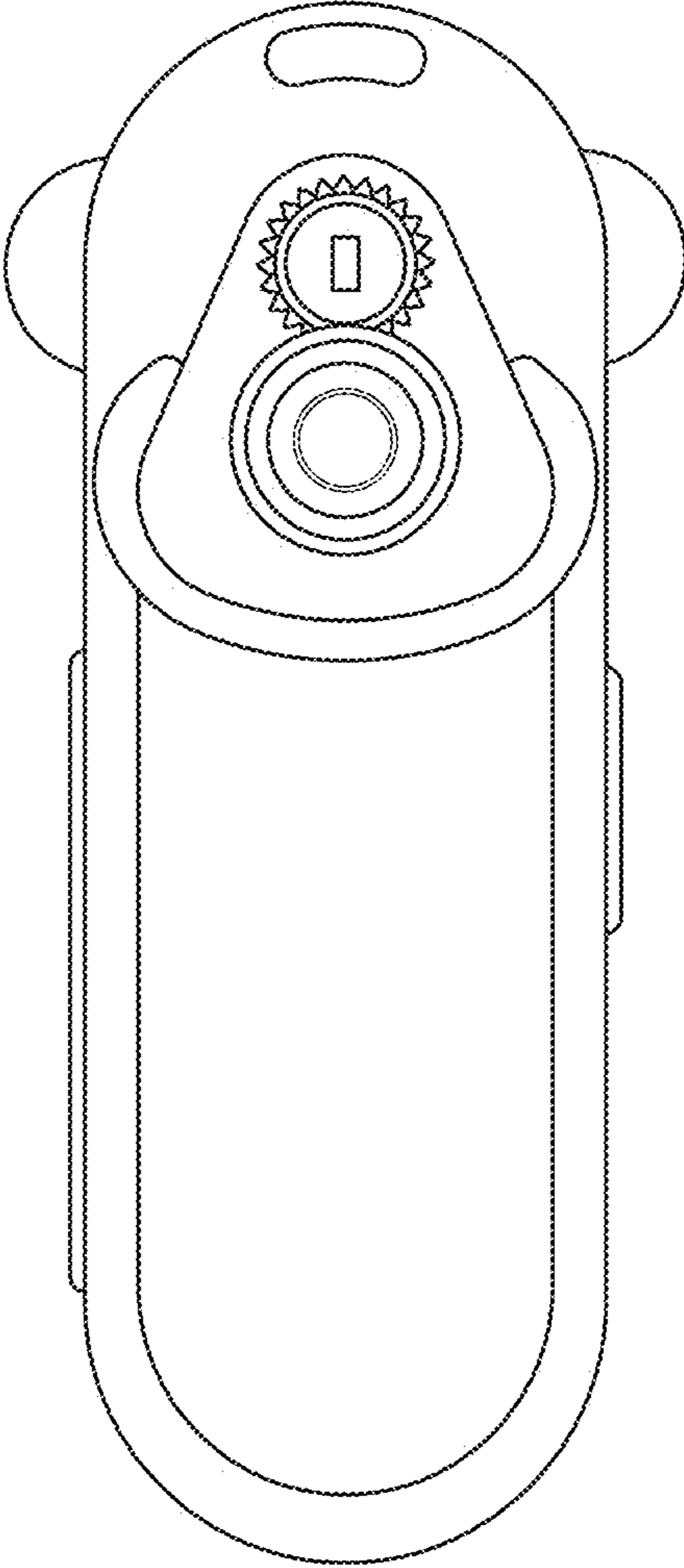


FIG. 3

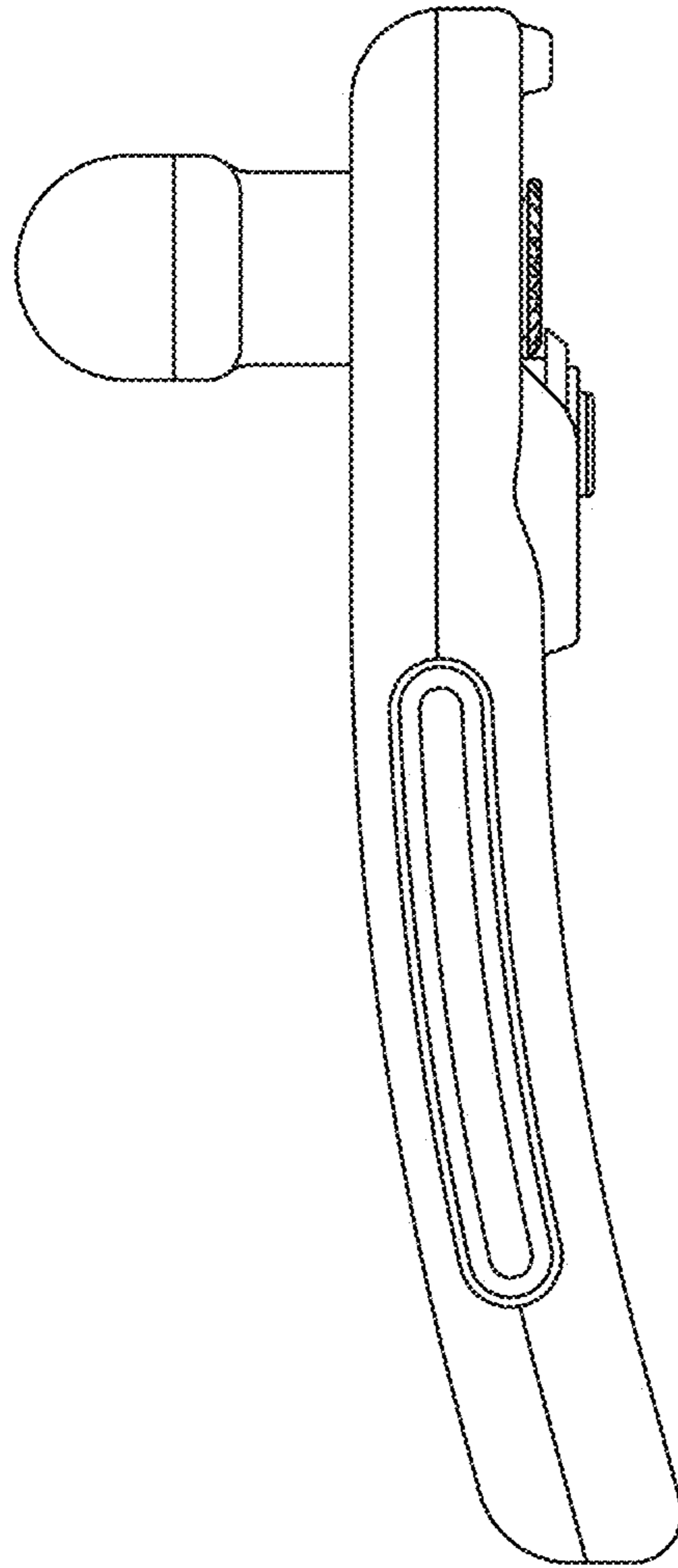


FIG. 4

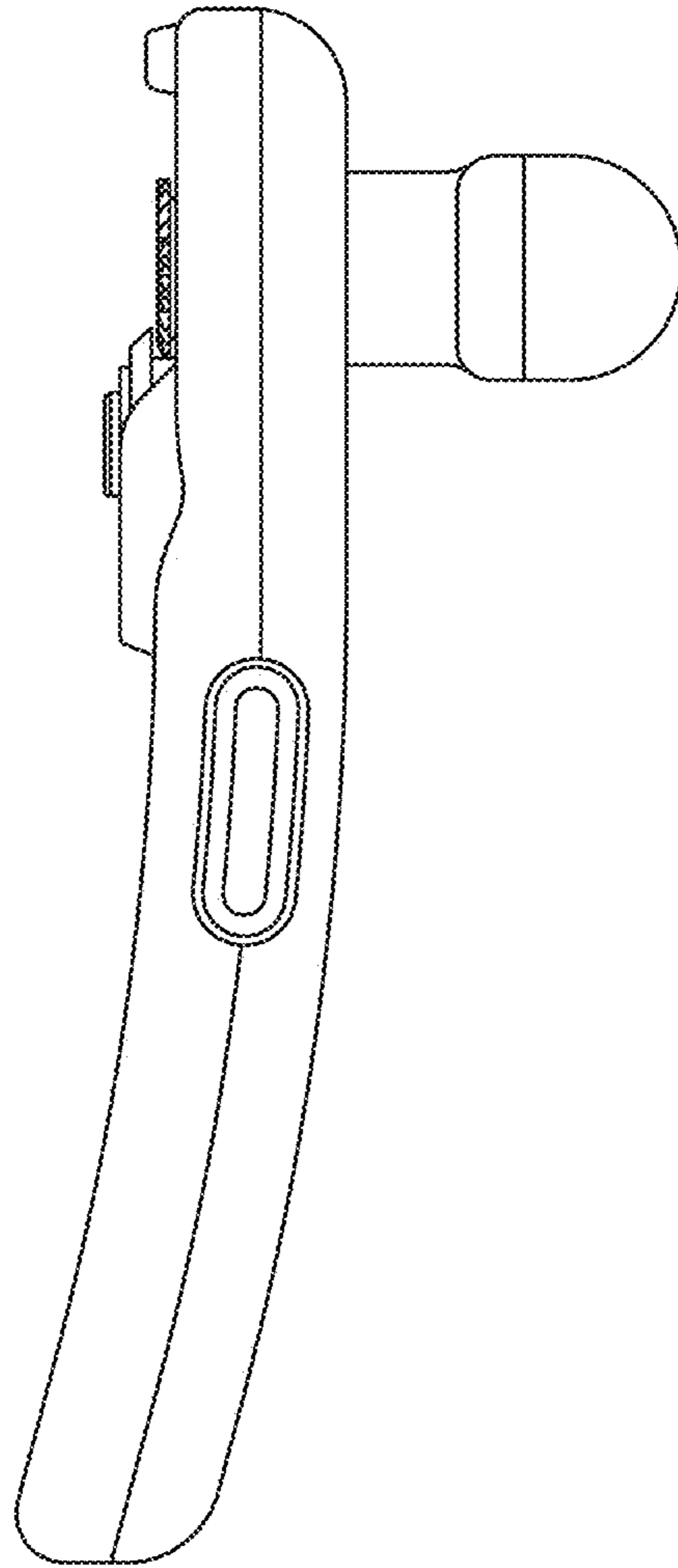


FIG. 5

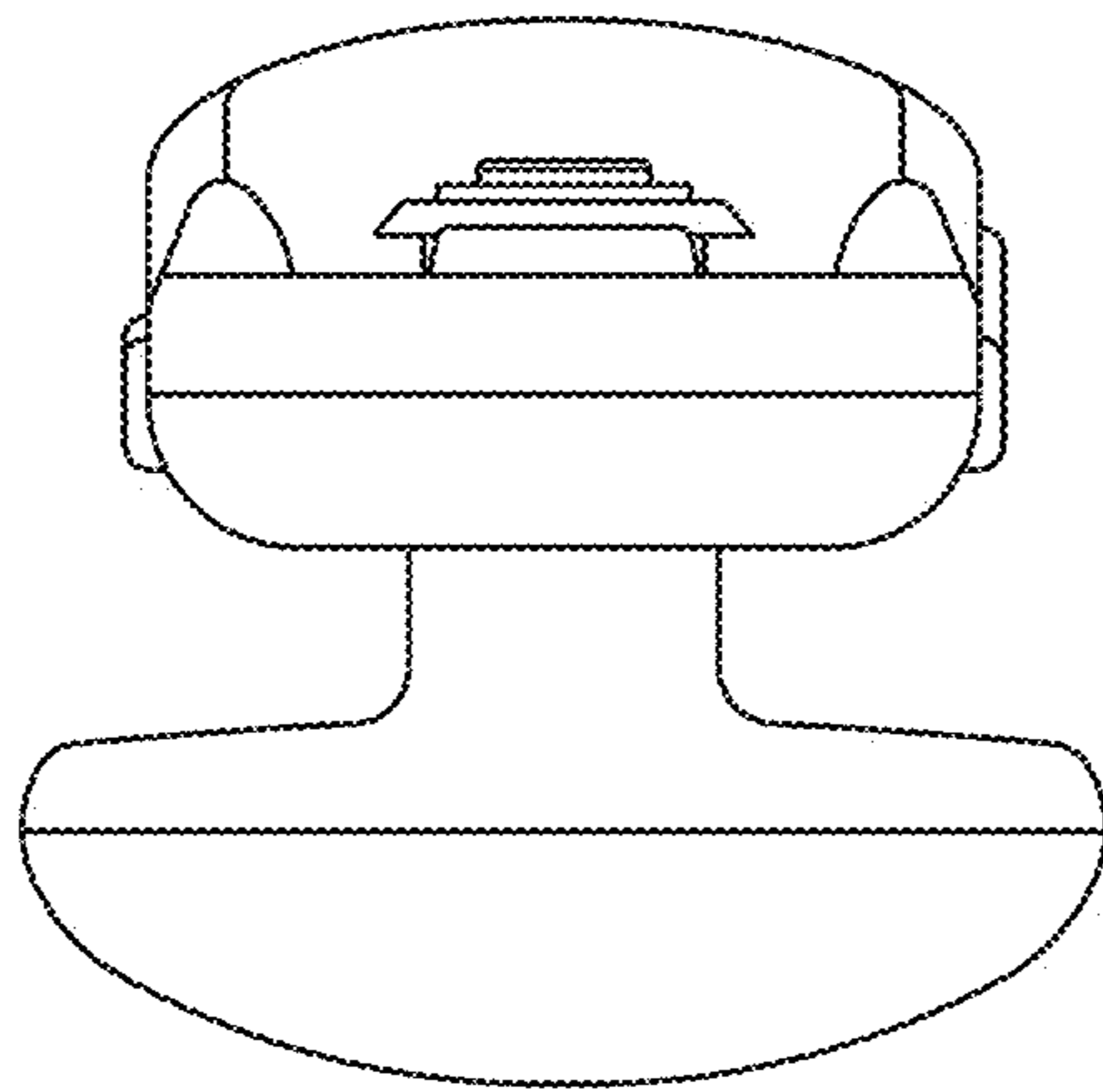


FIG. 6

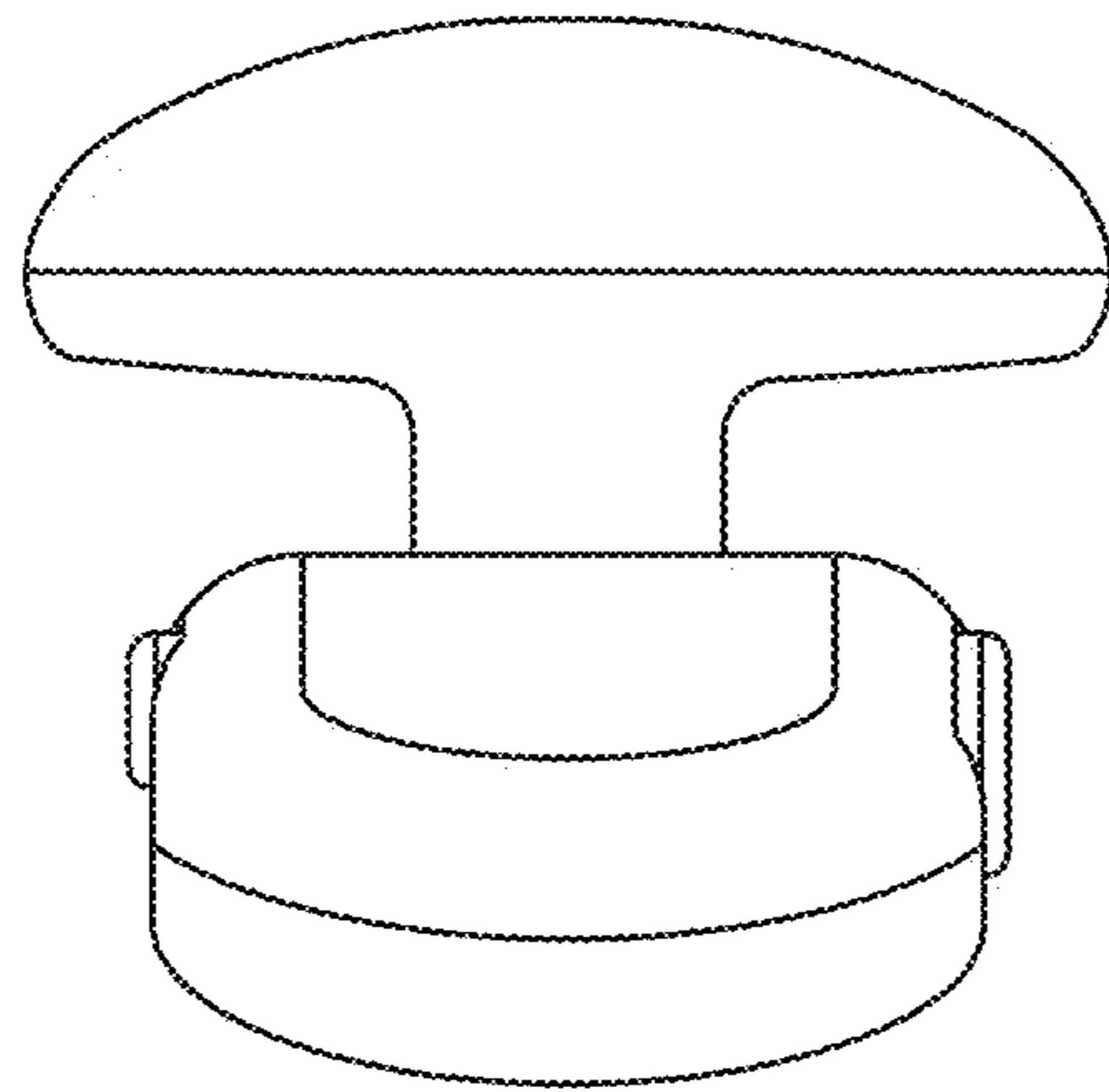


FIG. 7