



US00D873635S

(12) **United States Design Patent**
Braver

(10) **Patent No.:** **US D873,635 S**

(45) **Date of Patent:** **** Jan. 28, 2020**

(54) **BLOCKING TOOL**

(71) Applicant: **Justin Braver**, Pittsburgh, PA (US)

(72) Inventor: **Justin Braver**, Pittsburgh, PA (US)

(**) Term: **15 Years**

(21) Appl. No.: **29/658,996**

(22) Filed: **Aug. 4, 2018**

(51) **LOC (12) Cl.** **08-05**

(52) **U.S. Cl.**
USPC **D8/14**

(58) **Field of Classification Search**
USPC D8/14, 88, 89
CPC A47F 13/06; B65G 1/06; B25J 1/04
See application file for complete search history.

(56) **References Cited**

U.S. PATENT DOCUMENTS

D385,076 S *	10/1997	Milbury	294/26
D395,808 S *	7/1998	Loucks	D8/105
D416,772 S *	11/1999	Milbury	D34/10
D456,484 S *	4/2002	D'Antico	D22/149
D512,285 S *	12/2005	Schwartz	D8/14
D583,638 S *	12/2008	Lautenbacher	D8/14
D600,082 S *	9/2009	Braver	D8/14
D651,055 S *	12/2011	Braver	D8/14

D679,560 S *	4/2013	Fehsenfeld	D8/14
D701,098 S *	3/2014	Braver	D8/14
9,510,697 B2 *	12/2016	Wagner	A47F 13/06
2009/0261607 A1 *	10/2009	Braver	A47F 13/06 294/26

* cited by examiner

Primary Examiner — Philip S Hyder

(57) **CLAIM**

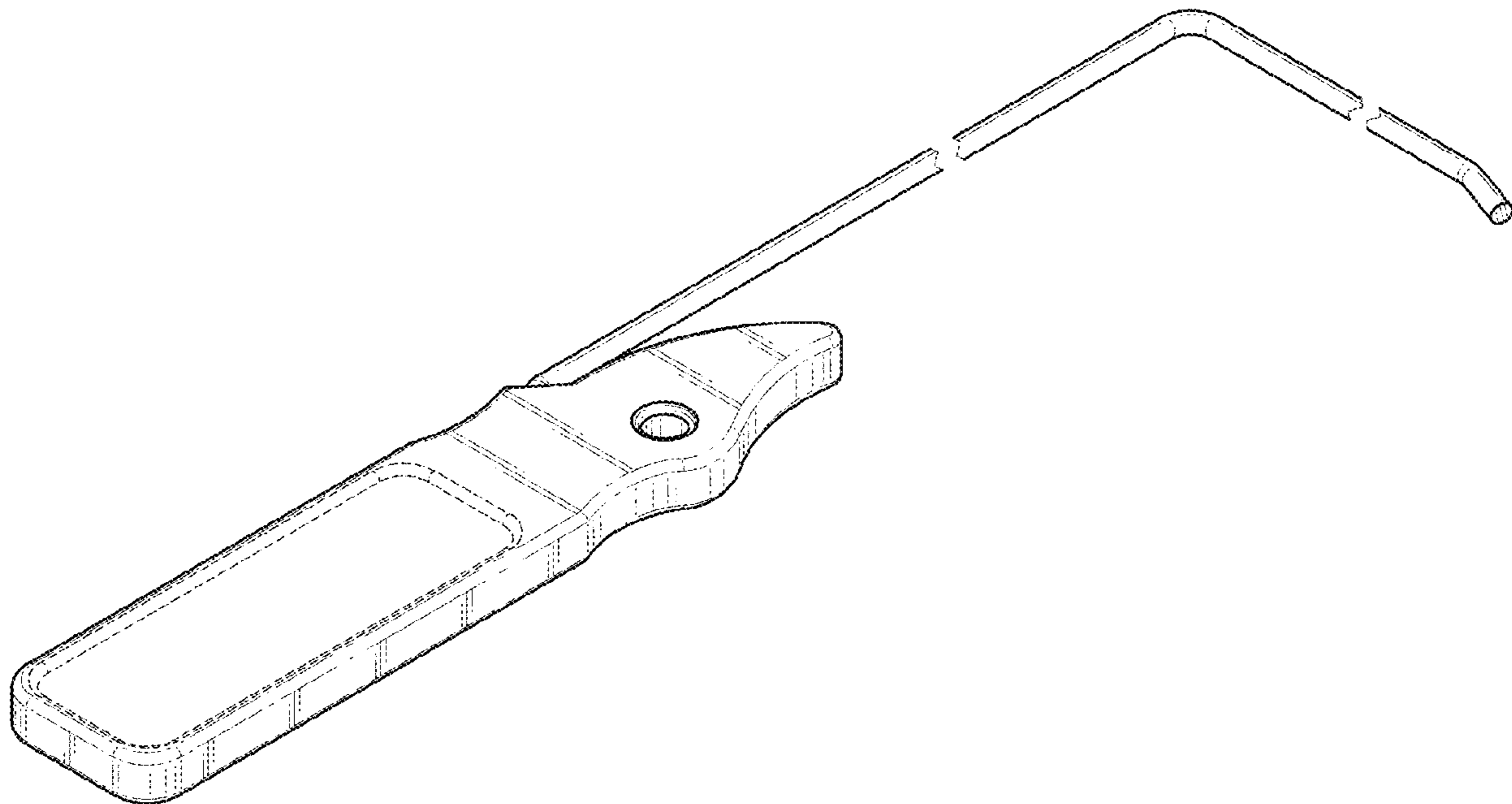
I claim the ornamental design for a blocking tool, as shown and described.

DESCRIPTION

FIG. 1 is a perspective view of the blocking tool;
FIG. 2 is a top side view thereof;
FIG. 3 is a left side view thereof;
FIG. 4 is a front side view thereof;
FIG. 5 is a right side view thereof;
FIG. 6 is a rear side view thereof, opposite the view in FIG. 4; and,
FIG. 7 is a bottom side view thereof, opposite the view in FIG. 2.

The broken lines depict portions of the blocking tool in which the design is embodied that are not considered part of the claimed design. The long-short lines representing the perimeter of the handle are used to represent the curvature of the handle and are part of the claimed design.

1 Claim, 3 Drawing Sheets



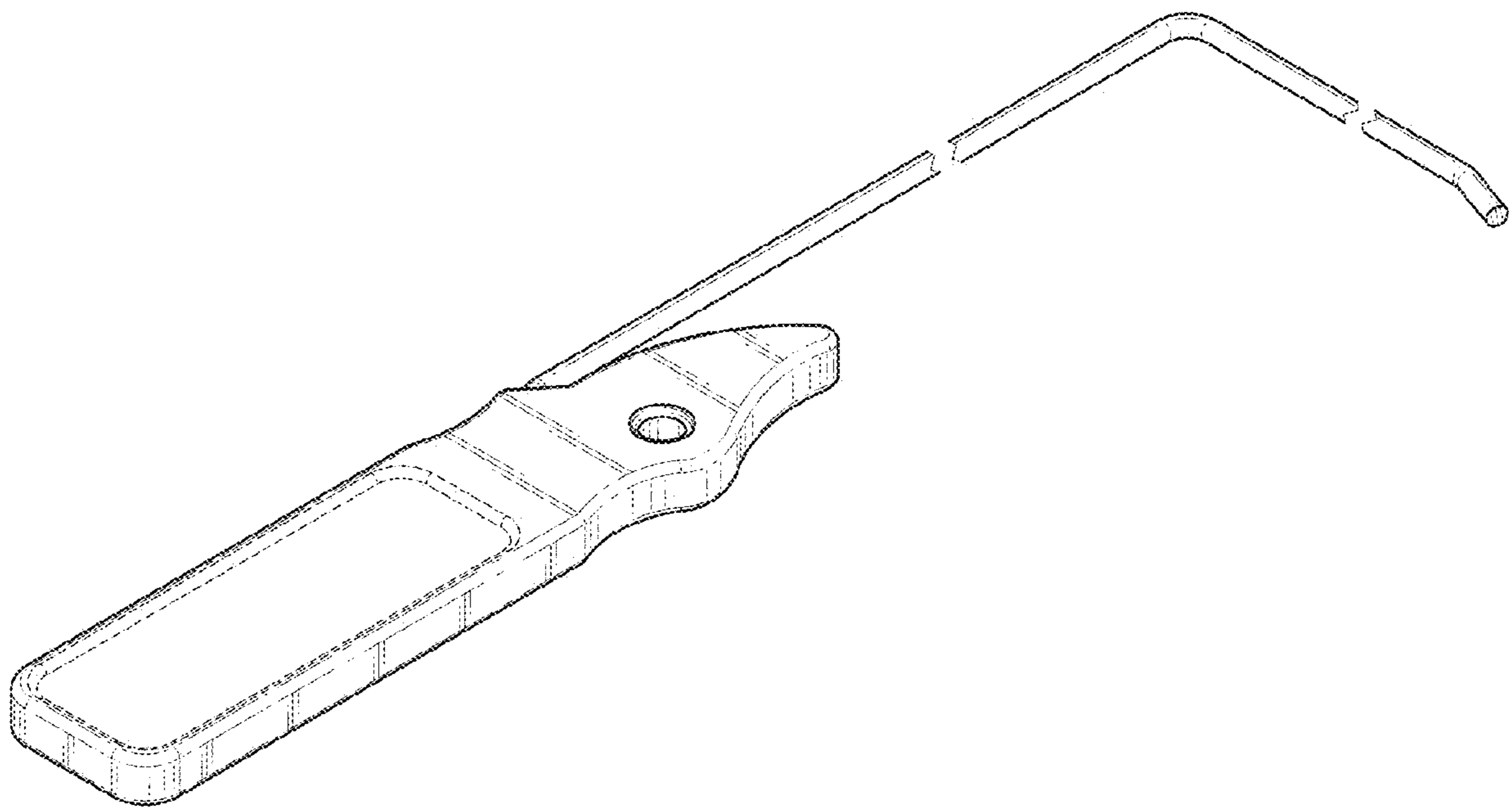


FIG. 1

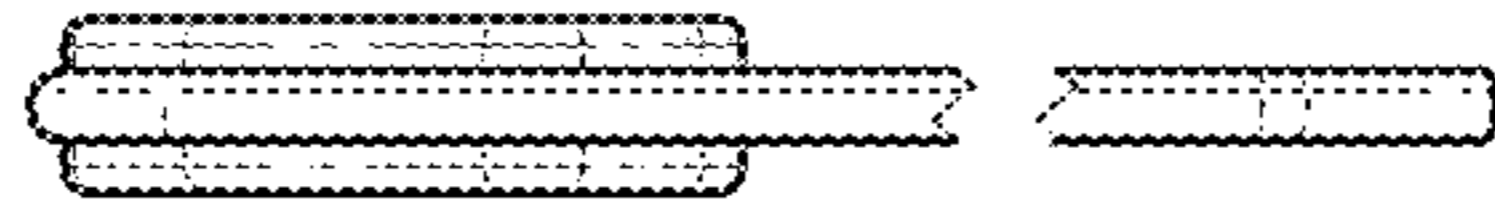


FIG. 2

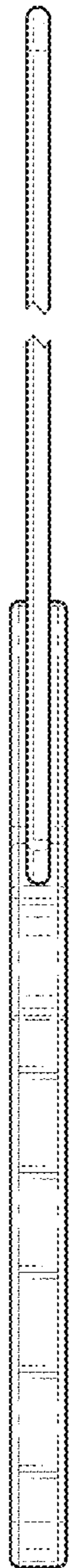


FIG. 3

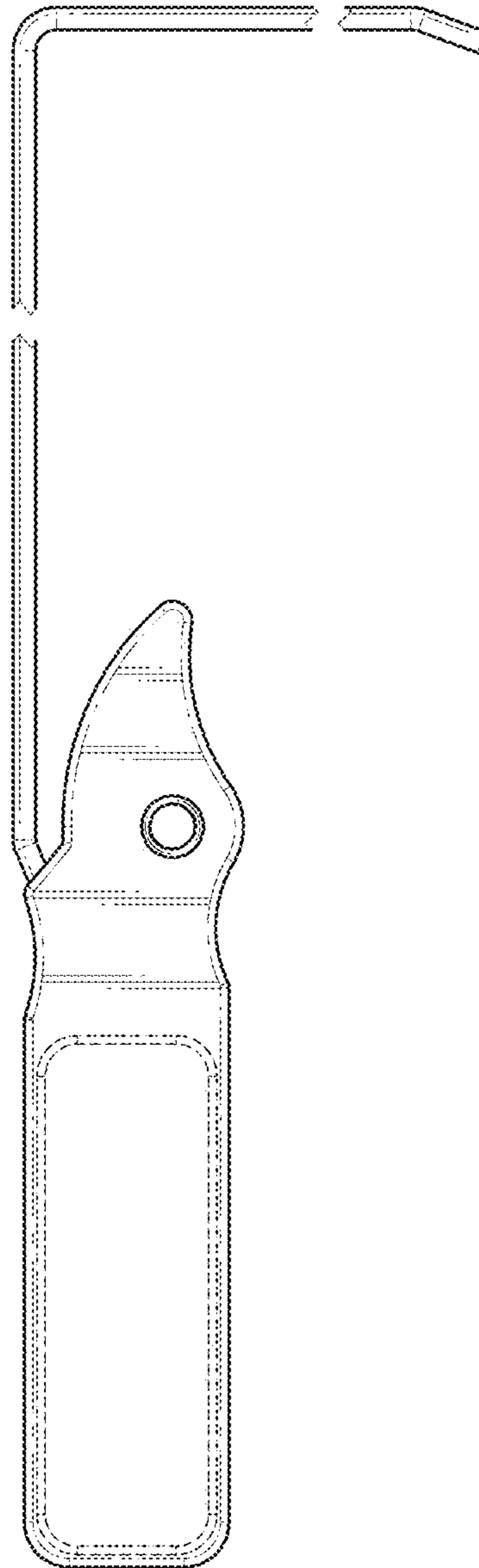


FIG. 4

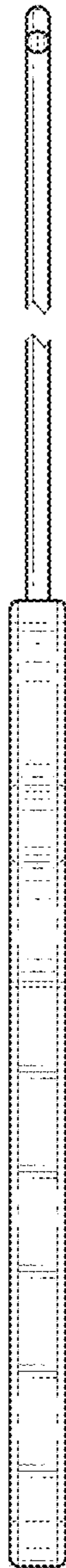


FIG. 5

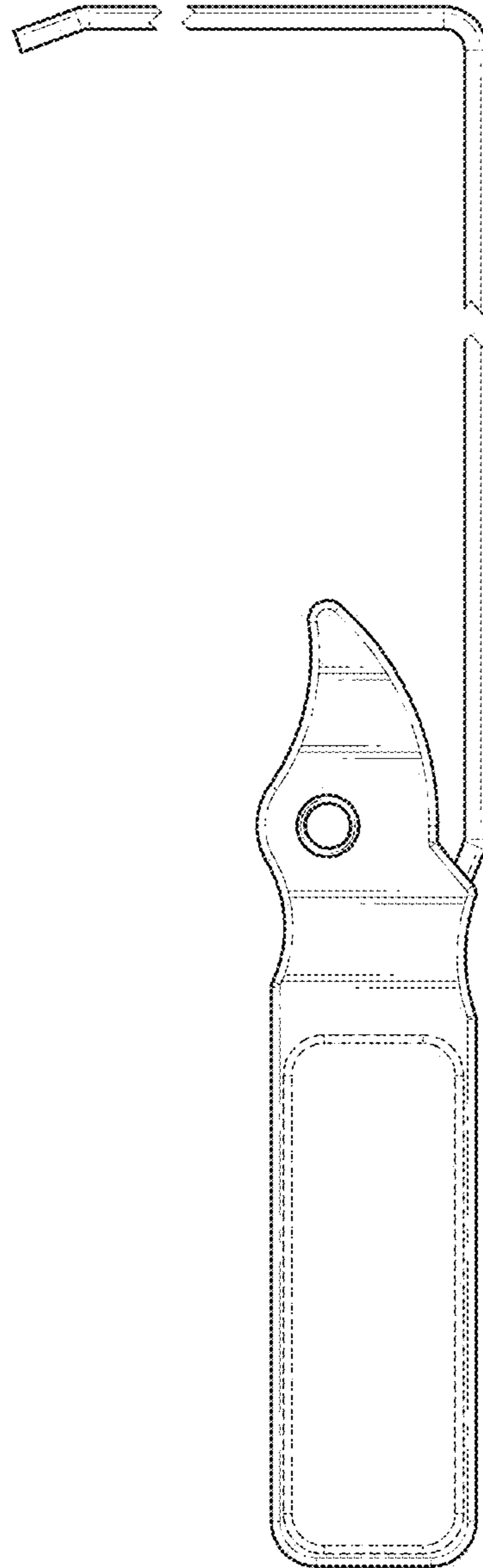


FIG. 6

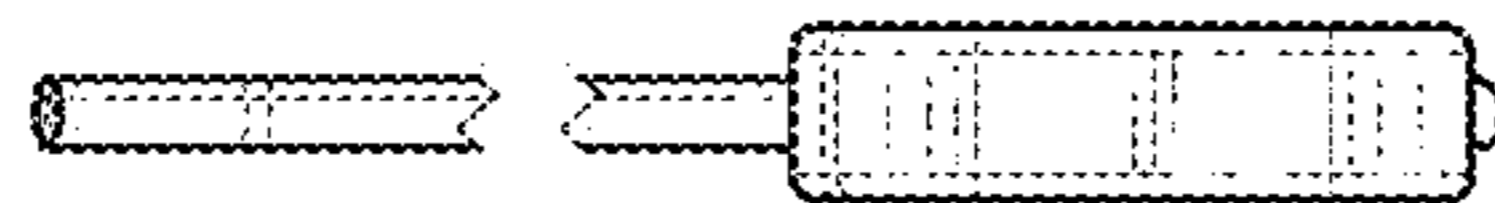


FIG. 7