



US00D873633S

(12) **United States Design Patent** (10) **Patent No.:** **US D873,633 S**
Arnell et al. (45) **Date of Patent:** **** Jan. 28, 2020**

(54) **POLESAW HANDLE**
(71) Applicant: **Changzhou Globe Co., Ltd.**,
Changzhou, Jiangsu (CN)
(72) Inventors: **Thomas Arnell**, Huskvarna (SE);
Yangping Qiu, Jiangsu (CN)
(73) Assignee: **Changzhou Globe Co., Ltd.**,
Changzhou, Jiangsu (CN)
(**) Term: **15 Years**
(21) Appl. No.: **29/642,028**
(22) Filed: **Mar. 27, 2018**
(30) **Foreign Application Priority Data**
Sep. 27, 2017 (CN) 2017 3 0462773
(51) **LOC (12) Cl.** **08-01**
(52) **U.S. Cl.**
USPC **D8/8**
(58) **Field of Classification Search**
USPC D8/7, 8, 9, 65; D15/14, 17
CPC A01D 34/01; A01D 34/84; A01D 34/90;
A01D 34/02; A01D 34/08; A01D 34/412;
A01D 34/824; A01G 3/067; A01G 3/06;
A01G 3/062; A01G 3/085; A01G 3/088;
A01G 3/00; B25F 5/02; B25F 5/026
See application file for complete search history.

(56) **References Cited**
U.S. PATENT DOCUMENTS
5,265,341 A * 11/1993 Kikuchi A01D 34/902
30/276
D352,430 S * 11/1994 Kikuchi D8/8
D367,595 S * 3/1996 Dahlberg D8/8
D566,505 S * 4/2008 Gieske D8/65
D668,515 S 10/2012 Landberg
D668,516 S * 10/2012 Landberg D8/8

D668,517 S * 10/2012 Landberg D8/8
D732,358 S * 6/2015 Tinius D8/9
D745,353 S * 12/2015 Pickett D8/65
D758,151 S * 6/2016 Tinius D8/8
D799,917 S * 10/2017 Mehra D8/8
D799,918 S * 10/2017 Mehra D8/8
D824,738 S * 8/2018 Nilsson D8/8
2011/0241457 A1 * 10/2011 Muller A01D 34/902
310/50
2012/0227270 A1 * 9/2012 Ito A01D 34/4167
30/286
2014/0246214 A1 * 9/2014 Racov A01D 34/902
173/217
2014/0259692 A1 * 9/2014 Racov A01D 34/90
30/277.4

* cited by examiner
Primary Examiner — Sandra S Snapp
Assistant Examiner — Ieisha N Price
(74) *Attorney, Agent, or Firm* — Dorton & Willis, LLP

(57) **CLAIM**
The ornamental design for a polesaw handle, as shown and described.

DESCRIPTION
FIG. 1 is front perspective view of a polesaw handle according to the present invention.
FIG. 2 is a rear perspective view thereof.
FIG. 3 is a bottom perspective view thereof.
FIG. 4 is a front view thereof.
FIG. 5 is a rear view thereof.
FIG. 6 is a left side view thereof.
FIG. 7 is a right side view thereof.
FIG. 8 is a top view thereof; and,
FIG. 9 is a bottom view thereof.
The superimposed areas encased in broken lines, shown in the drawings, illustrate portions of the polesaw handle and form no part of the claimed design.

1 Claim, 8 Drawing Sheets

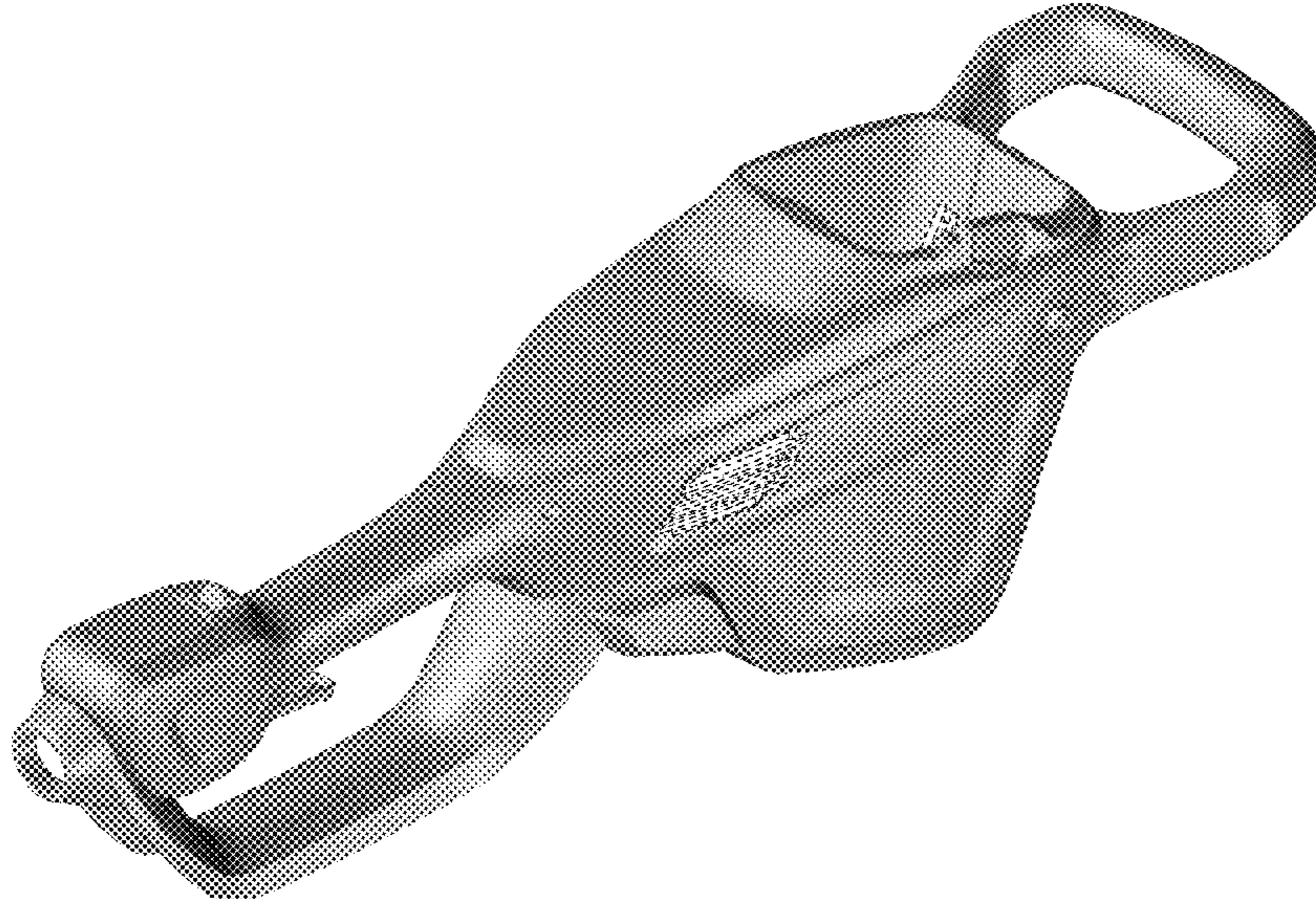




FIG. 1



FIG. 2



FIG. 3

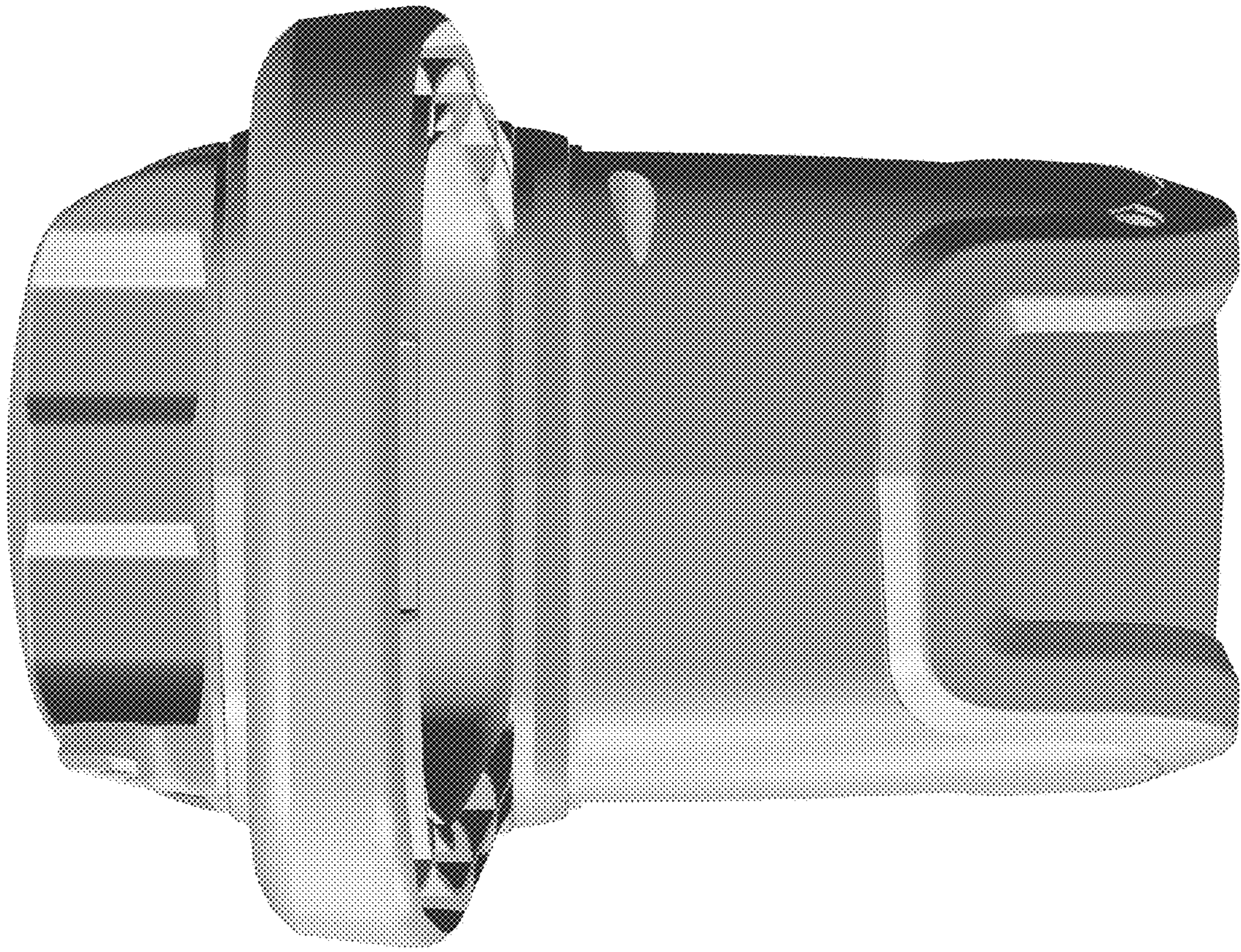


FIG. 5

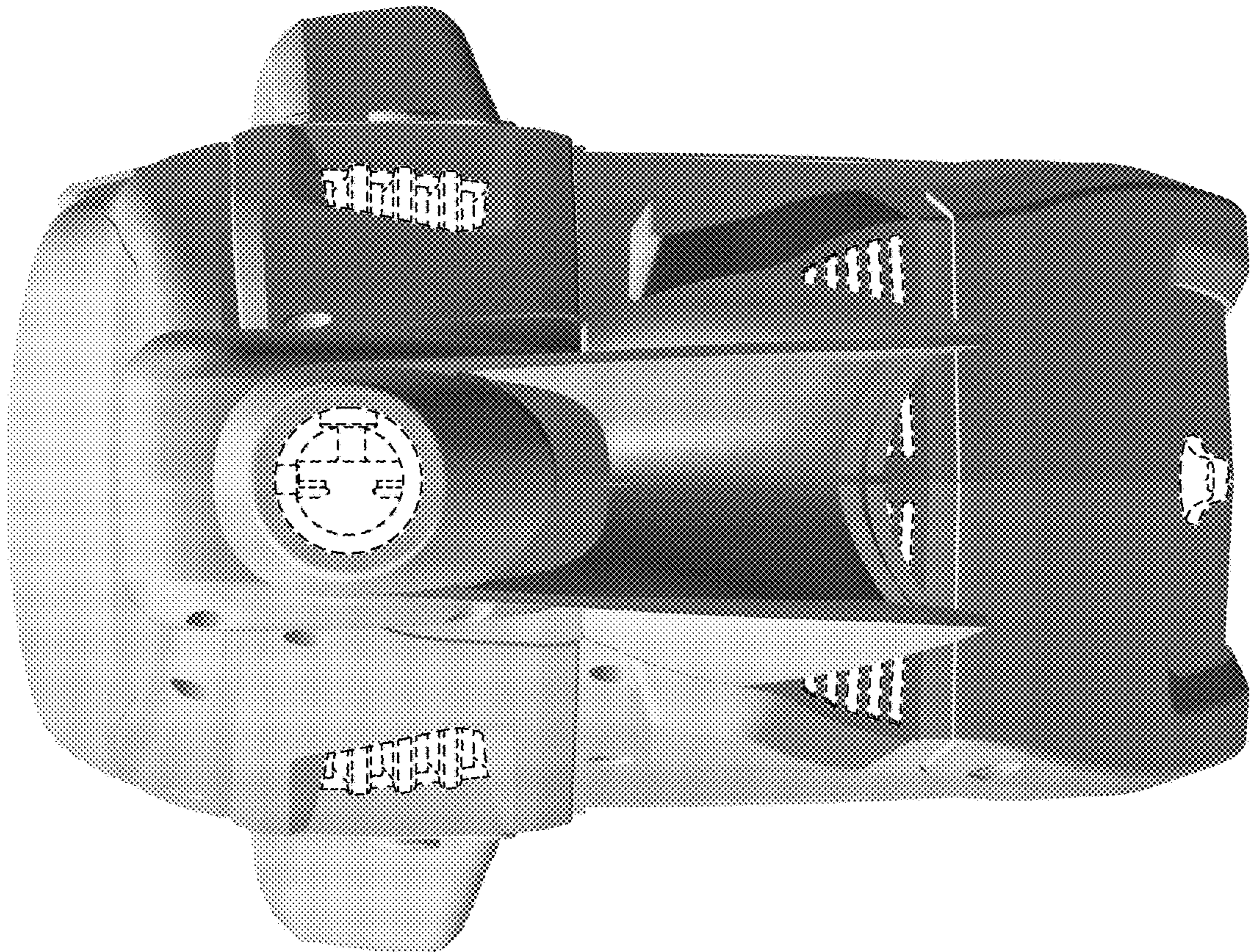


FIG. 4

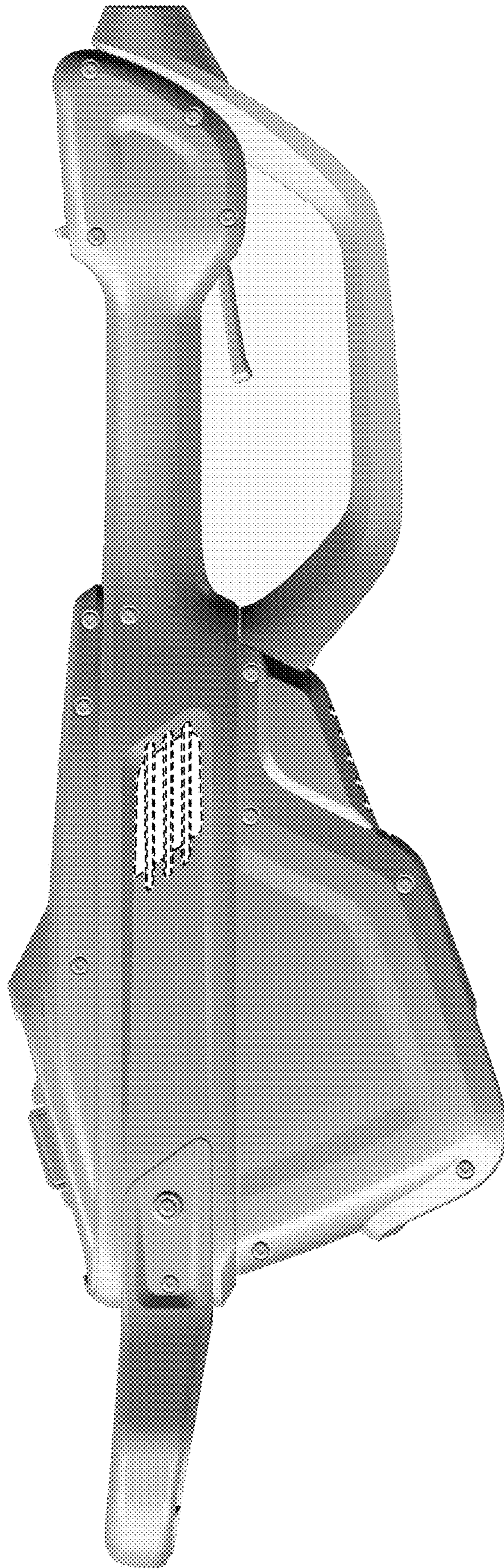


FIG. 6

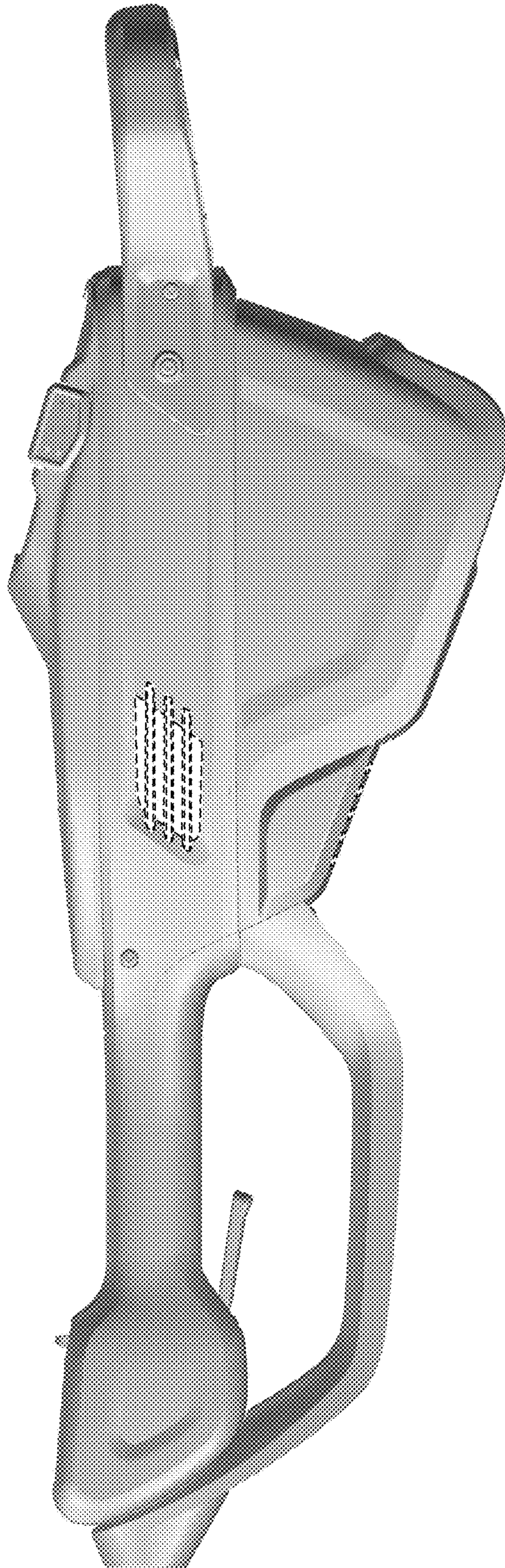


FIG. 7

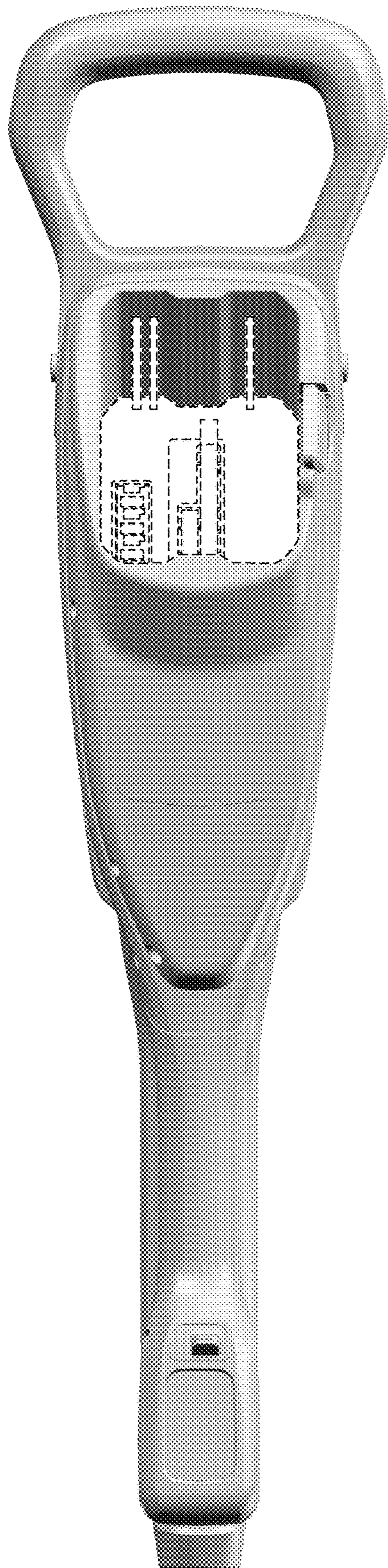


FIG. 8

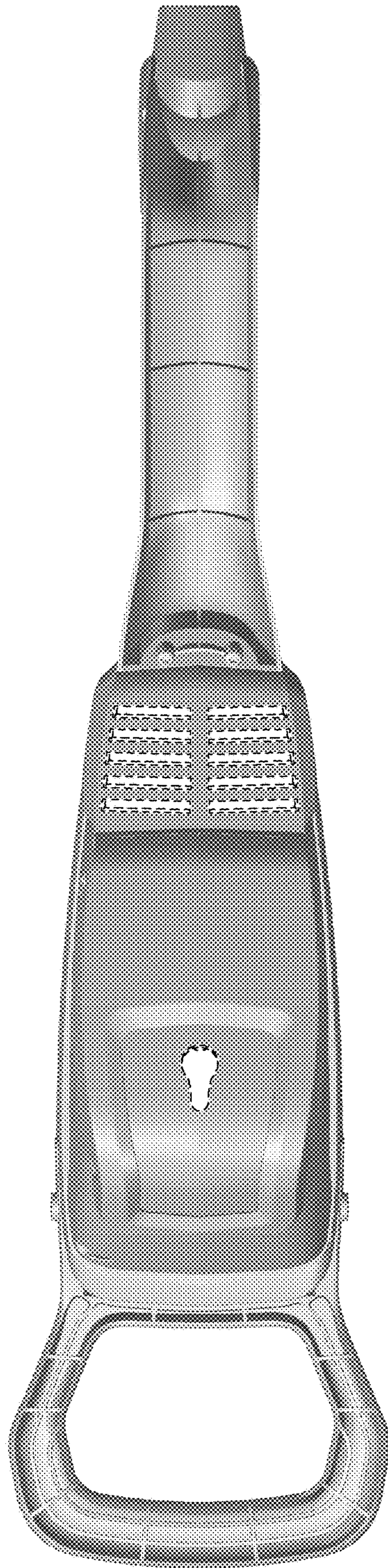


FIG. 9