



US00D873630S

(12) **United States Design Patent**
Zemel et al.

(10) **Patent No.:** **US D873,630 S**
(45) **Date of Patent:** **** Jan. 28, 2020**

(54) **UTENSIL**

(71) Applicant: **Mr. Bar-B-Q Products LLC**, Melville, NY (US)

(72) Inventors: **Marc Zemel**, Melville, NY (US);
Joanne Rudis, Melville, NY (US)

(73) Assignee: **MR. BAR-B-Q PRODUCTS LLC**, Melville, NY (US)

(**) Term: **15 Years**

(21) Appl. No.: **29/660,901**

(22) Filed: **Aug. 23, 2018**

(51) **LOC (12) Cl.** **07-04**

(52) **U.S. Cl.**
USPC **D7/691**

(58) **Field of Classification Search**
USPC D7/688, 691, 692, 409, 354, 412; D8/1, D8/10; D32/35, 40, 74
CPC A47F 13/08; A47F 13/00; B65D 61/246; A47J 43/28; A47J 43/281; A47J 43/282; A61J 7/0023; A47G 21/04; A47G 21/02; G01F 19/002; G01F 19/00; A01B 1/02; F24B 15/06; A01K 1/014
See application file for complete search history.

(56) **References Cited**

U.S. PATENT DOCUMENTS

D324,321 S * 3/1992 Eckman D7/361
2018/0020874 A1 * 1/2018 Madanat A47J 37/1223
426/438
2019/0174956 A1 * 6/2019 Tanaka A47J 37/1295

OTHER PUBLICATIONS

WebstaurantStore Food Service Equipment and Supply Company, Pitco B7490701 Fryer Crumb Scoop, <https://www.webstaurantstore.com/pitco-b7490701-fryer-crumb-scoop/HPB7490701.html>, accessed Dec. 20, 2018.

* cited by examiner

Primary Examiner — Terry A Wallace

(74) *Attorney, Agent, or Firm* — Carter, DeLuca & Farrell LLP

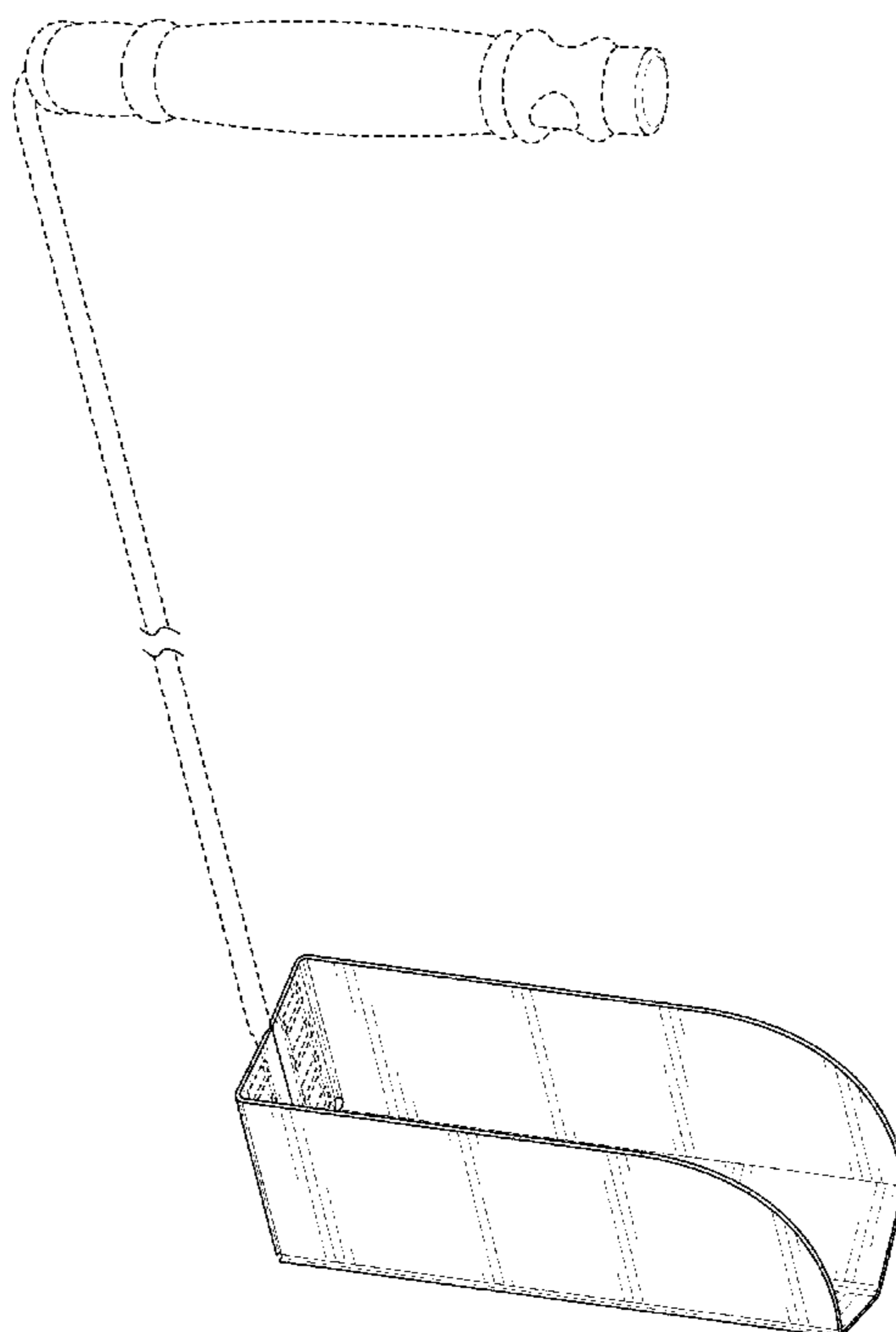
(57) **CLAIM**

The ornamental design for a utensil, as shown and described.

DESCRIPTION

FIG. 1 is a perspective view of a utensil in accordance with the present design;
FIG. 2 is a right side elevational view thereof;
FIG. 3 is a left side elevational view thereof;
FIG. 4 is a front elevational view thereof;
FIG. 5 is a rear elevational view thereof;
FIG. 6 is a top plan view thereof; and,
FIG. 7 is a bottom plan view thereof.
The broken lines shown in the drawings illustrate portions of the utensil that form no part of the claimed design.

1 Claim, 5 Drawing Sheets



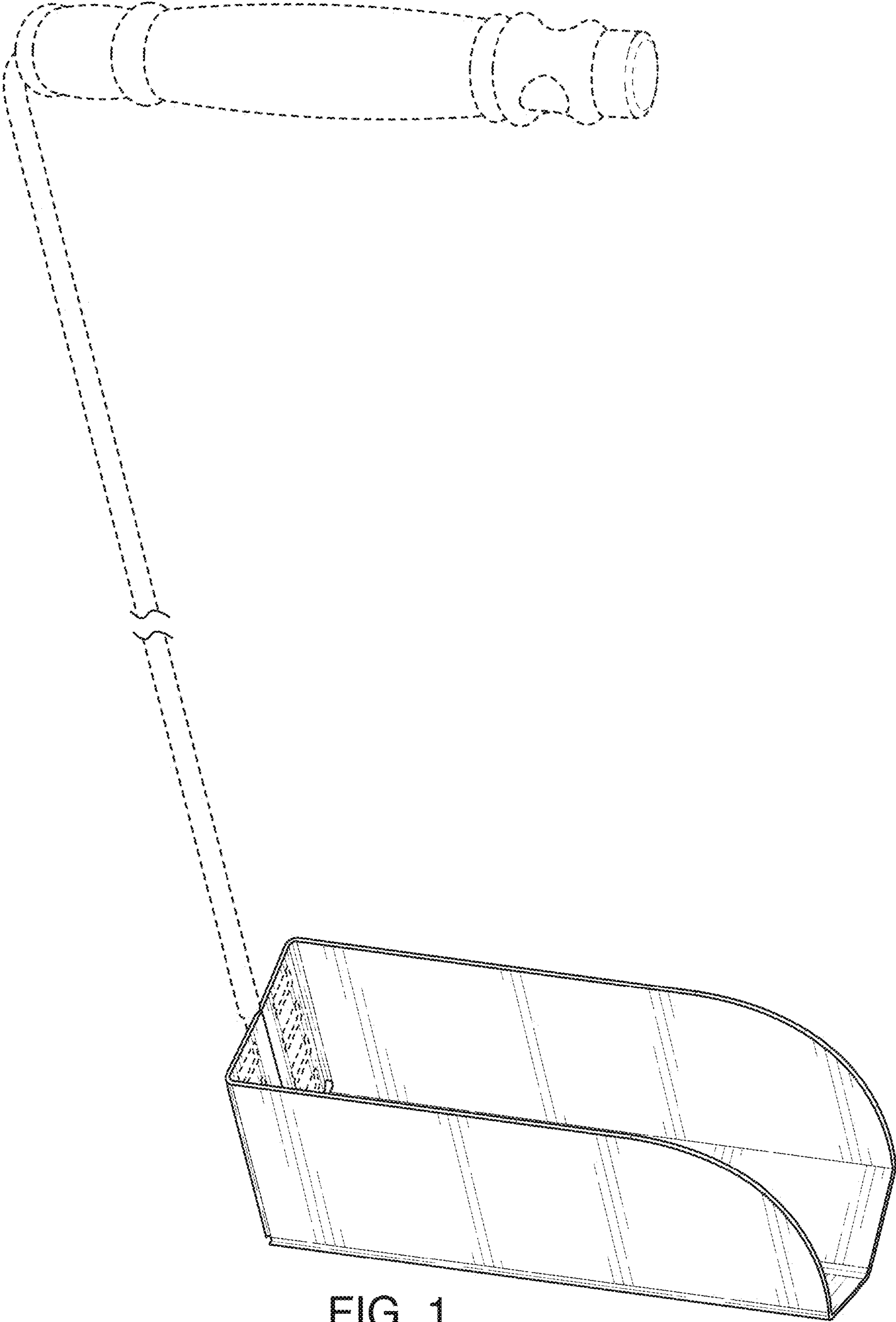


FIG. 1

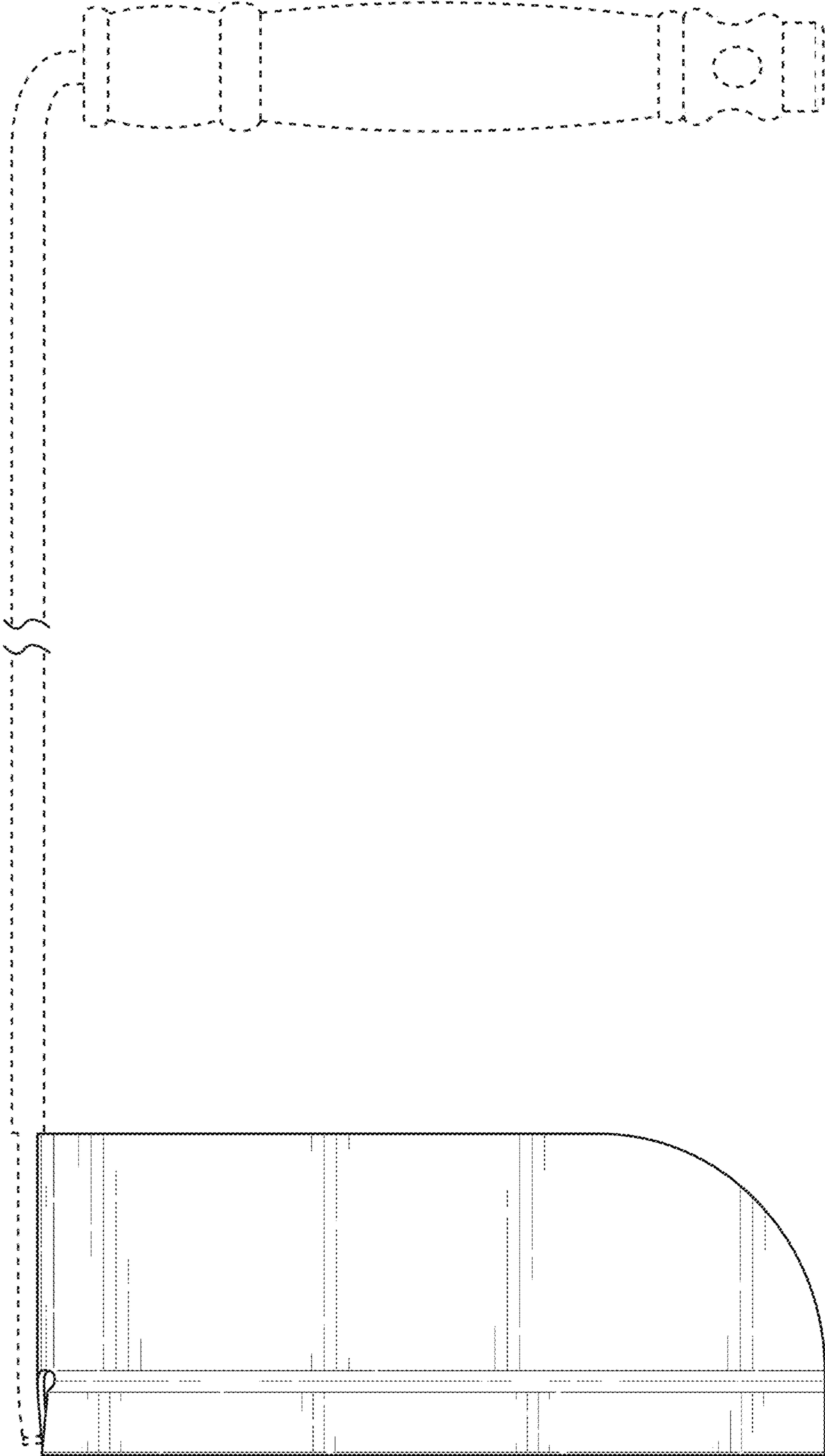


FIG. 2

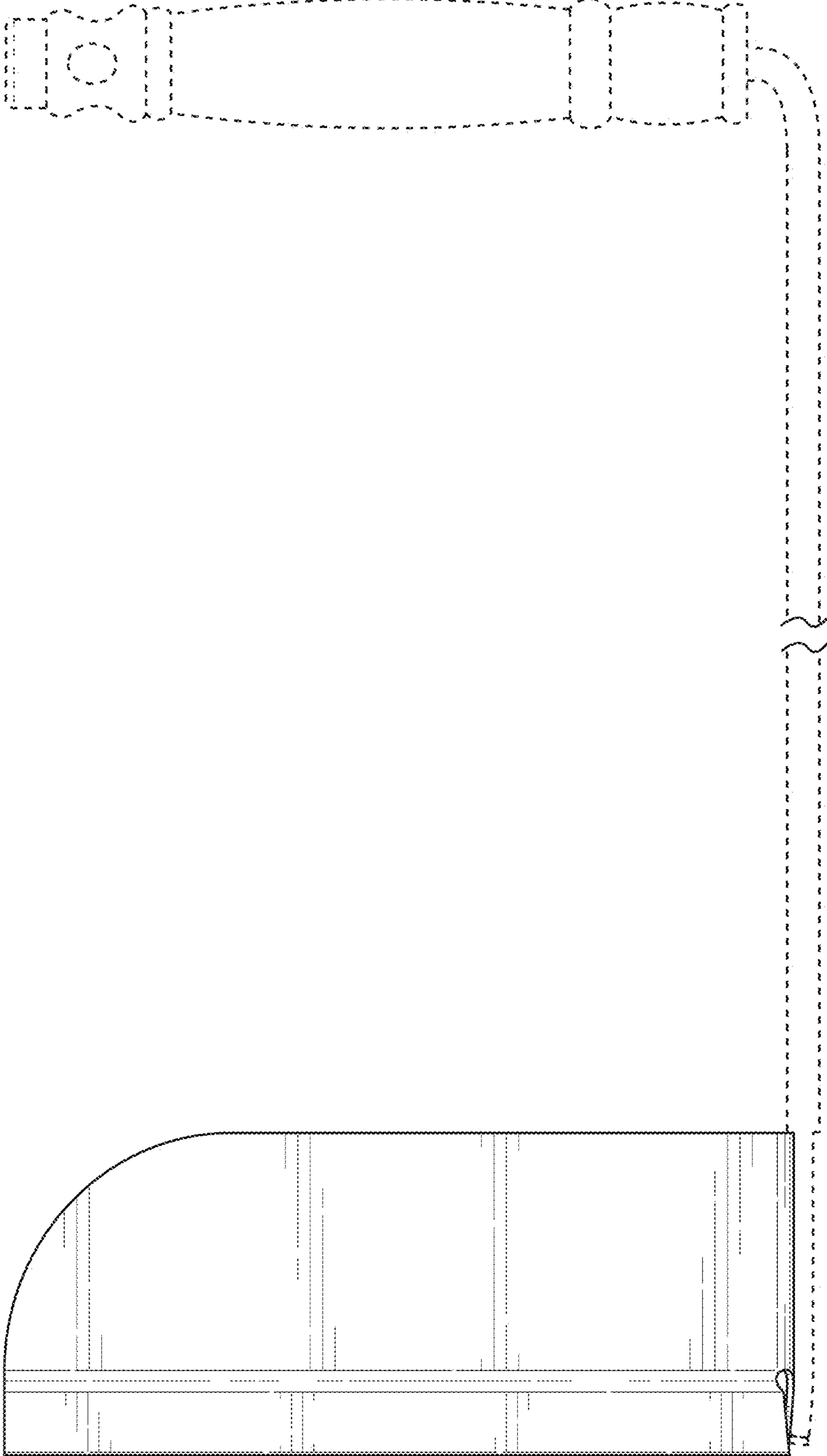


FIG. 3

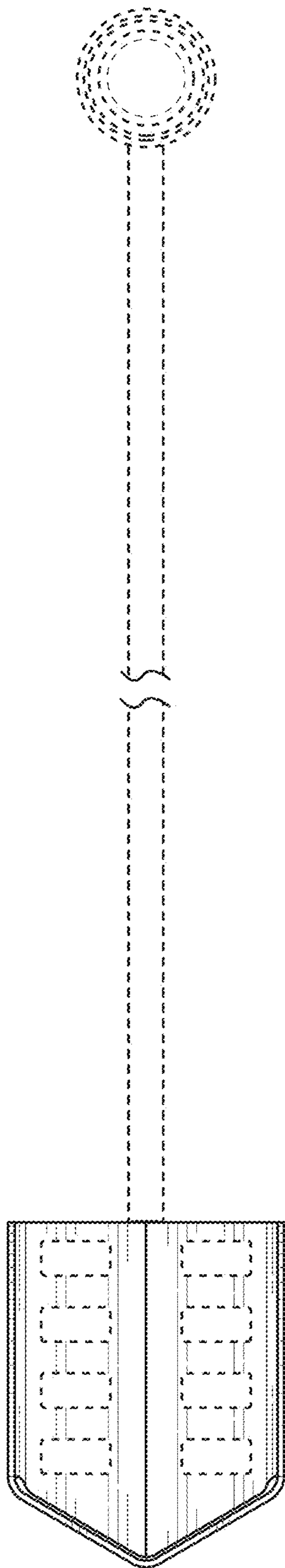


FIG. 4

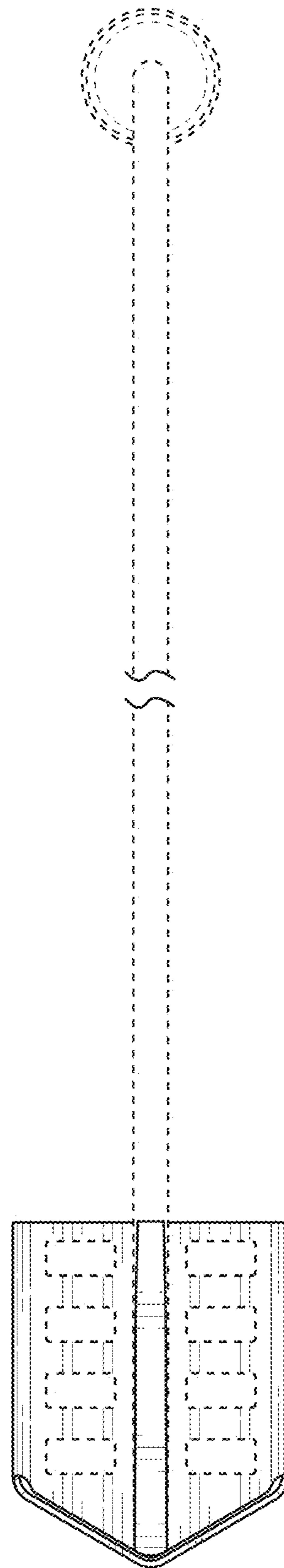


FIG. 5

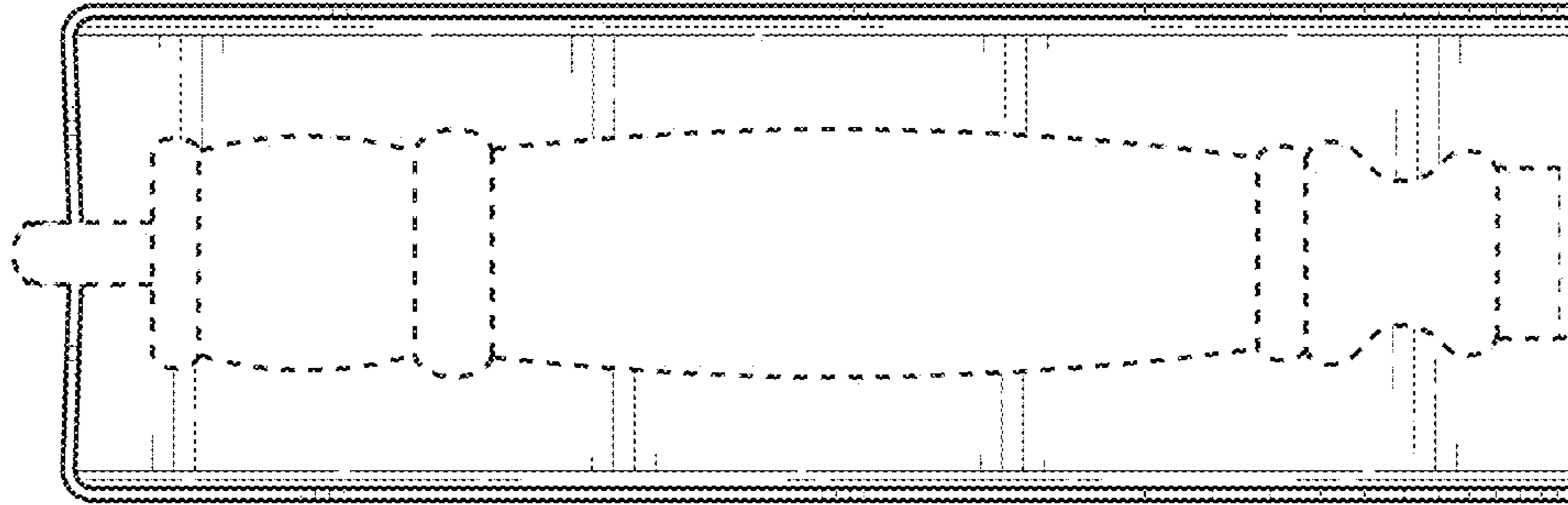


FIG. 6

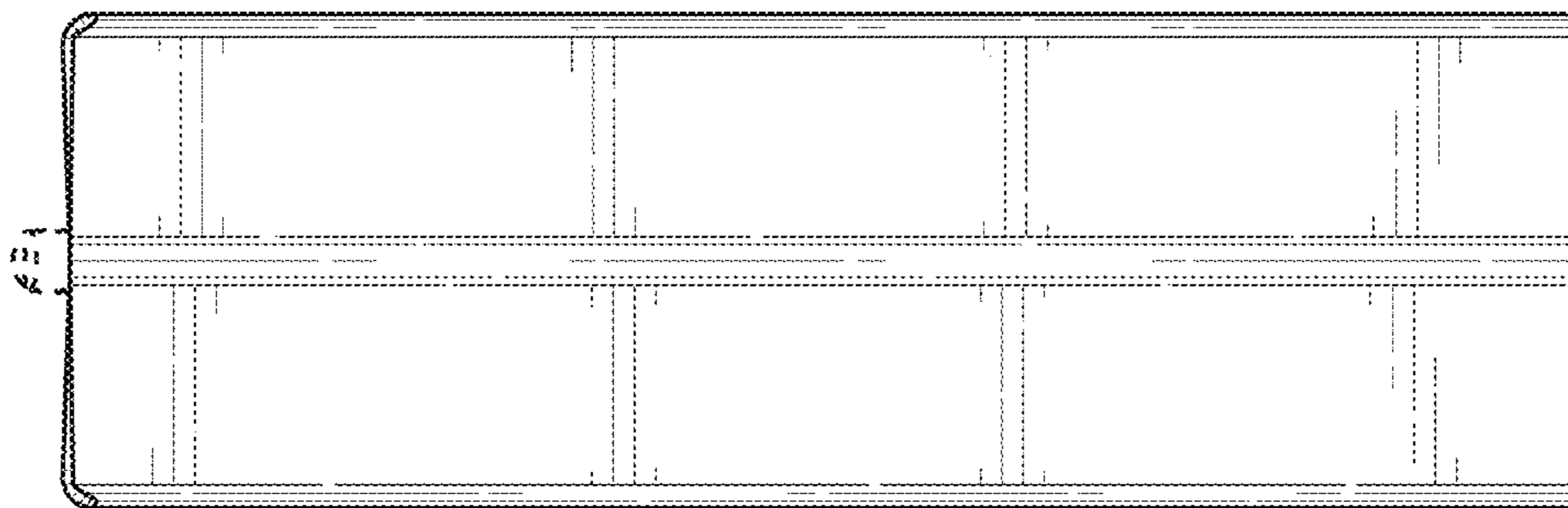


FIG. 7