



US00D873629S

(12) **United States Design Patent**
Brouillac

(10) **Patent No.:** **US D873,629 S**

(45) **Date of Patent:** **** Jan. 28, 2020**

- (54) **SPICE MILL**
- (71) Applicant: **PEUGEOT SAVEURS**, Quingey (FR)
- (72) Inventor: **Nicolas Brouillac**, Saint Vit (FR)
- (73) Assignee: **PEUGEOT SAVEURS**, Quingey (FR)
- (**) Term: **15 Years**
- (21) Appl. No.: **35/506,165**
- (22) Filed: **Jul. 26, 2018**
- (80) **Hague Agreement Data**
 Int. Filing Date: **Jul. 26, 2018**
 Int. Reg. No.: **DM/103747**
 Int. Reg. Date: **Jul. 26, 2018**
 Int. Reg. Pub. Date: **Nov. 30, 2018**

D336,410 S *	6/1993	Ancona	D7/591
D336,598 S *	6/1993	Ancona	D7/679
D338,598 S *	8/1993	Ancona	D7/591
D344,214 S *	2/1994	Jorgensen	D7/679
D344,215 S *	2/1994	Jorgensen	D7/679
D345,286 S *	3/1994	Jorgensen	D7/679
D359,661 S *	6/1995	Joergensen	D7/679
D390,427 S *	2/1998	Bounds	D7/679
D397,919 S *	9/1998	Chiu	D7/679
D409,455 S *	5/1999	Fabry	D7/679
D424,889 S *	5/2000	Yip	D7/679
D431,426 S *	10/2000	Yip	D7/679
D461,376 S *	8/2002	Bodum	D7/679
7,293,728 B2 *	11/2007	Chan	A47J 42/06 241/169
D756,175 S *	5/2016	Laskowski	D7/679
9,693,657 B2 *	7/2017	Naden	A47J 42/46
D830,138 S *	10/2018	Zhang	D7/679

* cited by examiner

Primary Examiner — Darlington Ly
(74) *Attorney, Agent, or Firm* — Craft Chu PLLC;
Andrew W. Chu

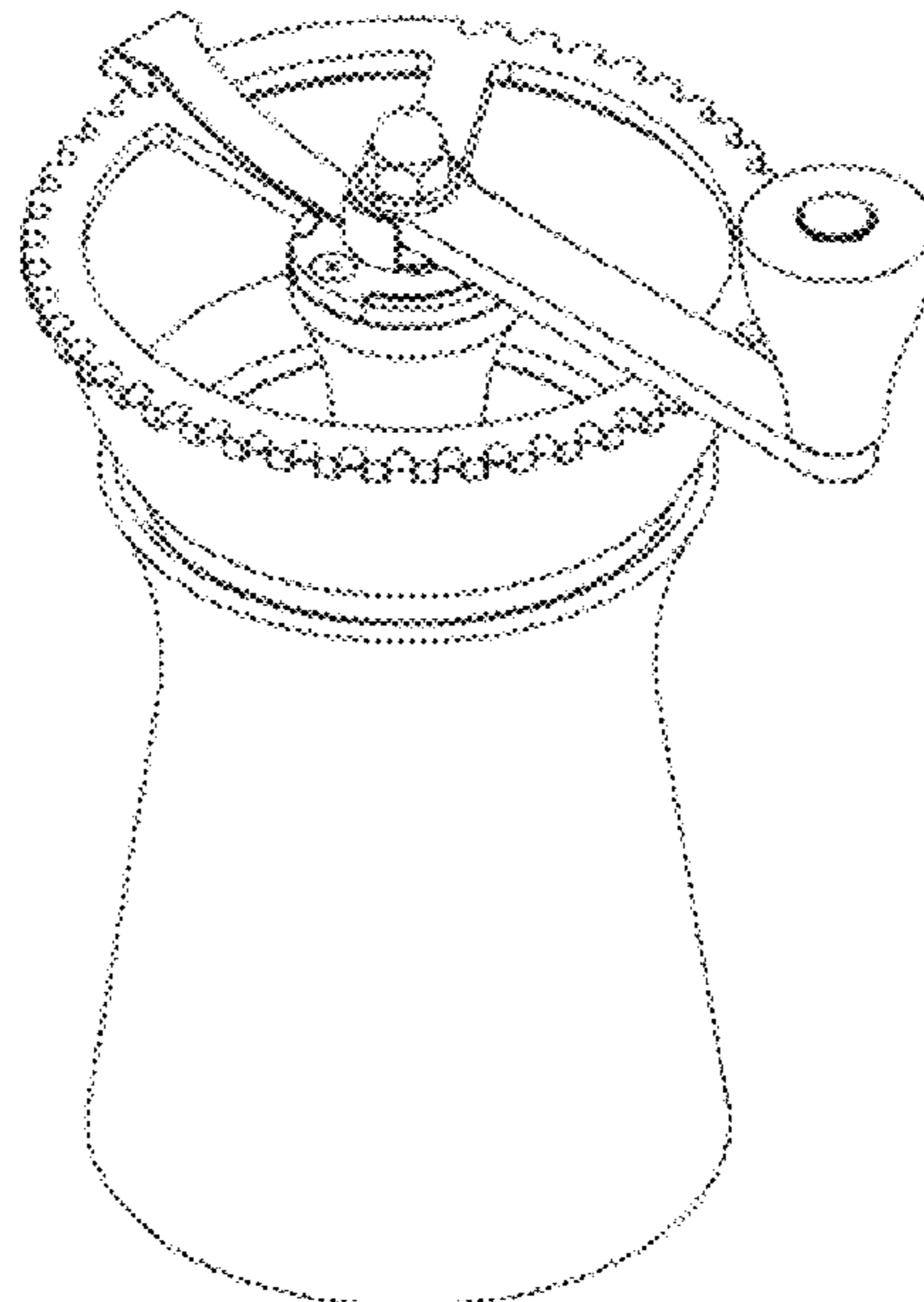
- (51) **LOC (12) Cl.** **07-04**
- (52) **U.S. Cl.**
USPC **D7/679**
- (58) **Field of Classification Search**
USPC D12/679, 590–597, 372, 373
CPC ... A21C 1/04; A47J 42/34; A47J 42/00; A47J
42/04; A47J 42/14; A47J 42/18; A47J
42/24; A47J 42/42; A47J 42/46; A47J
42/06; A47J 42/08; A47J 42/40; A47J
43/04; A47J 43/044; A47J 43/0722; A47J
43/06; A47J 43/25; A47J 43/255; A24C
5/40; B02C 18/08; B02C 18/24; B02C
18/16
See application file for complete search history.

- (56) **References Cited**
U.S. PATENT DOCUMENTS
D309,698 S * 8/1990 Bounds D7/679
D318,987 S * 8/1991 Kokkinos D7/679

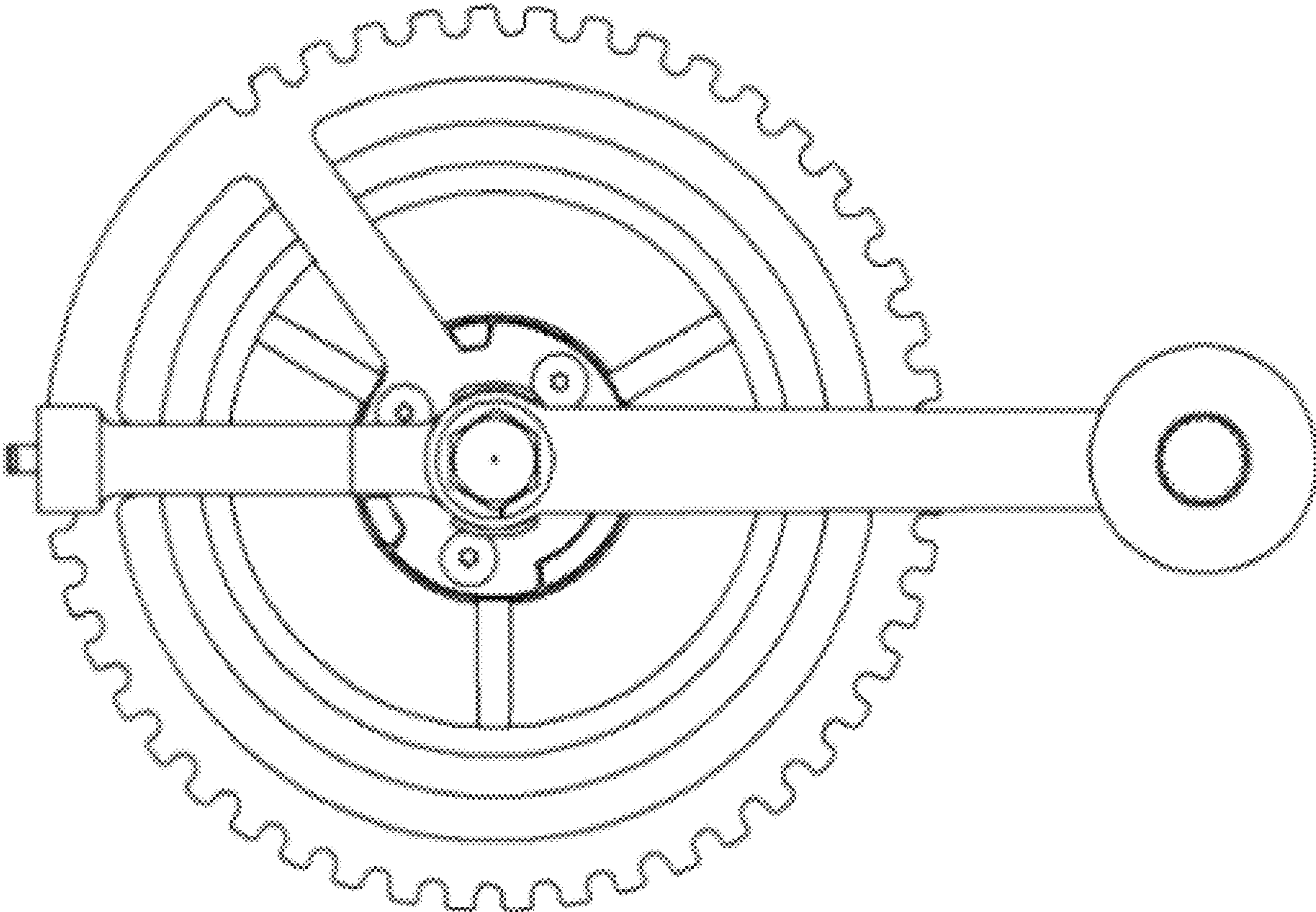
(57) **CLAIM**
The ornamental design for a spice mill, as shown and described.

DESCRIPTION
1. Spice mill
1.1 is a top plan view of a spice mill showing my new design;
1.2 is a side elevation view thereof;
1.3 is a front elevation view thereof; and
1.4 is a top perspective view thereof.

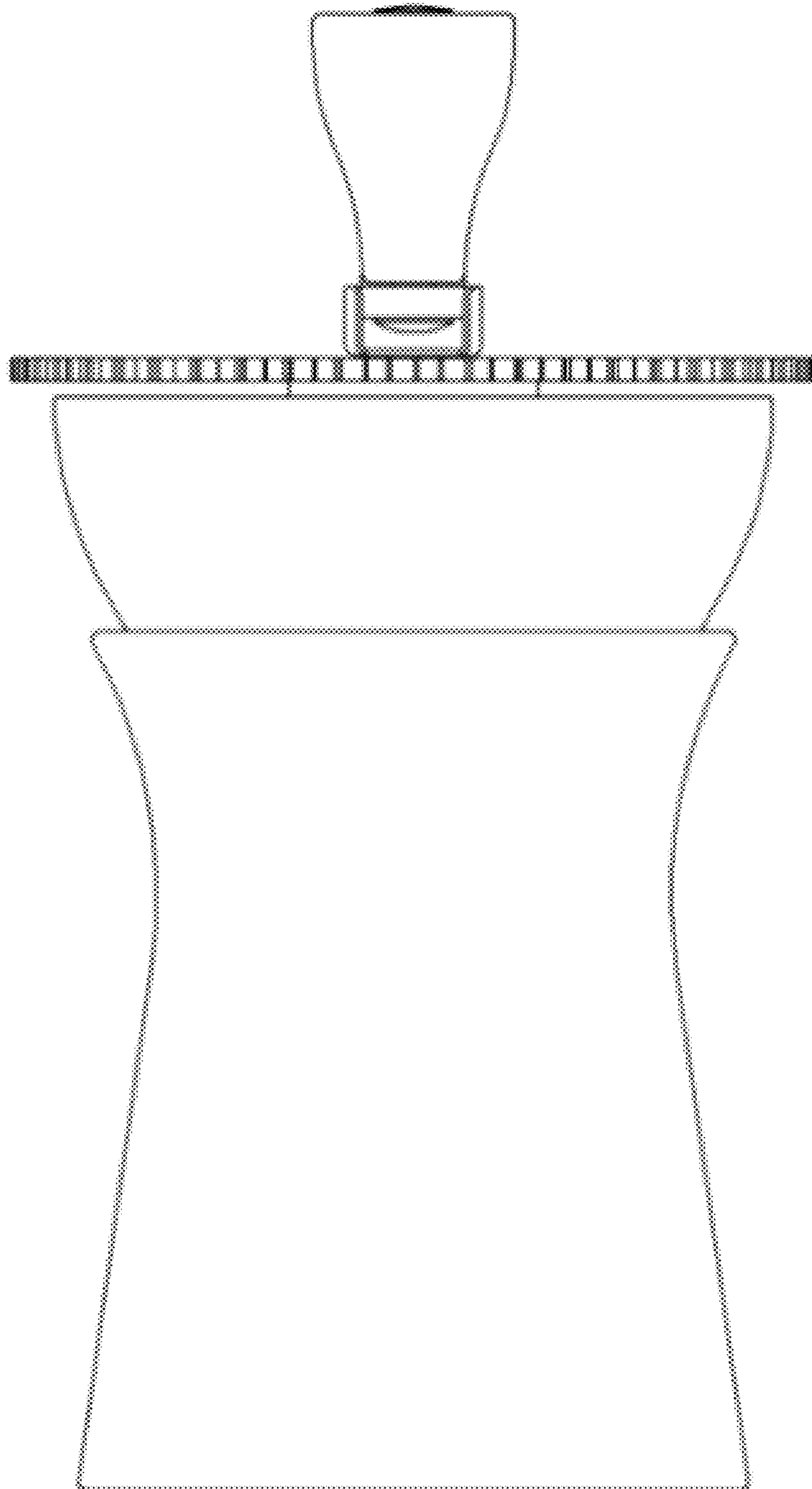
1 Claim, 4 Drawing Sheets



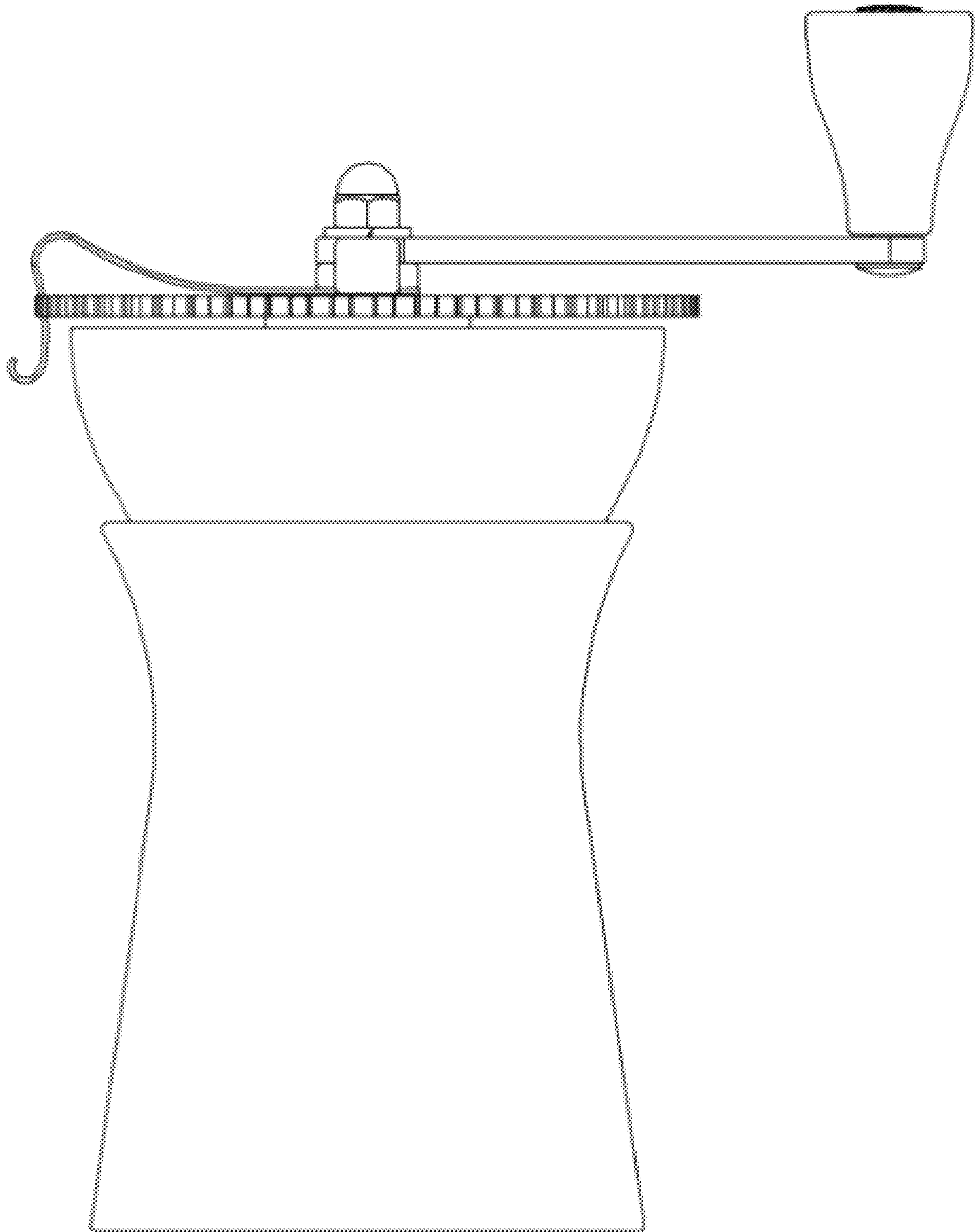
1.1



1.2



1.3



1.4

