



US00D873627S

(12) **United States Design Patent**  
**Chen**

(10) **Patent No.:** **US D873,627 S**

(45) **Date of Patent:** **\*\* Jan. 28, 2020**

(54) **VEGETABLE PROCESSOR**  
(71) Applicant: **SHUANGMA PLASTIC MANUFACTURING INC.**, Linhai, Zhejiang Province (CN)  
(72) Inventor: **Cui-Hong Chen**, Taizhou (CN)  
(73) Assignee: **SHUANGMA PLASTIC MANUFACTURING INC.**, Linhai (CN)

D548,025 S \* 8/2007 Kaposi ..... D7/672  
D612,194 S \* 3/2010 Kaposi ..... D7/368  
8,347,783 B2 \* 1/2013 Kaposi ..... A47J 23/00  
30/113.1  
D708,917 S \* 7/2014 Wong ..... D7/672  
D729,595 S \* 5/2015 Hauser ..... D7/693  
D729,596 S \* 5/2015 Hauser ..... D7/693  
D730,704 S \* 6/2015 Repac ..... D7/672  
D776,495 S \* 1/2017 Repac ..... D7/672  
10,011,031 B2 \* 7/2018 Hauser ..... B26D 3/18  
2006/0090352 A1 \* 5/2006 Kaposi ..... B26B 5/008  
30/299  
2006/0218799 A1 \* 10/2006 Kaposi ..... B26B 5/008  
30/302  
2015/0367525 A1 \* 12/2015 Repac ..... B26D 3/18  
83/167

(\*\*) Term: **15 Years**

(21) Appl. No.: **29/629,249**

(22) Filed: **Dec. 12, 2017**

(30) **Foreign Application Priority Data**

Jun. 13, 2017 (CN) ..... 2017 3 0238781

(51) **LOC (12) Cl.** ..... **07-04**

(52) **U.S. Cl.**  
USPC ..... **D7/672**

(58) **Field of Classification Search**  
USPC ..... D7/672-678, 693-381, 368, 412  
CPC . A47J 17/02; A47J 43/25; A47J 25/00; B26D  
3/283; B26D 7/2628; B26D  
2003/285-288; B26D 3/185; B26D 3/26;  
B26D 3/18; A21C 11/106; B26B 5/008  
See application file for complete search history.

(56) **References Cited**

**U.S. PATENT DOCUMENTS**

D331,687 S \* 12/1992 Pujol Gilbert ..... D7/678  
D440,129 S \* 4/2001 Young ..... D7/678  
D512,609 S \* 12/2005 Kaposi ..... D7/672  
D519,001 S \* 4/2006 So ..... D7/678  
D543,422 S \* 5/2007 Kaposi ..... D7/674

\* cited by examiner

*Primary Examiner* — Brett Miller

(74) *Attorney, Agent, or Firm* — Locke Lord LLP; Tim Tingkang Xia, Esq.

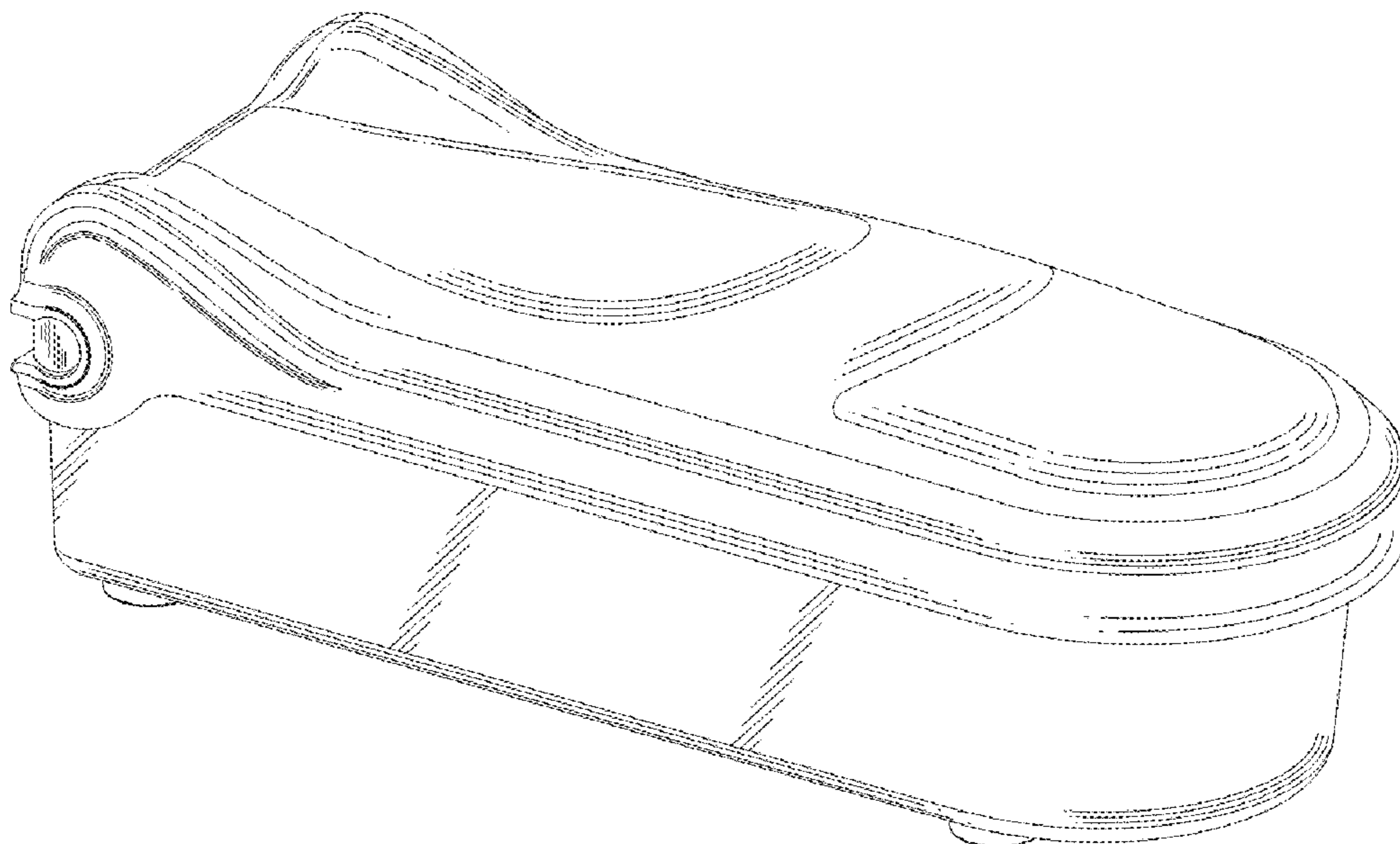
(57) **CLAIM**

The ornamental design for a vegetable processor, as shown and described.

**DESCRIPTION**

FIG. 1 is a front elevation view of a vegetable processor according to my new design;  
FIG. 2 is a rear elevation view thereof;  
FIG. 3 is a left side elevation view thereof;  
FIG. 4 is a right side elevation view thereof;  
FIG. 5 is a top plan view thereof;  
FIG. 6 is a bottom plan view thereof; and,  
FIG. 7 is a perspective view thereof.  
The broken lines in FIGS. 3 and 5-6 illustrating boundaries of certain portions of the vegetable processor form no part of the claimed design.

**1 Claim, 7 Drawing Sheets**



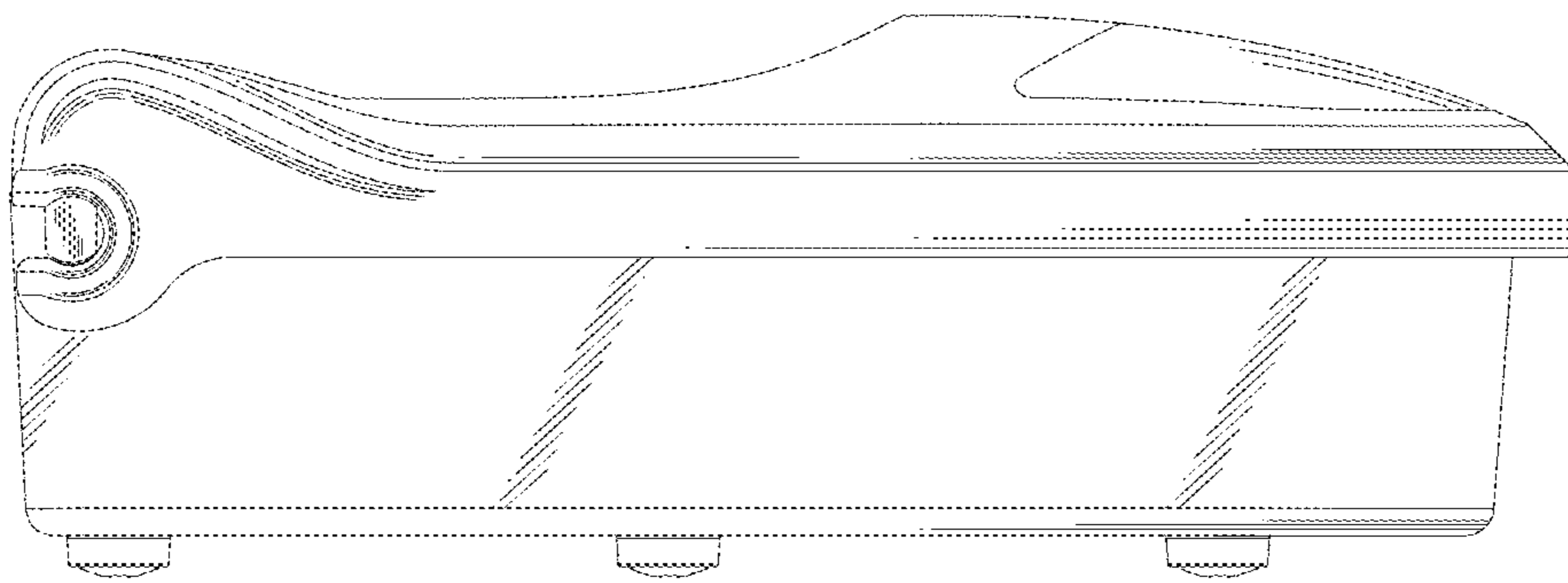


FIG. 1

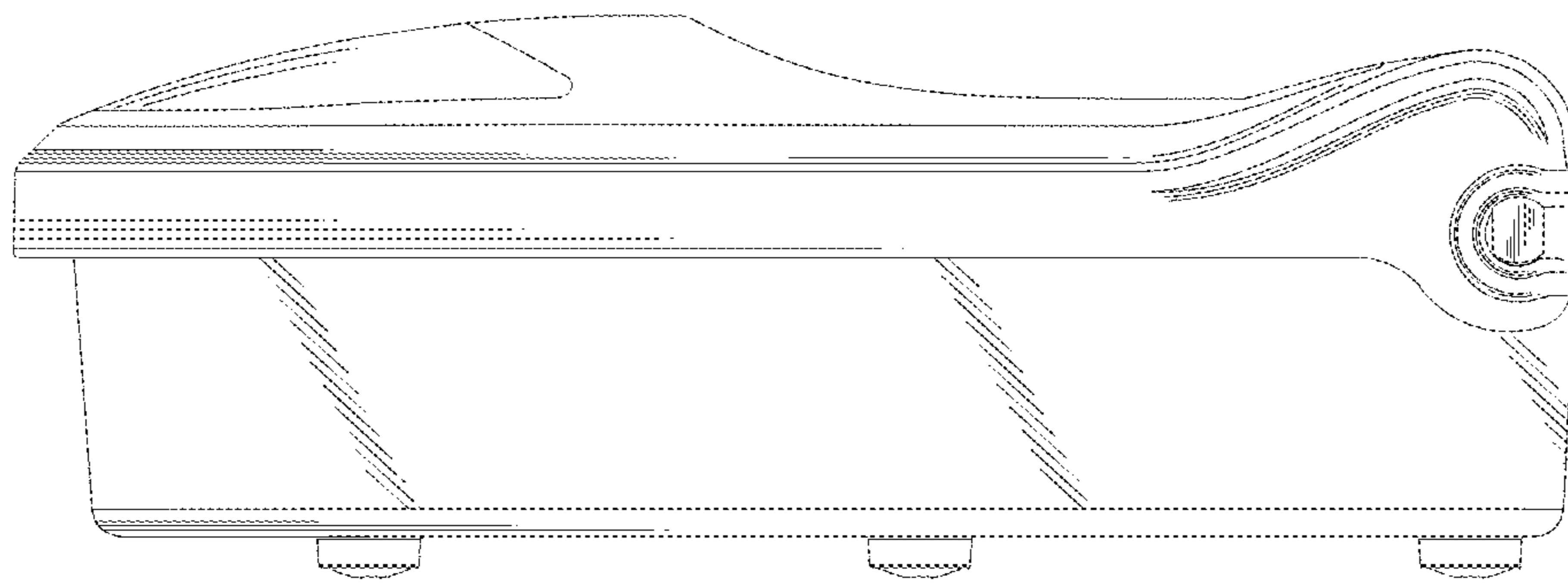


FIG. 2

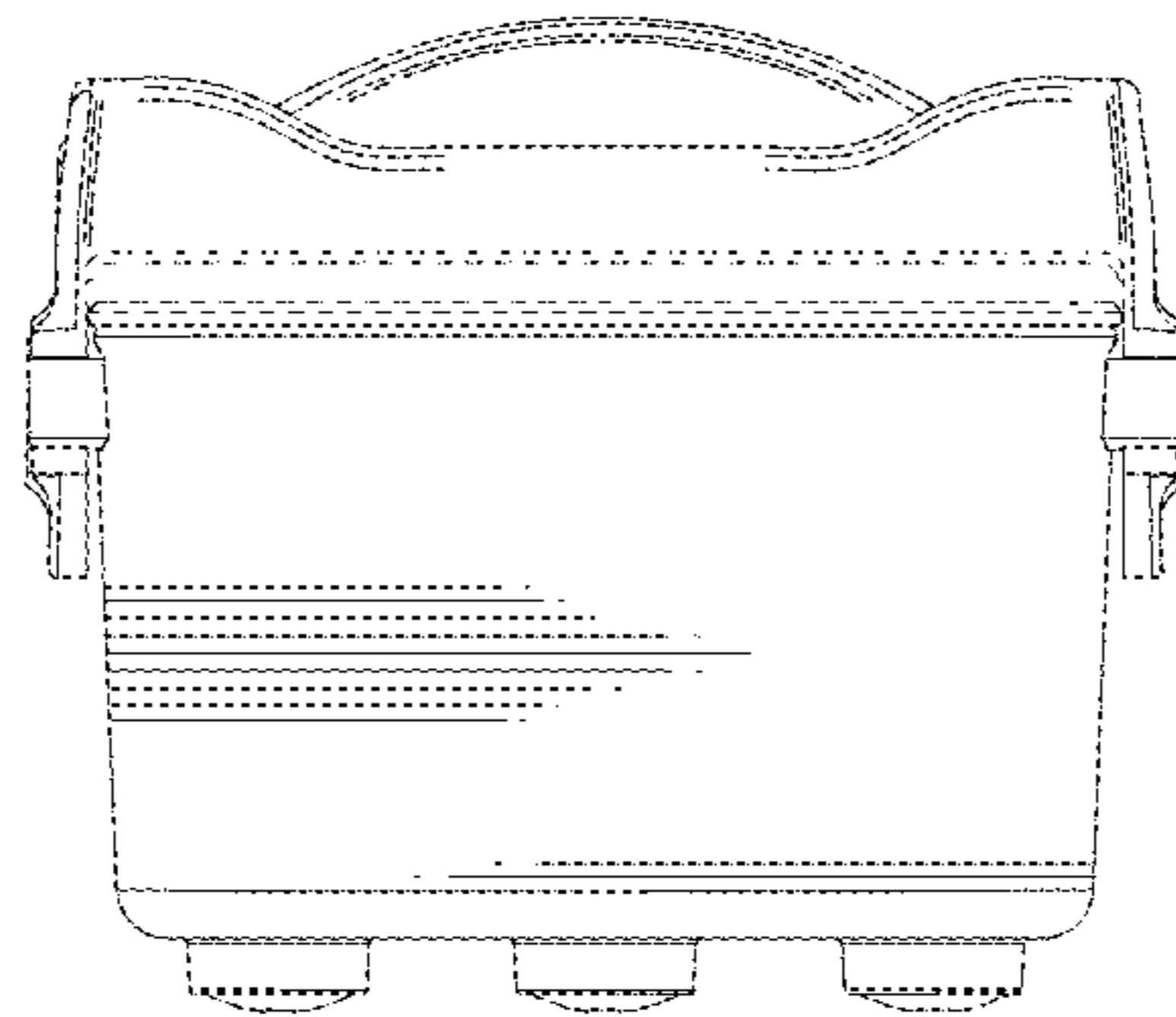


FIG. 3

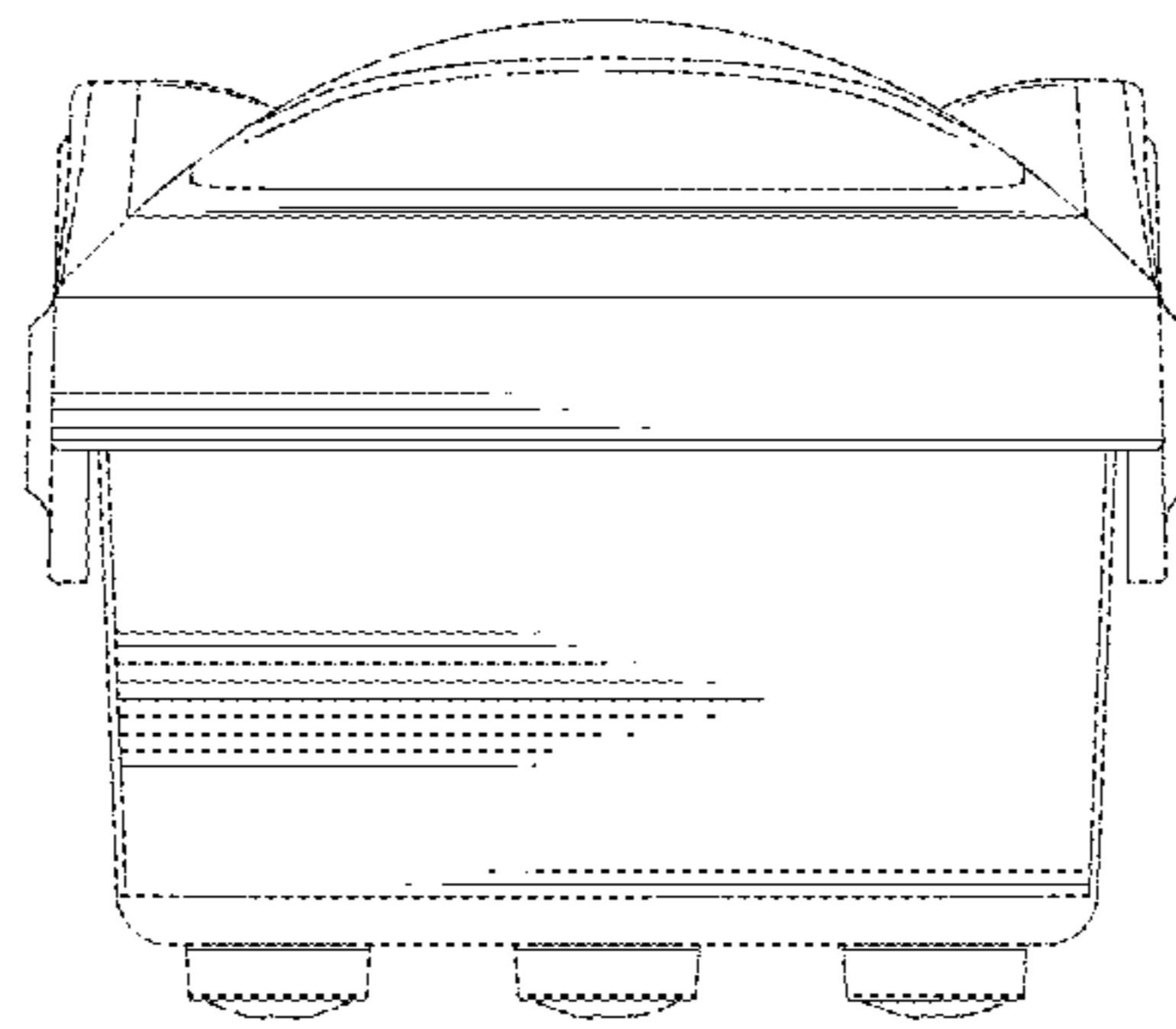


FIG. 4

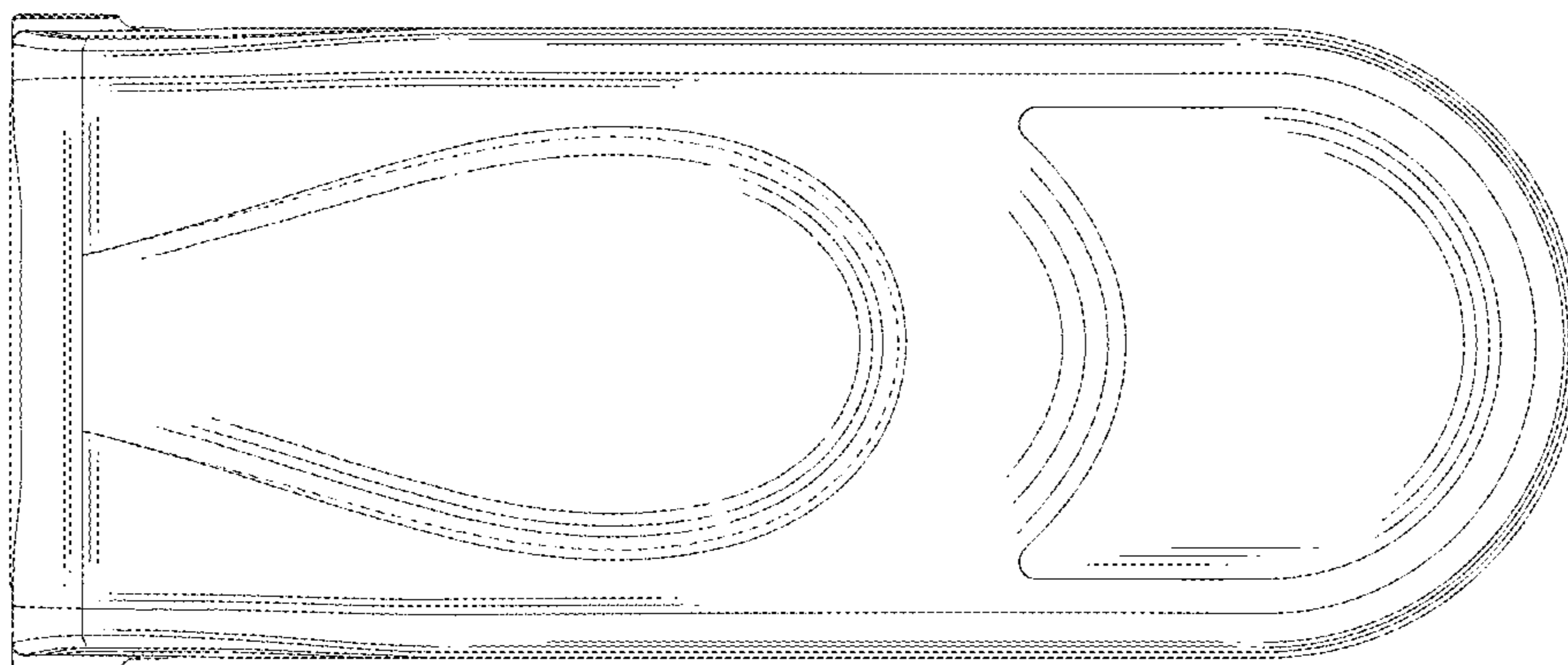


FIG. 5

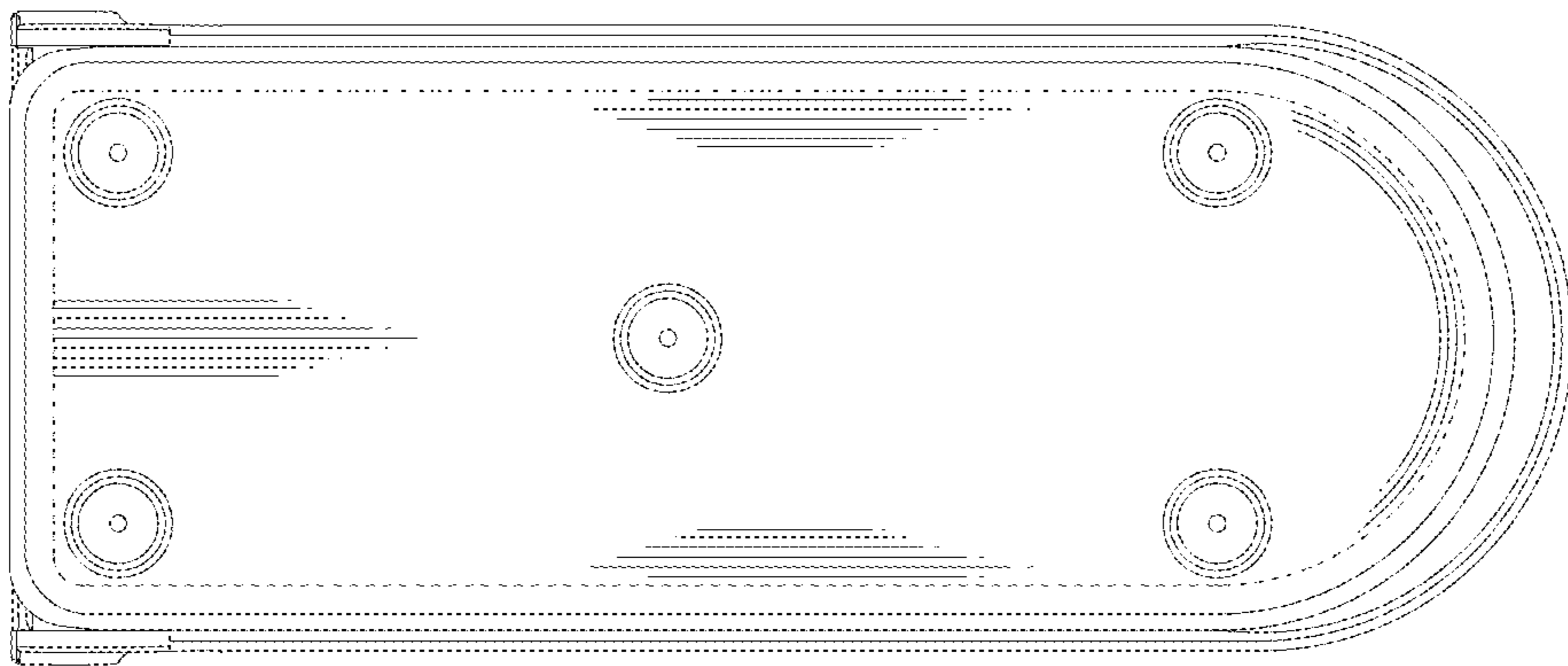


FIG. 6

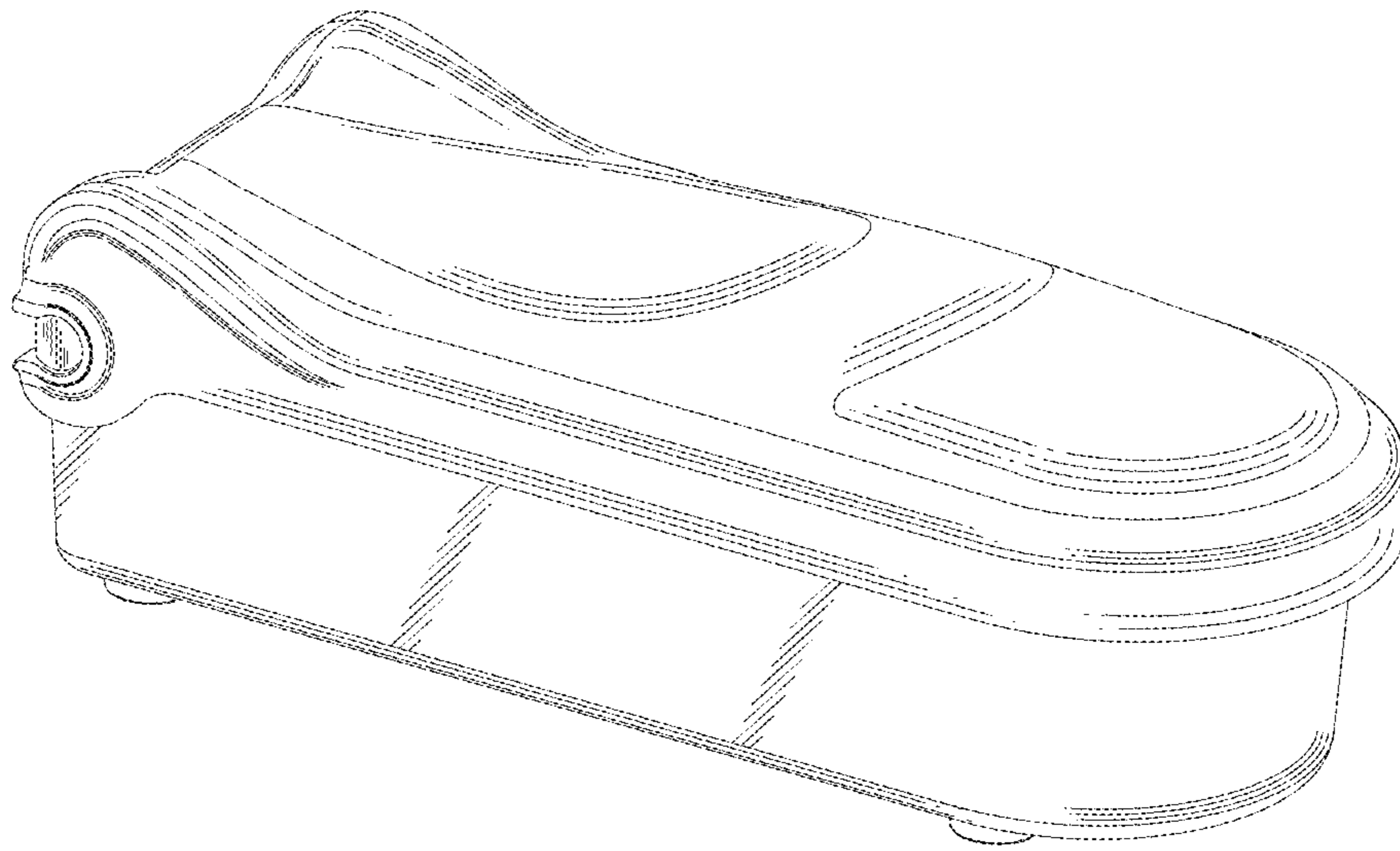


FIG. 7