

US00D873626S

(12) **United States Design Patent** (10) **Patent No.:** **US D873,626 S**
Rendo et al. (45) **Date of Patent:** **** Jan. 28, 2020**

(54) **PIZZA STORAGE CONTAINER**
(71) Applicants: **Ben Rendo**, Kansas City, MO (US);
Taylor Jay, Kansas City, MO (US)
(72) Inventors: **Ben Rendo**, Kansas City, MO (US);
Taylor Jay, Kansas City, MO (US)
(73) Assignee: **Mighty Good Solutions, LLC**, Kansas
City, MO (US)
(**) Term: **15 Years**
(21) Appl. No.: **29/656,653**
(22) Filed: **Jul. 14, 2018**
(51) **LOC (12) Cl.** **07-01**
(52) **U.S. Cl.**
USPC **D7/629**
(58) **Field of Classification Search**
USPC D7/601, 602, 610, 615, 629, 701, 703,
D7/707; D9/414, 424, 425, 429, 761,
D9/430, 416, 435; D3/201, 203.2, 203.3
CPC . B65D 1/00; B65D 43/02; B65D 5/20; B65D
5/2028; B65D 2543/00; B65D
2543/00092; B65D 81/3205
See application file for complete search history.

7,487,902 B2 * 2/2009 Philips B65D 5/2028
229/115
D604,112 S * 11/2009 Braidotti D7/628
D607,321 S * 1/2010 Mark D9/423
D670,162 S * 11/2012 Segal D9/424
D672,206 S * 12/2012 Piacenza D7/628
D743,838 S * 11/2015 Gillingham D11/152
9,814,330 B2 * 11/2017 DiMeo A47G 19/02

* cited by examiner

Primary Examiner — Derrick E Holland

Assistant Examiner — Andrew Kerr

(74) *Attorney, Agent, or Firm* — Invention Protection
Associates, LLC

(57) **CLAIM**

We claim an ornamental design for a pizza storage container,
as shown and described.

DESCRIPTION

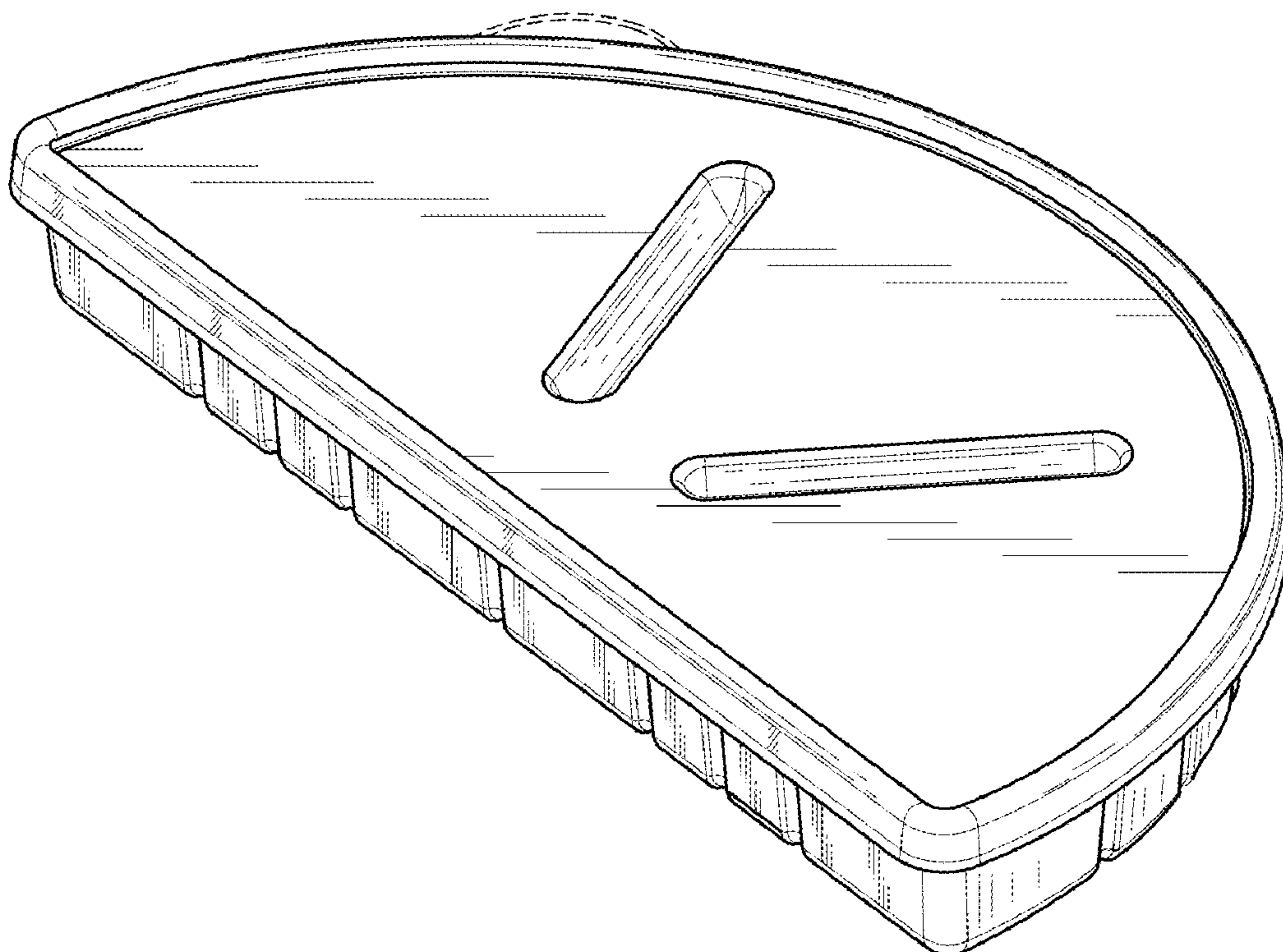
FIG. 1 is a top-front perspective view of a pizza storage
container, showing our new design;
FIG. 2 is a top plan view thereof;
FIG. 3 is a top plan view thereof, shown without its lid for
ease of illustration;
FIG. 4 is a top-rear perspective view thereof; and,
FIG. 5 is a top-rear perspective view thereof, shown without
its lid for ease of illustration.
The broken lines in FIGS. 1, 2 and 4 showing portions of the
pizza storage container are for the purpose of illustrating
environmental structure and form no part of the claimed
design.

(56) **References Cited**

U.S. PATENT DOCUMENTS

D391,808 S * 3/1998 Voege D7/538
D404,868 S * 1/1999 Conn D34/11
D463,318 S * 9/2002 McKendree D11/143

1 Claim, 5 Drawing Sheets



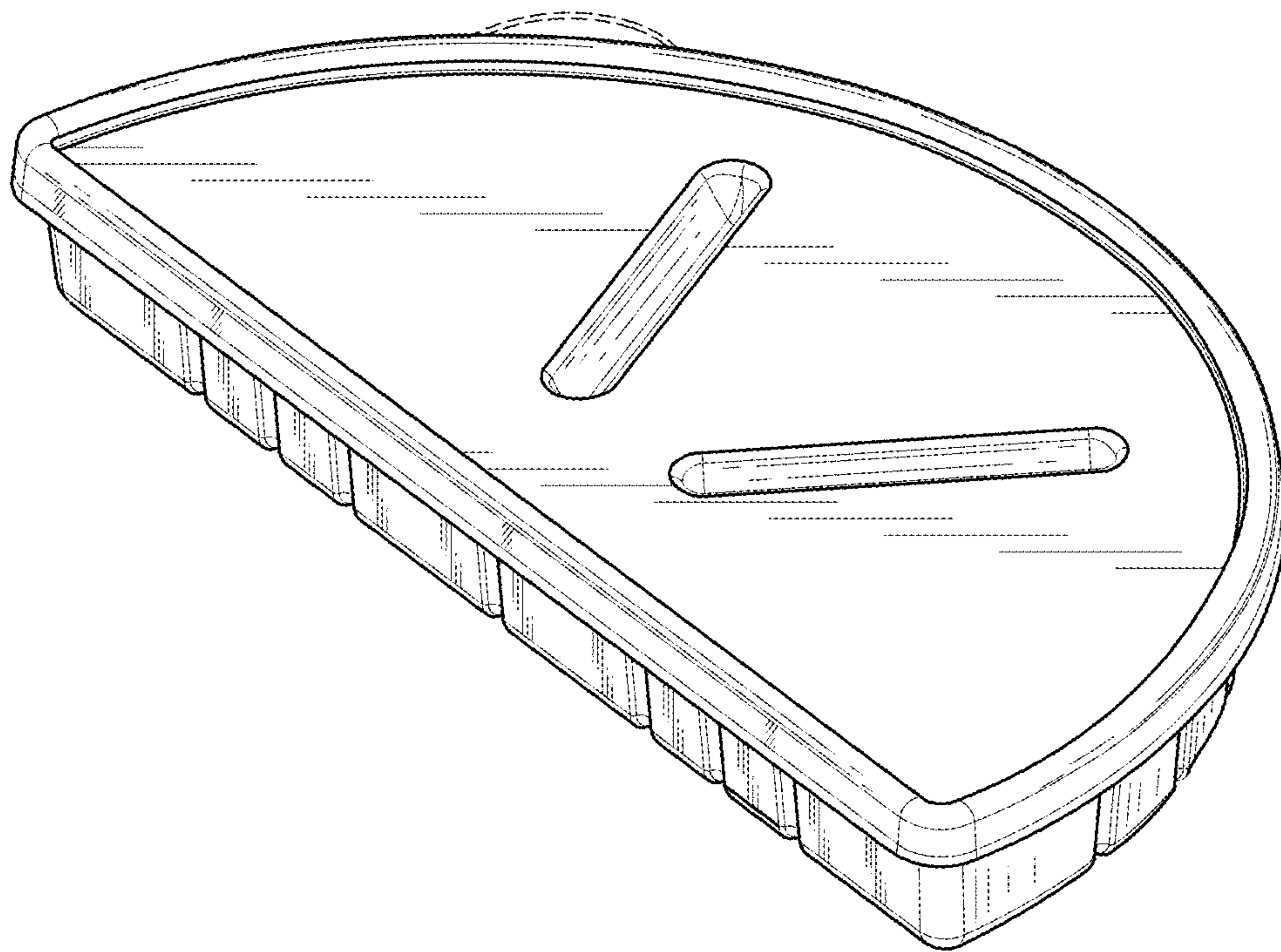


FIG. 1

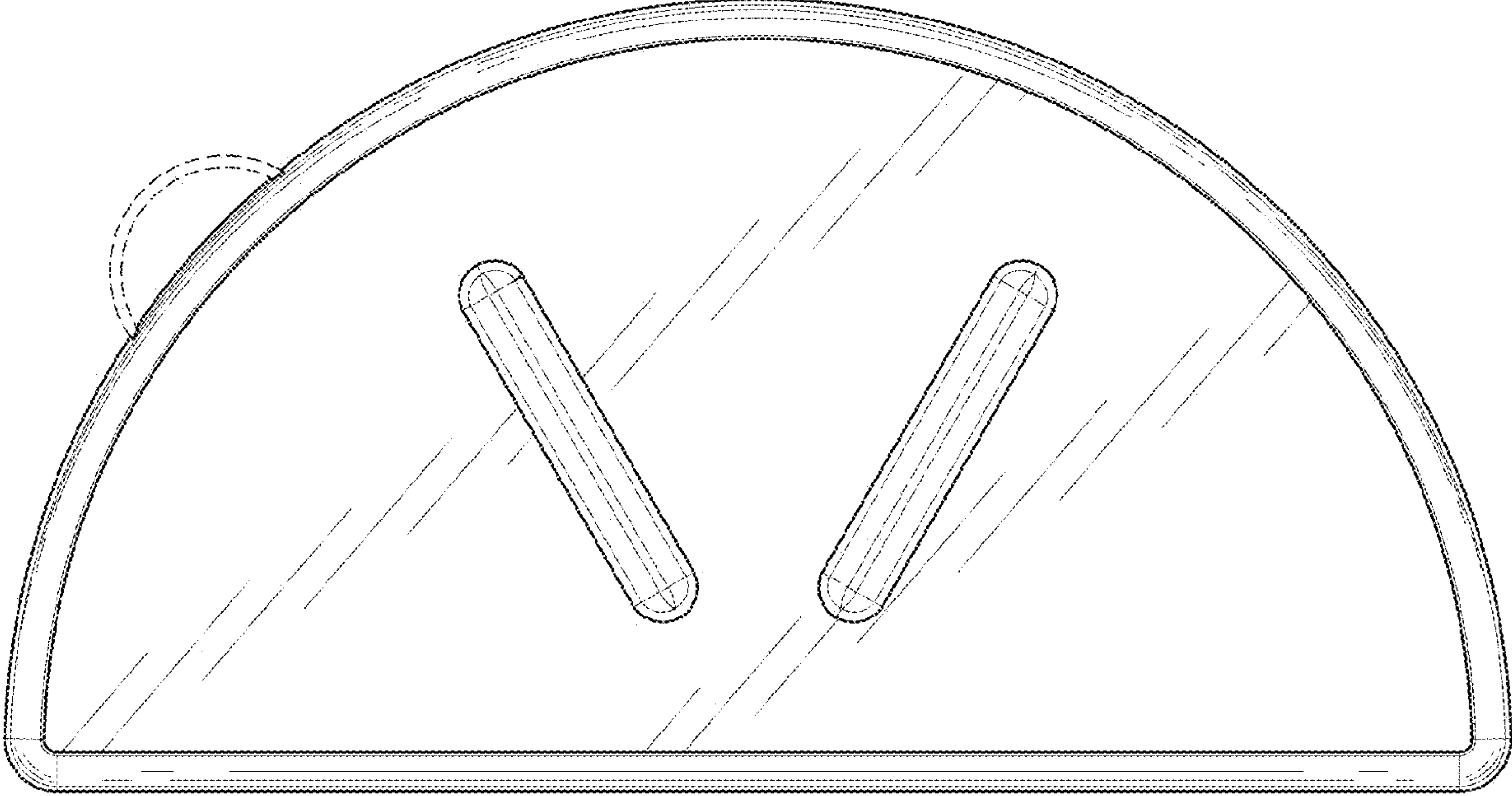


FIG. 2

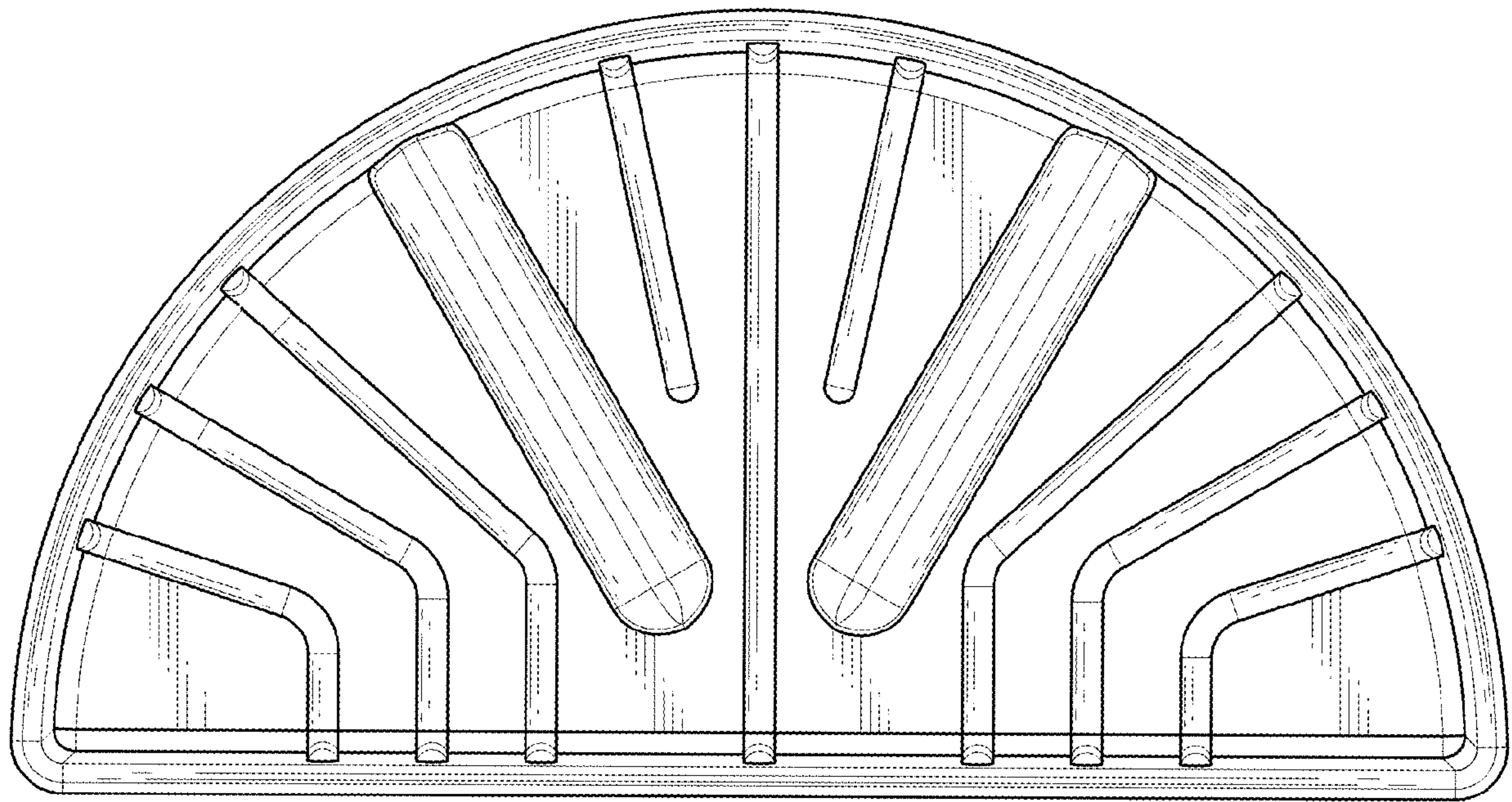


FIG. 3

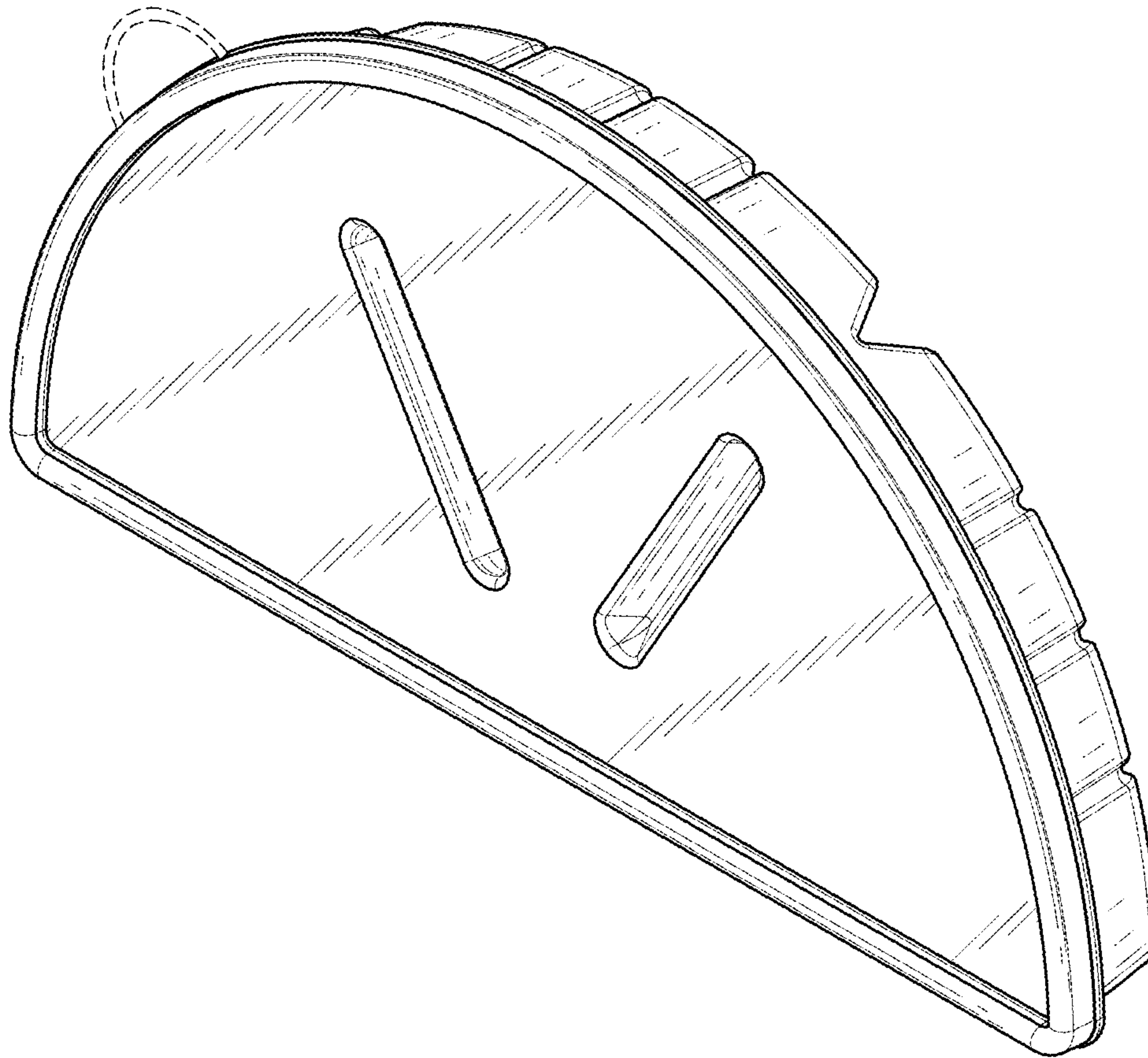


FIG. 4

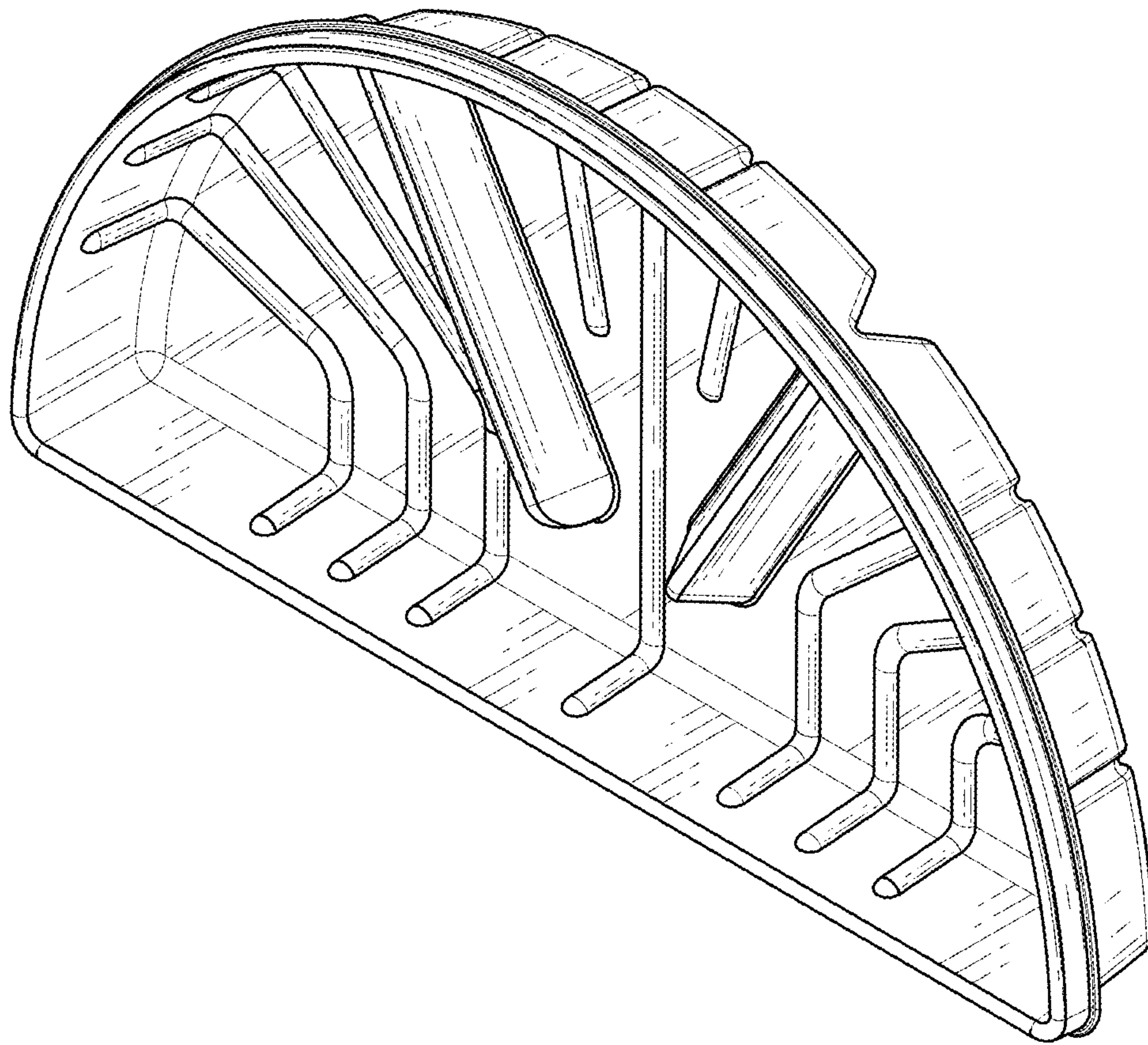


FIG. 5