



US00D873625S

(12) **United States Design Patent**
Chavana, Jr. et al.

(10) **Patent No.:** **US D873,625 S**
(45) **Date of Patent:** **** Jan. 28, 2020**

(54) **TANK CADDY**

D358,967 S * 6/1995 Knighton D7/620
D424,770 S * 5/2000 Watkins D34/12
D550,513 S * 9/2007 Mazza D7/620

(71) Applicant: **Rug Doctor, LLC**, Plano, TX (US)

* cited by examiner

(72) Inventors: **Ernest Matthew Chavana, Jr.**, Villa Ridge, MO (US); **Richard Foster**, Powell, OH (US); **Stanley Anderson**, Fenton, MO (US); **Christopher Terpstra**, Frisco, TX (US); **Jan Valentic**, Plano, TX (US)

Primary Examiner — Gino Colan

(74) *Attorney, Agent, or Firm* — Hauptman Ham, LLP

(73) Assignee: **RUG DOCTOR, LLC**, Plano, TX (US)

(57) **CLAIM**

(**) Term: **15 Years**

The ornamental design for a tank caddy, as shown and described.

(21) Appl. No.: **29/608,684**

(22) Filed: **Jun. 23, 2017**

(51) **LOC (12) Cl.** **09-03**

(52) **U.S. Cl.**
USPC **D7/620**

(58) **Field of Classification Search**
USPC D34/12, 31, 28, 35; D32/31; D6/523, D6/513, 525; D7/620, 533; 206/592, 206/576, 361, 362; 248/214
CPC A47L 9/0009; B62B 5/06
See application file for complete search history.

DESCRIPTION

FIG. 1 is a top-right perspective view of a tank caddy showing our new design;
FIG. 2 is a front view of the tank caddy of FIG. 1;
FIG. 3 is a rear view of the tank caddy of FIG. 1;
FIG. 4 is a left side view of the tank caddy of FIG. 1;
FIG. 5 is a right side view of the tank caddy of FIG. 1;
FIG. 6 is a top view of the tank caddy of FIG. 1;
FIG. 7 is a bottom view of the tank caddy of FIG. 1; and, FIG. 8 is a top-right perspective view of the tank caddy of FIG. 1.

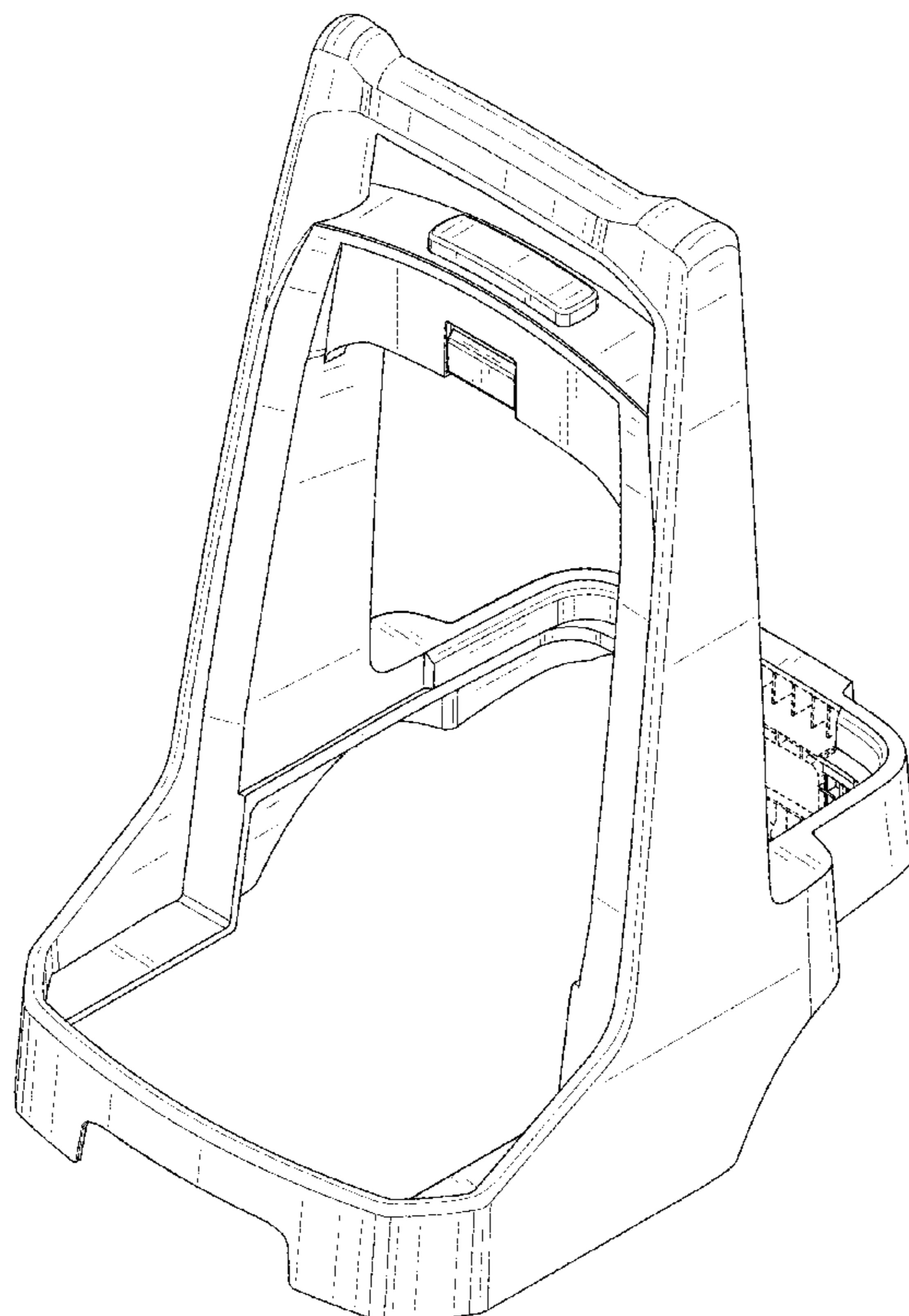
The broken lines in the drawings show environmental structure and form no part of the claimed design.

(56) **References Cited**

U.S. PATENT DOCUMENTS

4,767,092 A * 8/1988 Weatherly A47K 1/08 248/214
D344,616 S * 2/1994 Berfield D32/31

1 Claim, 8 Drawing Sheets



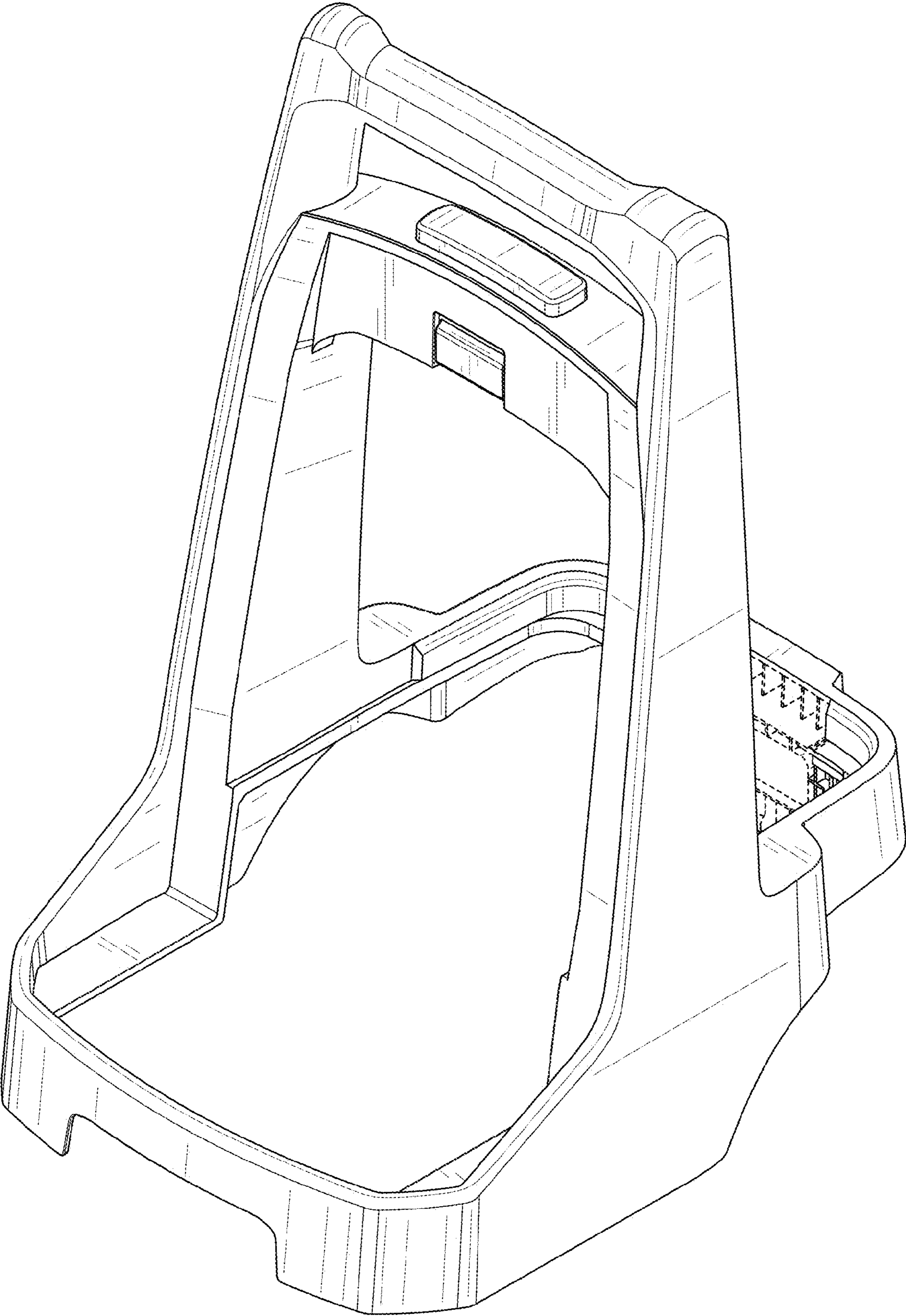


FIG. 1

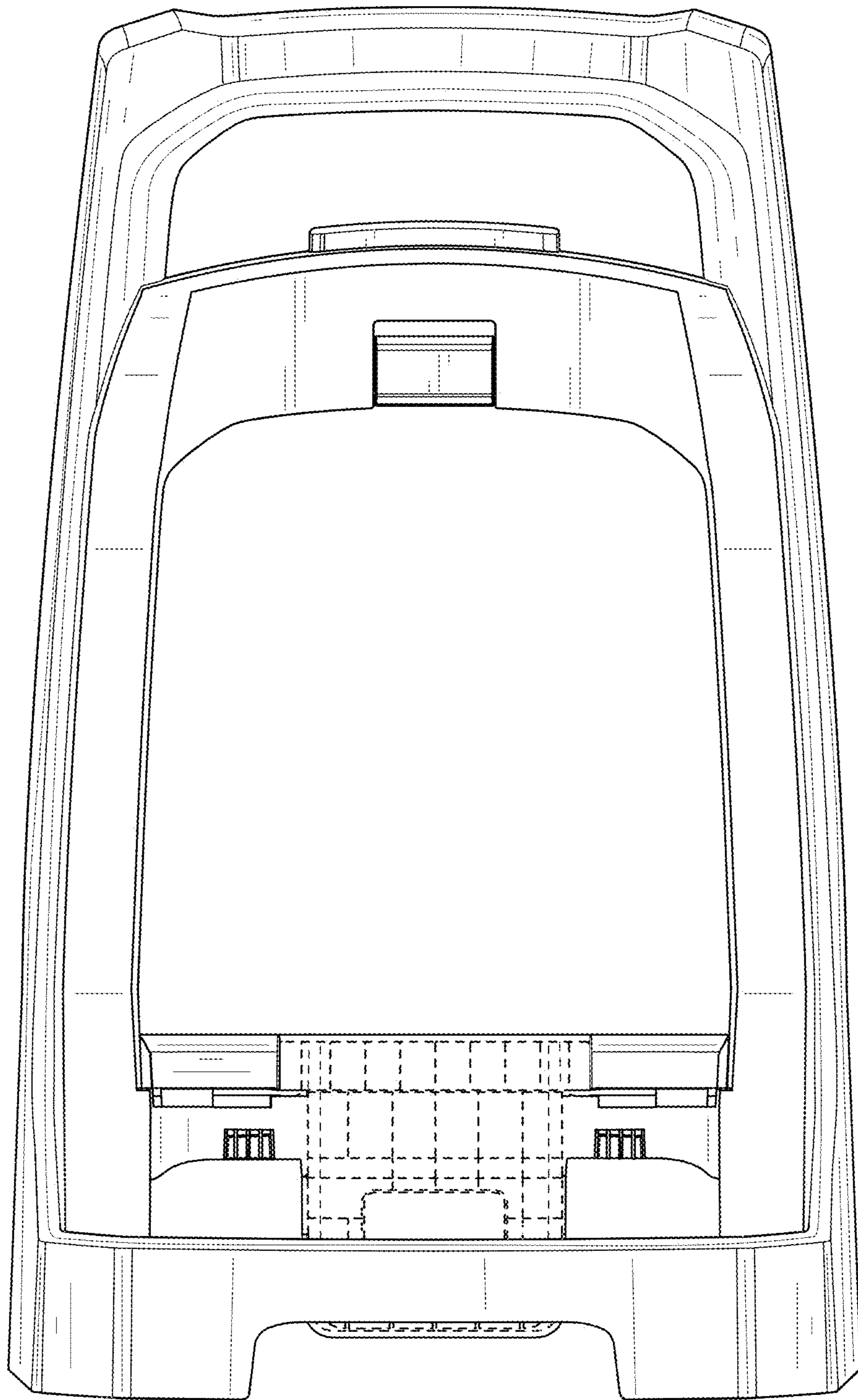


FIG. 2

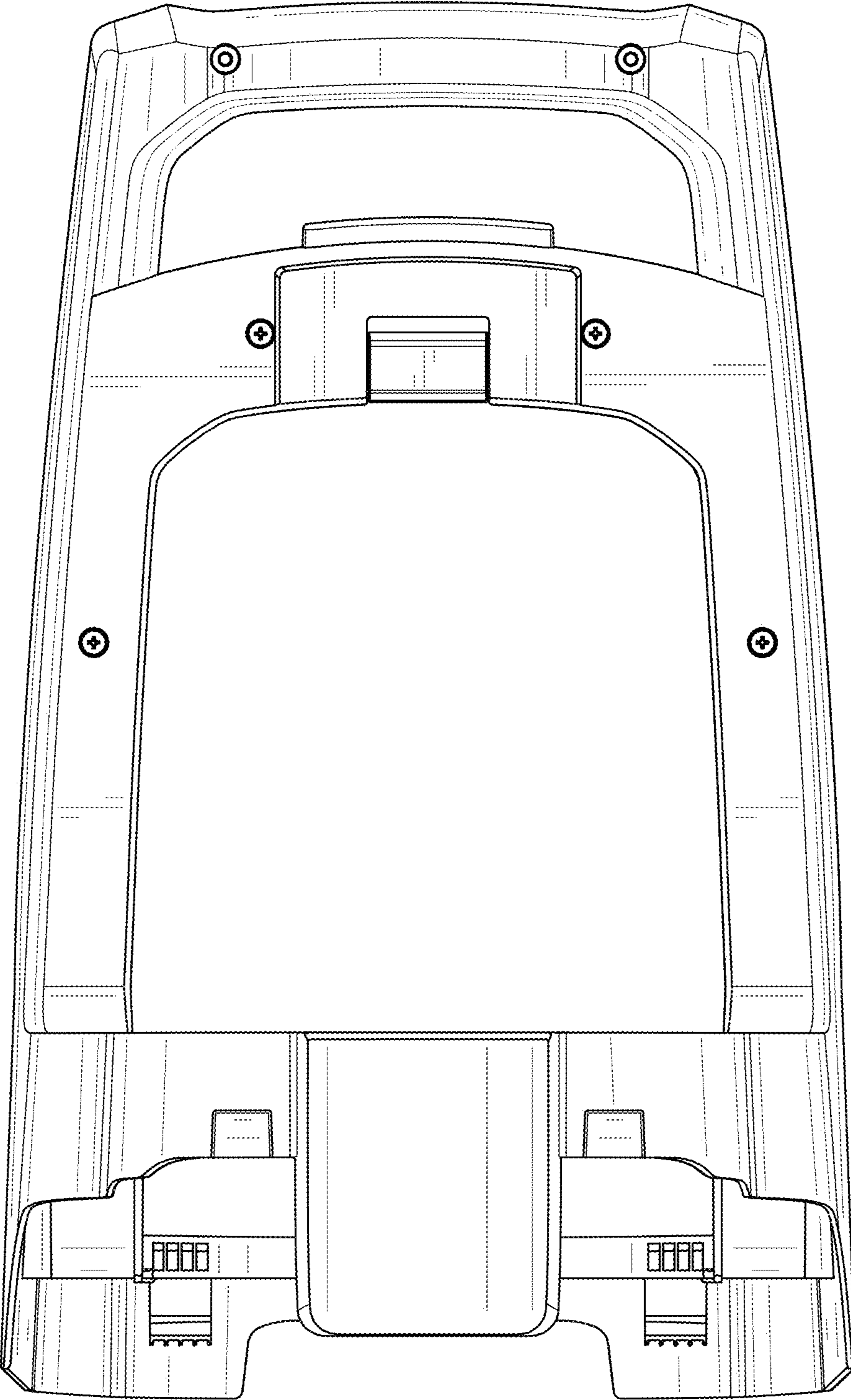


FIG. 3

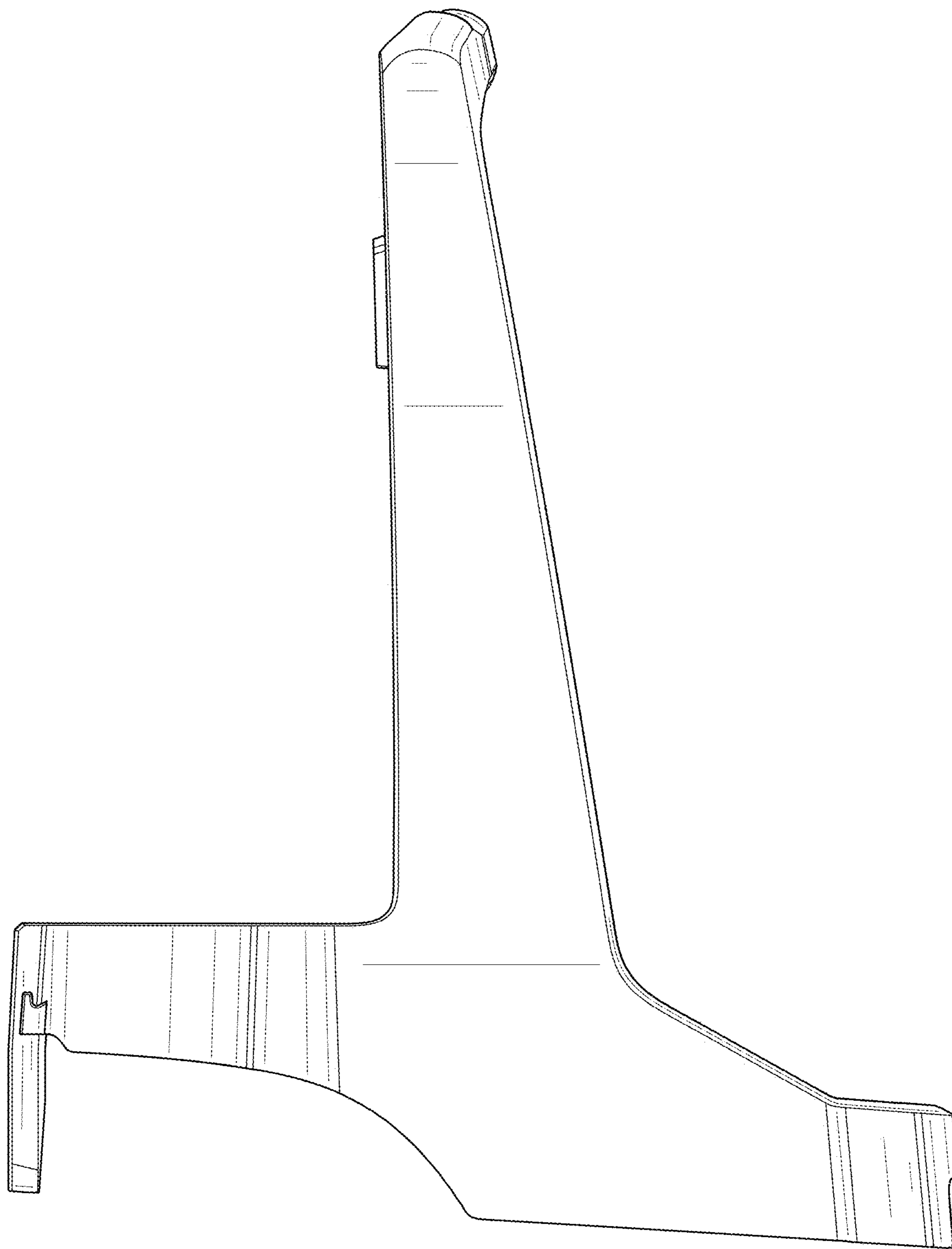


FIG. 4

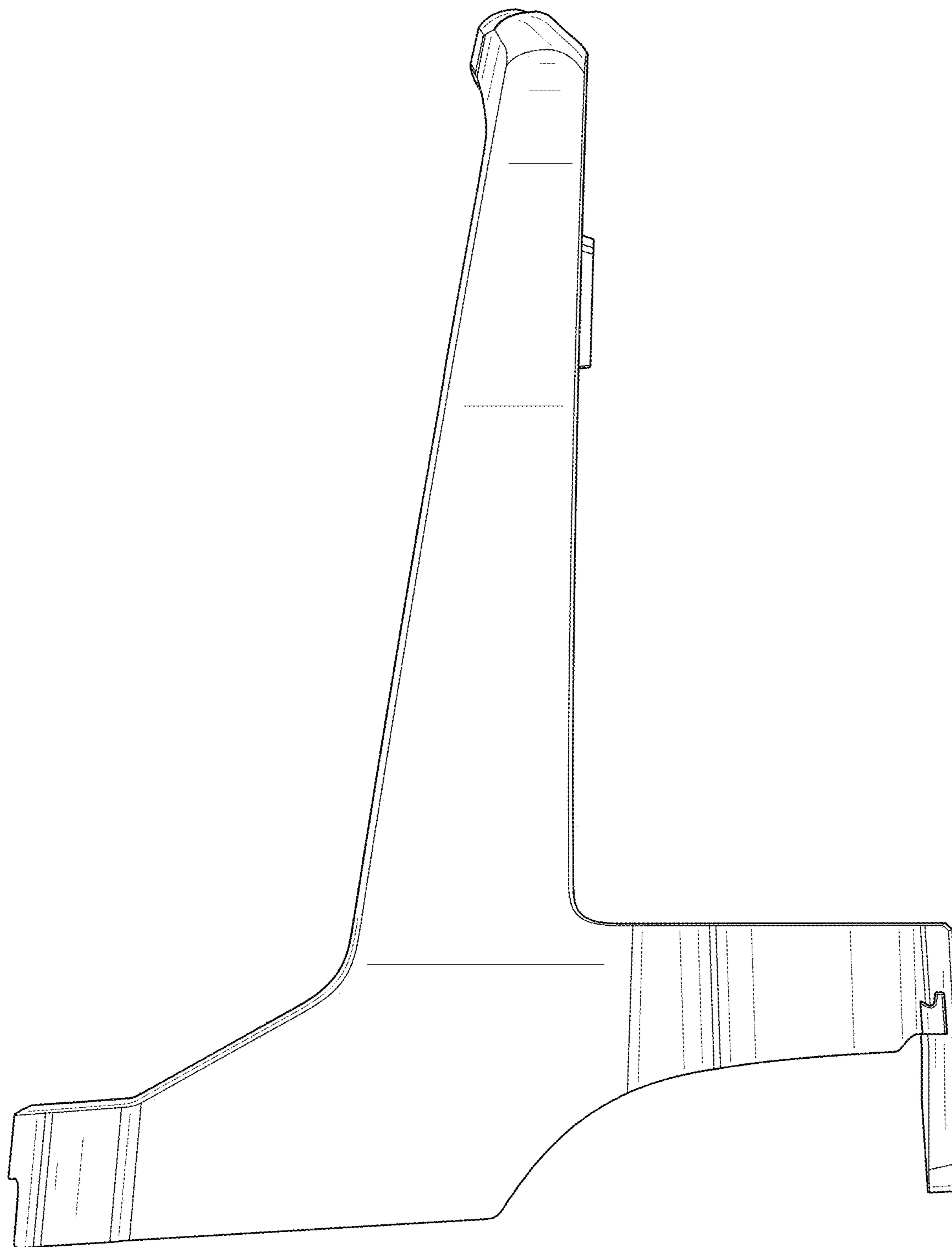


FIG. 5

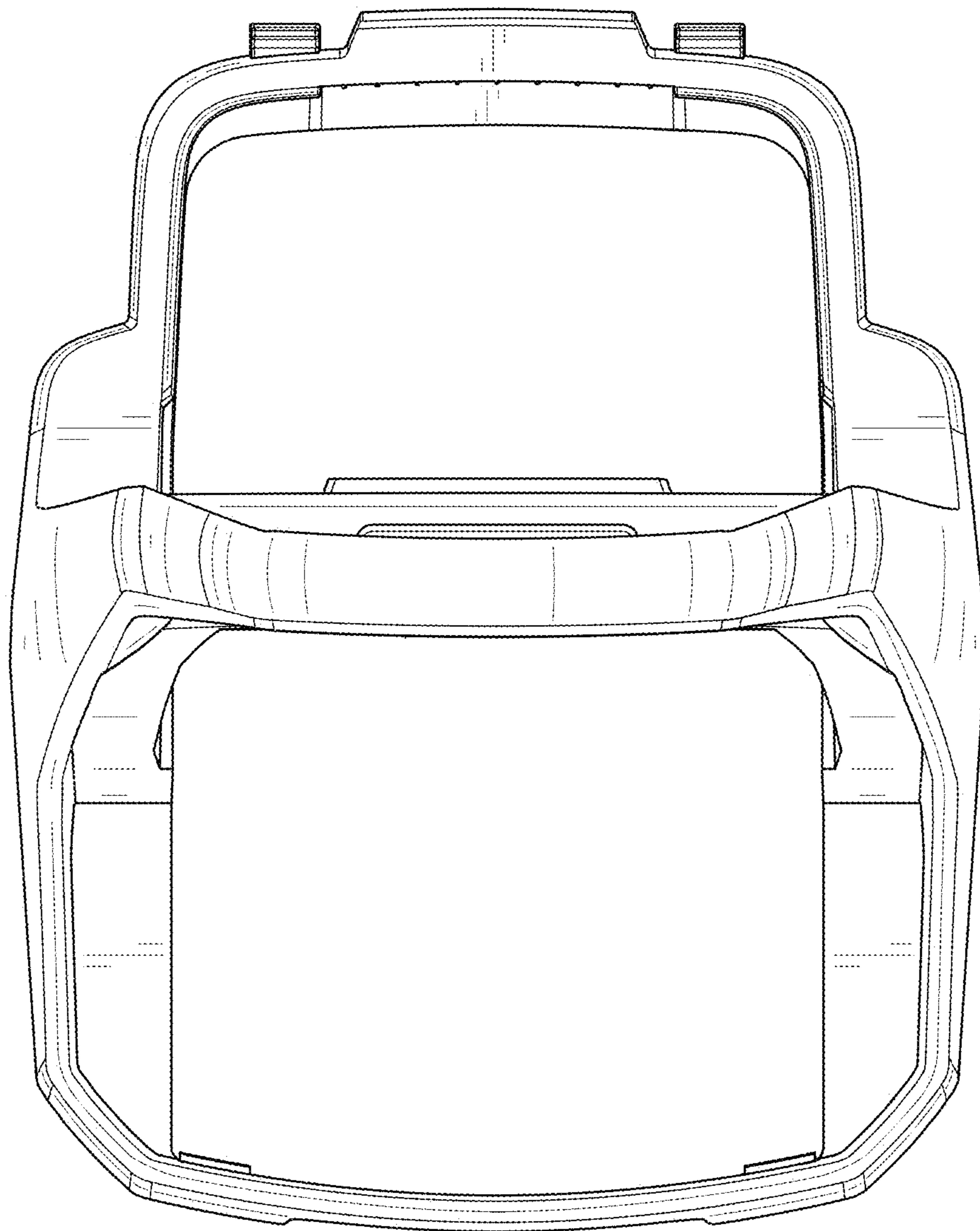


FIG. 6

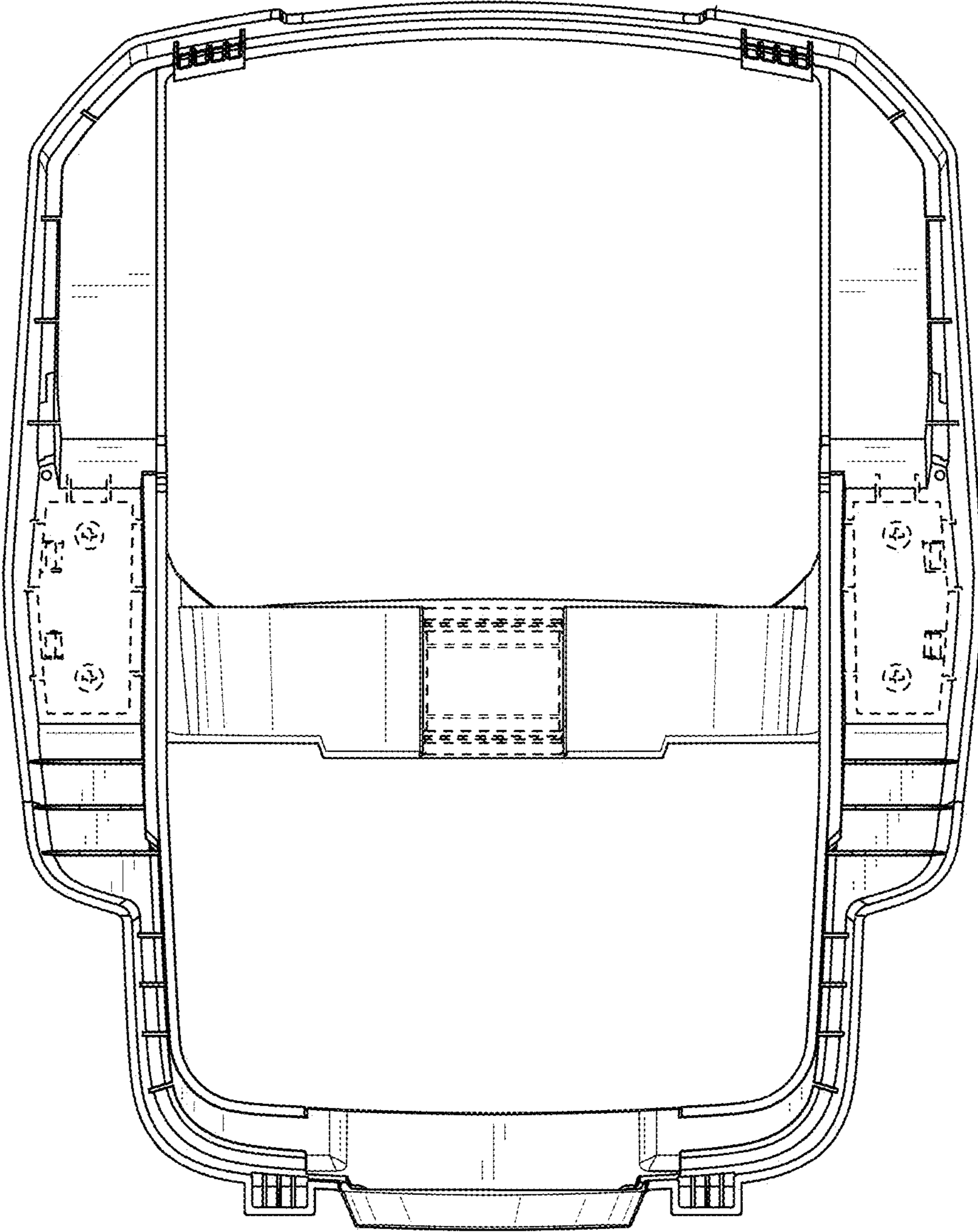


FIG. 7



FIG. 8