



US00D873624S

(12) **United States Design Patent**
Rogers et al.

(10) **Patent No.:** **US D873,624 S**
(45) **Date of Patent:** **** Jan. 28, 2020**

(54) **FLOATING BEVERAGE CONTAINER**

(71) Applicants: **Thomas M. Rogers**, Columbia, MO (US); **Taunia D. Rogers**, Columbia, MO (US)

(72) Inventors: **Thomas M. Rogers**, Columbia, MO (US); **Taunia D. Rogers**, Columbia, MO (US)

(**) Term: **15 Years**

(21) Appl. No.: **29/643,892**

(22) Filed: **Apr. 12, 2018**

Related U.S. Application Data

(63) Continuation-in-part of application No. 15/918,734, filed on Mar. 12, 2018, which is a continuation-in-part of application No. 14/703,150, filed on May 4, 2015, now abandoned.

(51) **LOC (12) Cl.** **07-06**

(52) **U.S. Cl.**
USPC **D7/619.1**

(58) **Field of Classification Search**
USPC D7/619.1-625, 701-708; D21/801, 803, D21/809
CPC B65D 81/3876; B65D 81/3879; B65D 81/3881; B65D 81/3883; B65D 81/3886; B65D 25/00; A47G 23/0216; A47G 23/02; A47G 23/0208; A47G 23/0641; A47G 2200/02; A45F 200/0583; B65F 1/02; B65F 1/12; B65F 1/1468; B65F 2210/81; B65F 2240/138; G09F 23/06; G09F 23/02

See application file for complete search history.

(56) **References Cited**

U.S. PATENT DOCUMENTS

3,015,406 A * 1/1962 Nolte A47G 23/06
220/560
3,308,981 A 3/1967 Starr et al.

3,521,788 A * 7/1970 Carter B65D 81/3867
206/519
4,571,194 A * 2/1986 Kiss A47G 23/0216
441/1
4,887,716 A 12/1989 Abraham
5,088,948 A 2/1992 Scheurer
5,361,604 A * 11/1994 Pier B65D 81/3883
62/371
5,447,764 A * 9/1995 Langford A47G 23/0216
220/560
5,727,709 A * 3/1998 Nobile B65D 81/3886
220/560
6,014,833 A 1/2000 Benavidez
6,029,845 A 2/2000 Mueller
6,085,926 A 7/2000 Weiss
6,269,587 B1 8/2001 Wallace
6,491,179 B2 12/2002 Dokun
6,607,090 B1 8/2003 Doer
6,616,493 B2 9/2003 Powell et al.

(Continued)

Primary Examiner — Terry A Wallace

(74) *Attorney, Agent, or Firm* — Law Office of Mark Brown, LLC; Christopher M. DeBacker

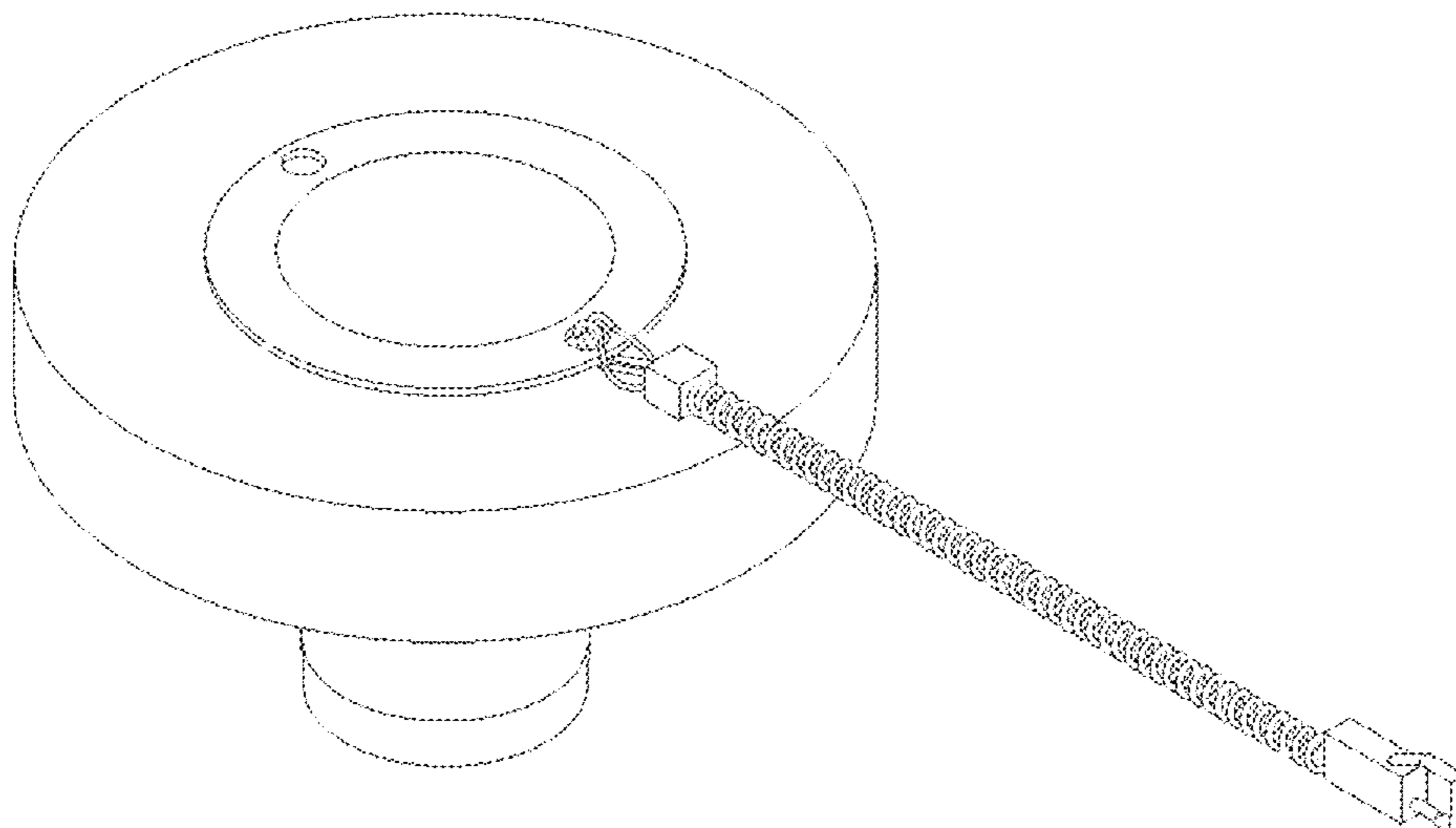
(57) **CLAIM**

The ornamental design for a floating beverage container, as shown and described.

DESCRIPTION

FIG. 1 is a three-dimensional isometric view of the floating beverage container showing our new design.
FIG. 2 is a left side elevational view thereof.
FIG. 3 is a front elevational view thereof.
FIG. 4 is rear elevational view thereof.
FIG. 5 is a top plan view thereof.
FIG. 6 is a right side elevational view thereof.
FIG. 7 is a bottom plan view thereof; and,
FIG. 8 is a cross section view thereof taken along line 8-8 of FIG. 5.

1 Claim, 8 Drawing Sheets



(56)

References Cited

U.S. PATENT DOCUMENTS

6,991,505	B1	1/2006	Wells	
2002/0027141	A1*	3/2002	Dokun	A47G 23/0641 220/560
2004/0040968	A1*	3/2004	Visser	G09F 23/02 220/560
2009/0101655	A1	4/2009	Tess et al.	
2010/0301053	A1	12/2010	Willis et al.	
2014/0110412	A1*	4/2014	Johnson	A47G 23/0216 220/560

* cited by examiner

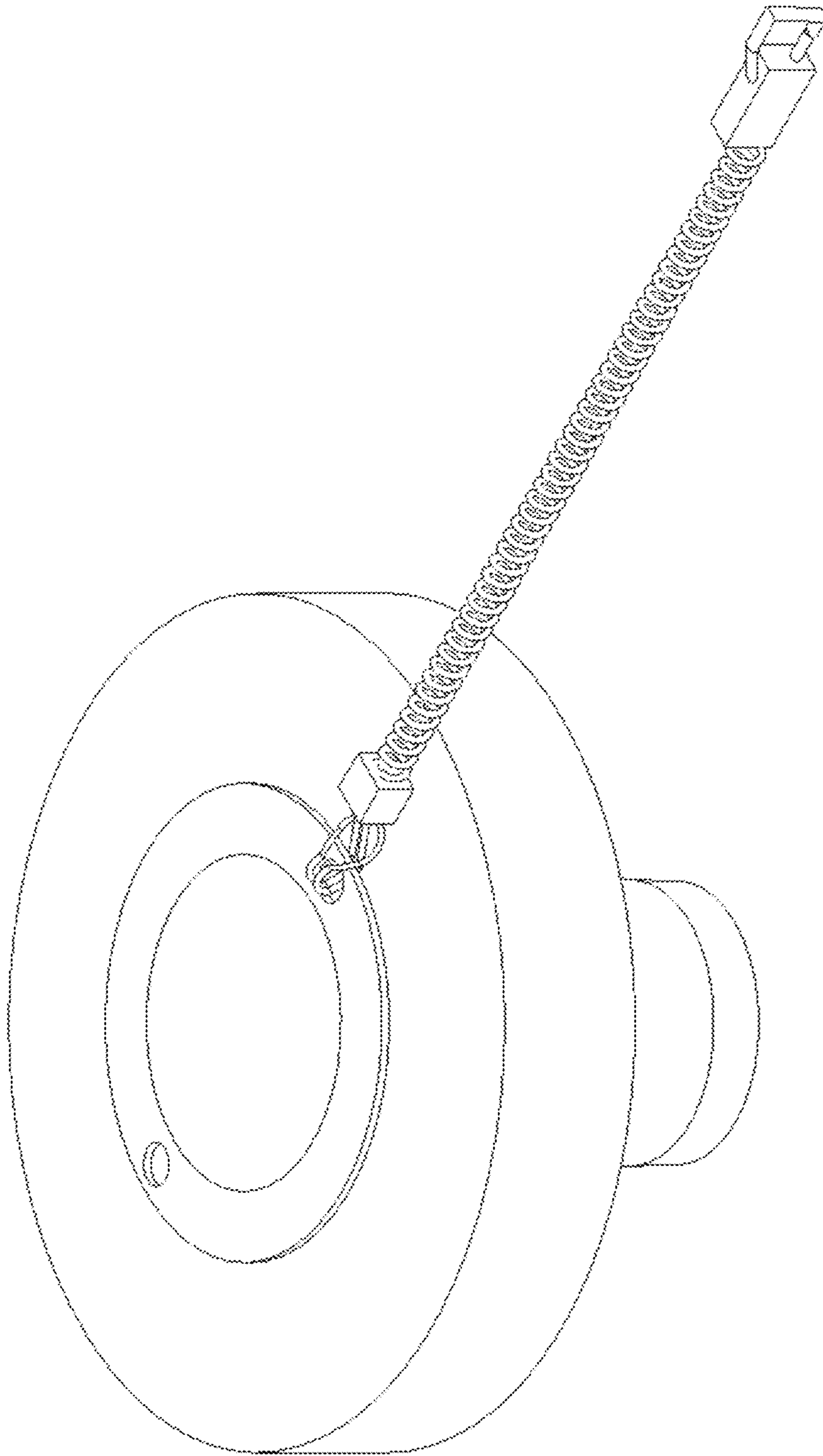


FIG. 1

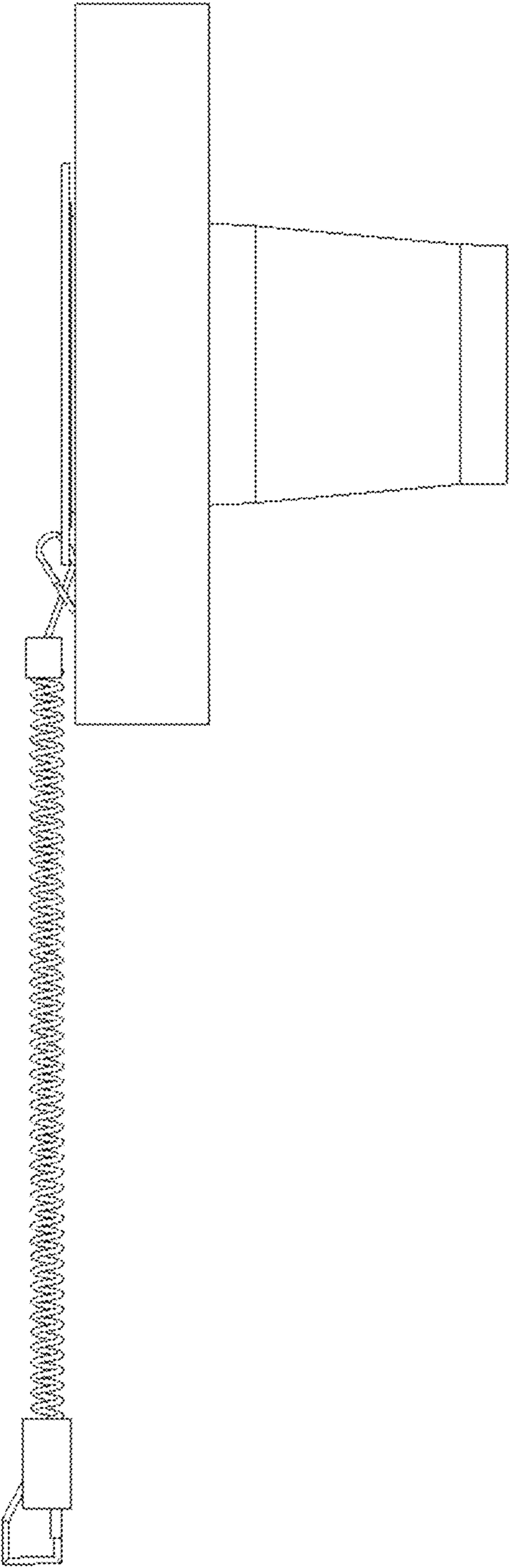


FIG. 2

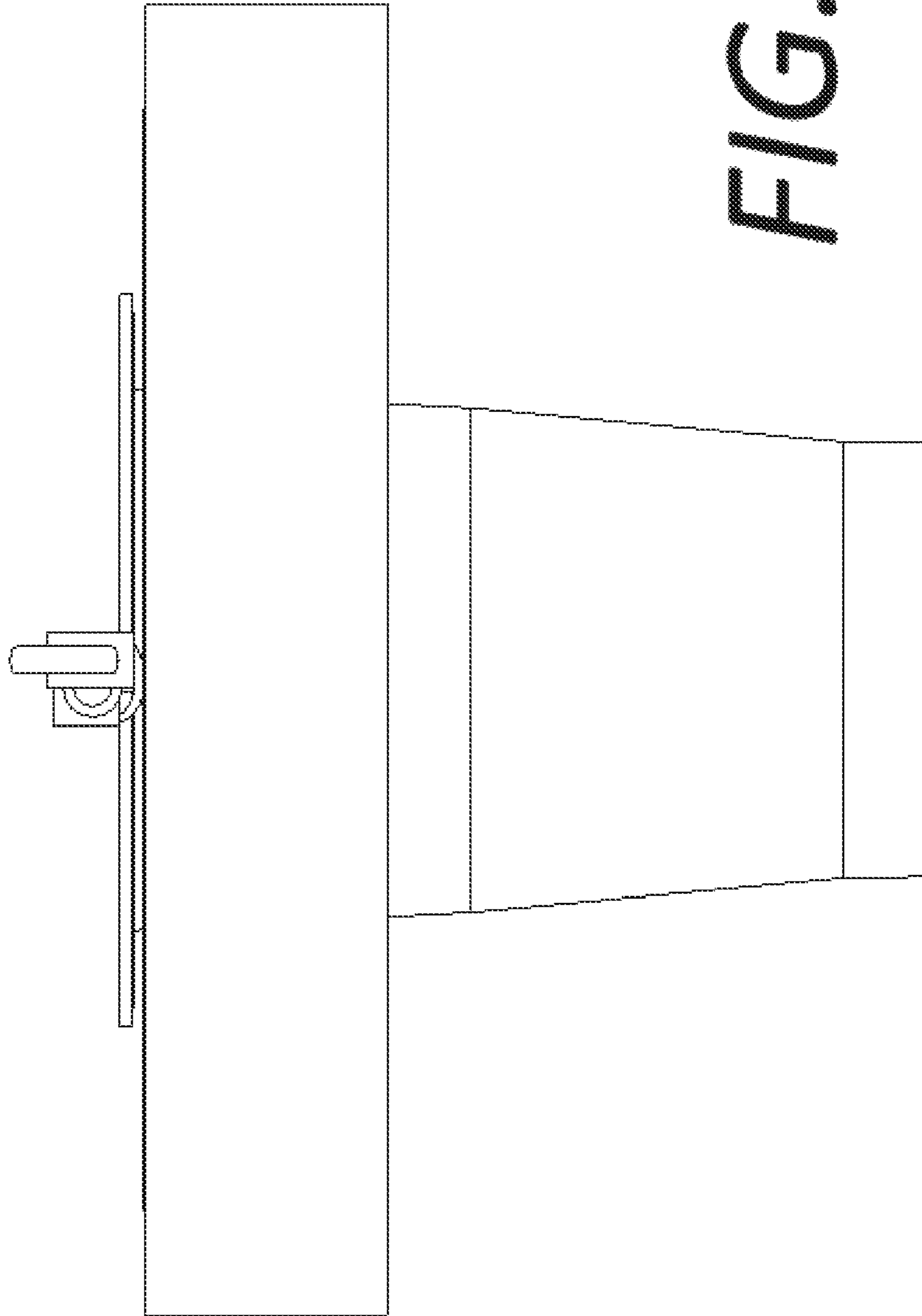


FIG. 3

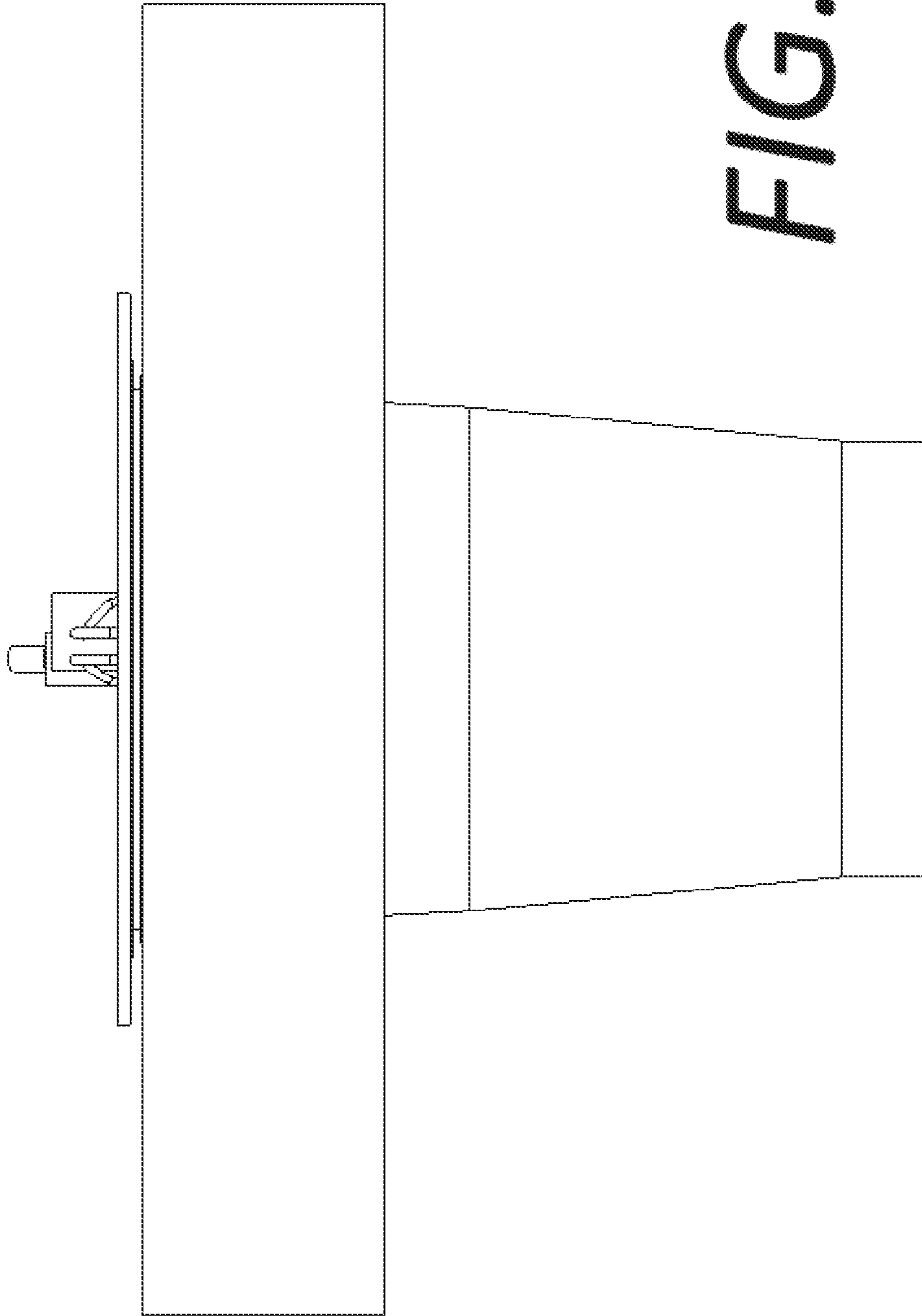


FIG. 4

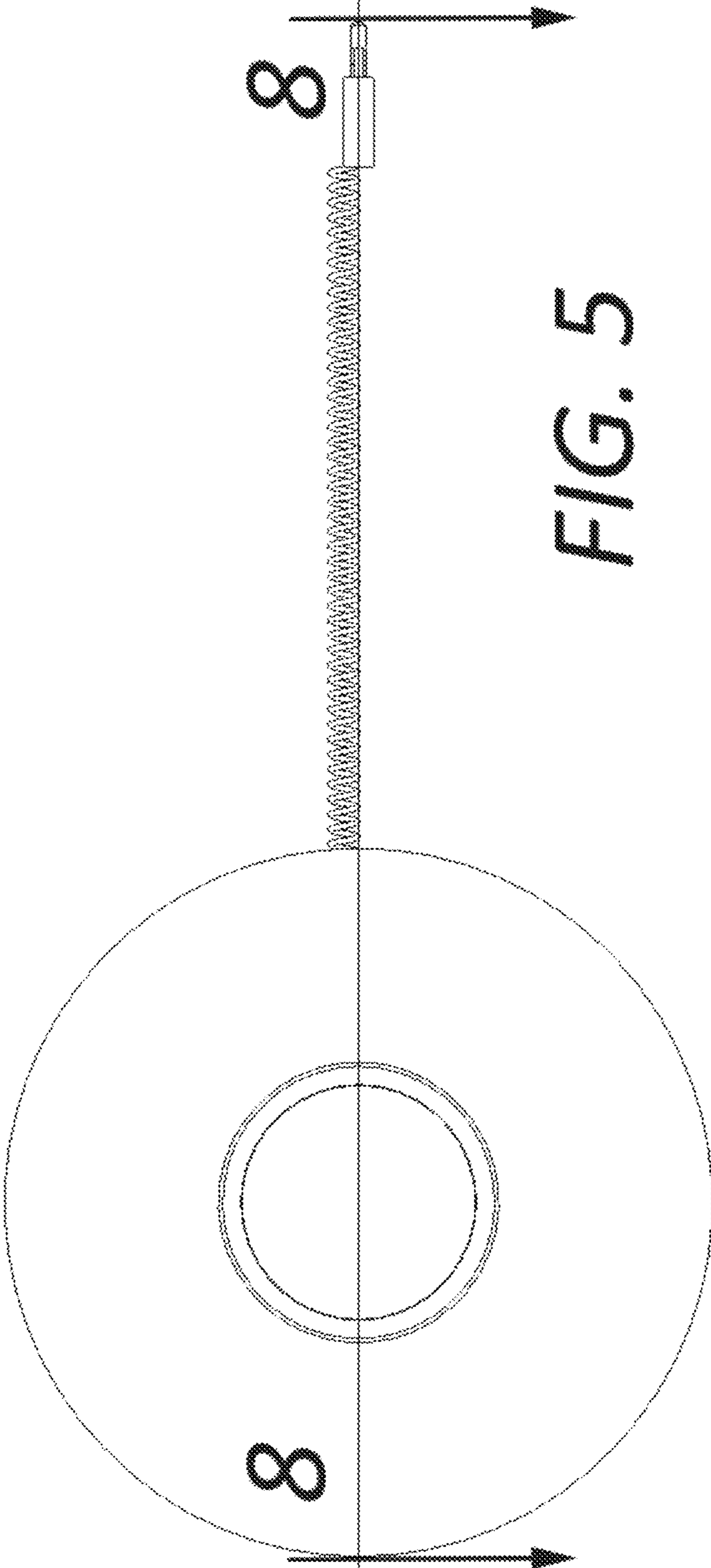


FIG. 5

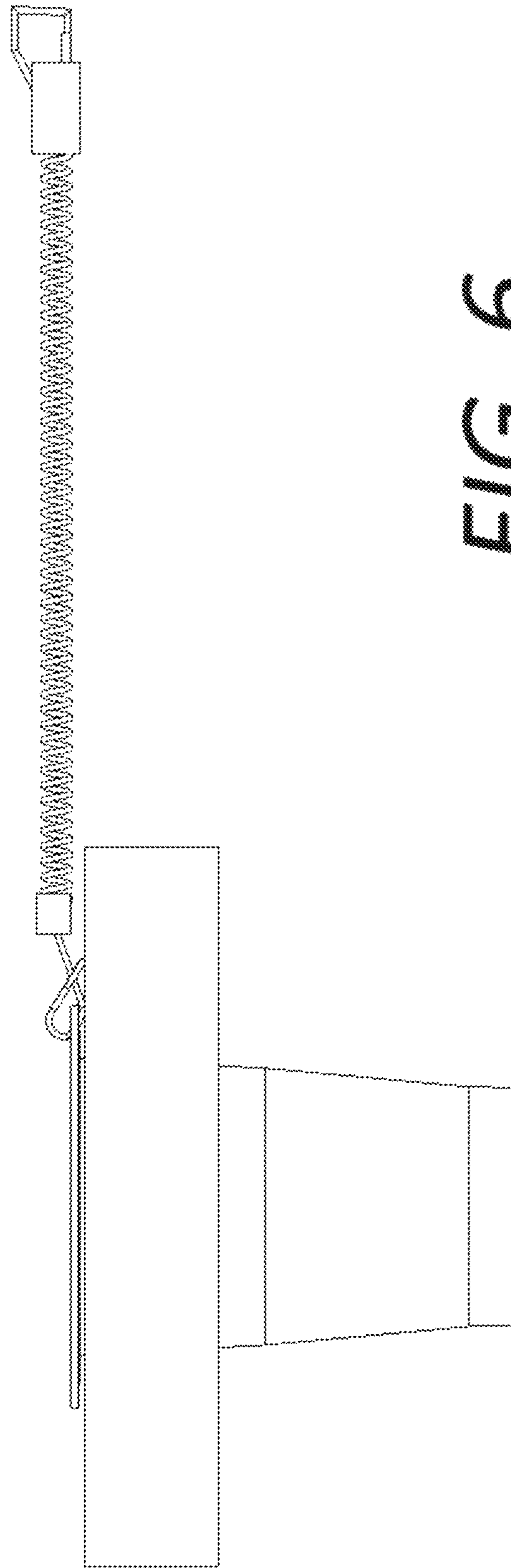


FIG. 6

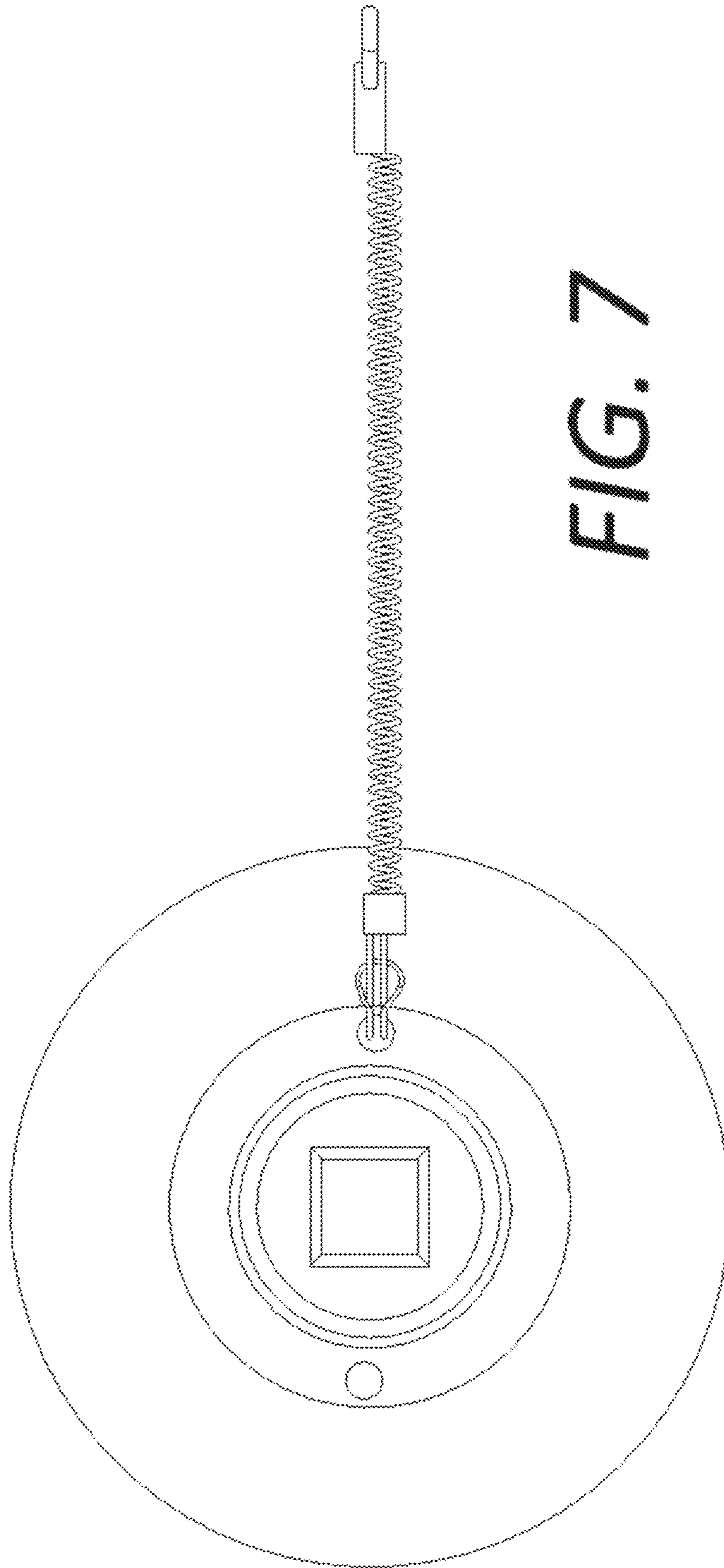


FIG. 7

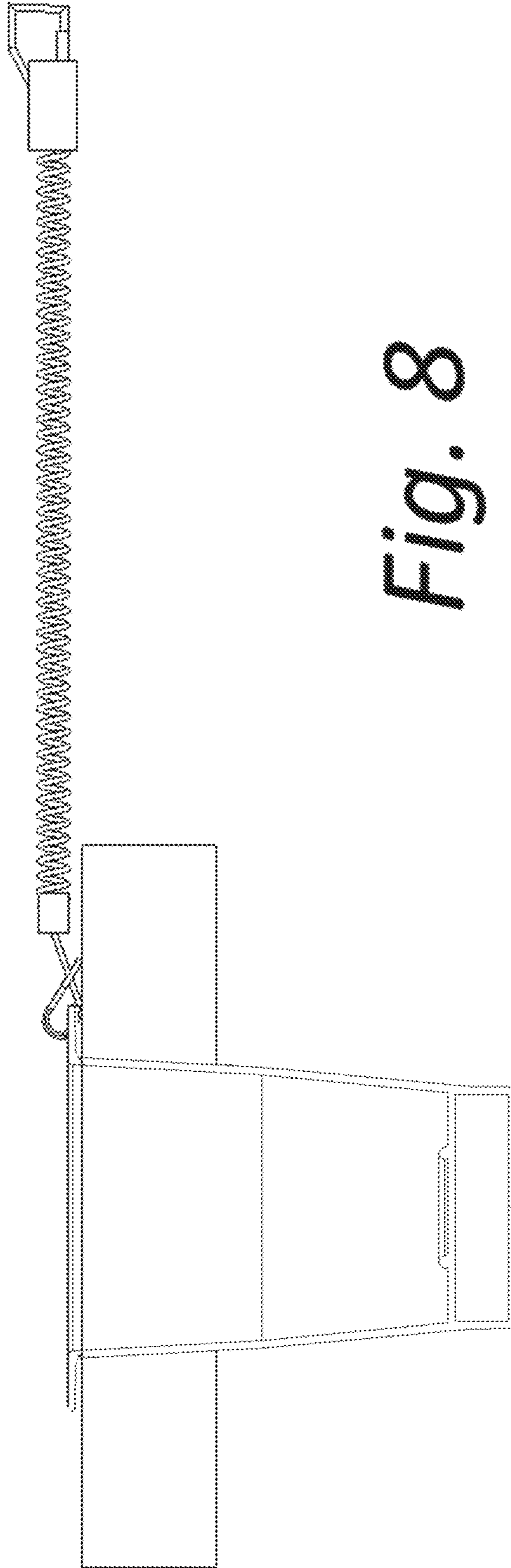


Fig. 8