

US00D873623S

(12) **United States Design Patent** (10) **Patent No.:** **US D873,623 S**  
**McGugan et al.** (45) **Date of Patent:** **\*\* Jan. 28, 2020**

(54) **COOLER**

(56) **References Cited**

(71) Applicants: **Austin Hugh McGugan**, Greensboro, NC (US); **Steven L. Spencer**, Lawsonville, NC (US); **Bruce Andrew Angel**, Stokesdale, NC (US)

U.S. PATENT DOCUMENTS

D291,858 S \* 9/1987 Baker ..... D7/605  
D330,329 S \* 10/1992 Brightbill ..... D3/302  
5,193,706 A \* 3/1993 Hanna ..... B25H 3/02  
220/315  
D361,511 S \* 8/1995 Dickinson ..... D7/605  
D566,479 S \* 4/2008 Kabalin ..... D3/273  
D645,248 S \* 9/2011 Osiecki ..... D3/276

(72) Inventors: **Austin Hugh McGugan**, Greensboro, NC (US); **Steven L. Spencer**, Lawsonville, NC (US); **Bruce Andrew Angel**, Stokesdale, NC (US)

\* cited by examiner

(73) Assignee: **Camco Manufacturing, Inc.**, Greensboro, NC (US)

*Primary Examiner* — Terry A Wallace

(74) *Attorney, Agent, or Firm* — Tuggle Duggins P.A.; Blake P. Hurt

(\*\*) Term: **15 Years**

(21) Appl. No.: **29/655,867**

(57) **CLAIM**

The ornamental design for a cooler, as shown and described.

(22) Filed: **Jul. 9, 2018**

(51) **LOC (12) Cl.** ..... **07-01**

(52) **U.S. Cl.**

USPC ..... **D7/605**

(58) **Field of Classification Search**

USPC ..... D7/605–607, 629, 630; D3/272–274, D3/201–206, 203.1–203.8

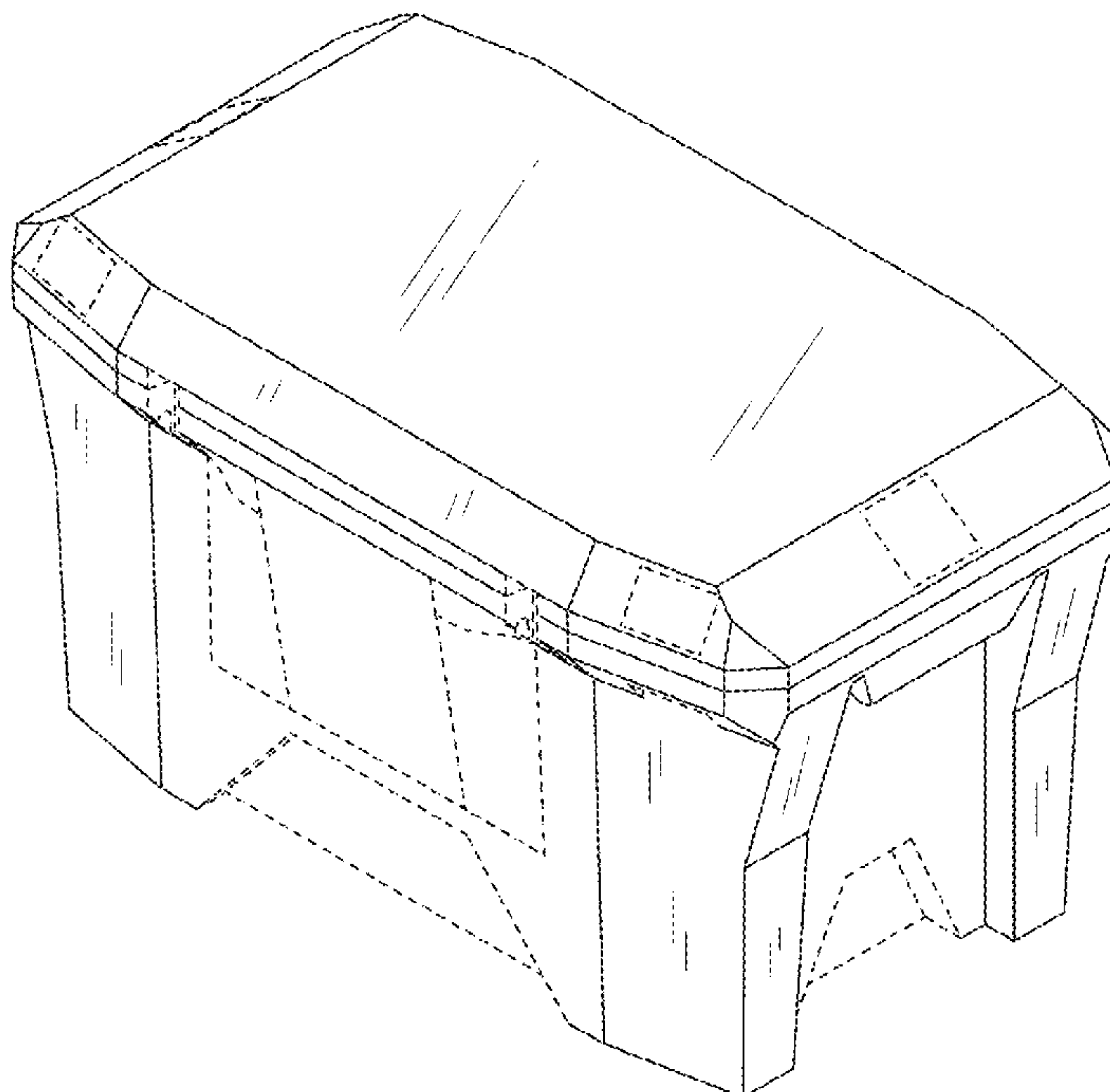
CPC .. A45C 11/20; A45C 5/14; A45C 5/03; A45C 9/00; A47B 77/08; A47J 41/022; A47G 19/2288; F25B 19/00; B62B 3/003; B65D 81/3823; B65D 81/3858; B65D 81/3813; B65D 81/3888; B65D 81/3816; B65D 81/3827; B65D 1/40; F25D 3/08; F25D 3/12; F25D 3/14; F25D 27/00; F25D 2331/804; F25D 2400/08; F25D 2400/22; F25D 31/005; F25D 25/02; F25D 21/14; F25D 2303/081; F25D 2302/804

See application file for complete search history.

**DESCRIPTION**

FIG. 1 is a top, front, right side perspective view of a cooler showing my new design;  
FIG. 2 is a bottom, front, right side perspective view thereof;  
FIG. 3 is a front elevational view thereof;  
FIG. 4 is a back elevational thereof;  
FIG. 5 is a left side elevational view thereof, the right side elevational view being a mirror image thereof;  
FIG. 6 is a top plan view thereof; and,  
FIG. 7 is a bottom plan view thereof.  
The broken lines illustrate portions of the cooler that form no part of the claim.

**1 Claim, 7 Drawing Sheets**



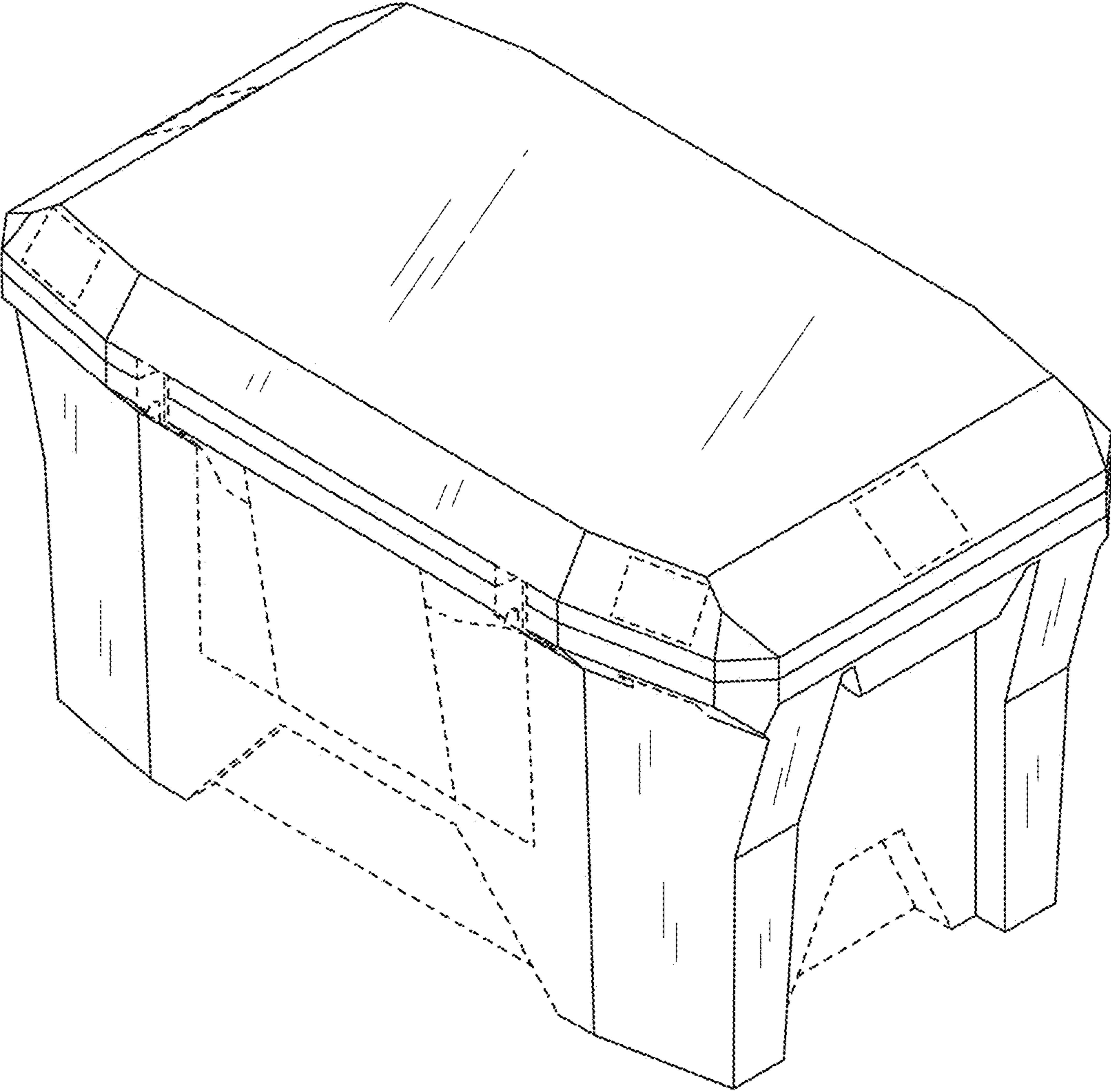


Fig. 1

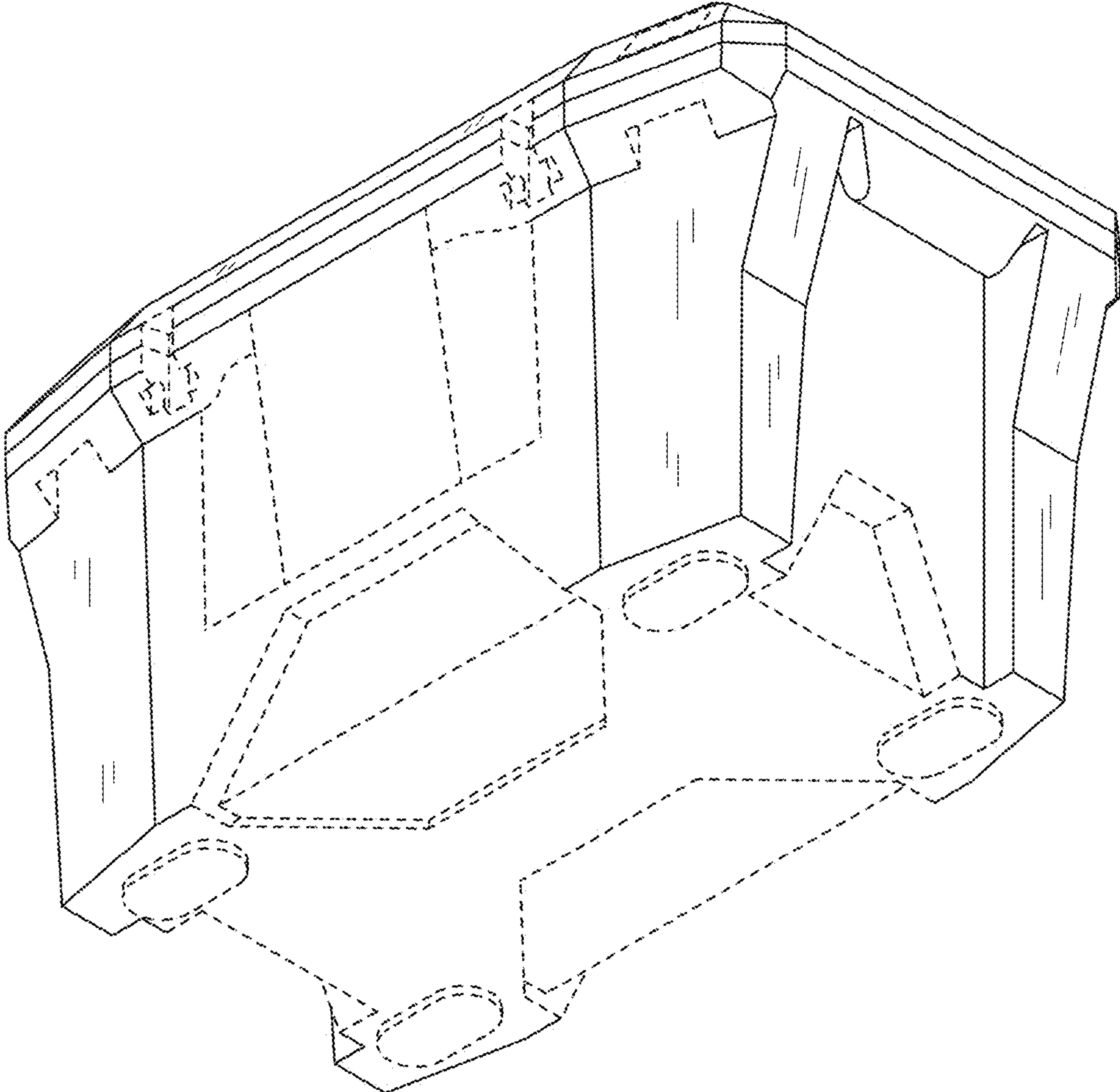


Fig. 2

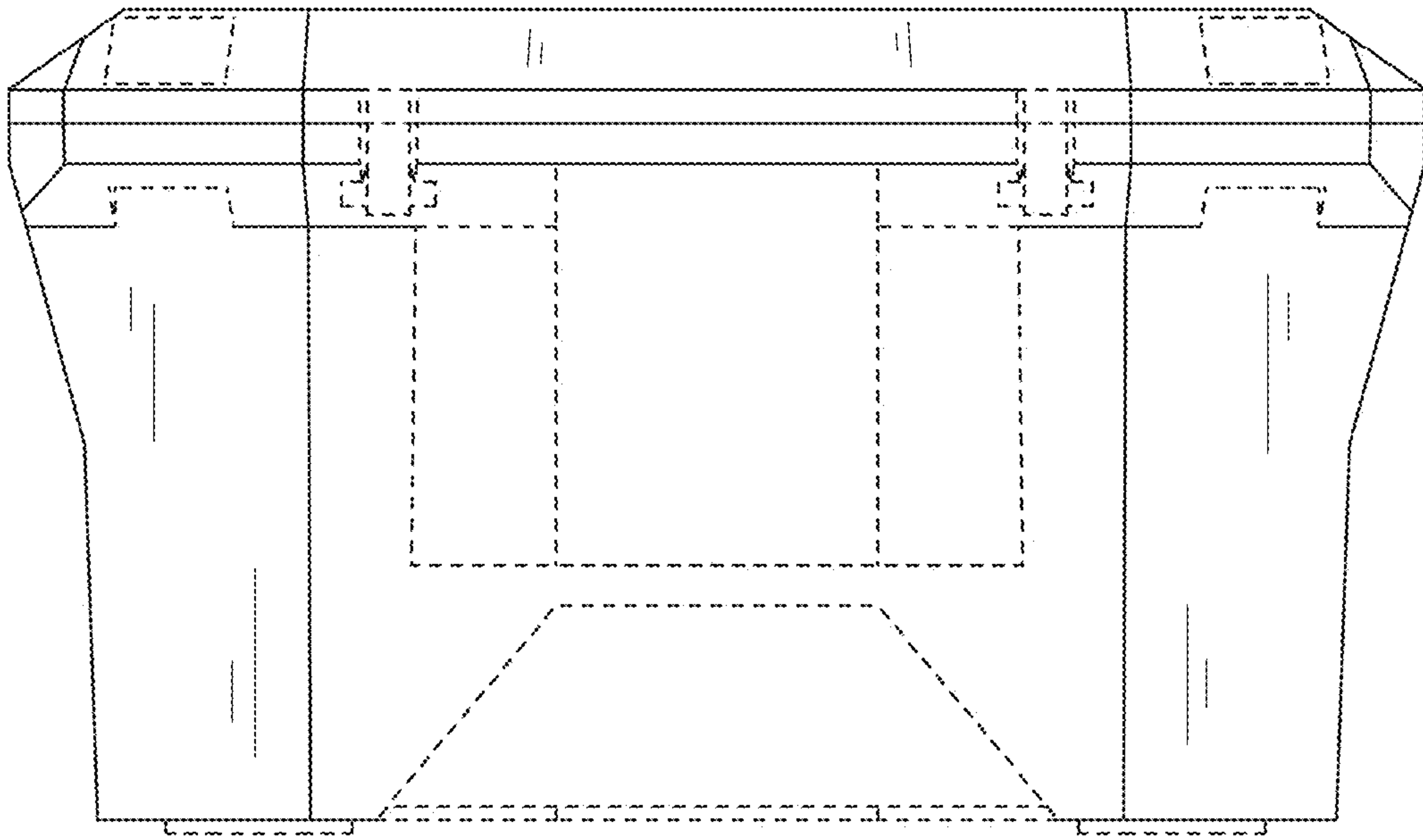


Fig. 3

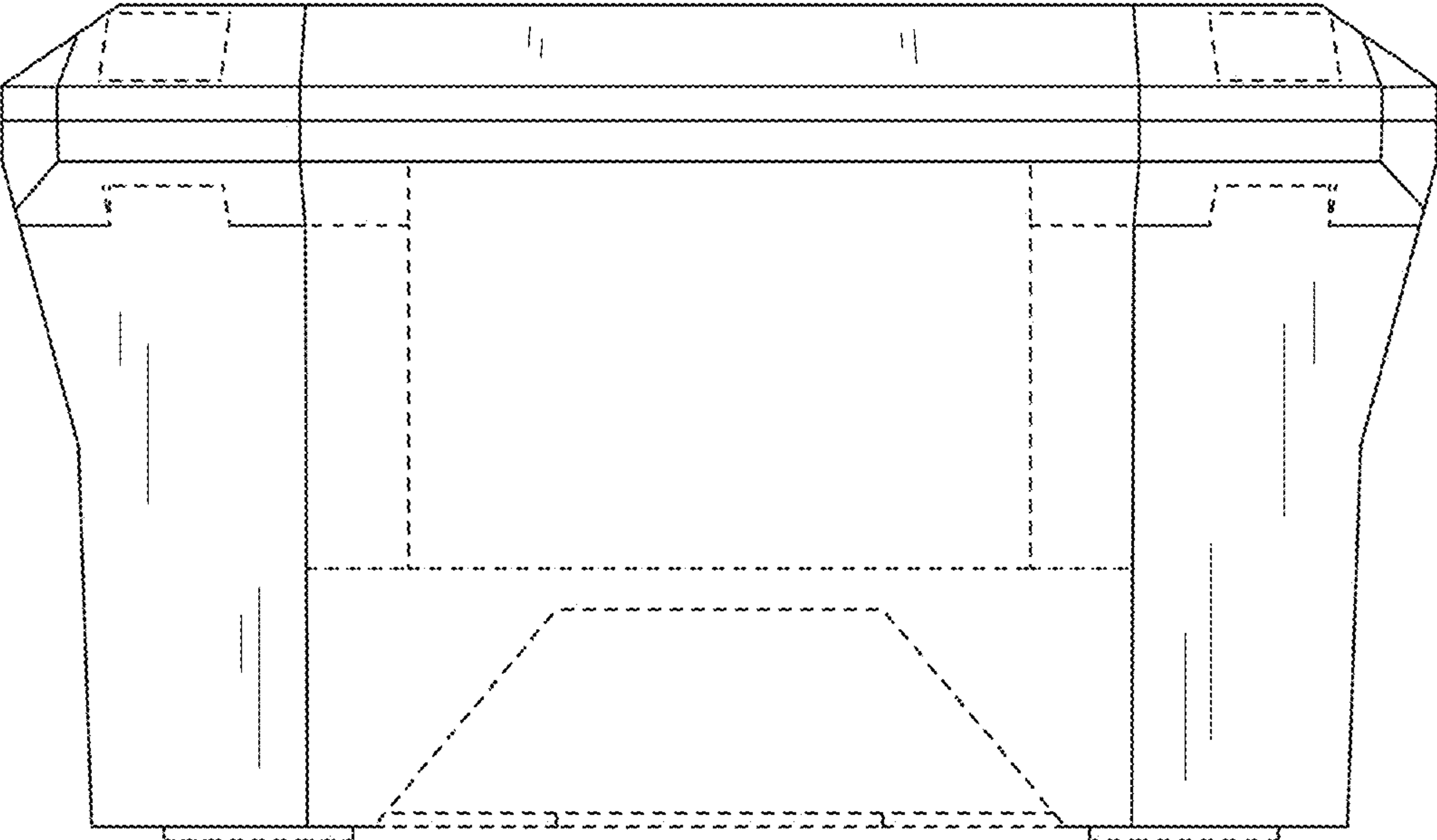


Fig. 4

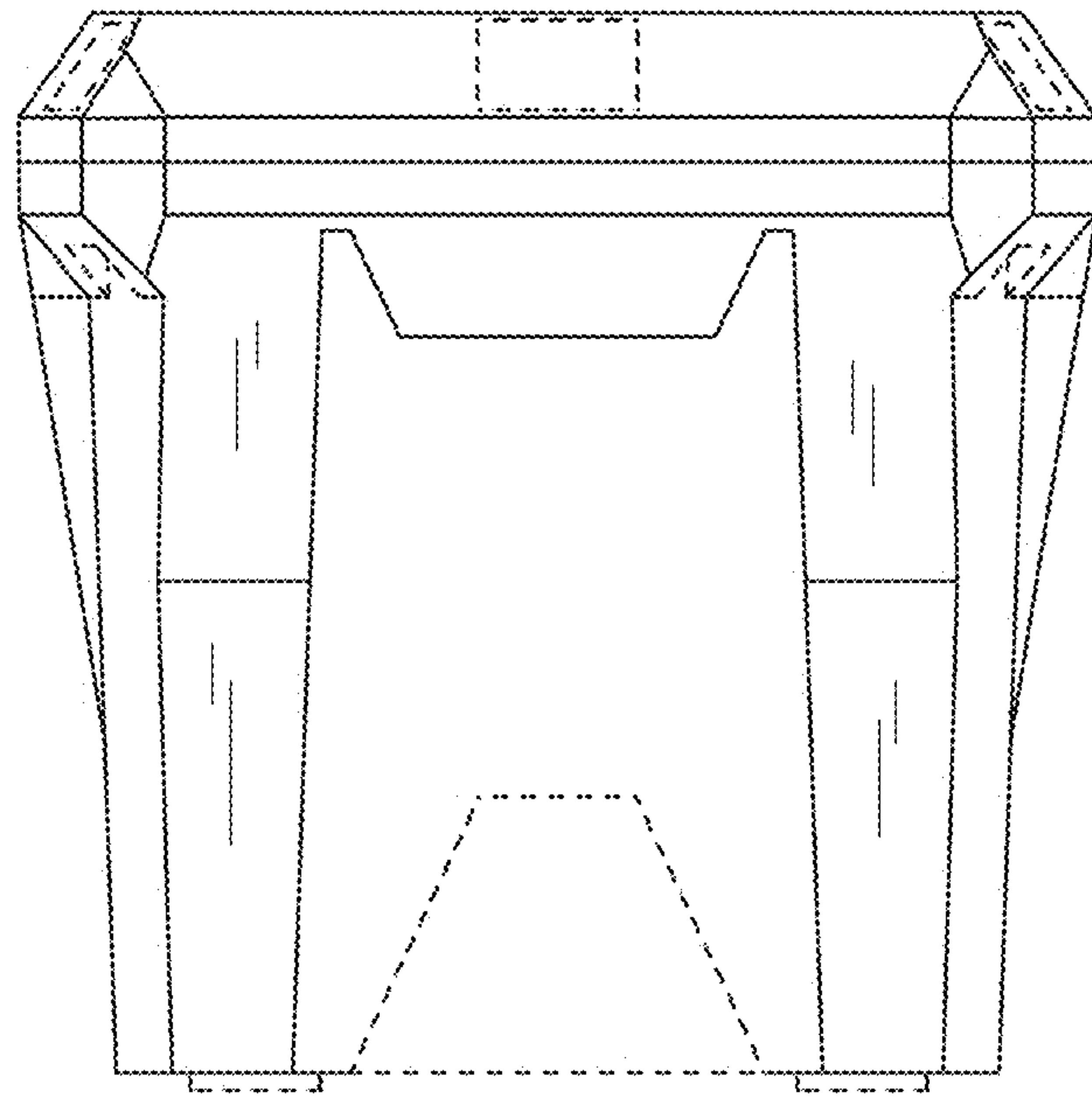


Fig. 5



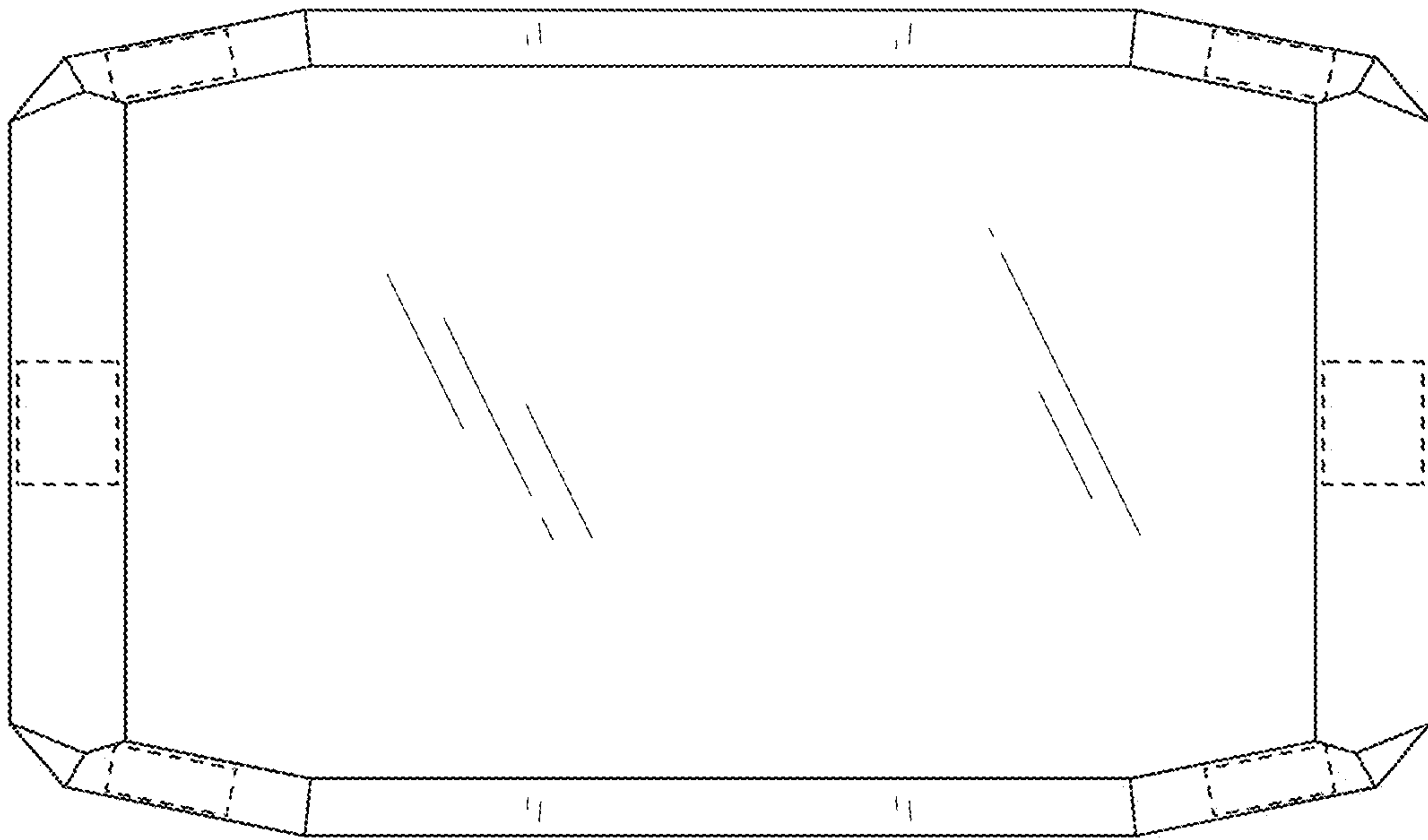


Fig. 6

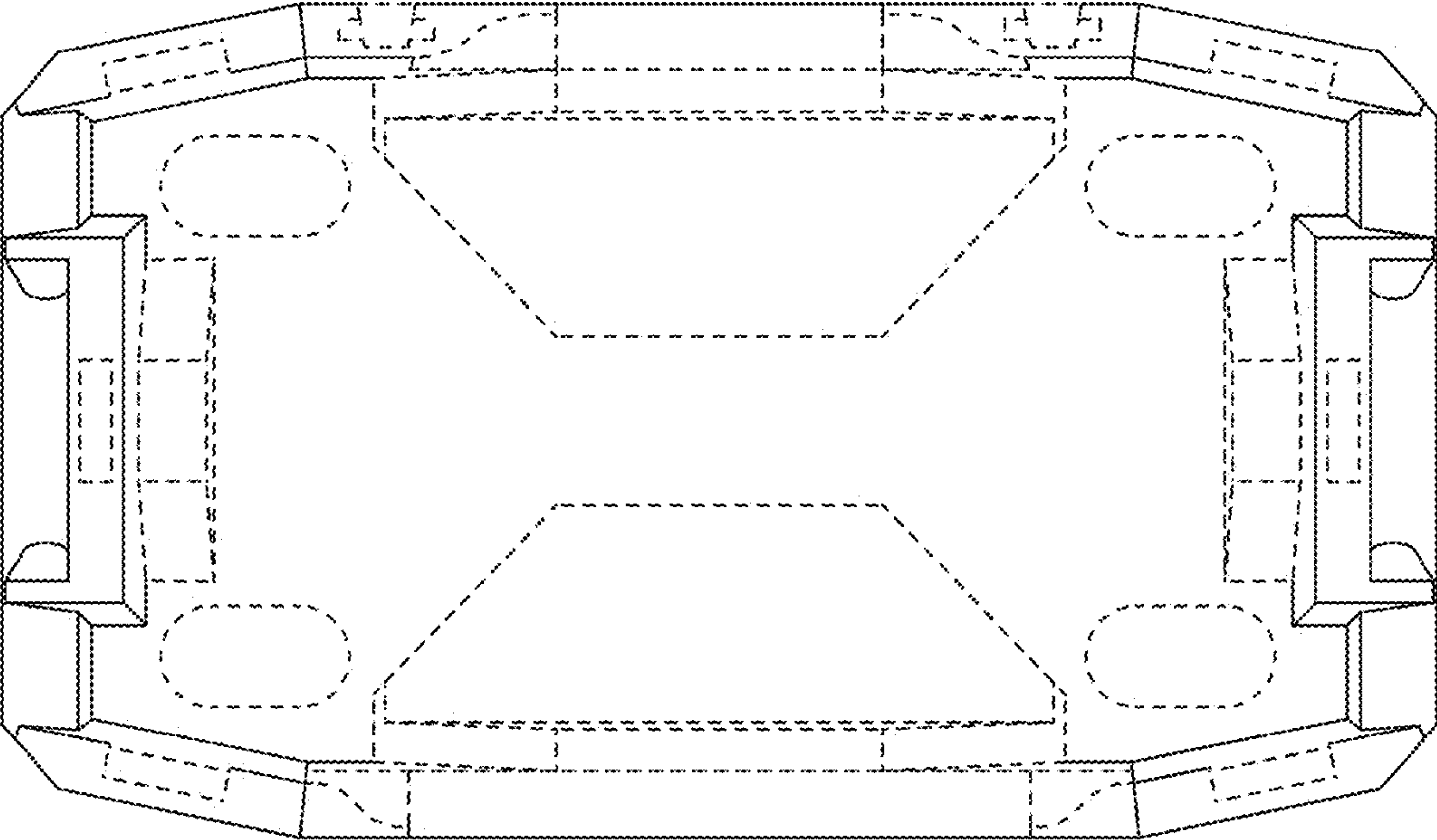


Fig. 7