



US00D873621S

(12) **United States Design Patent**  
**Egorov et al.**

(10) **Patent No.:** **US D873,621 S**

(45) **Date of Patent:** **\*\* Jan. 28, 2020**

(54) **DRINKING CUP WITH HANDLES**

(71) Applicant: **b.box for kids developments Pty Ltd,**  
Mulgrave, Victoria (AU)

(72) Inventors: **Miroslav Egorov,** Mulgrave (AU); **Lisa Edlund Tjernberg,** Mulgrave (AU); **Mayer Jung,** Mulgrave (AU); **Ty Hermans,** Mulgrave (AU)

(73) Assignee: **B.BOX FOR KIDS DEVELOPMENTS PTY LTD.,**  
Mulgrave, Victoria (AU)

(\*\*) Term: **15 Years**

(21) Appl. No.: **29/672,104**

(22) Filed: **Dec. 3, 2018**

(51) **LOC (12) Cl.** ..... **07-01**

(52) **U.S. Cl.**  
USPC ..... **D7/534; D7/510; D7/529; D7/532**

(58) **Field of Classification Search**  
USPC ..... **D7/507, 509, 510, 511, 529, 531, 532, D7/523, 533, 534, 535, 536, 392.1, 296.1, D7/396.2, 387, 300.1, 591, 688, 665; D9/500, 50, 502, 503, 504, 516, 556, 569, D9/542, 530, 531; D3/202**  
CPC ..... **A47G 19/22; A47G 19/2288; A47G 19/2205; A47G 19/2227; B65D 1/265; A47J 43/27; A45F 3/16**  
See application file for complete search history.

(56) **References Cited**

**U.S. PATENT DOCUMENTS**

D322,196 S \* 12/1991 Ohnuki ..... D7/510  
D513,932 S \* 1/2006 De Oliveira ..... D7/510

D717,105 S \* 11/2014 Aslan ..... D7/393  
D718,090 S \* 11/2014 Roehrig ..... D7/510  
D741,658 S \* 10/2015 Dunn ..... A47G 19/2272  
D7/510  
D800,506 S \* 10/2017 Wu ..... D7/534  
D820,044 S \* 6/2018 Jenkins ..... D7/510

\* cited by examiner

*Primary Examiner* — Jae Liang

(74) *Attorney, Agent, or Firm* — Brooks Kushman P.C.

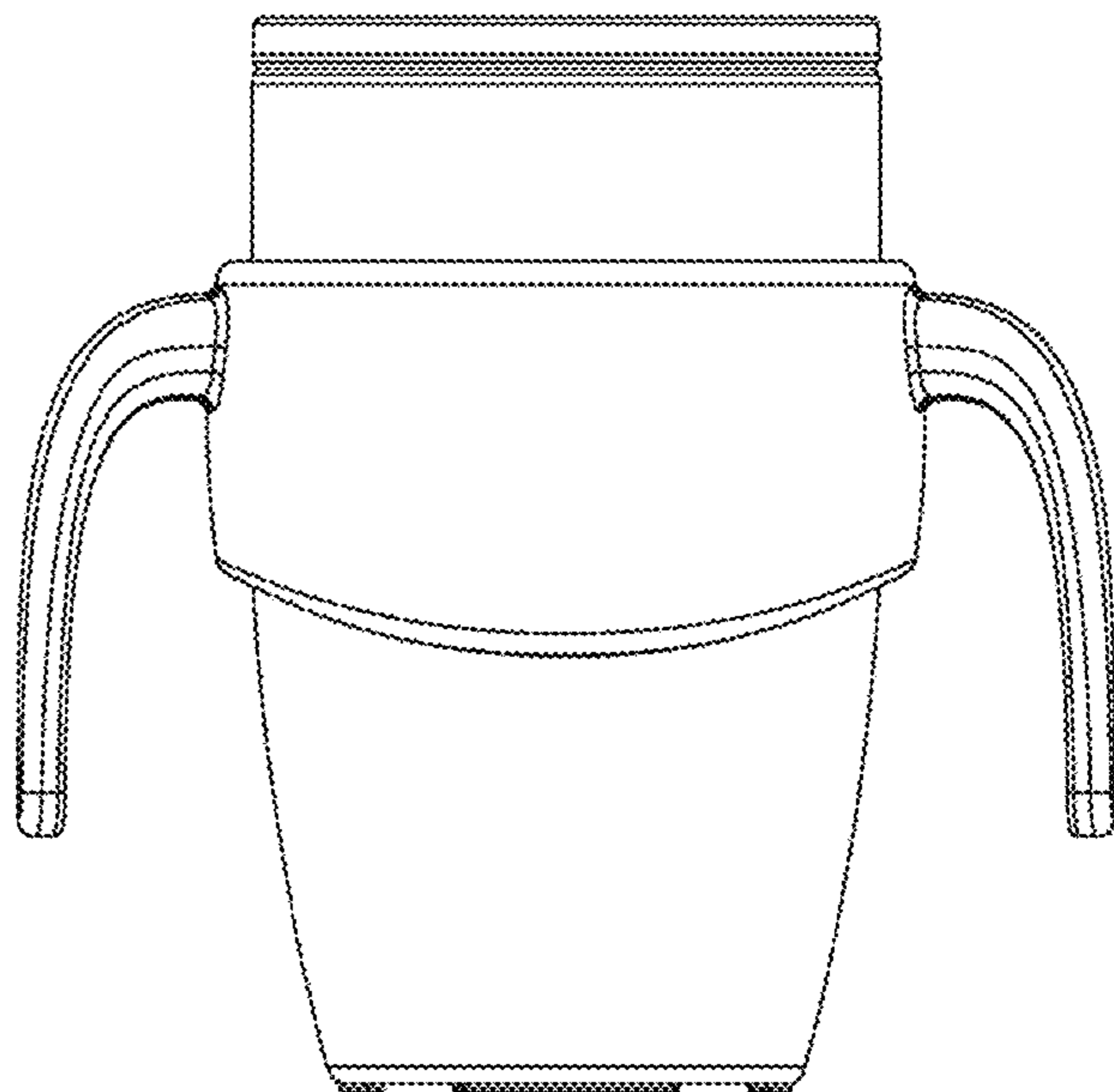
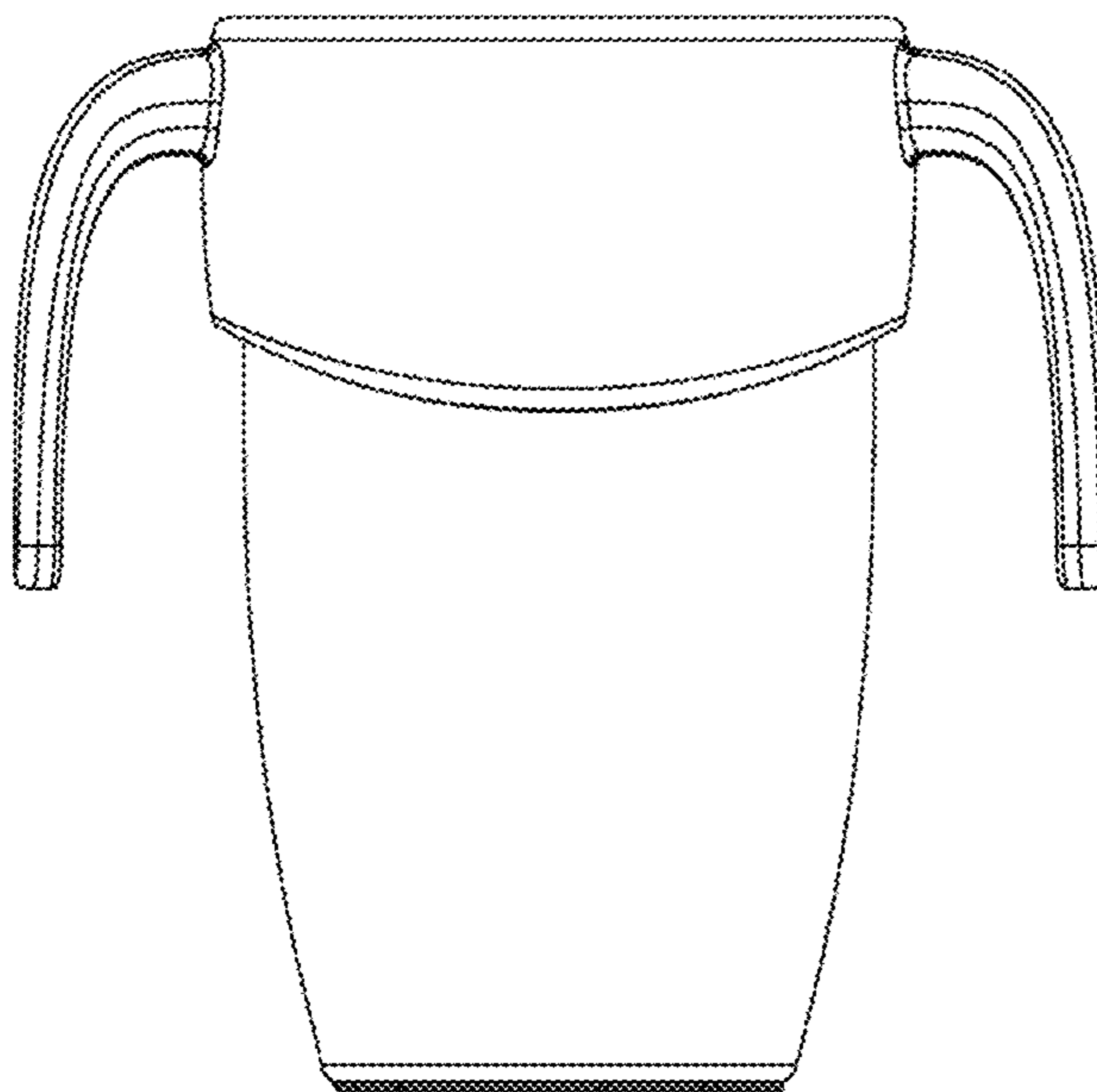
(57) **CLAIM**

The ornamental design for a drinking cup with handles, as shown and described.

**DESCRIPTION**

FIG. 1 is a front side view of a drinking cup with handles in the closed position;  
FIG. 2 is a front side view of a drinking cup with handles in the open position  
FIG. 3 is a right-side view of the of a drinking cup with handles in the closed position, the left-side view being a mirror image thereof;  
FIG. 4 is a right-side view of the of a drinking cup with handles in the open position, the left-side view being a mirror image thereof;  
FIG. 5 is a top plan view of a drinking cup with handles;  
FIG. 6 is a bottom plan view of a drinking cup with handles;  
FIG. 7 is a perspective view of a drinking cup with handles in the closed position; and,  
FIG. 8 is a perspective view of a drinking cup with handles in the open position.

**1 Claim, 4 Drawing Sheets**



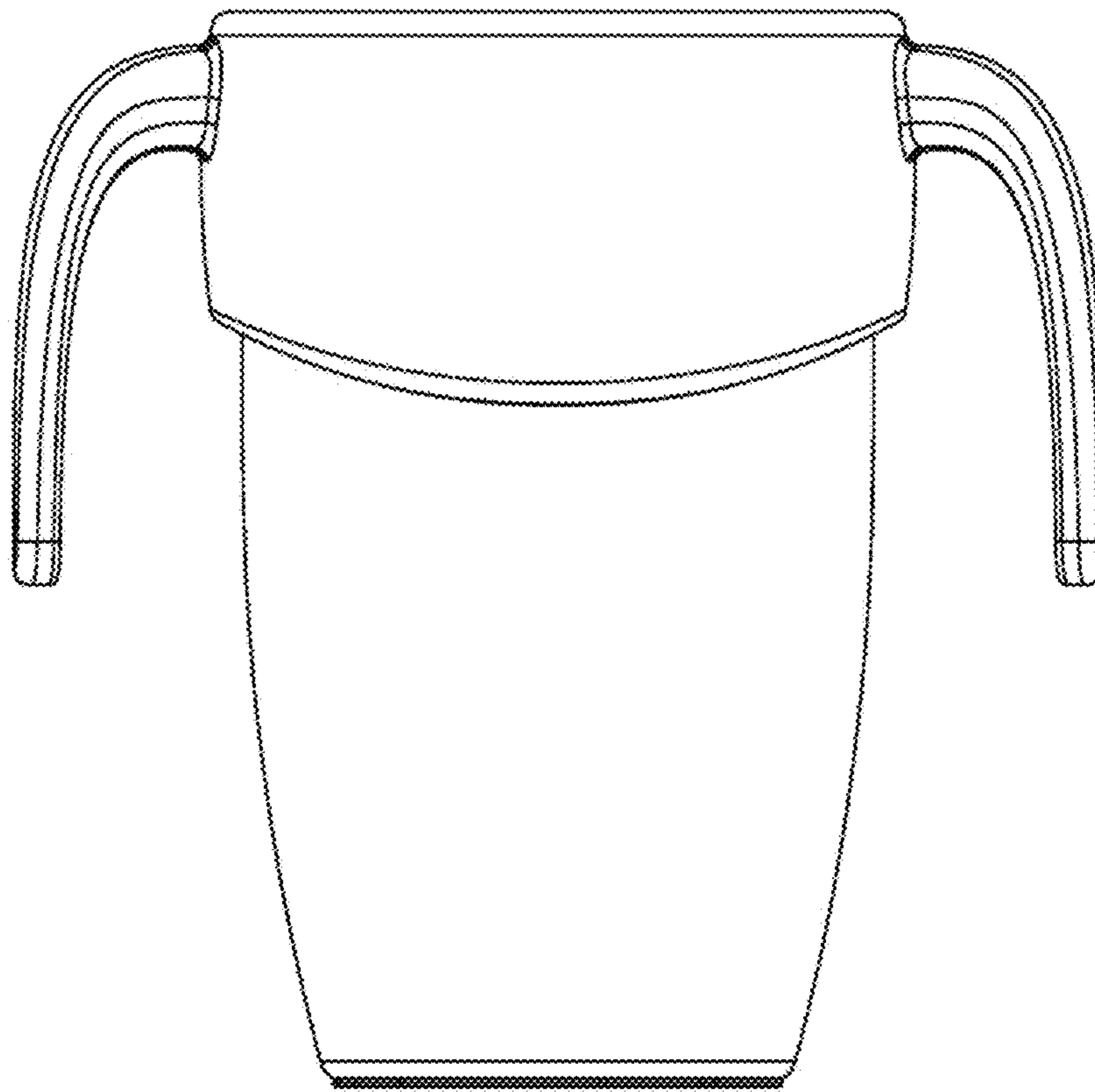


Fig. 1

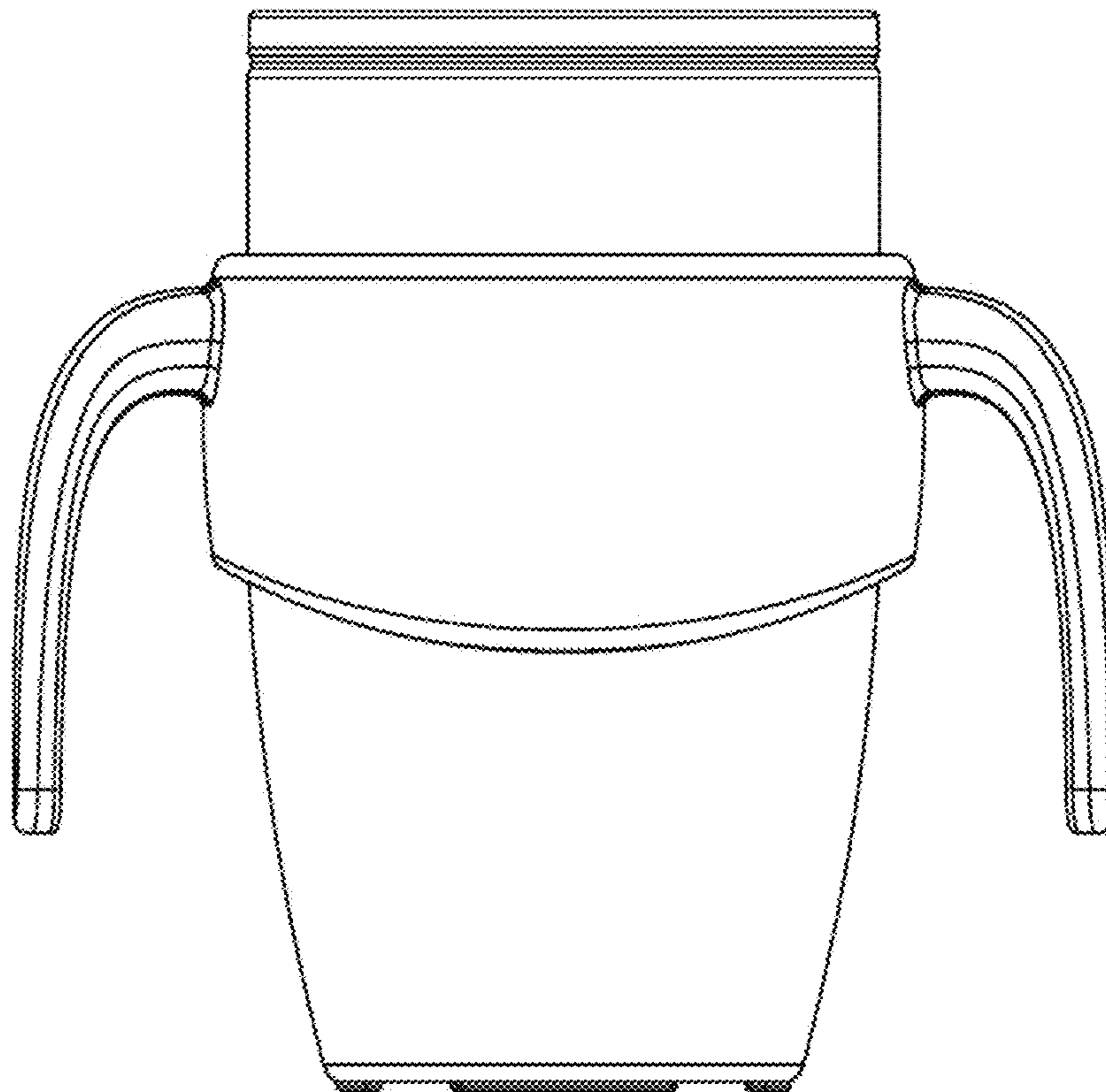


Fig. 2

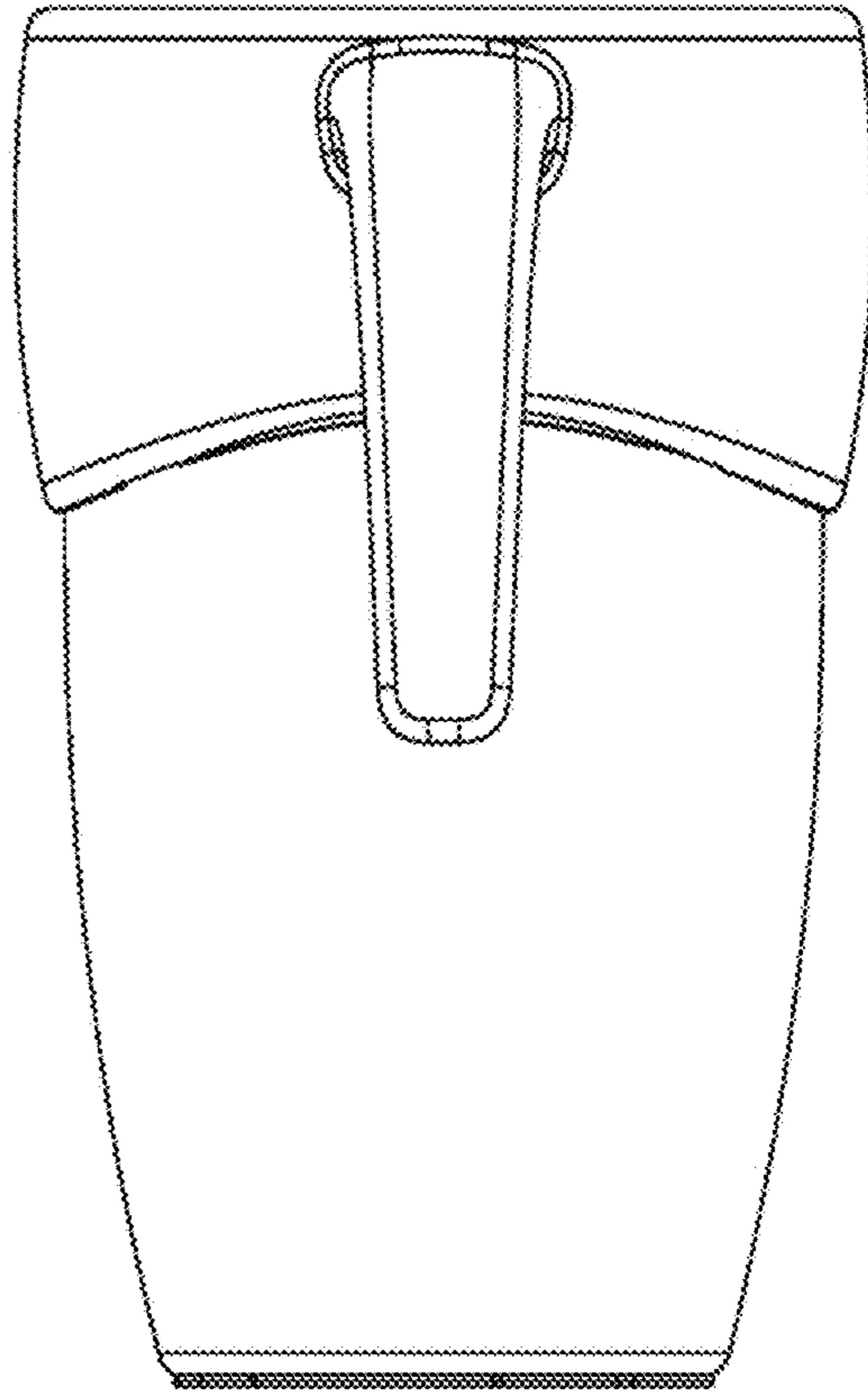


Fig. 3

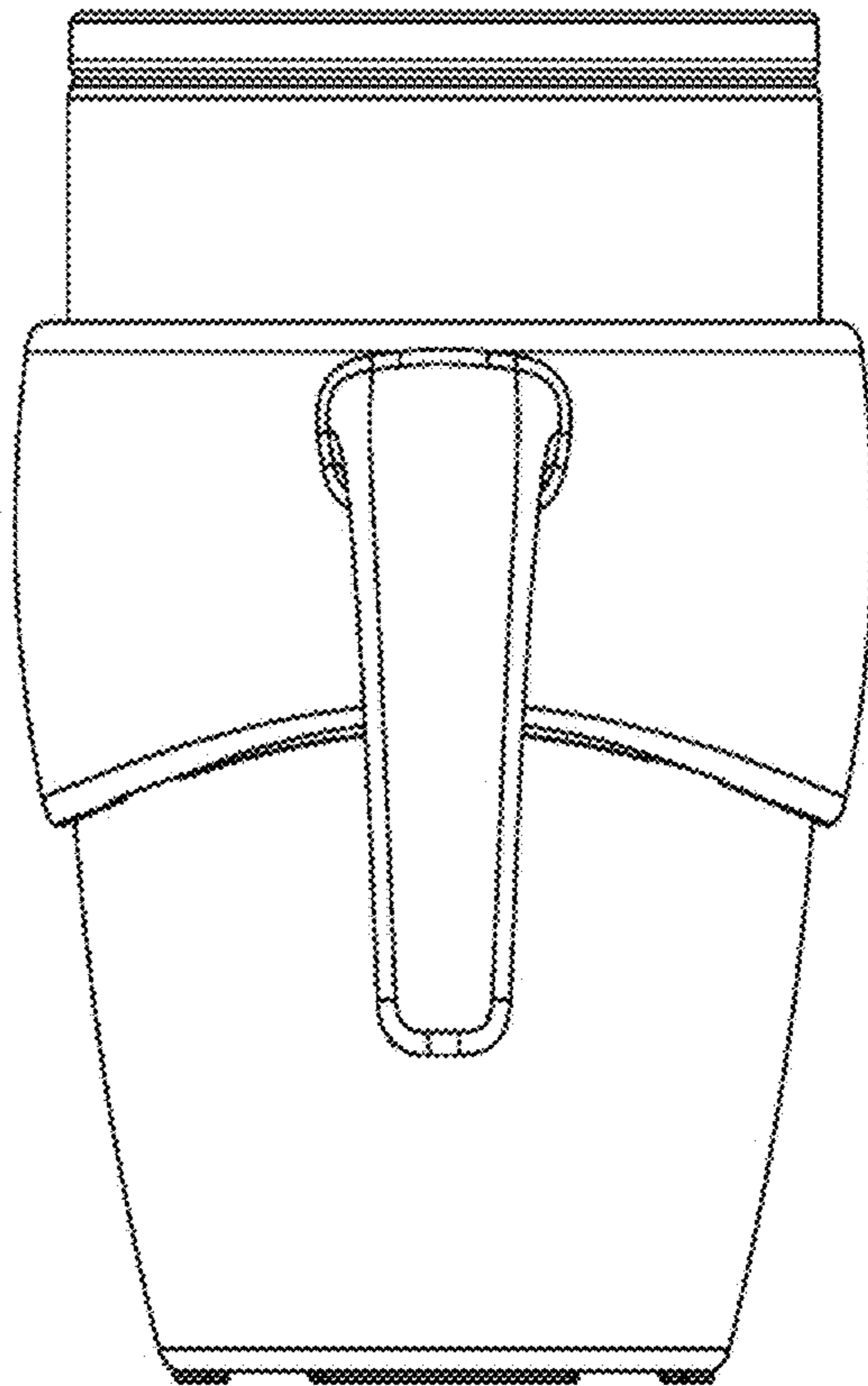


Fig. 4

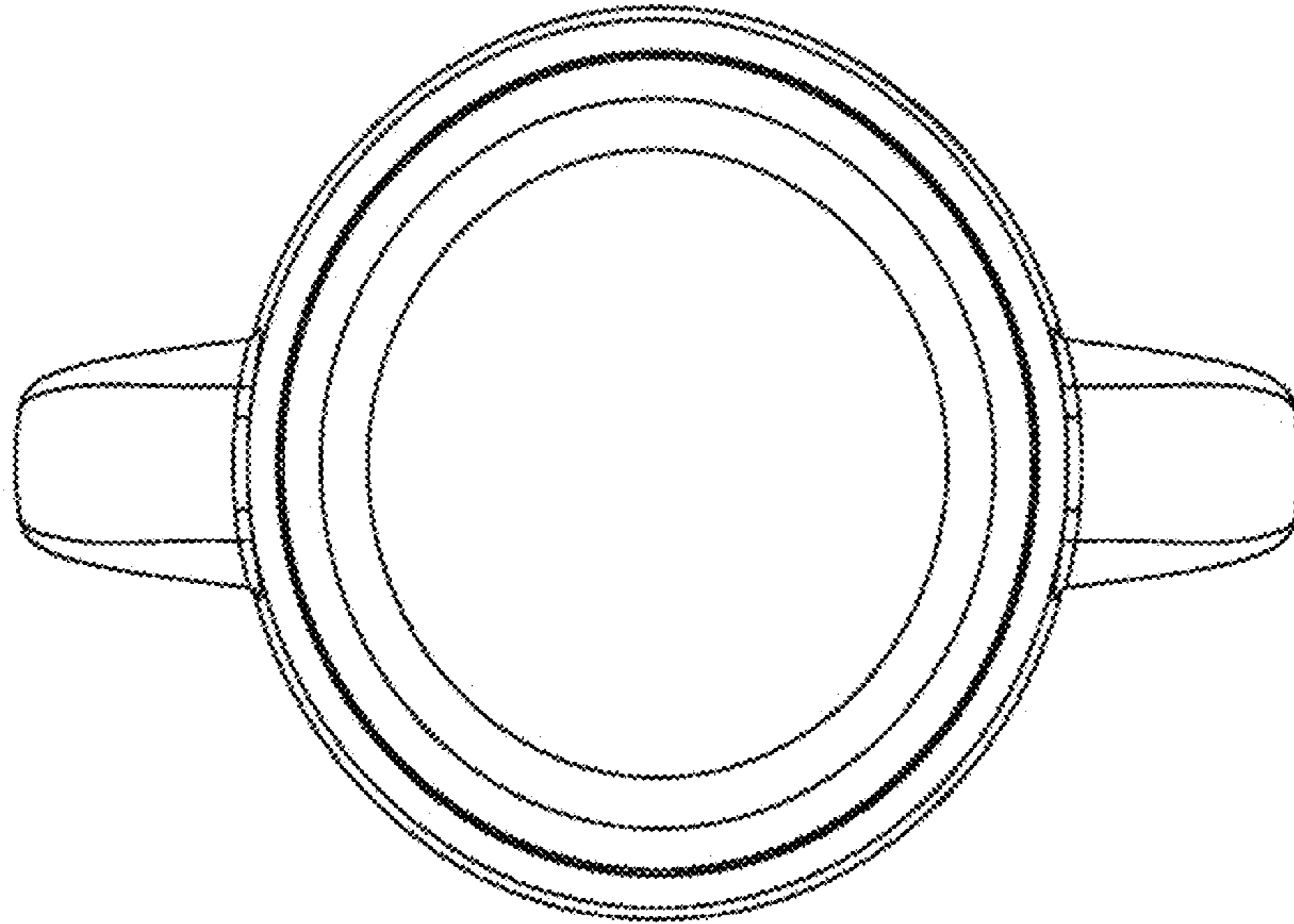


Fig. 5

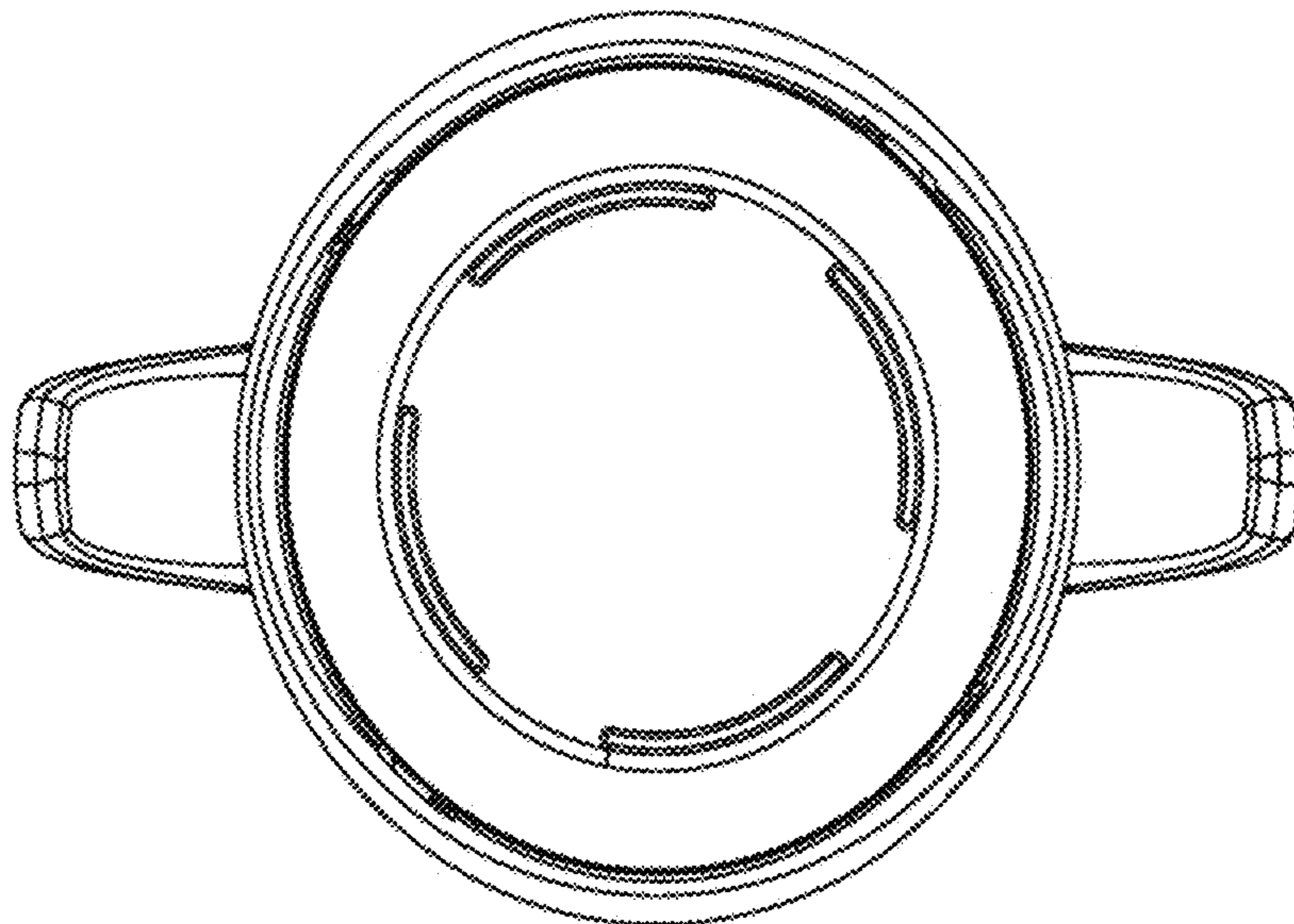


Fig. 6

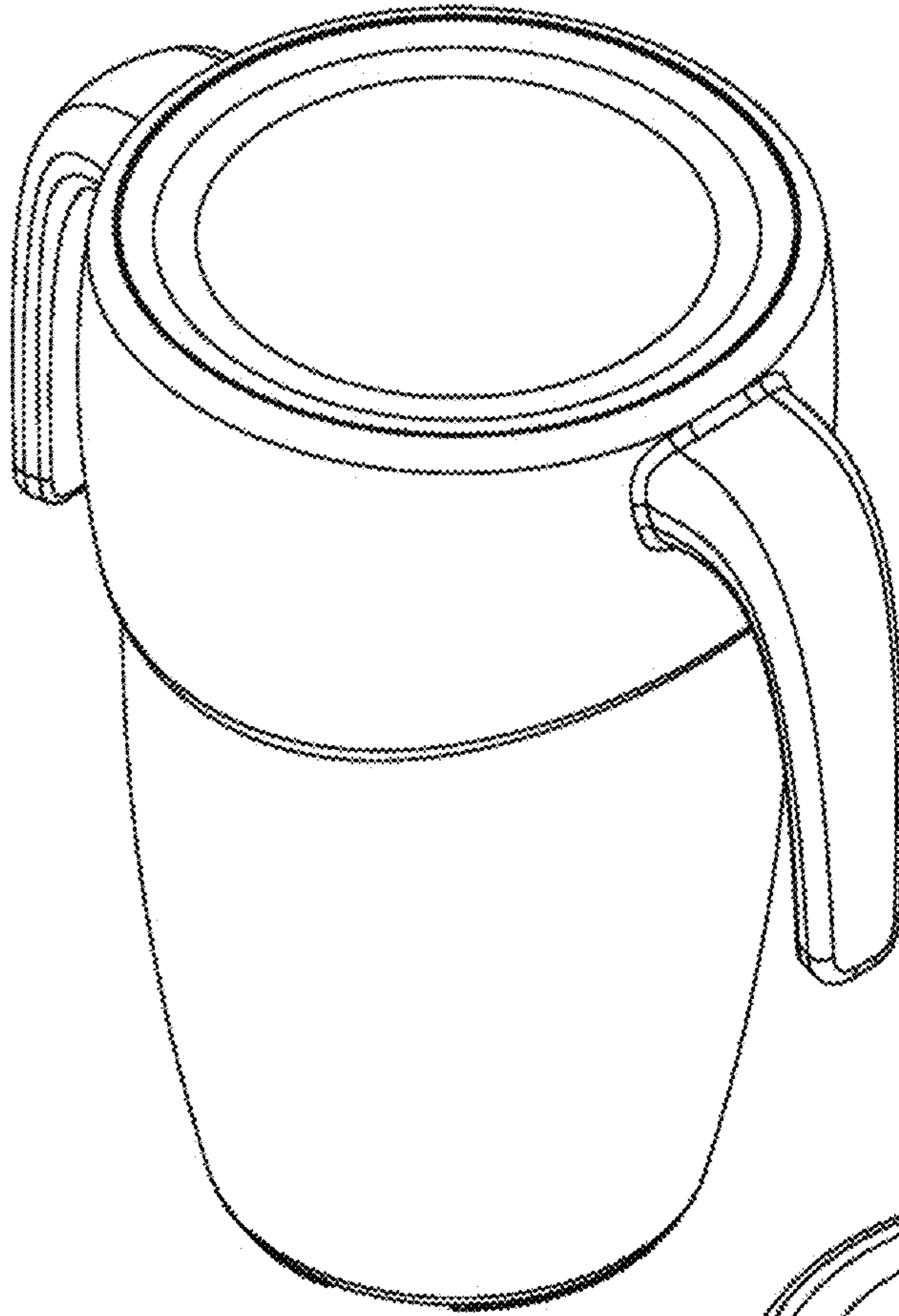


Fig. 7

Fig. 8

