



US00D873620S

(12) **United States Design Patent**  
**Wands**

(10) **Patent No.:** **US D873,620 S**

(45) **Date of Patent:** **\*\* Jan. 28, 2020**

(54) **CUP**  
(71) Applicant: **WandsIP Pty Ltd**, Birtinya (AU)  
(72) Inventor: **Richard Wands**, Birtinya (AU)  
(73) Assignee: **WANDSIP PTY LTD**, Birtinya (AU)  
(\*\*) Term: **15 Years**

(21) Appl. No.: **29/653,483**  
(22) Filed: **Jun. 15, 2018**

(30) **Foreign Application Priority Data**

Dec. 19, 2017 (AU) ..... 201717760

(51) **LOC (12) Cl.** ..... **07-01**

(52) **U.S. Cl.**  
USPC ..... **D7/532; D7/523**

(58) **Field of Classification Search**  
USPC ..... D7/507, 509, 510, 511, 523, 532, 533,  
D7/535, 536, 300.1, 608, 392.1, 396.2,  
D7/629; D9/435, 449, 454, 450, 763,  
D9/767; 220/200, 592.16, 592.17;  
D3/202; D11/152, 153, 143, 144  
CPC ..... A47J 43/27; A47J 41/02; A47J 41/0077;  
A47G 19/22; A47G 19/2288; A47G  
19/2205  
See application file for complete search history.

(56) **References Cited**

**U.S. PATENT DOCUMENTS**

RE23,106 E \* 5/1949 Gulick ..... A47G 19/2288  
156/278  
2,863,585 A \* 12/1958 Meshberg ..... A47G 19/2288  
215/12.1  
2,899,098 A \* 8/1959 Gits ..... A47G 19/2288  
215/12.1  
3,349,950 A \* 10/1967 Wanderer ..... B65D 1/26  
220/287  
D373,704 S \* 9/1996 Doxey ..... D7/391

6,010,029 A \* 1/2000 Wang ..... B65D 47/265  
220/254.4  
D466,371 S \* 12/2002 Parker ..... D7/510  
D480,264 S \* 10/2003 de Groote ..... D7/392.1  
D598,743 S \* 8/2009 LaMasney ..... D7/316  
D675,482 S \* 2/2013 Heggestad ..... D7/400  
D688,523 S \* 8/2013 Lees ..... D7/510  
D707,490 S \* 6/2014 Hertaus ..... D7/397  
D746,105 S \* 12/2015 de Neufville ..... D7/399  
D763,039 S \* 8/2016 Ionov ..... D7/510

(Continued)

Primary Examiner — Jae Liang

(74) *Attorney, Agent, or Firm* — Hodgson Russ LLP

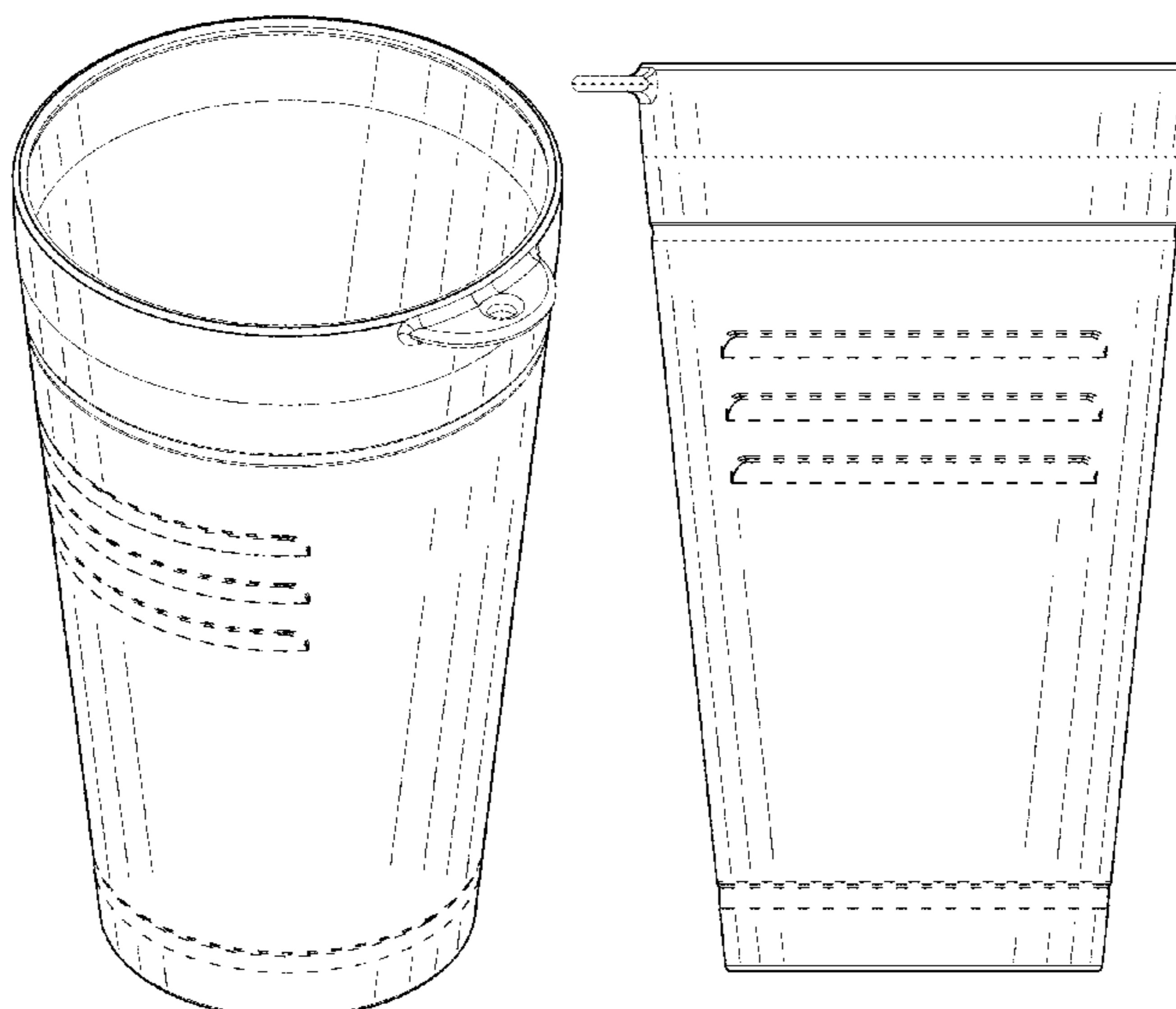
(57) **CLAIM**

The ornamental design for a cup, as shown and described.

**DESCRIPTION**

FIG. 1 is a top perspective view of a cup showing my new design;  
FIG. 2 is a bottom perspective view thereof;  
FIG. 3 is a front elevation view thereof;  
FIG. 4 is a right side elevation view thereof;  
FIG. 5 is a rear elevation view thereof;  
FIG. 6 is a left side elevation view thereof;  
FIG. 7 is a top plan view thereof;  
FIG. 8 is a bottom plan view thereof;  
FIG. 9 is a cross-sectional view thereof taken, along 9-9 of FIG. 3;  
FIG. 10 is a detail view thereof, according to reference 10 of FIG. 9;  
FIG. 11 is another top perspective view thereof, showing the cup stacked within additional exemplary cups; and,  
FIG. 12 is another left side elevation view thereof, showing the cup stacked within additional exemplary cups.  
The broken lines depict unclaimed features of the cup as well as environmental features that form no part of the claimed design.

**1 Claim, 12 Drawing Sheets**



(56)

**References Cited**

U.S. PATENT DOCUMENTS

D765,471	S *	9/2016	Gorbold .....	D7/509
D792,155	S *	7/2017	Stover .....	D7/510
D793,809	S *	8/2017	Bodum .....	D7/509
D795,643	S *	8/2017	Barlow .....	D7/510
D805,853	S *	12/2017	Waskow .....	D7/608
D805,854	S *	12/2017	Waskow .....	D7/608
D851,998	S *	6/2019	O’Nan .....	D7/532
2008/0264959	A1 *	10/2008	Unda .....	B65D 1/265
				220/711
2014/0124513	A1 *	5/2014	Shearer .....	A47G 19/2261
				220/592.17

\* cited by examiner

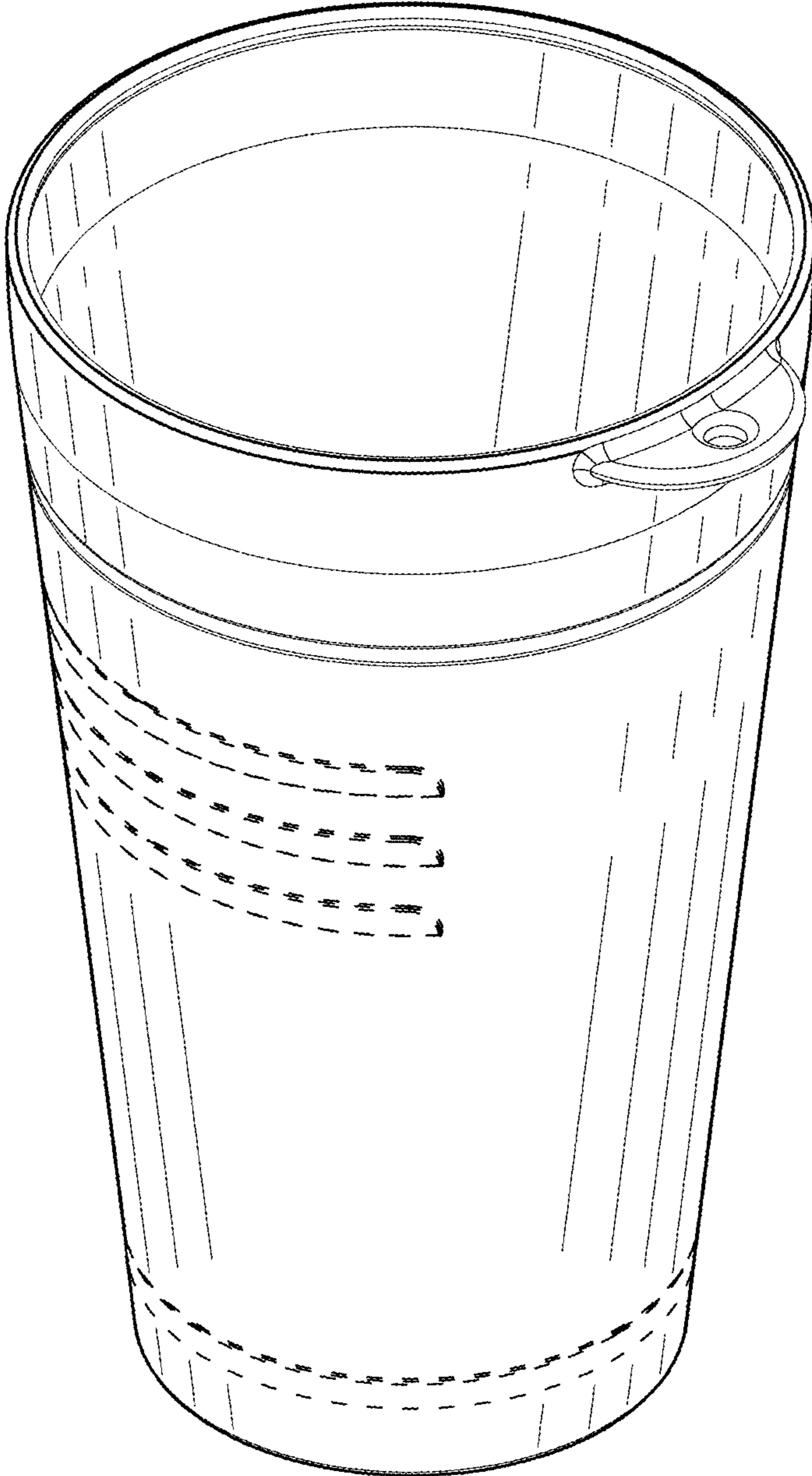


Fig. 1

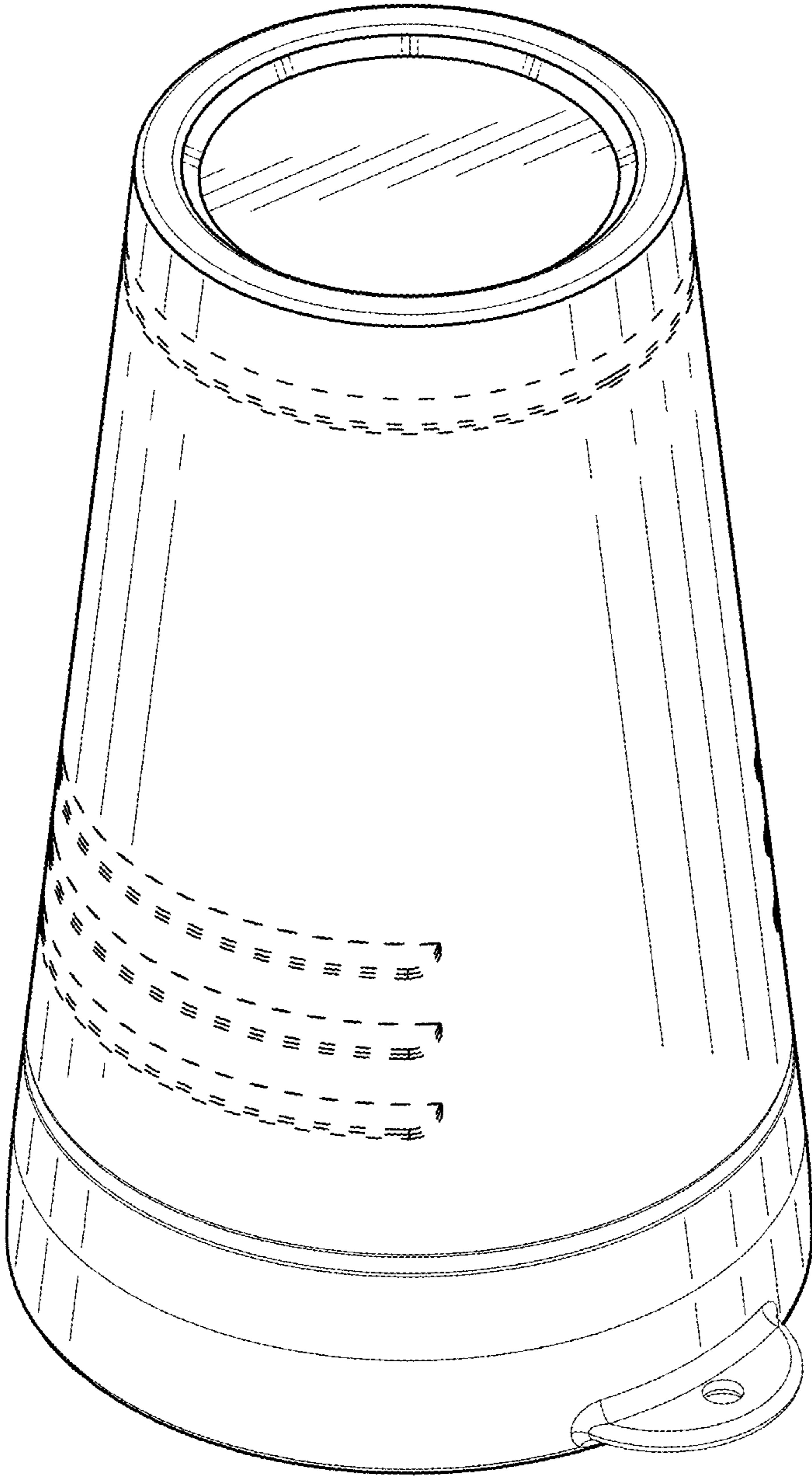


Fig. 2

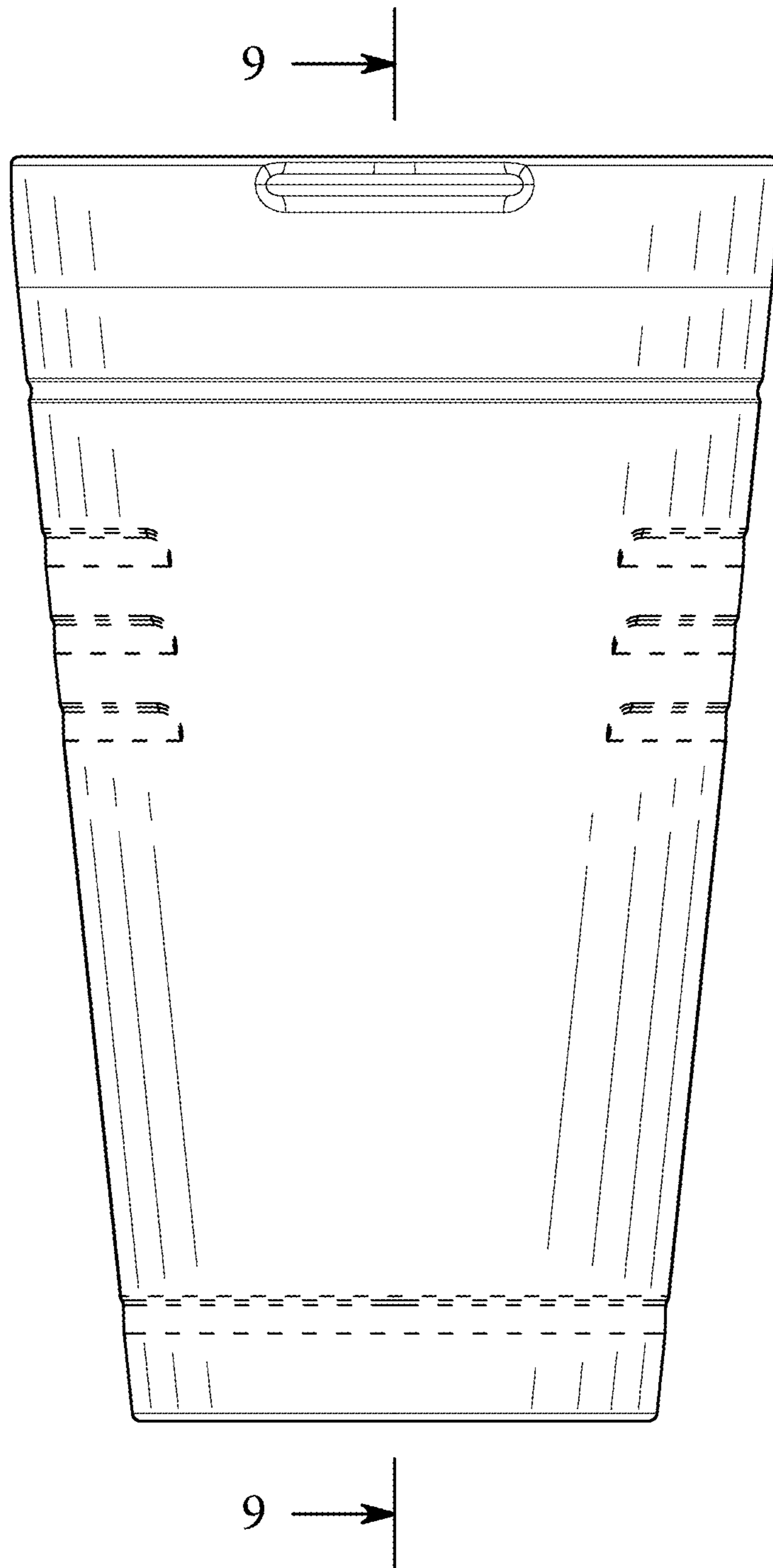


Fig. 3

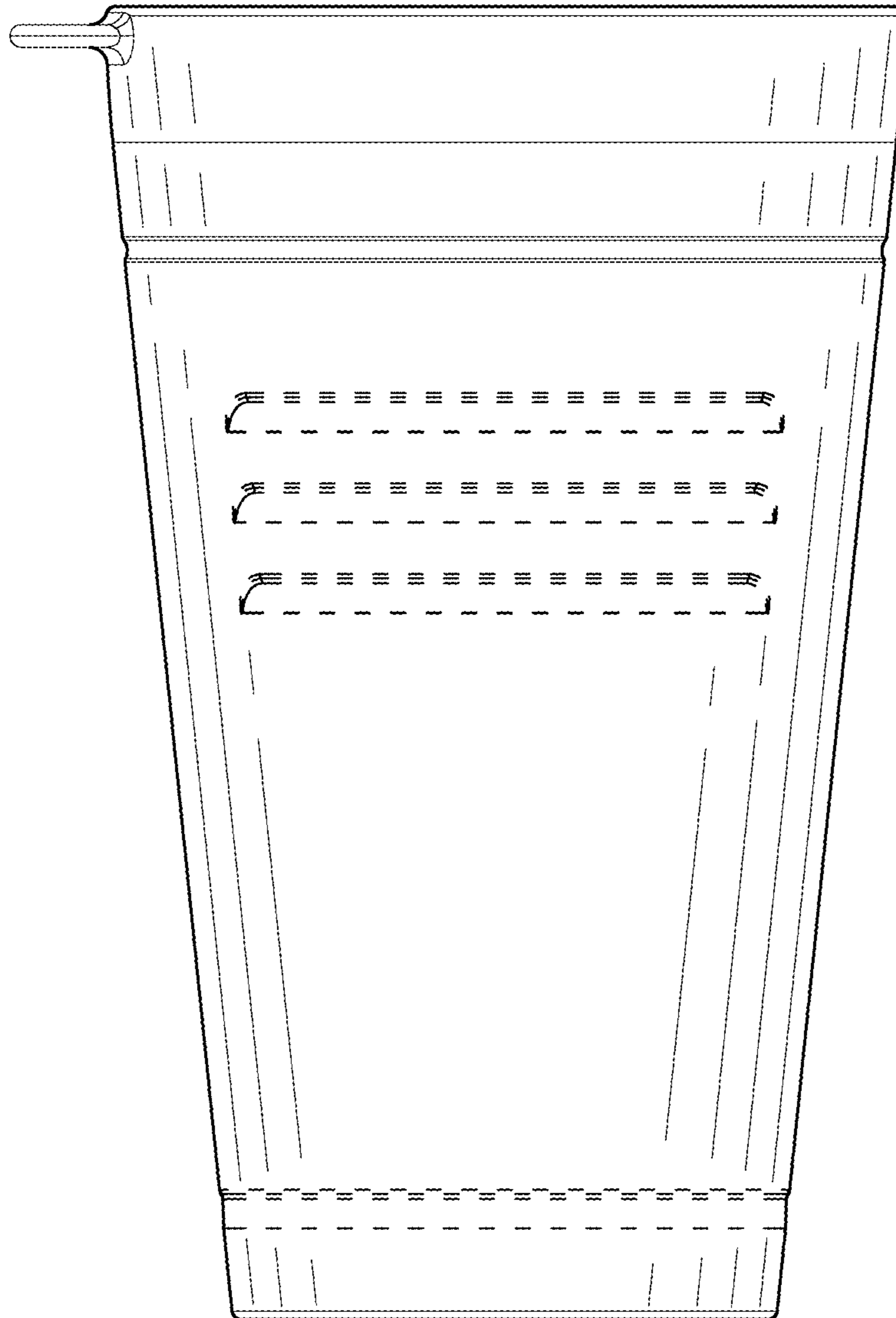


Fig. 4

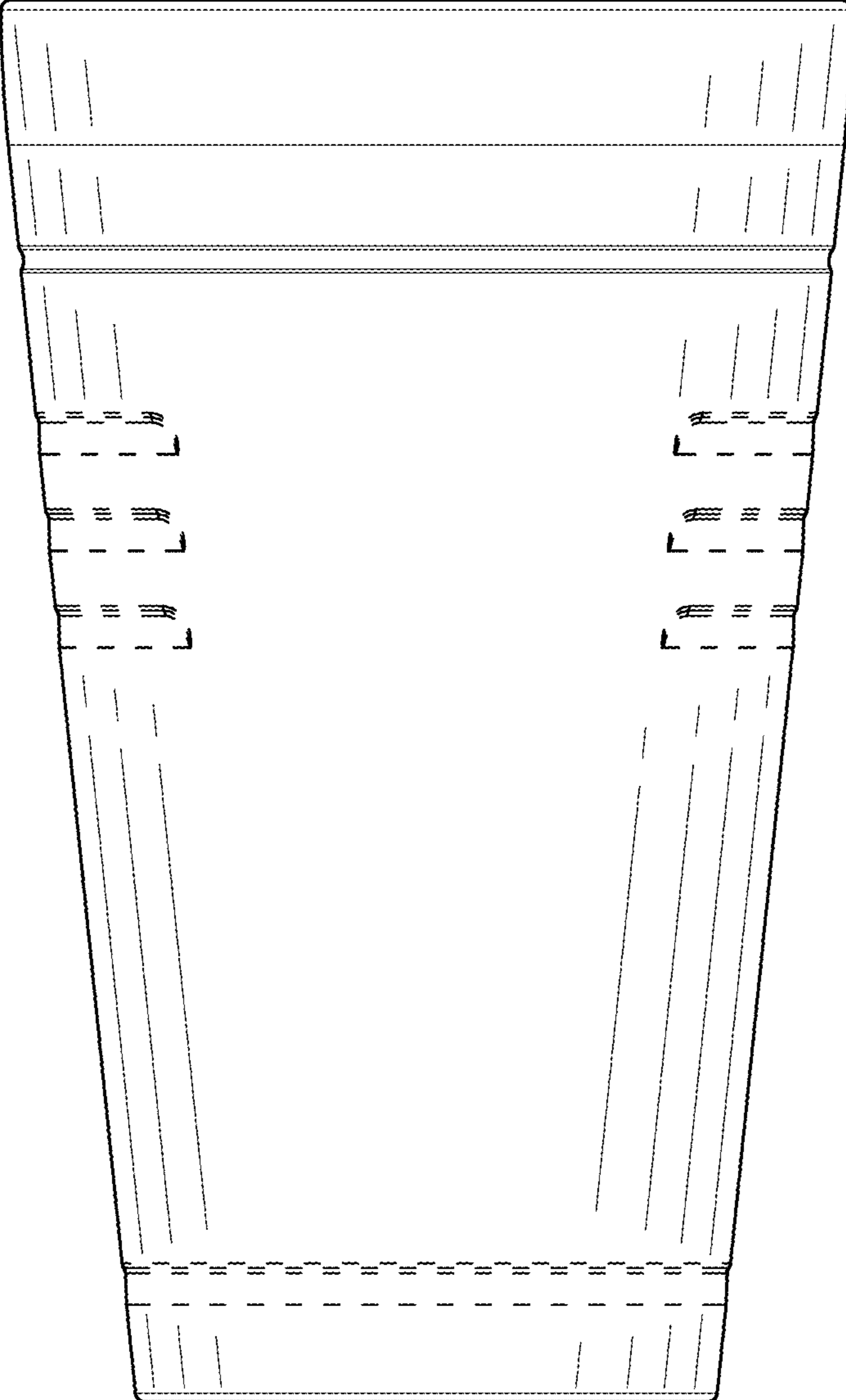


Fig. 5

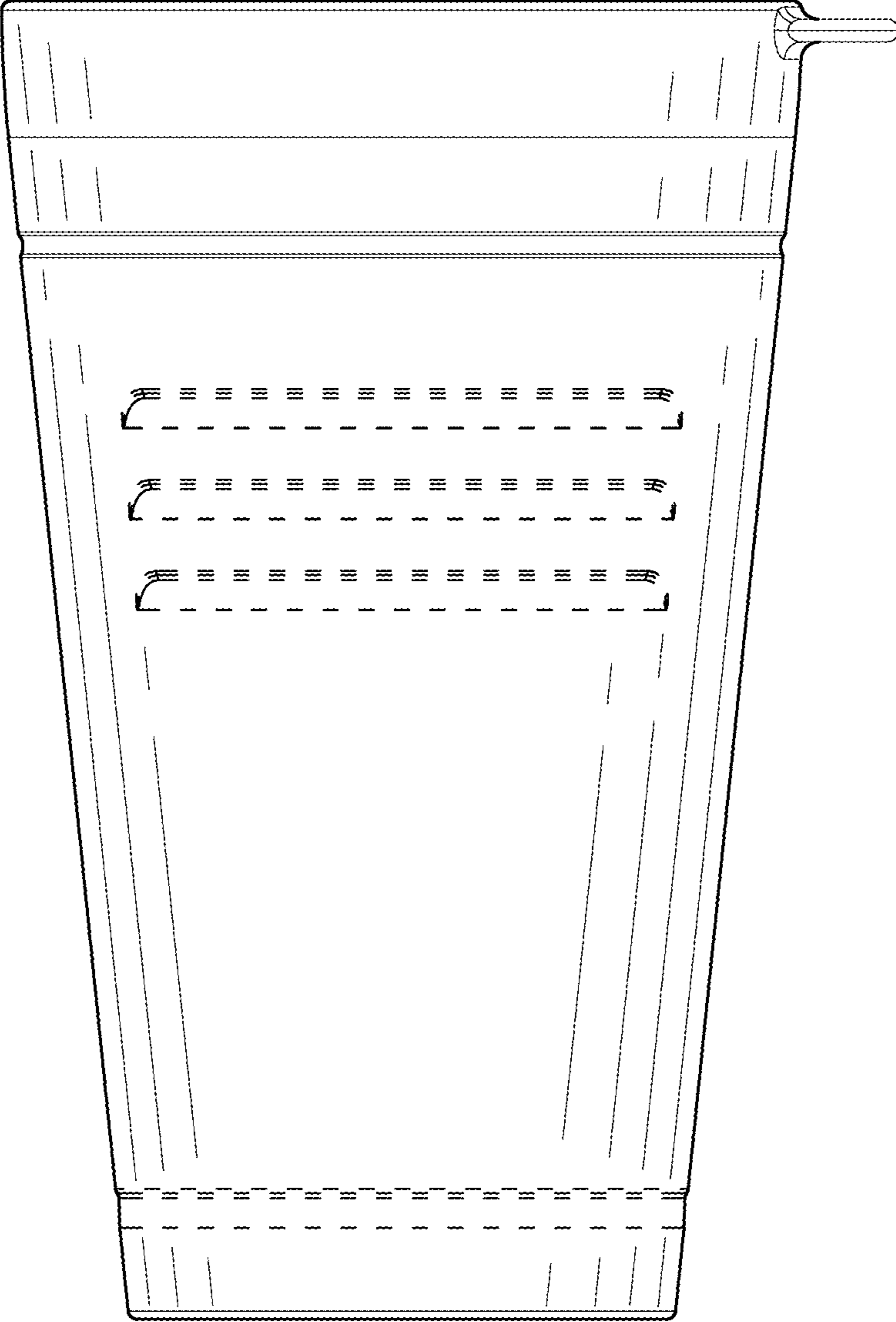


Fig. 6



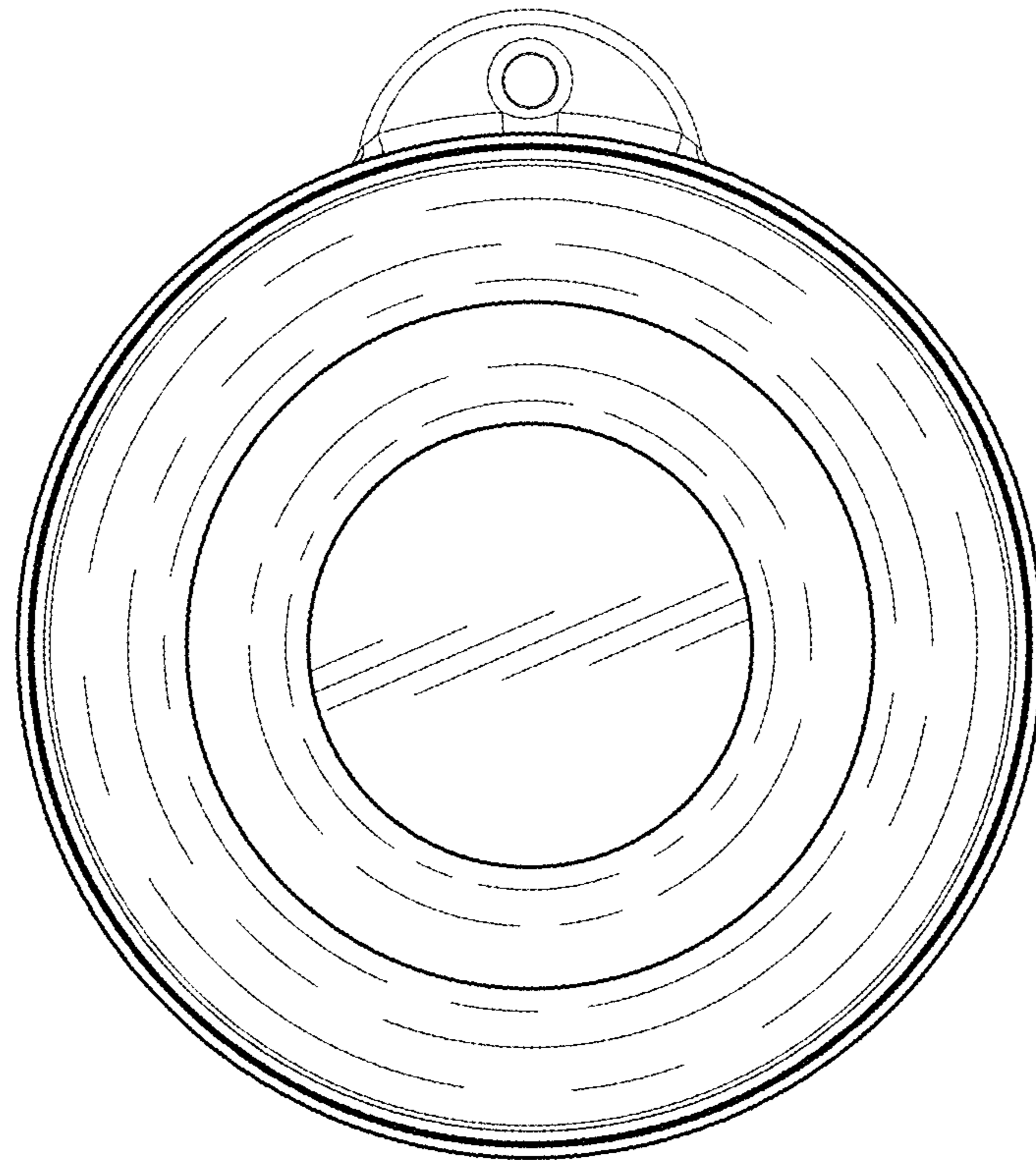


Fig. 7

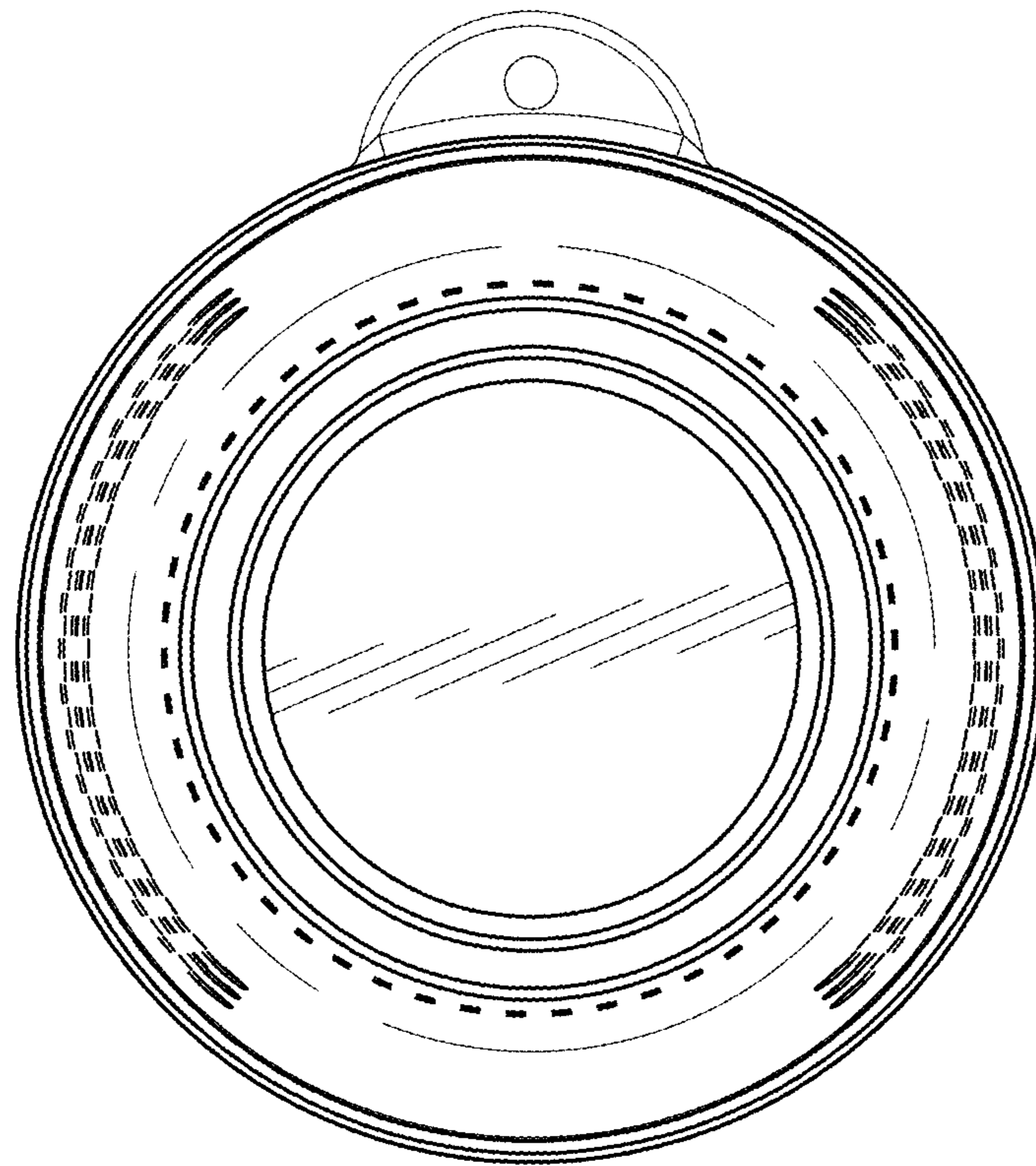


Fig. 8

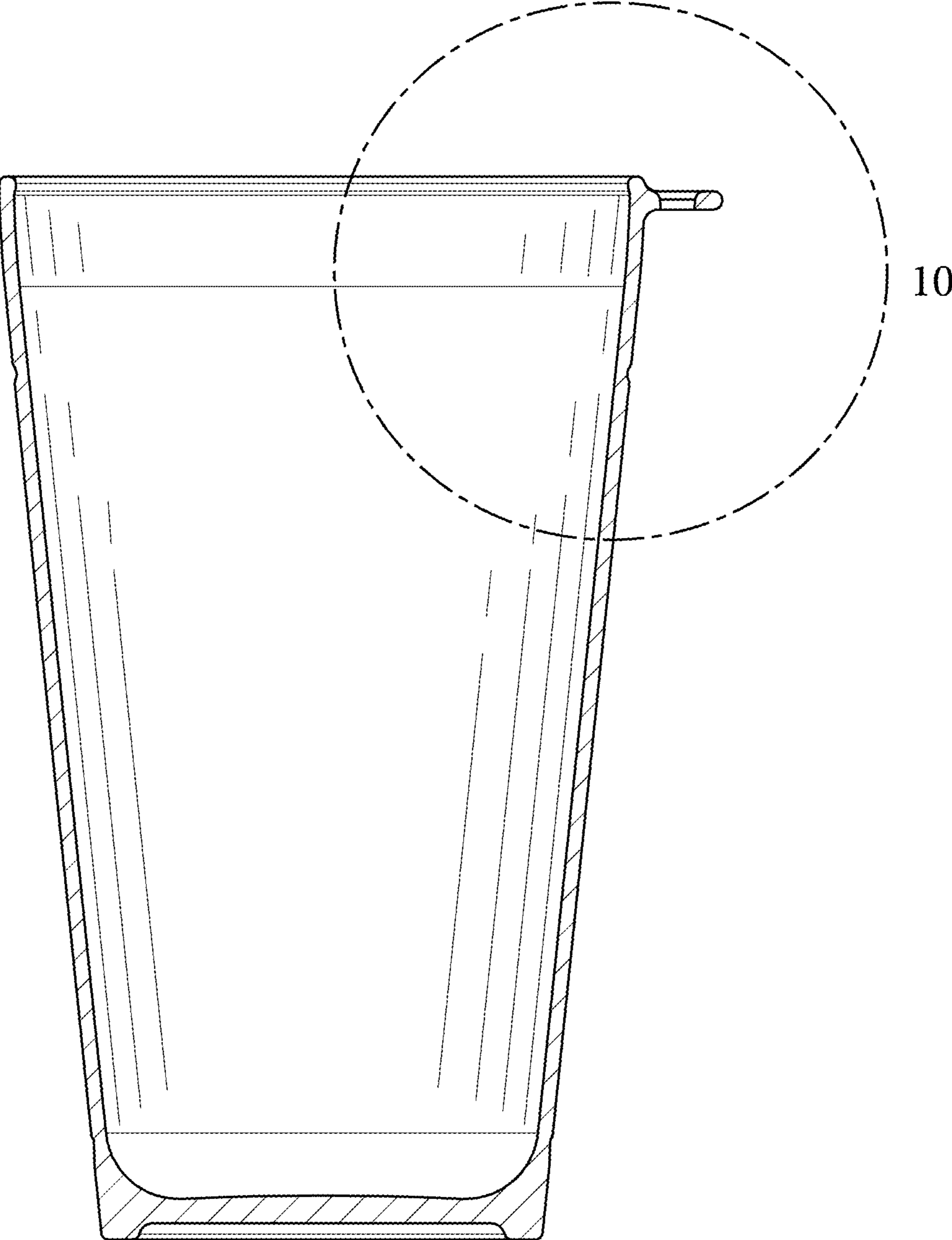


Fig. 9

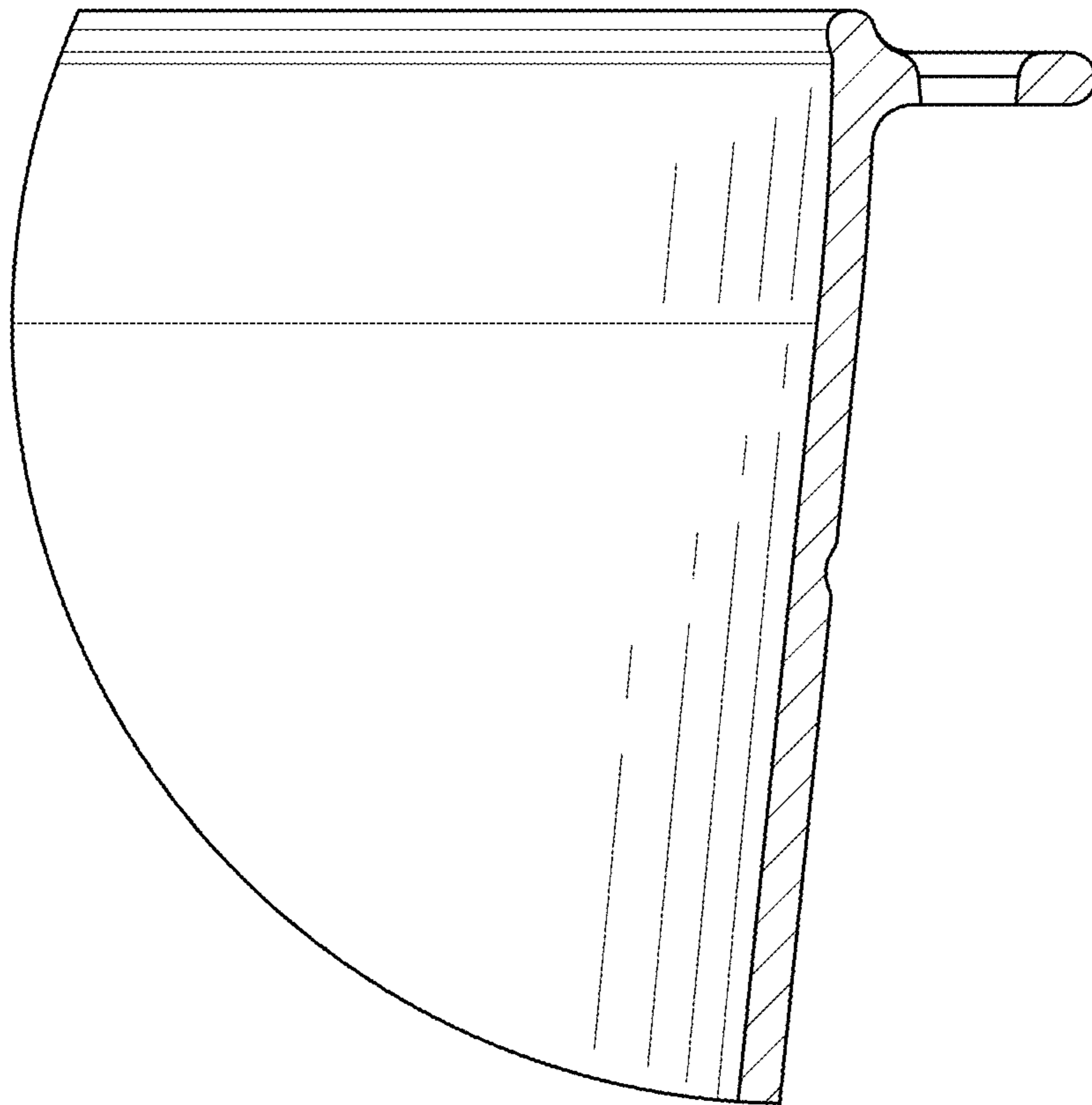


Fig. 10

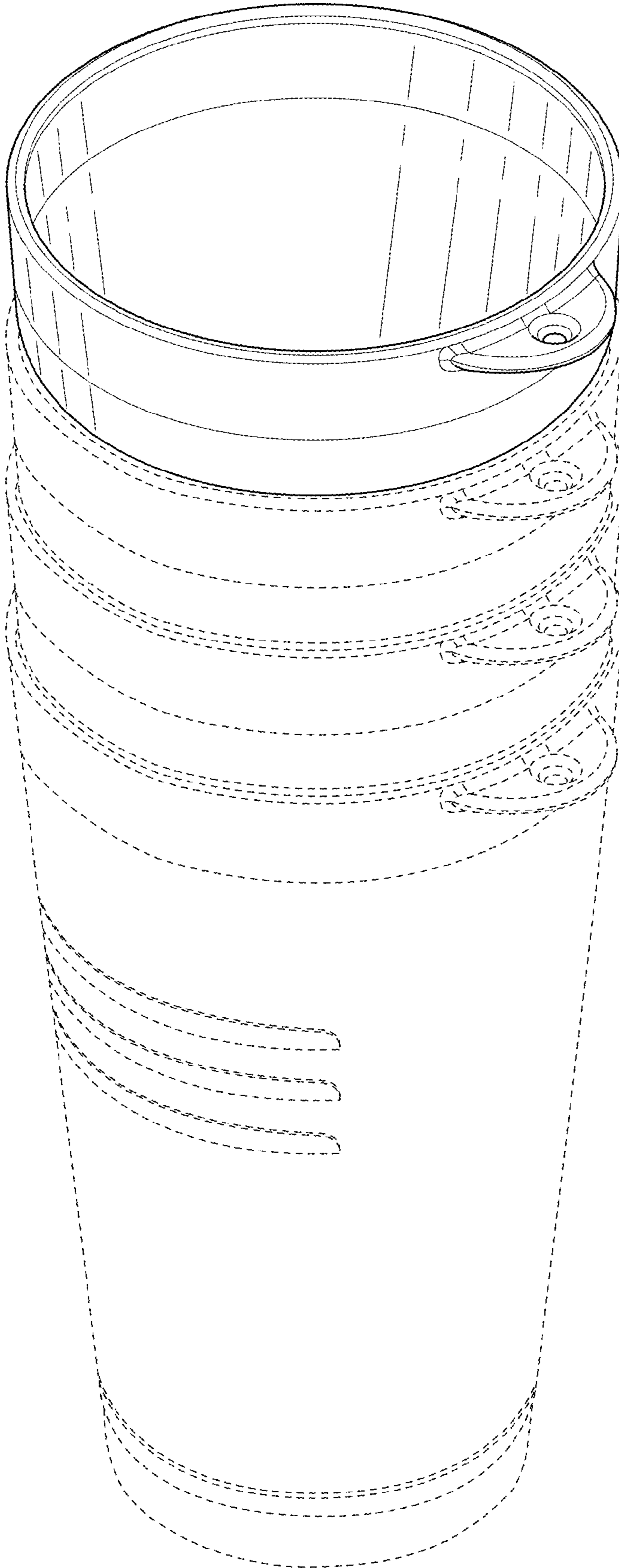


FIG. 11

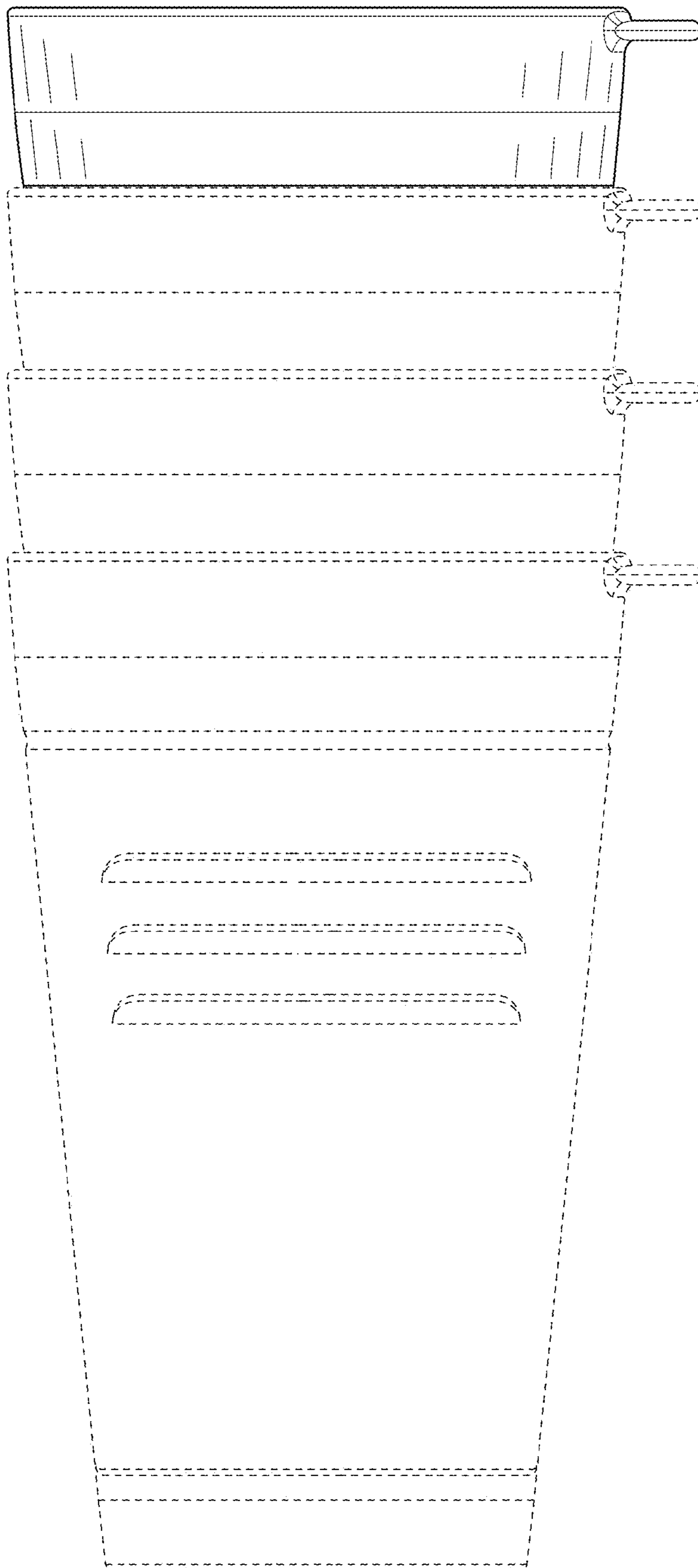


FIG. 12