



US00D873619S

(12) **United States Design Patent** (10) **Patent No.:** **US D873,619 S**  
**Shapiro et al.** (45) **Date of Patent:** **\*\* Jan. 28, 2020**

(54) **BOTTLE**

(71) Applicants: **Steven Earl Shapiro**, Santa Monica, CA (US); **Peter David Dalton**, Los Angeles, CA (US); **Reuben Jackson**, Hacienda Heights, CA (US)

(72) Inventors: **Steven Earl Shapiro**, Santa Monica, CA (US); **Peter David Dalton**, Los Angeles, CA (US); **Reuben Jackson**, Hacienda Heights, CA (US)

(73) Assignee: **Sun Coast Merchandise Corp.**, Commerce, CA (US)

(\*\*) Term: **15 Years**

(21) Appl. No.: **29/631,269**

(22) Filed: **Dec. 28, 2017**

**Related U.S. Application Data**

(63) Continuation-in-part of application No. 29/611,195, filed on Jul. 19, 2017, now Pat. No. Des. 828,094.

(51) **LOC (12) Cl.** ..... **07-01**

(52) **U.S. Cl.**  
USPC ..... **D7/532; D7/523; D7/510; D7/511; D9/569**

(58) **Field of Classification Search**  
USPC ..... D7/507, 509, 510, 511, 529, 531, 532, D7/523, 533, 534, 535, 536, 392.1, 296.1, D7/396.2, 387, 300.1, 591, 688, 665; D9/500, 50, 502, 503, 504, 516, 556, 569, D9/542, 530, 531; D3/202  
CPC ..... A47G 19/22; A47G 19/2288; A47G 19/2205; A47G 19/2227; B65D 1/265; A47J 43/27; A45F 3/16

See application file for complete search history.

(56) **References Cited**

**U.S. PATENT DOCUMENTS**

D49,978 S *	12/1916	Altenberg	.....	D7/608
D62,784 S *	7/1923	Marble	.....	D9/557
D113,229 S *	2/1939	Karstadt	.....	D7/608
D272,601 S *	2/1984	Baumer, Jr.	.....	D9/502
D539,607 S *	4/2007	Lapsker	.....	D7/510
D571,152 S *	6/2008	Tien	.....	D7/509
D593,802 S *	6/2009	Baek	.....	D7/509
8,474,648 B1 *	7/2013	Ritzen	.....	A47J 41/0088 220/212
D724,385 S *	3/2015	Hurley	.....	D7/511
D731,856 S *	6/2015	Hill	.....	A47G 19/2266 D7/532
D756,786 S *	5/2016	Bedoya	.....	D9/502
D775,899 S *	1/2017	Maple	.....	D7/532
D790,920 S *	7/2017	Goodwin	.....	D7/510
D807,177 S *	1/2018	Belinsky	.....	D9/500
D808,731 S *	1/2018	Boroski	.....	D7/608
D819,410 S *	6/2018	Seiders	.....	D7/608
D828,094 S *	9/2018	Jackson	.....	D7/511
D828,095 S *	9/2018	Jackson	.....	D7/511

(Continued)

*Primary Examiner* — Jae Liang

(74) *Attorney, Agent, or Firm* — Steven E. Shapiro

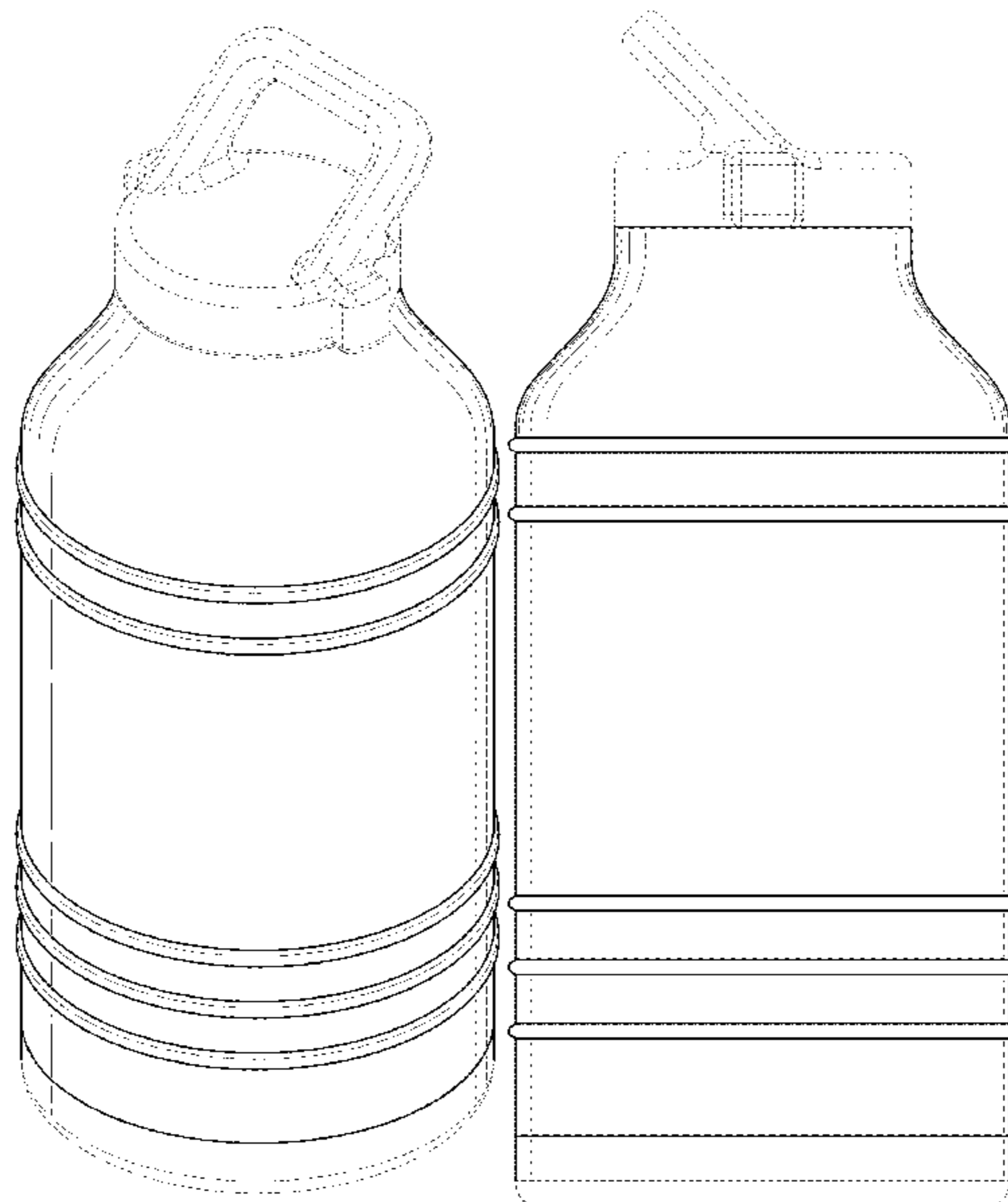
(57) **CLAIM**

The ornamental design for a bottle, as shown and described.

**DESCRIPTION**

FIG. 1 is a top perspective view of a bottle;  
FIG. 2 is a bottom perspective view of a bottle;  
FIG. 3 is a front view of the bottle;  
FIG. 4 is a rear view of the bottle;  
FIG. 5 is a left side view of the bottle;  
FIG. 6 is a right side view of the bottle;  
FIG. 7 is a top view of the bottle; and,  
FIG. 8 is a bottom view of the bottle.  
The broken lines represent portions of the bottle that form no part of the claimed design.

**1 Claim, 8 Drawing Sheets**



(56)

**References Cited**

U.S. PATENT DOCUMENTS

D852,001 S \* 6/2019 Campbell ..... D7/608  
D858,287 S \* 9/2019 Hines ..... D9/500  
2016/0213177 A1\* 7/2016 Maple ..... A47G 19/2227

\* cited by examiner

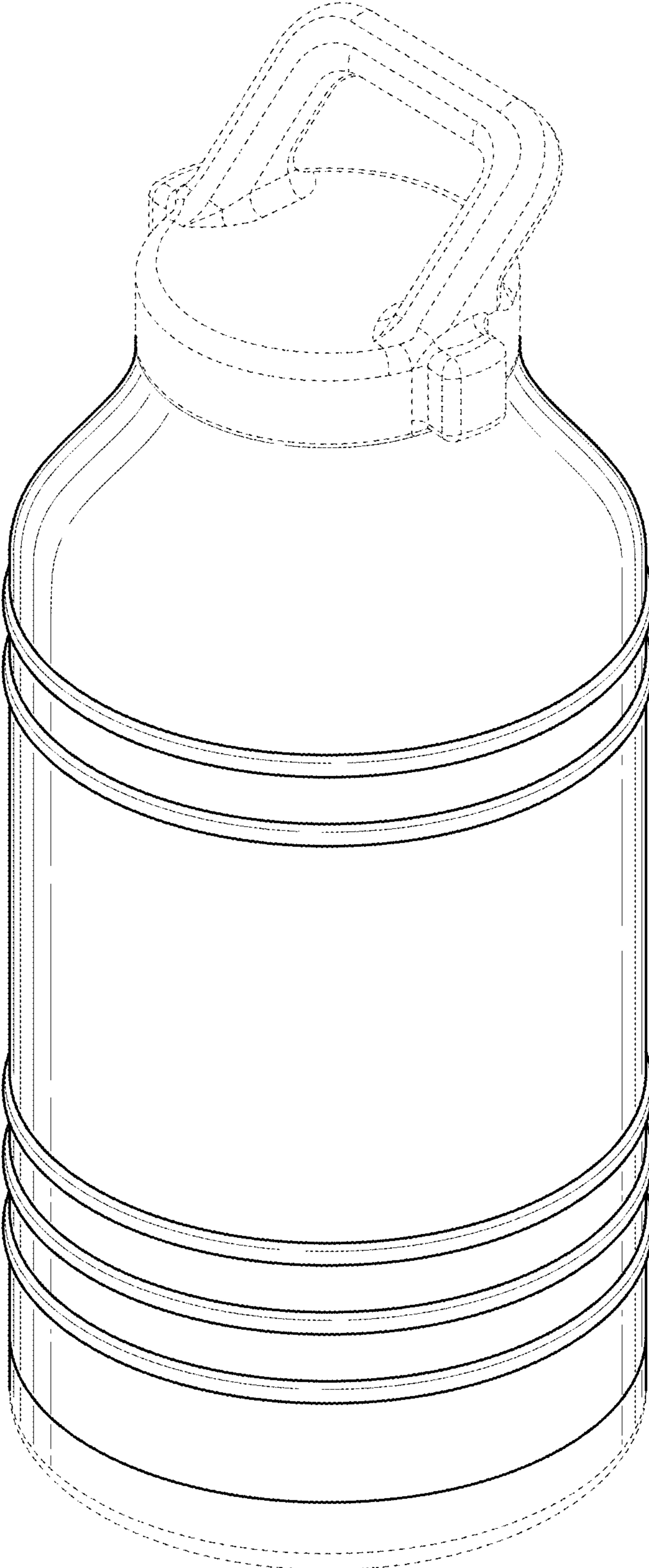


FIG. 1

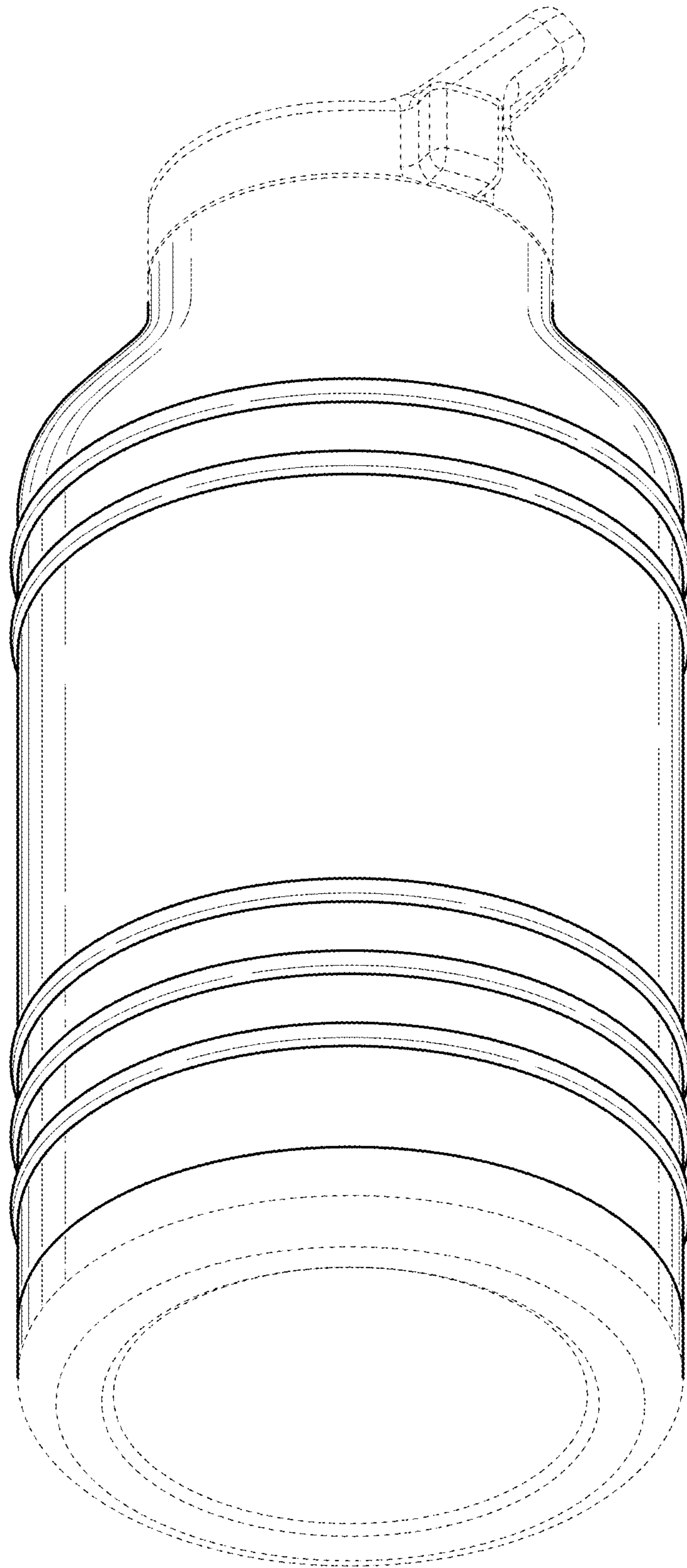


FIG. 2

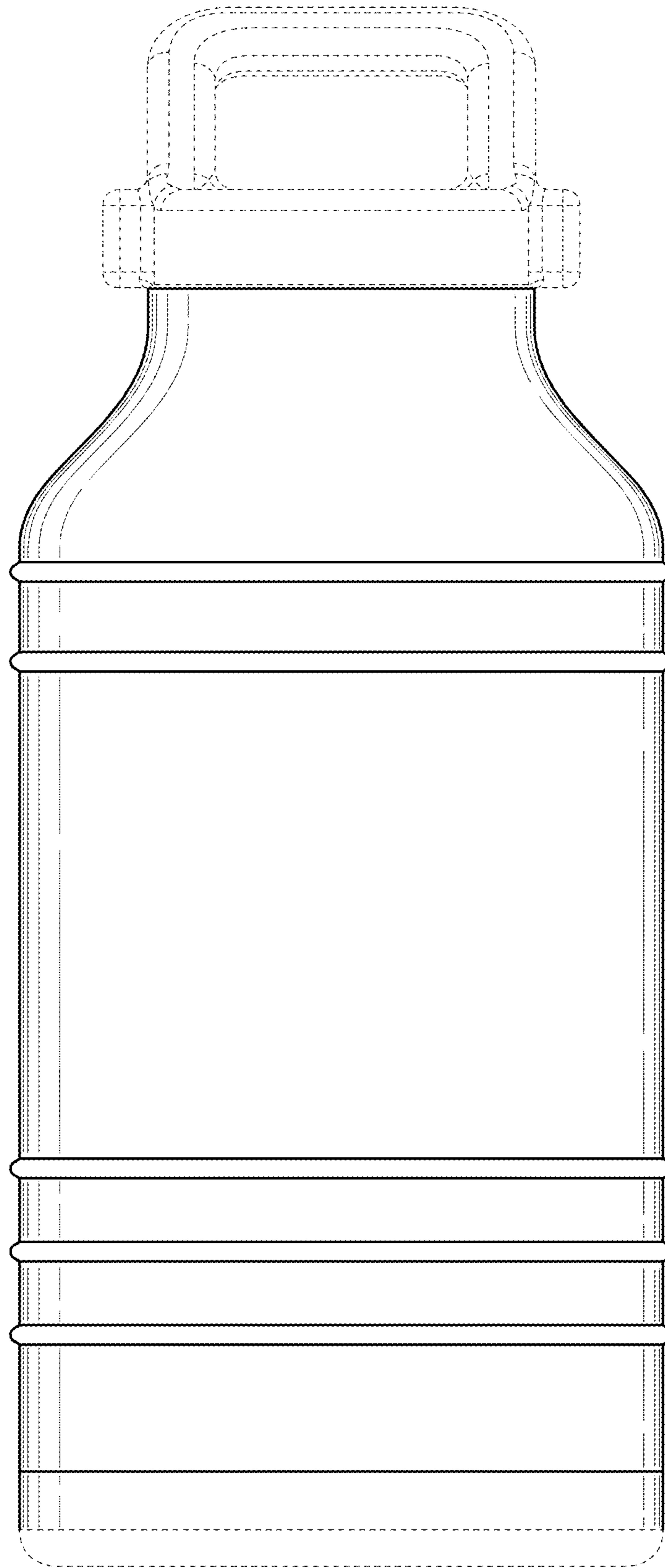


FIG. 3

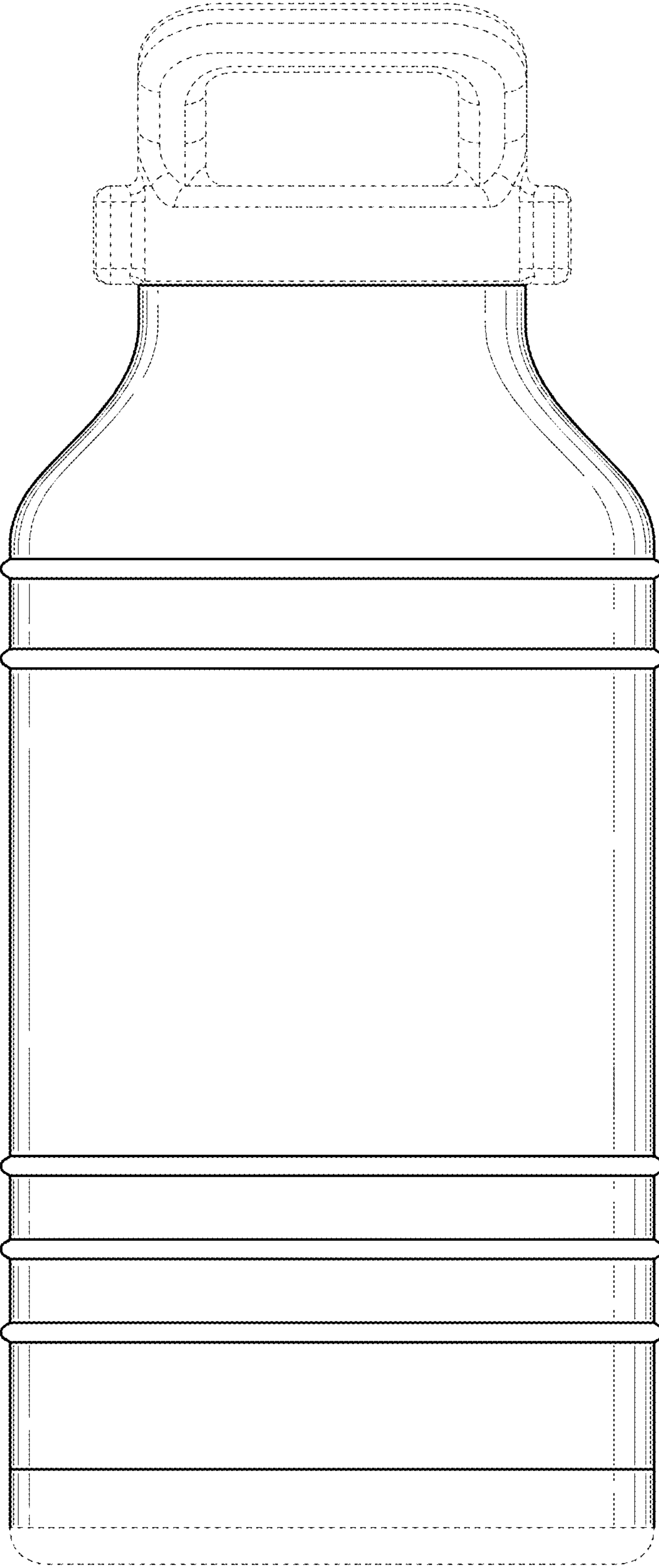


FIG. 4

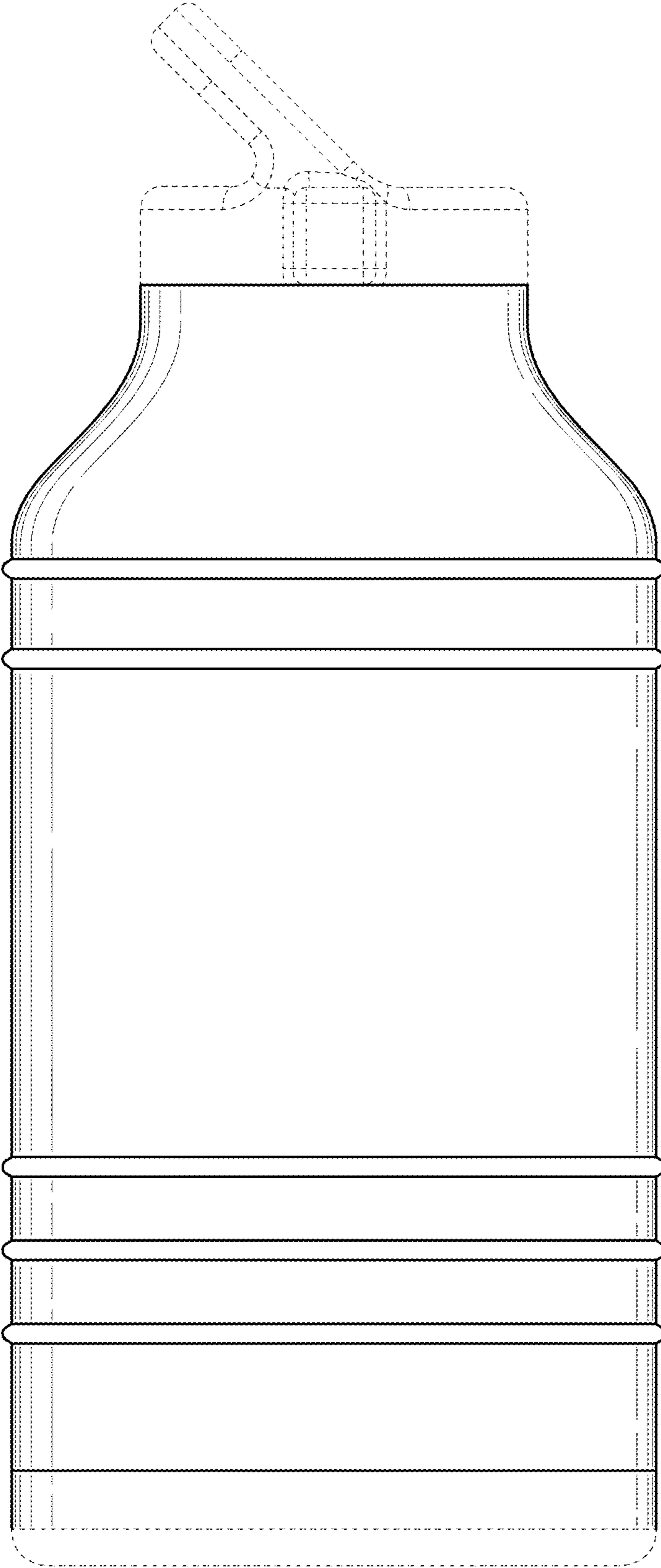


FIG. 5

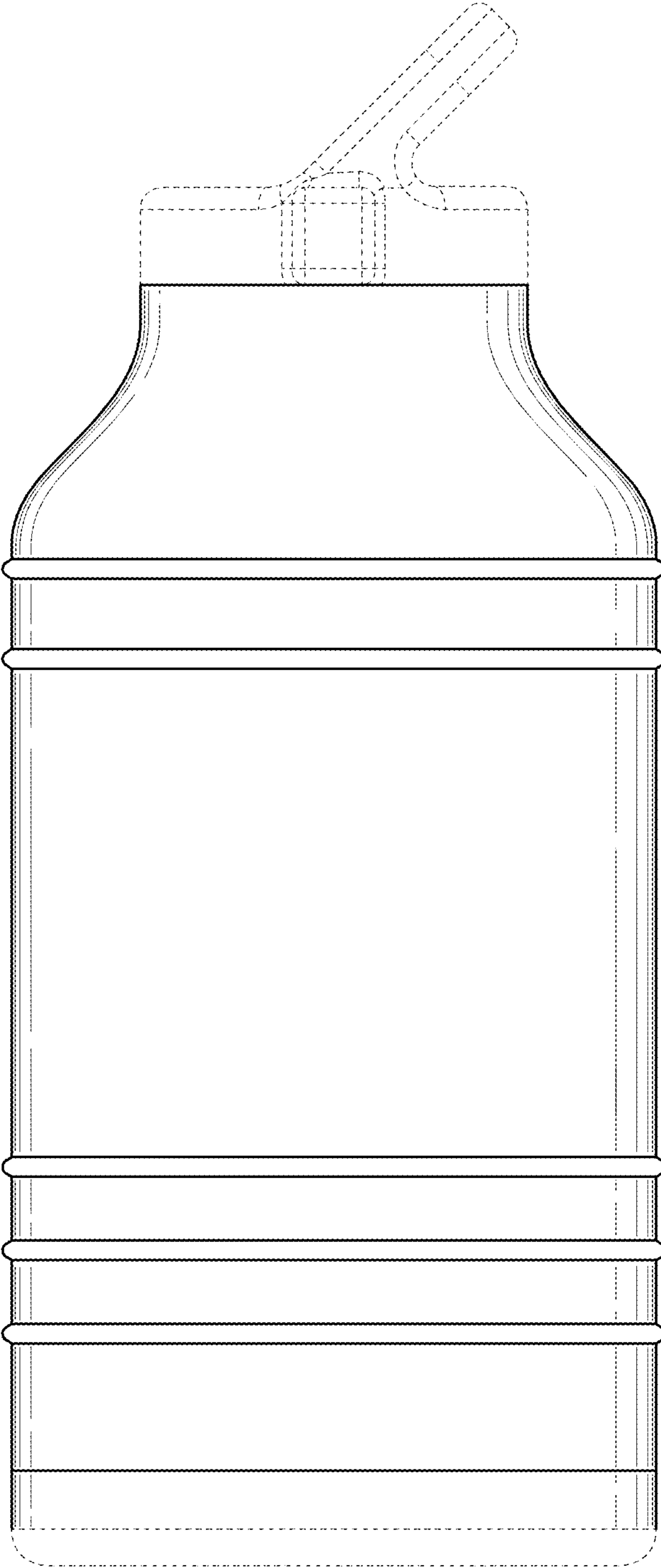


FIG. 6



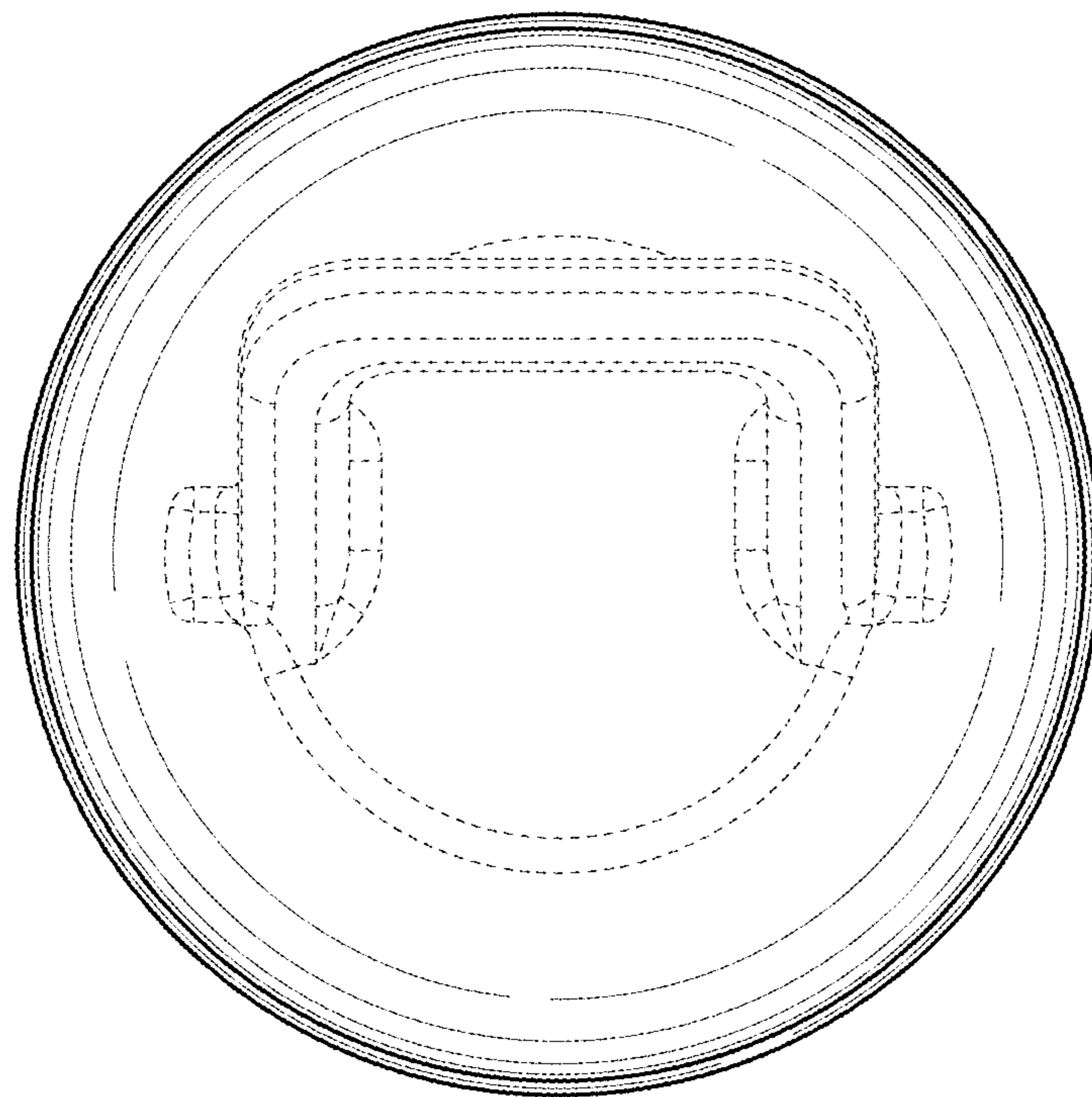


FIG. 7

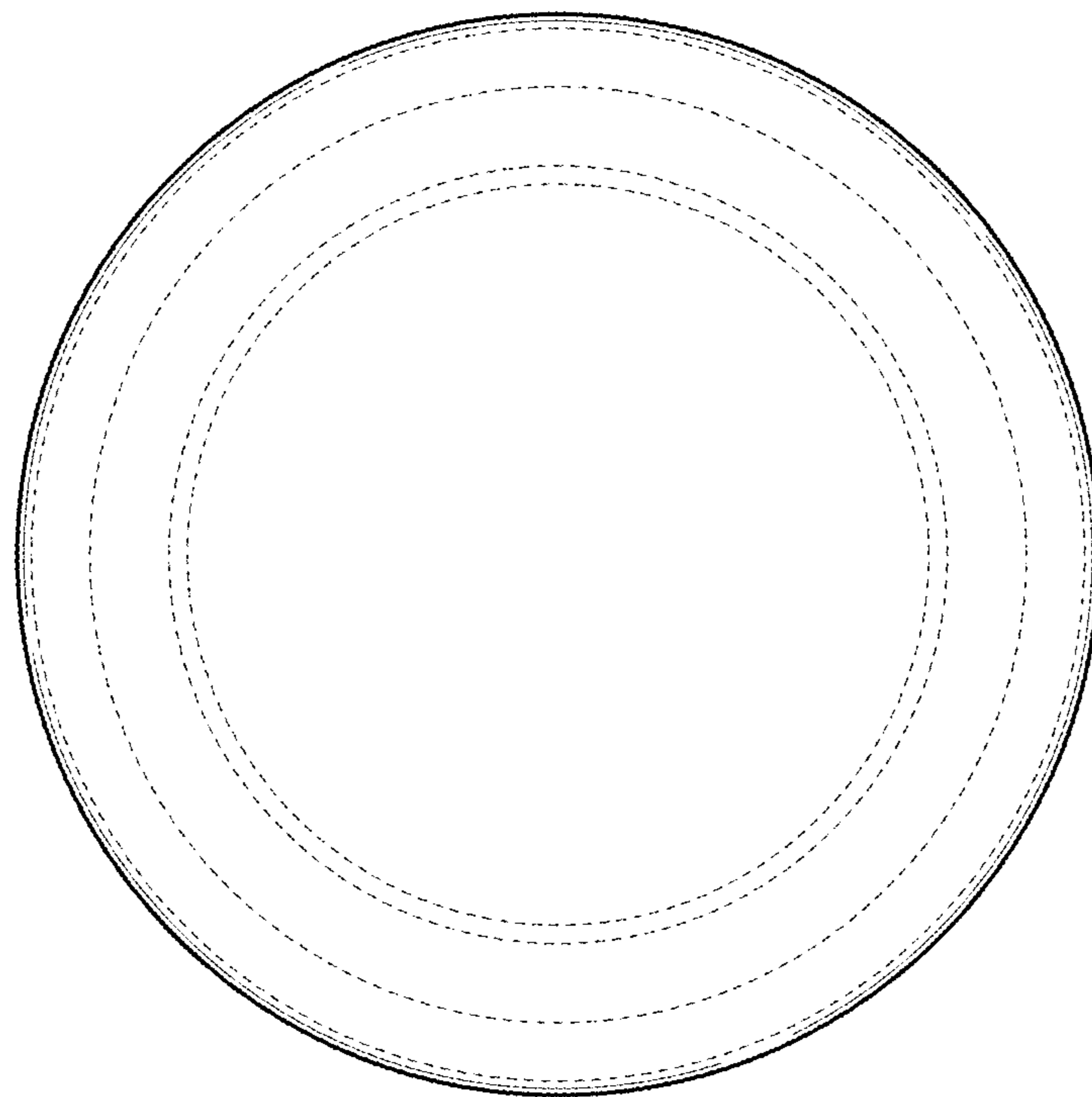


FIG. 8