



US00D873618S

(12) **United States Design Patent** (10) **Patent No.:** **US D873,618 S**
Hewitt et al. (45) **Date of Patent:** **** Jan. 28, 2020**

(54) **BEVERAGE CONTAINER**
(71) Applicant: **Corkcicle LLC**, Orlando, FL (US)
(72) Inventors: **Benjamin R. Hewitt**, Orlando, FL (US); **Stephen Bruner**, Orlando, FL (US)
(73) Assignee: **Corkcicle, LLC**, Orlando, FL (US)
(**) Term: **15 Years**
(21) Appl. No.: **29/693,602**
(22) Filed: **Jun. 4, 2019**

D340,385 S 10/1993 Durand
D356,542 S 3/1995 Finkiewicz et al.
D376,729 S 12/1996 Maki
D411,414 S 6/1999 Berger
D442,736 S 5/2001 McGilvray
D483,982 S * 12/2003 Irvine D7/300.1
D489,627 S * 5/2004 Klitsner D7/300.1
D493,327 S * 7/2004 Marsden D7/300.1
D499,342 S * 12/2004 Klitsner D7/300.1
D536,579 S * 2/2007 Roth B65D 21/0204
D7/523
D565,353 S * 4/2008 Roth D7/510
D576,495 S * 9/2008 Slubski D9/537
D604,984 S * 12/2009 Kalamaras A47J 43/27
D7/300.1
D605,468 S 12/2009 Borrello et al.
D611,819 S * 3/2010 Slubski D9/434

(Continued)

Related U.S. Application Data

(63) Continuation of application No. 29/629,840, filed on Dec. 15, 2017.
(51) **LOC (12) Cl.** **07-01**
(52) **U.S. Cl.**
USPC **D7/531; D7/532**
(58) **Field of Classification Search**
USPC D7/505, 507, 509, 510, 511, 523, 532, D7/608, 300.1, 213, 392.1, 396.2, 387, D7/396.6, 531; D9/500, 501, 502, 503, D9/504, 505, 516, 530; D14/216, 221, D14/204, 209.1, 215, 217, 212
CPC . A47G 19/2205; A47G 19/2272; A47J 43/27; A47J 41/02; A45F 3/16
See application file for complete search history.

Primary Examiner — Jae Liang

(74) *Attorney, Agent, or Firm* — Dickinson Wright, PLLC

(57) **CLAIM**

The ornamental design for a beverage container, as shown and described.

DESCRIPTION

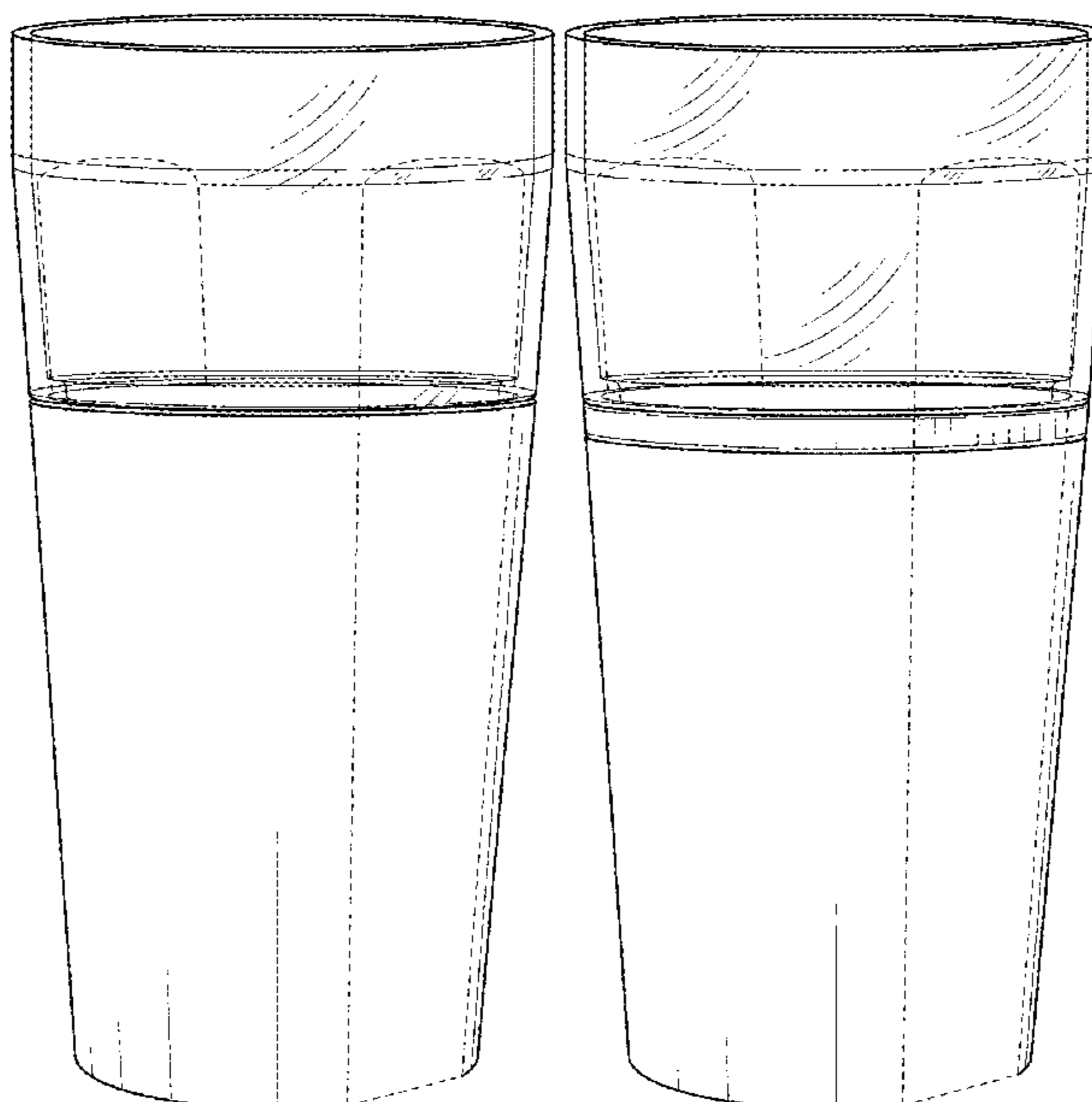
FIG. 1 is a perspective view of a first embodiment of a beverage container showing our new design;
FIG. 2 is a front view thereof;
FIG. 3 is a side view thereof;
FIG. 4 is a top view thereof;
FIG. 5 is a perspective view of a second embodiment of a beverage container.
FIG. 6 is a front view of the beverage container of FIG. 5;
FIG. 7 is a side view of the beverage container of FIG. 5; and,
FIG. 8 is a top view of the beverage container of FIG. 5.
The broken lines in the drawings depict portions of the beverage container that form no part of the claimed design.

(56) **References Cited**

U.S. PATENT DOCUMENTS

2,791,467 A * 5/1957 Leshin A47J 43/27
215/6
D224,701 S 9/1972 Wright
D279,763 S 7/1985 Hestehave et al.
D282,232 S 1/1986 Bussell

1 Claim, 4 Drawing Sheets



(56)

References Cited

U.S. PATENT DOCUMENTS

D617,942	S	6/2010	LoRe	
D623,016	S	9/2010	Borrello et al.	
D623,460	S *	9/2010	Krasner	D30/132
D631,700	S	2/2011	Flick	
D646,926	S	10/2011	Willat et al.	
D653,546	S *	2/2012	Ring	D9/516
D654,318	S	2/2012	O'Neill	
D663,163	S	7/2012	Dick et al.	
D664,397	S	7/2012	Franco	
D714,646	S	10/2014	Libman et al.	
D721,541	S	1/2015	Evans	
D727,688	S	4/2015	Hewitt et al.	
D755,568	S	5/2016	Lee	
D756,716	S *	5/2016	Hewitt	D7/608
D767,090	S	9/2016	Zimak	
D767,930	S *	10/2016	Gamelli	D7/300.1
D769,043	S *	10/2016	Gamelli	D7/300.1
D772,311	S	11/2016	Bricker et al.	
D778,095	S *	2/2017	Gamelli	D7/300.1
D799,274	S	10/2017	Hewitt et al.	
D800,500	S	10/2017	Bricker	
D812,976	S *	3/2018	Schlesinger	D7/510
D825,242	S *	8/2018	Bosheng	D7/300.1
2004/0066705	A1 *	4/2004	Linz	A47J 43/27
				366/130
2013/0126369	A1 *	5/2013	Gamelli	B65D 47/122
				206/217
2016/0166115	A1 *	6/2016	Schlesinger	A47J 43/27
				220/568
2017/0202400	A1 *	7/2017	Choltco-Devlin	A47J 19/022

* cited by examiner

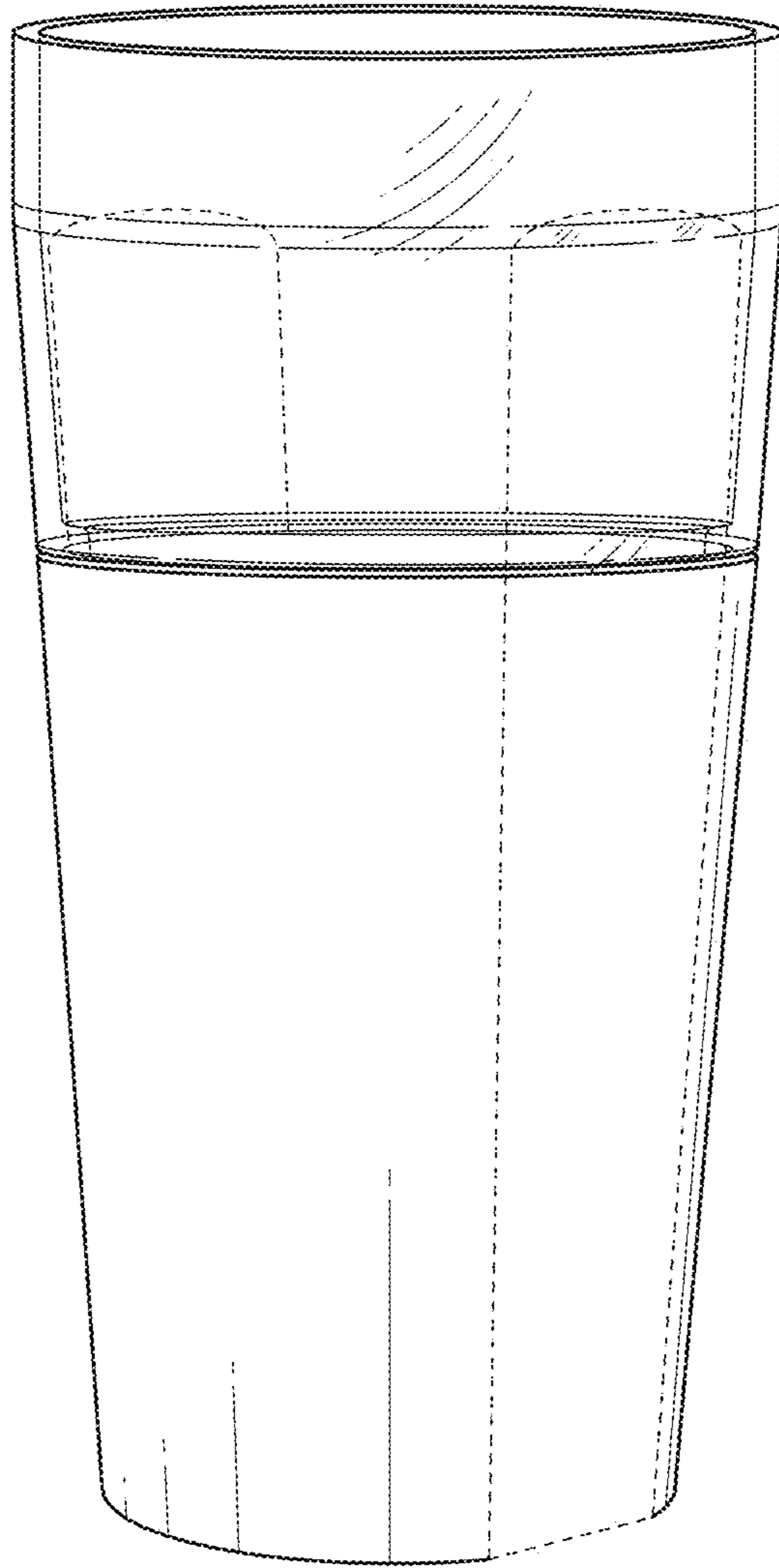


FIG. 1

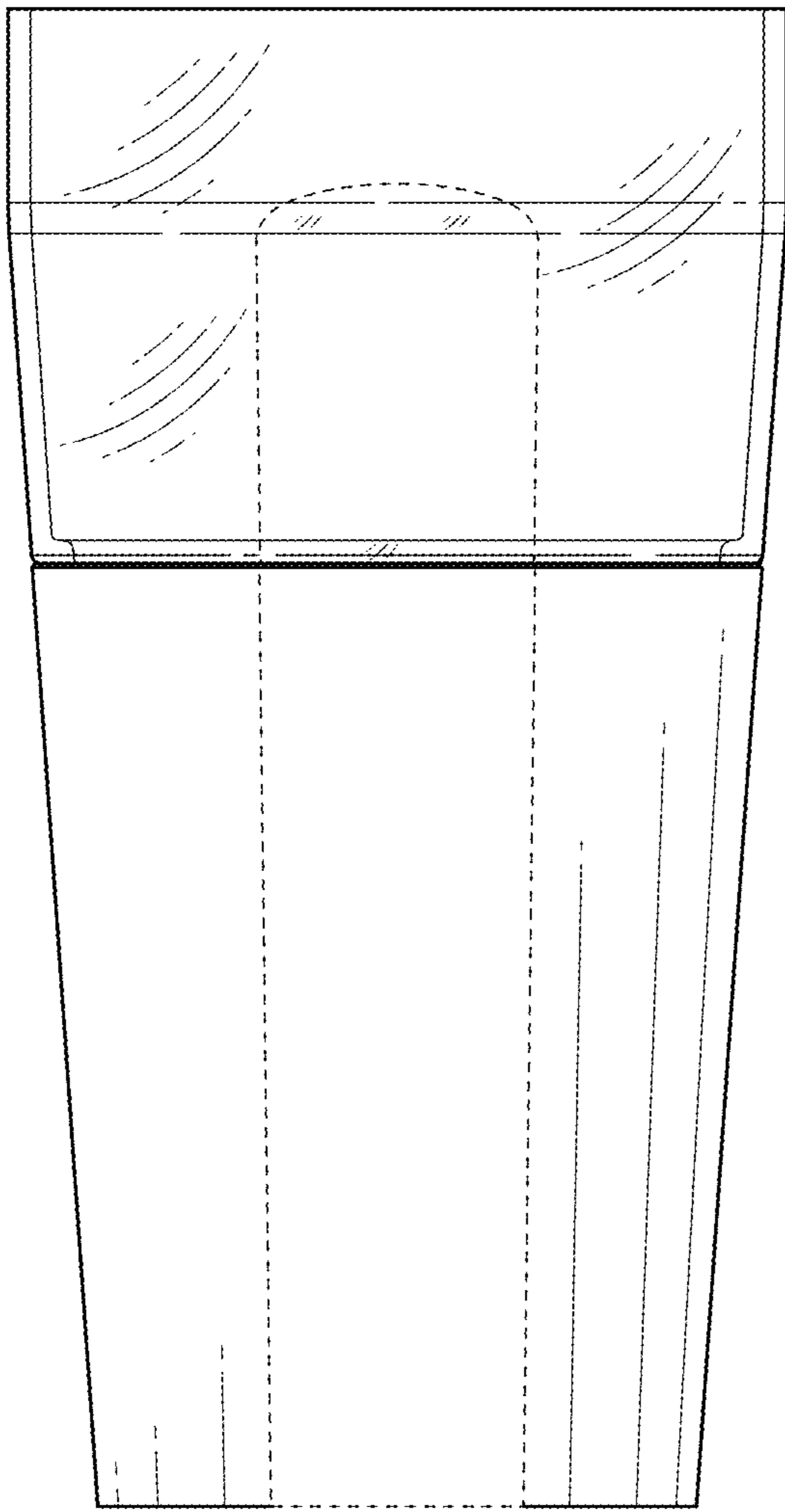


FIG. 2

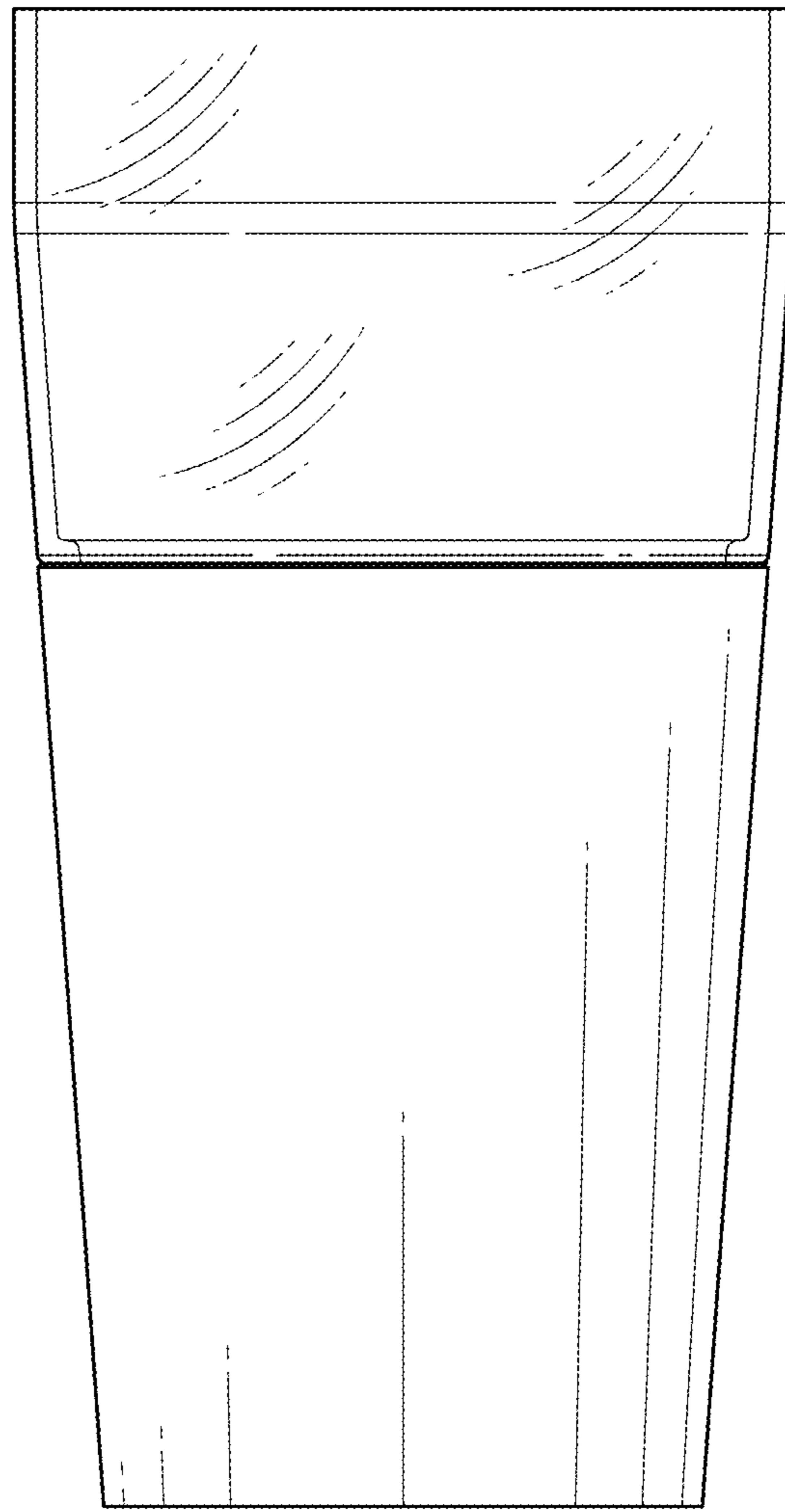


FIG. 3

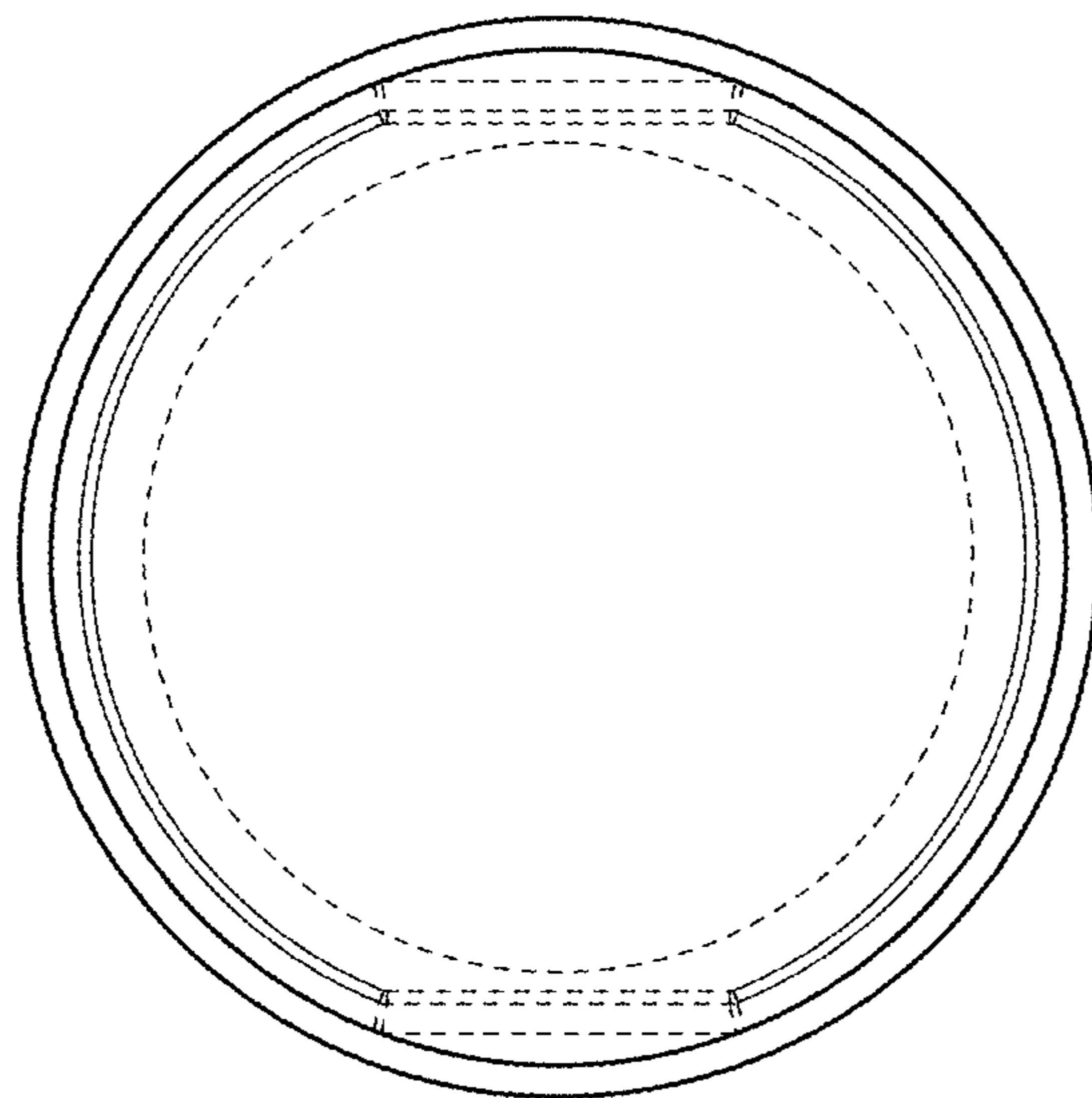


FIG. 4

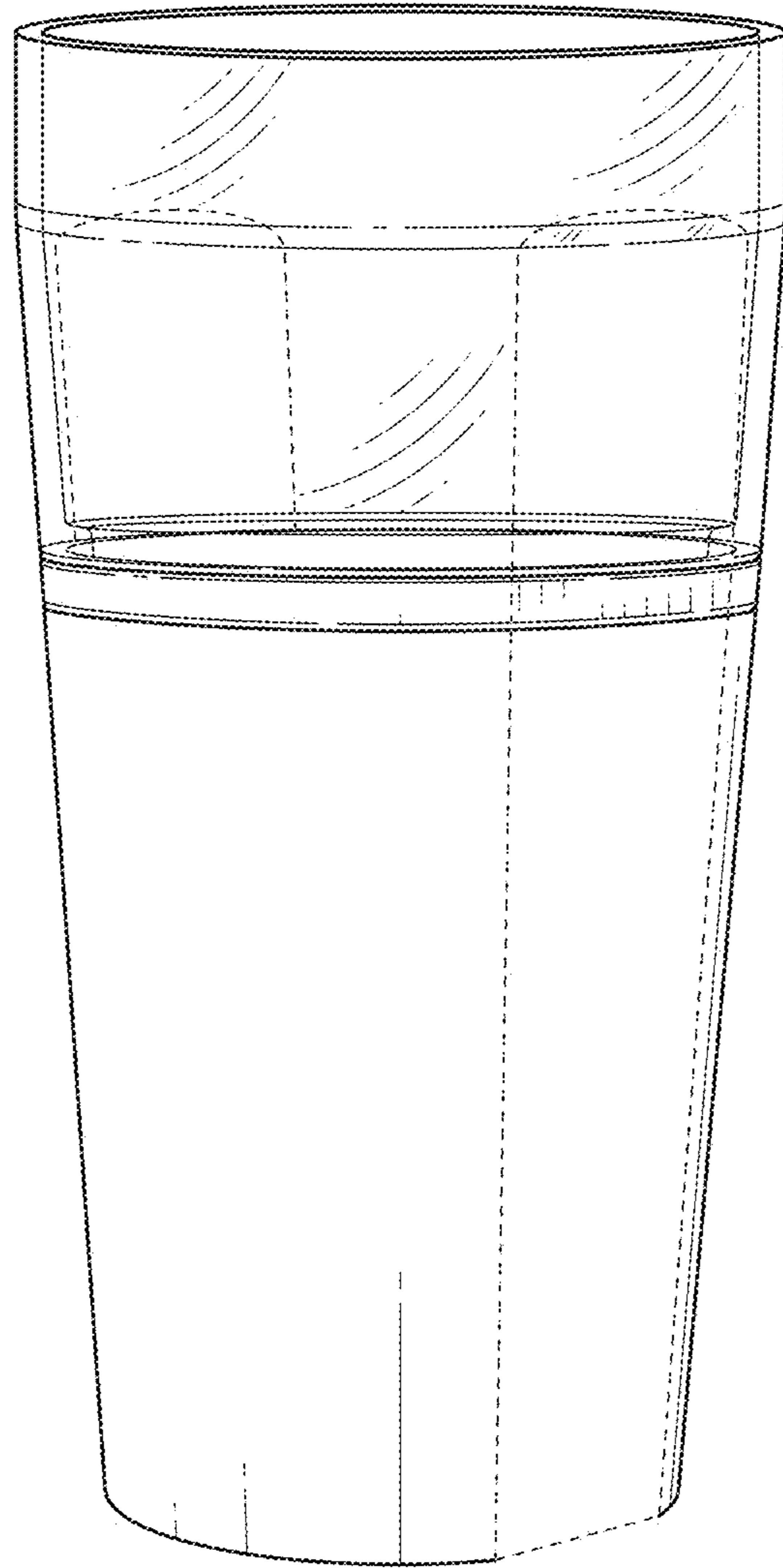


FIG. 5

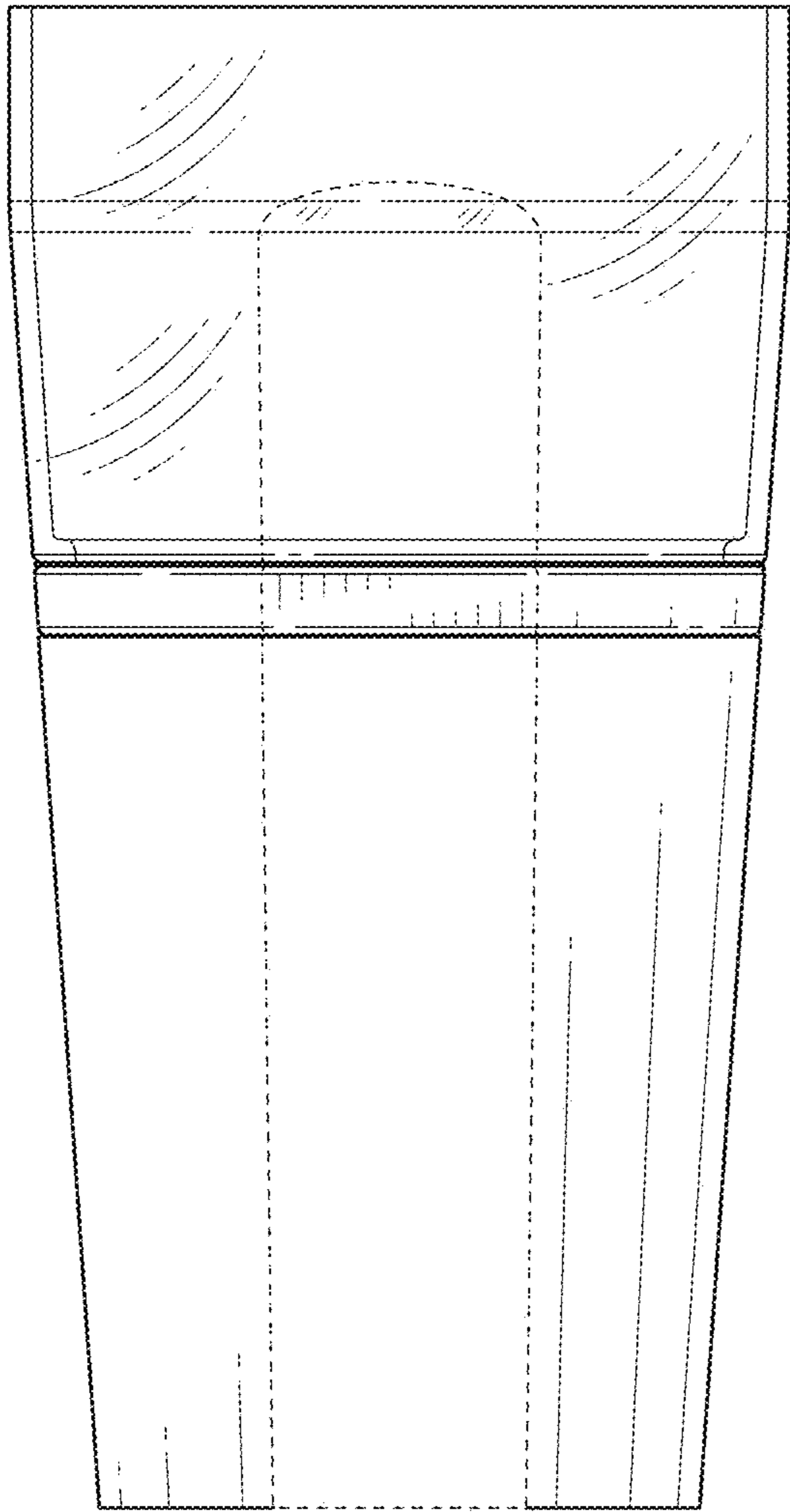


FIG. 6

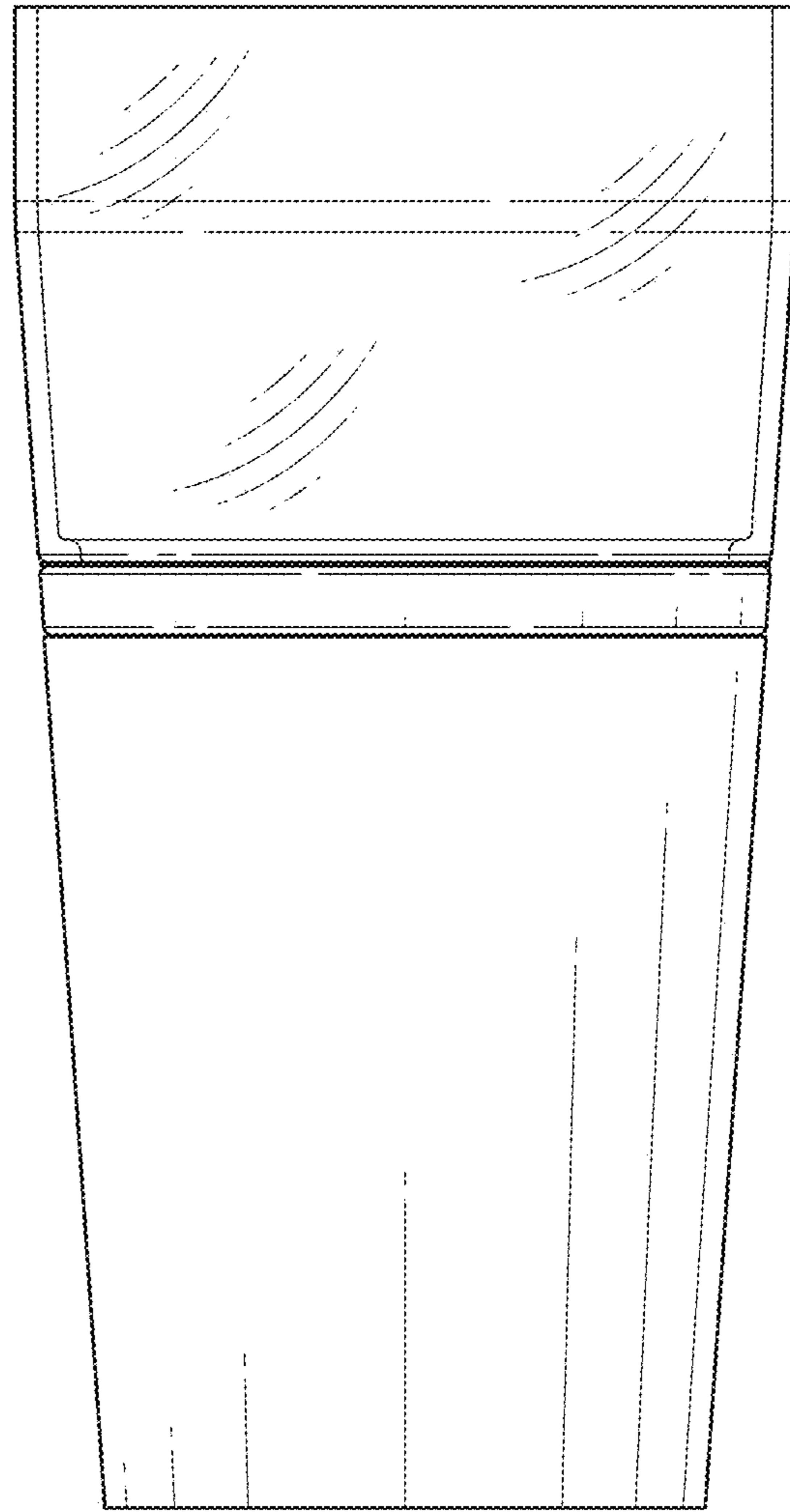


FIG. 7

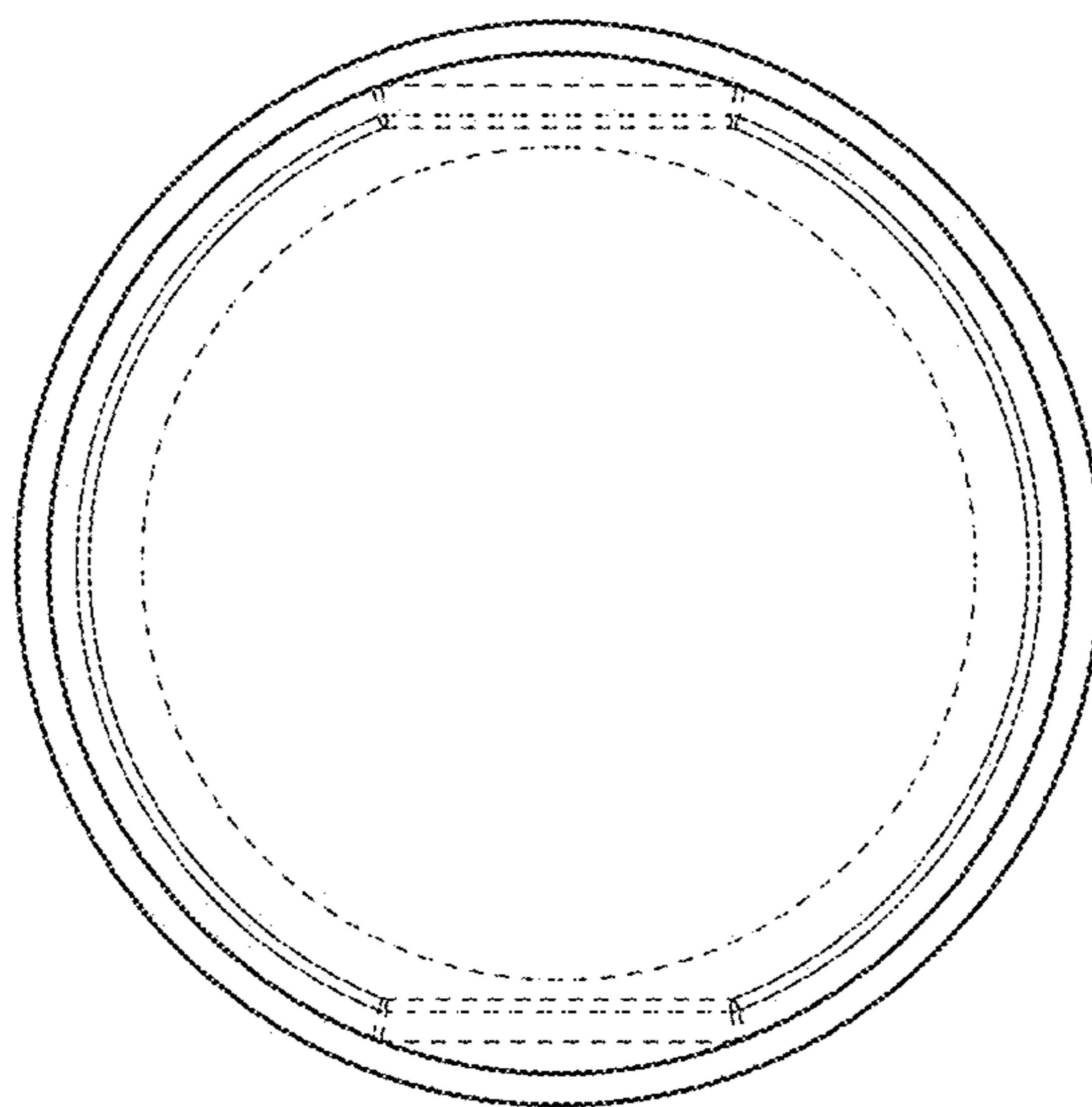


FIG. 8