

US00D873617S

(12) **United States Design Patent**
Egorov et al.

(10) **Patent No.:** **US D873,617 S**
(45) **Date of Patent:** **** Jan. 28, 2020**

- (54) **DRINKING CUP**
- (71) Applicant: **b.box for kids developments Pty Ltd**,
Mulgrave, Victoria (AU)
- (72) Inventors: **Miroslav Egorov**, Mulgrave (AU); **Lisa Edlund Tjernberg**, Mulgrave (AU); **Mayer Jung**, Mulgrave (AU); **Ty Hermans**, Mulgrave (AU)
- (73) Assignee: **B.BOX FOR KIDS DEVELOPMENTS PTY LTD.**,
Mulgrave, Victoria (AU)

- D651,466 S * 1/2012 Forsyth D7/510
- D652,254 S * 1/2012 Dancsecs D7/510
- D692,724 S * 11/2013 Smiedt D7/510
- D721,540 S * 1/2015 Grcic D7/511
- 8,931,654 B2 * 1/2015 Le Masurier A47G 19/2272
220/203.01
- D728,314 S * 5/2015 Carstensen D7/510
- D741,658 S * 10/2015 Dunn A47G 19/2272
D7/510
- D800,506 S * 10/2017 Wu D7/534
- D820,044 S * 6/2018 Jenkins D7/510
- 2014/0008378 A1 * 1/2014 Rinderer B65D 43/0212
220/703
- 2015/0344178 A1 * 12/2015 Szymanski A47G 19/065
206/514

(**) Term: **15 Years**

(21) Appl. No.: **29/672,117**

(22) Filed: **Dec. 3, 2018**

(51) **LOC (12) Cl.** **07-01**

(52) **U.S. Cl.**
USPC **D7/529; D7/510; D7/532**

(58) **Field of Classification Search**
USPC D7/507, 509, 510, 511, 529, 531, 532,
D7/523, 533, 534, 535, 536, 392.1, 296.1,
D7/396.2, 387, 300.1, 591, 688, 665,
D7/624.1, 624.2; D9/500, 50, 502, 503,
D9/504, 516, 556, 569, 542, 530, 531;
D3/202
CPC A47G 19/22; A47G 19/2288; A47G
19/2205; A47G 19/2227; B65D 1/265;
A47J 43/27; A45F 3/16
See application file for complete search history.

(56) **References Cited**

U.S. PATENT DOCUMENTS

- D322,196 S * 12/1991 Ohnuki D7/510
- D404,255 S * 1/1999 Asberg D7/511
- D410,364 S * 6/1999 Ramirez D7/507
- D421,877 S * 3/2000 La Torre D7/510
- D642,472 S * 8/2011 Concin D7/511

(Continued)

Primary Examiner — Jae Liang

(74) *Attorney, Agent, or Firm* — Brooks Kushman P. C.

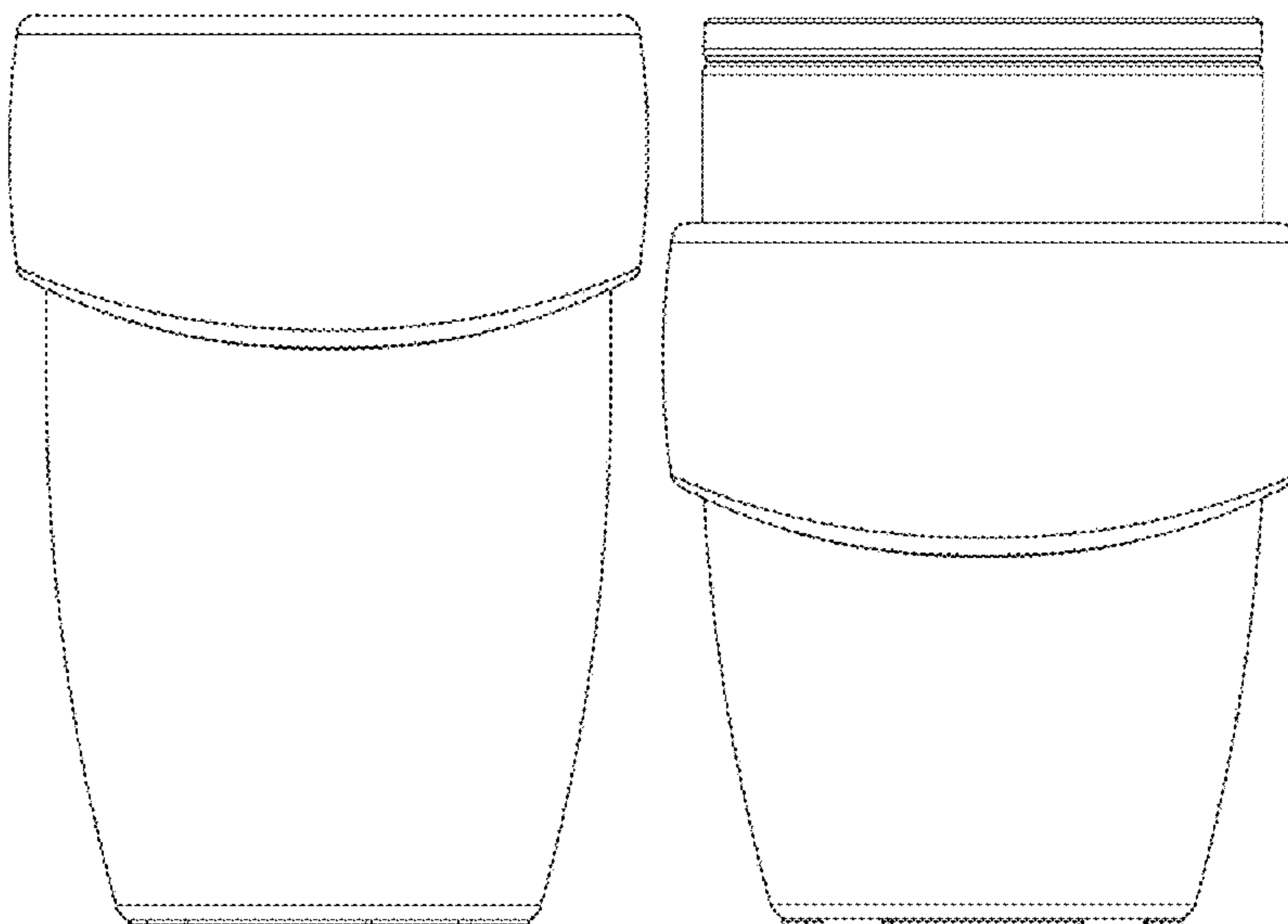
(57) **CLAIM**

The ornamental design for a drinking cup, as shown and described.

DESCRIPTION

FIG. 1 is a front side view of a drinking cup in the closed position;
 FIG. 2 is a front side view of a drinking cup in the open position
 FIG. 3 is a right-side view of the of a drinking cup in the closed position, the left-side view being a mirror image thereof;
 FIG. 4 is a right-side view of the of a drinking cup in the open position, the left-side view being a mirror image thereof;
 FIG. 5 is a top plan view of a drinking cup;
 FIG. 6 is a bottom plan view of a drinking cup;
 FIG. 7 is a perspective view of a drinking cup in the closed position; and,
 FIG. 8 is a perspective view of a drinking cup in the open position.

1 Claim, 4 Drawing Sheets



(56)

References Cited

U.S. PATENT DOCUMENTS

2016/0174743 A1* 6/2016 Childs A47G 23/0233
220/740
2017/0027350 A1* 2/2017 Onza B65D 51/18

* cited by examiner

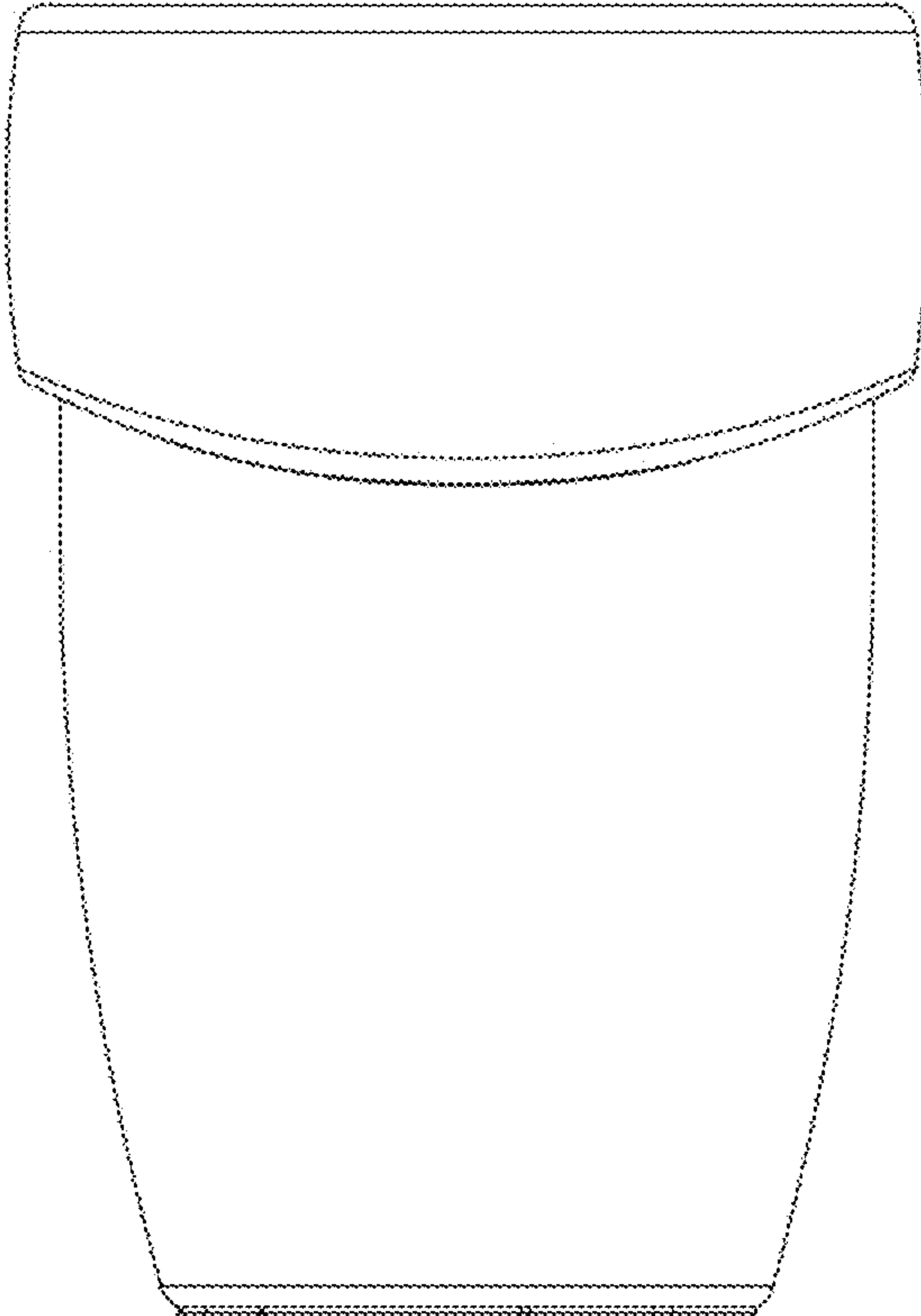


Fig. 1

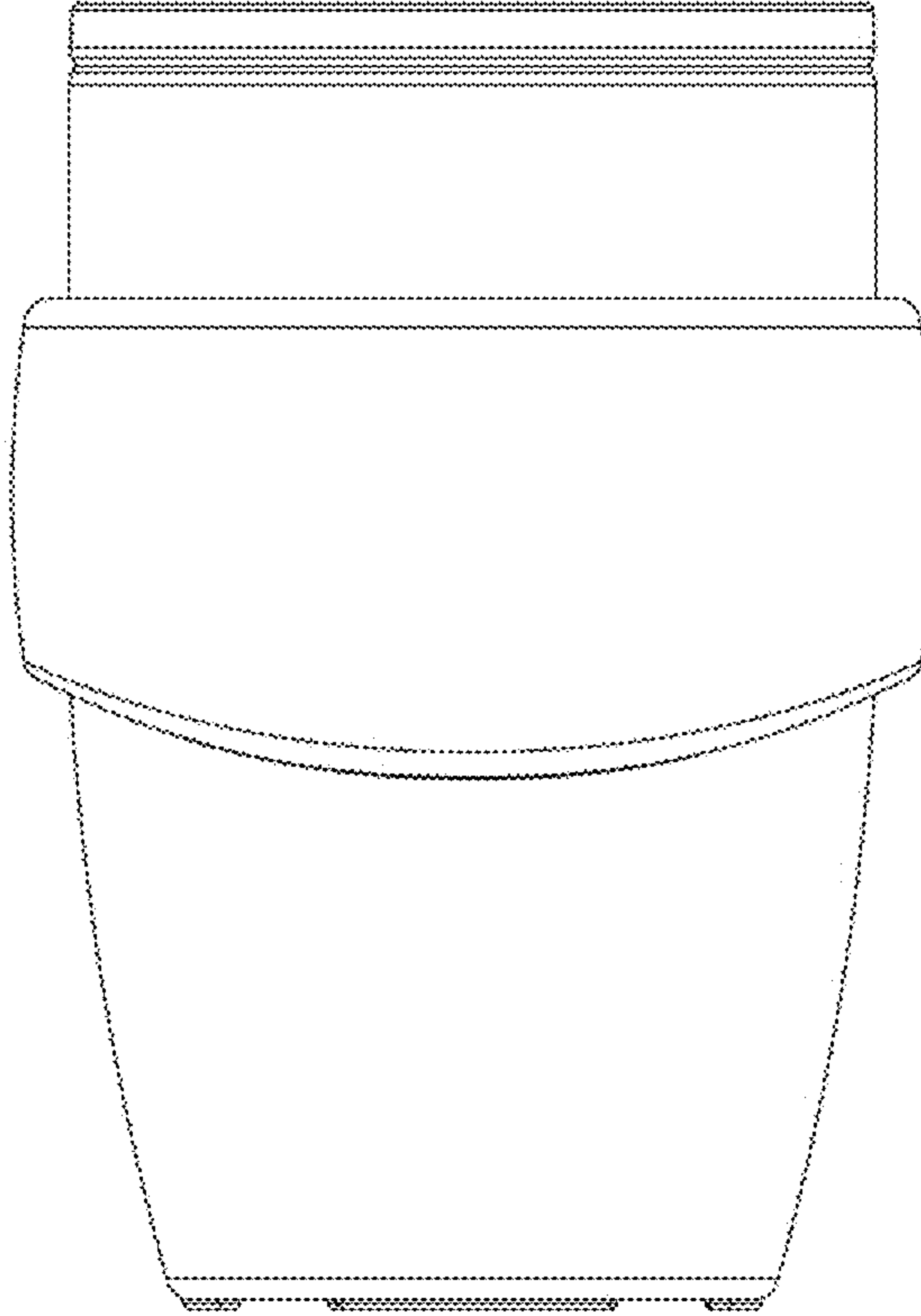


Fig. 2

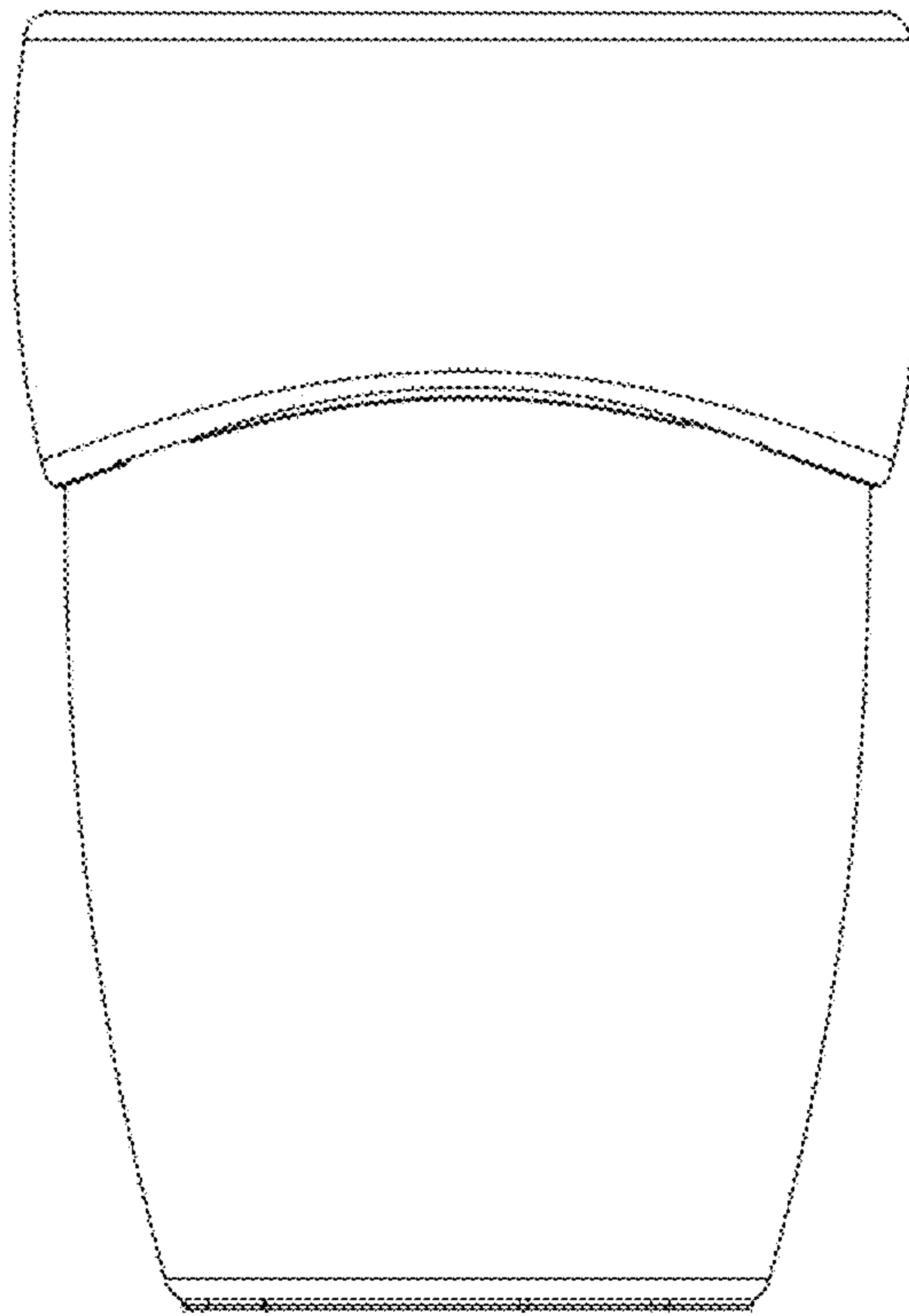


Fig. 3

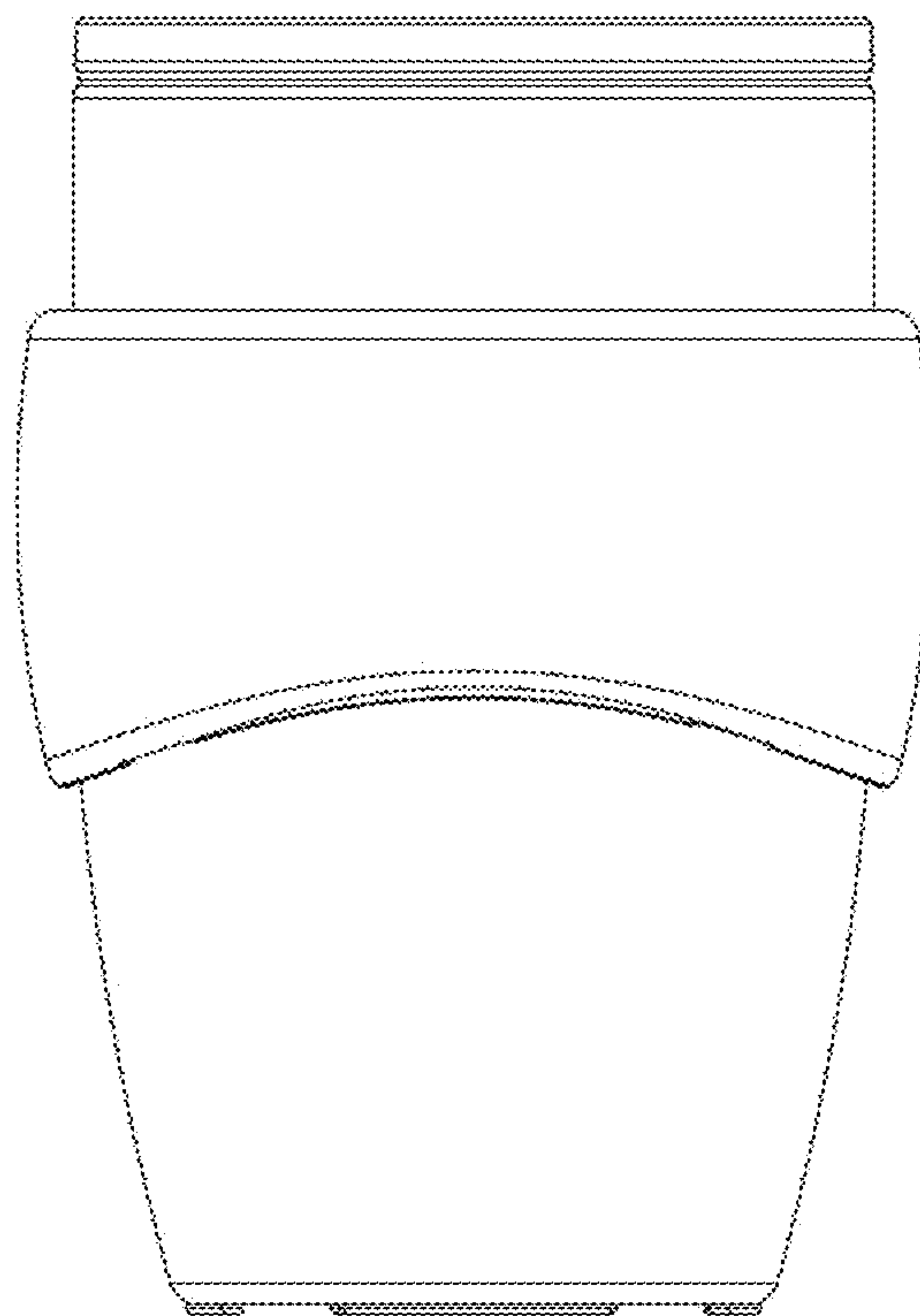


Fig. 4

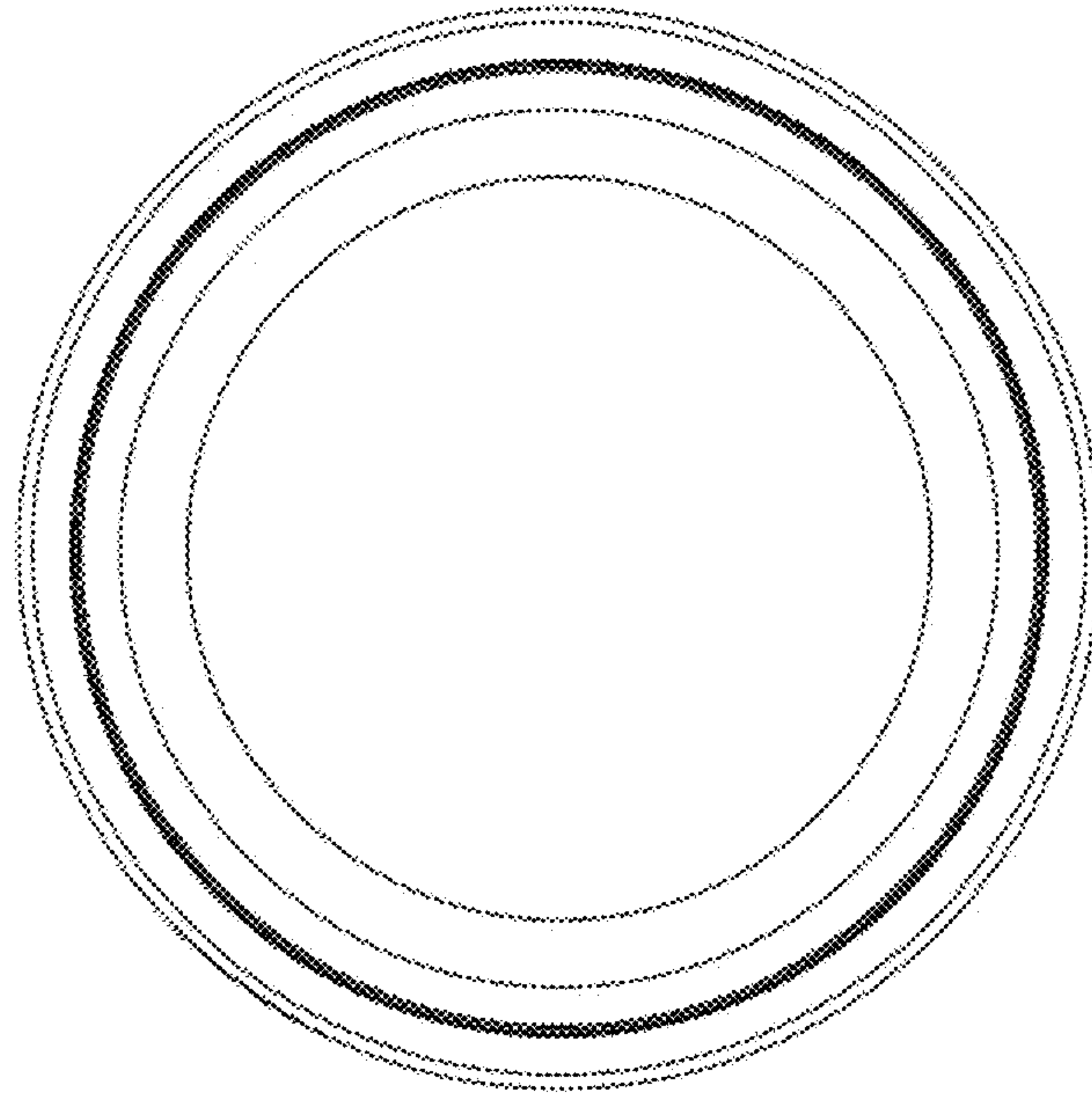


Fig. 5

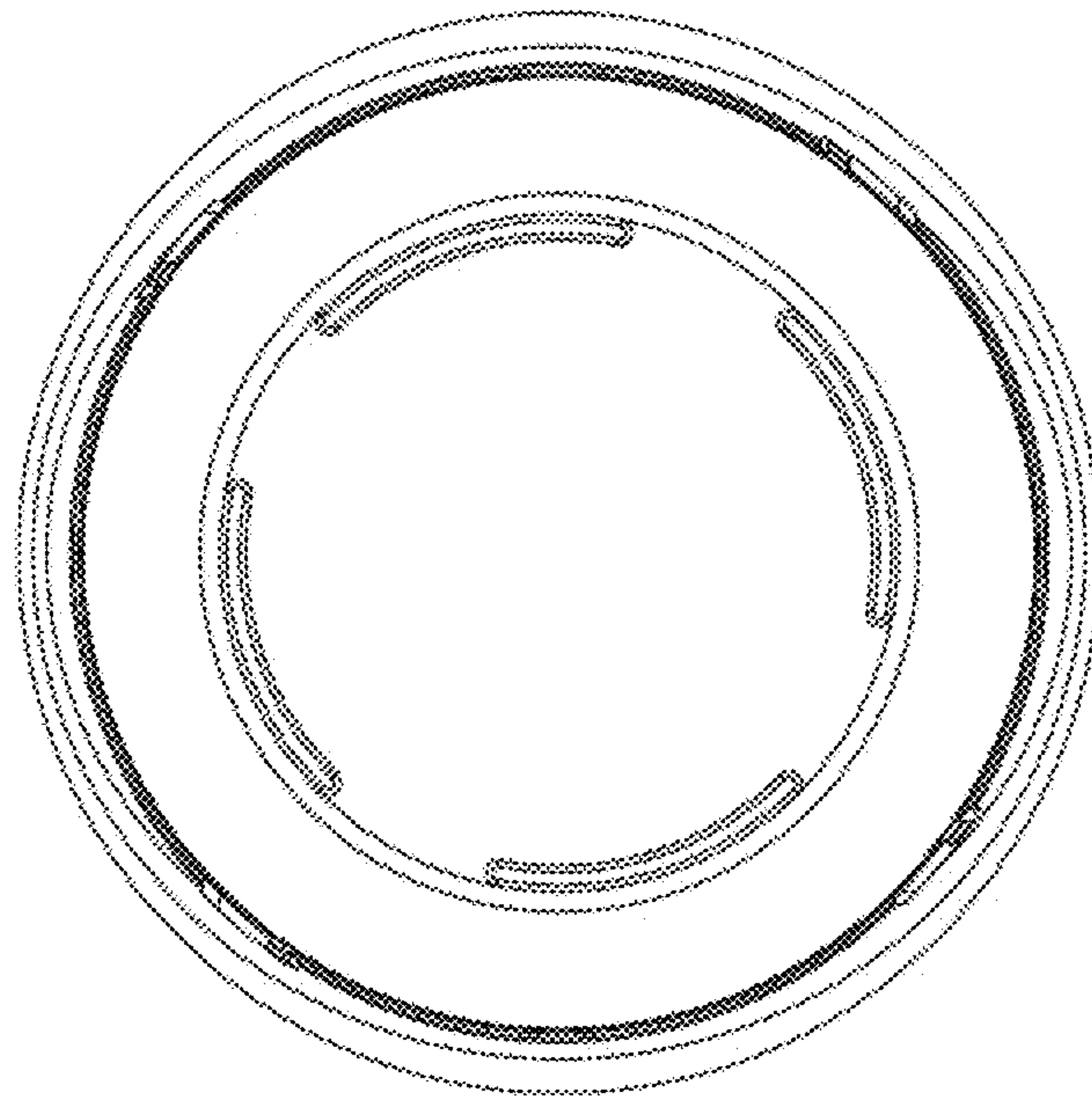


Fig. 6

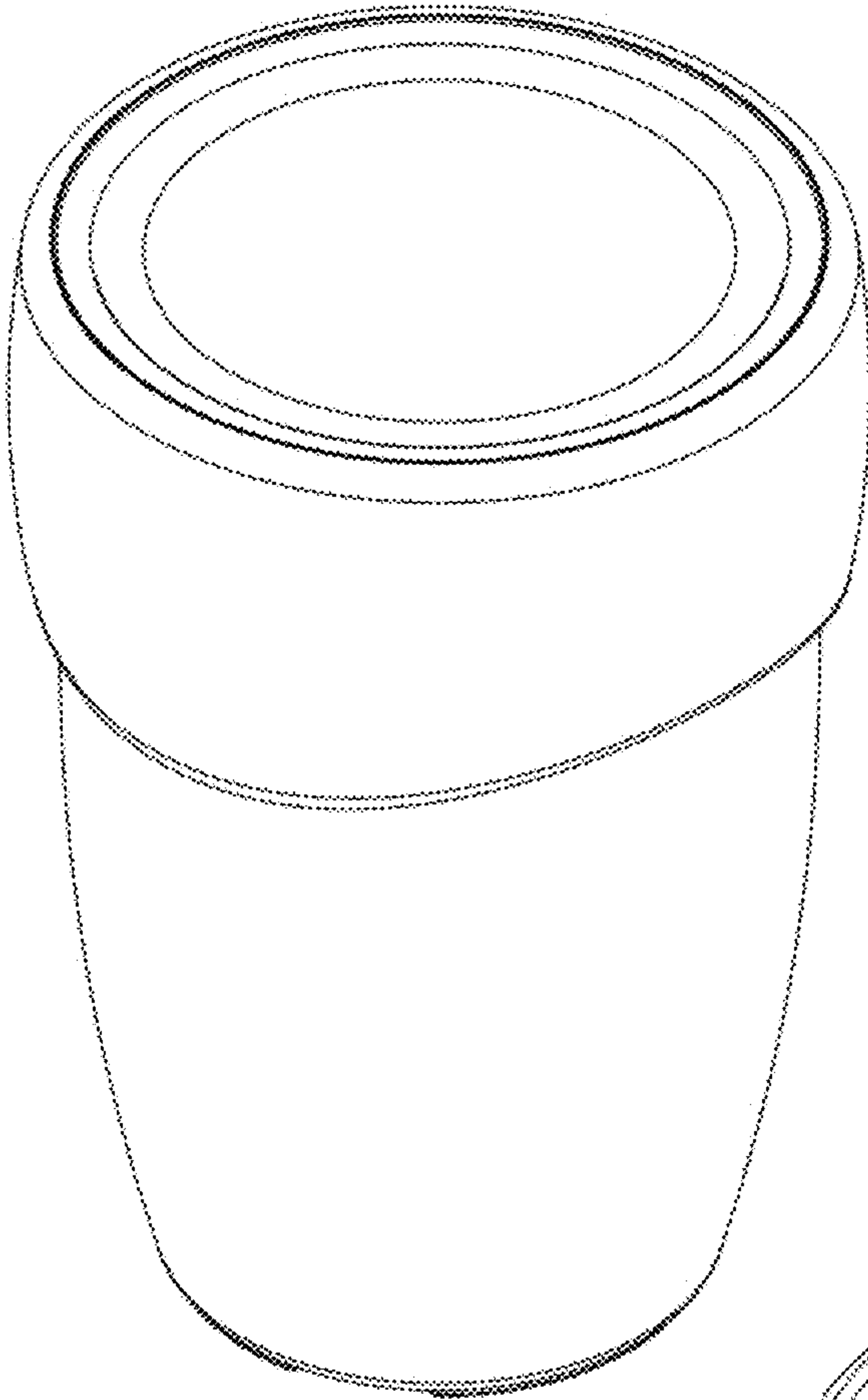


Fig. 7

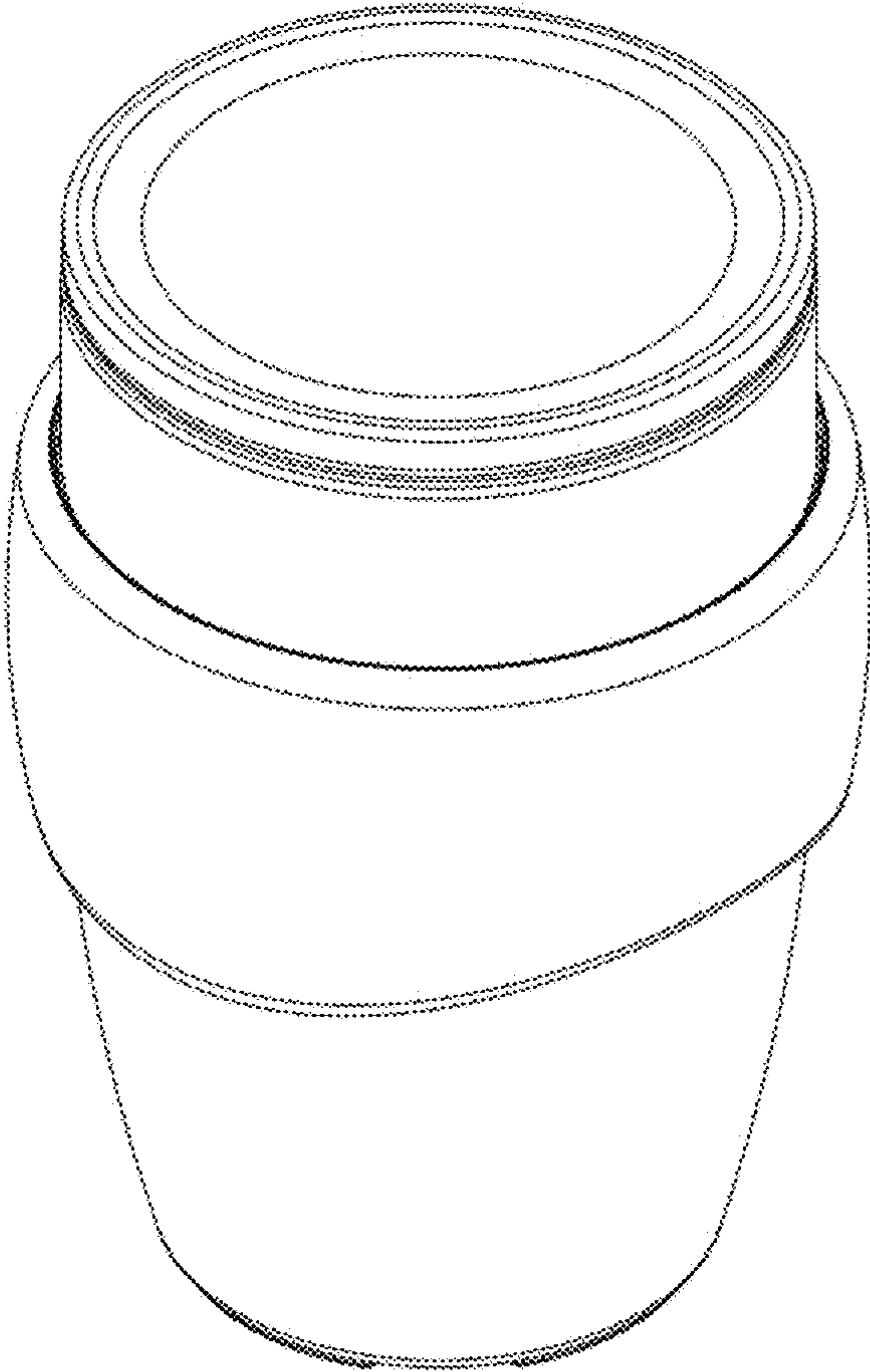


Fig. 8