



US00D873615S

(12) **United States Design Patent**
Steinmann

(10) **Patent No.:** **US D873,615 S**
(45) **Date of Patent:** **** Jan. 28, 2020**

(54) **PORTABLE BEVERAGE CONTAINER**

(71) Applicant: **Hydrovaze LLC**, Laguna Niguel, CA
(US)

(72) Inventor: **Hardy Steinmann**, Laguna Niguel, CA
(US)

(73) Assignee: **Hydrovaze LLC**, Laguna Niguel, CA
(US)

(**) Term: **15 Years**

(21) Appl. No.: **29/694,212**

(22) Filed: **Jun. 7, 2019**

Related U.S. Application Data

(63) Continuation of application No. 29/635,219, filed on Jan. 29, 2018, now Pat. No. Des. 855,402, which is a continuation of application No. 29/563,456, filed on May 4, 2016, now Pat. No. Des. 815,901.

(51) **LOC (12) Cl.** **07-01**

(52) **U.S. Cl.**
USPC **D7/510; D7/511; D7/523**

(58) **Field of Classification Search**
USPC D7/507, 509, 510, 511, 523, 529, 530, D7/531, 532, 533, 536, 608, 598, 300.1, D7/320, 629, 392.1, 396.2, 396.6, 387, D7/667; D9/435, 436, 443, 452, 453, D9/447, 440, 503; 220/592.16, 592.17, 220/705, 495.03; 215/381; D3/202
CPC A47G 19/22; A47G 19/2205; A47G 19/2211; A47G 19/2266; A47G 19/2272; A45F 3/16; B65D 47/066
See application file for complete search history.

(56) **References Cited**

U.S. PATENT DOCUMENTS

D179,880 S * 3/1957 Bramming D7/608
3,184,890 A * 5/1965 McKey A01G 9/0291
47/73

D345,897 S * 4/1994 Vitez D7/608
D371,936 S * 7/1996 Goto D7/509
5,857,584 A * 1/1999 Taggart A47G 19/2211
220/23.9
6,237,820 B1 * 5/2001 Saxton A45F 3/16
215/395
D492,547 S * 7/2004 Hsu D7/523
D510,681 S * 10/2005 Liu D7/523
D529,766 S * 10/2006 Cunningham D7/624.2
D535,152 S * 1/2007 Gluck D7/509
D544,304 S * 6/2007 Gluck D7/511

(Continued)

Primary Examiner — Jae Liang

(74) *Attorney, Agent, or Firm* — Morgan, Lewis & Bockius LLP

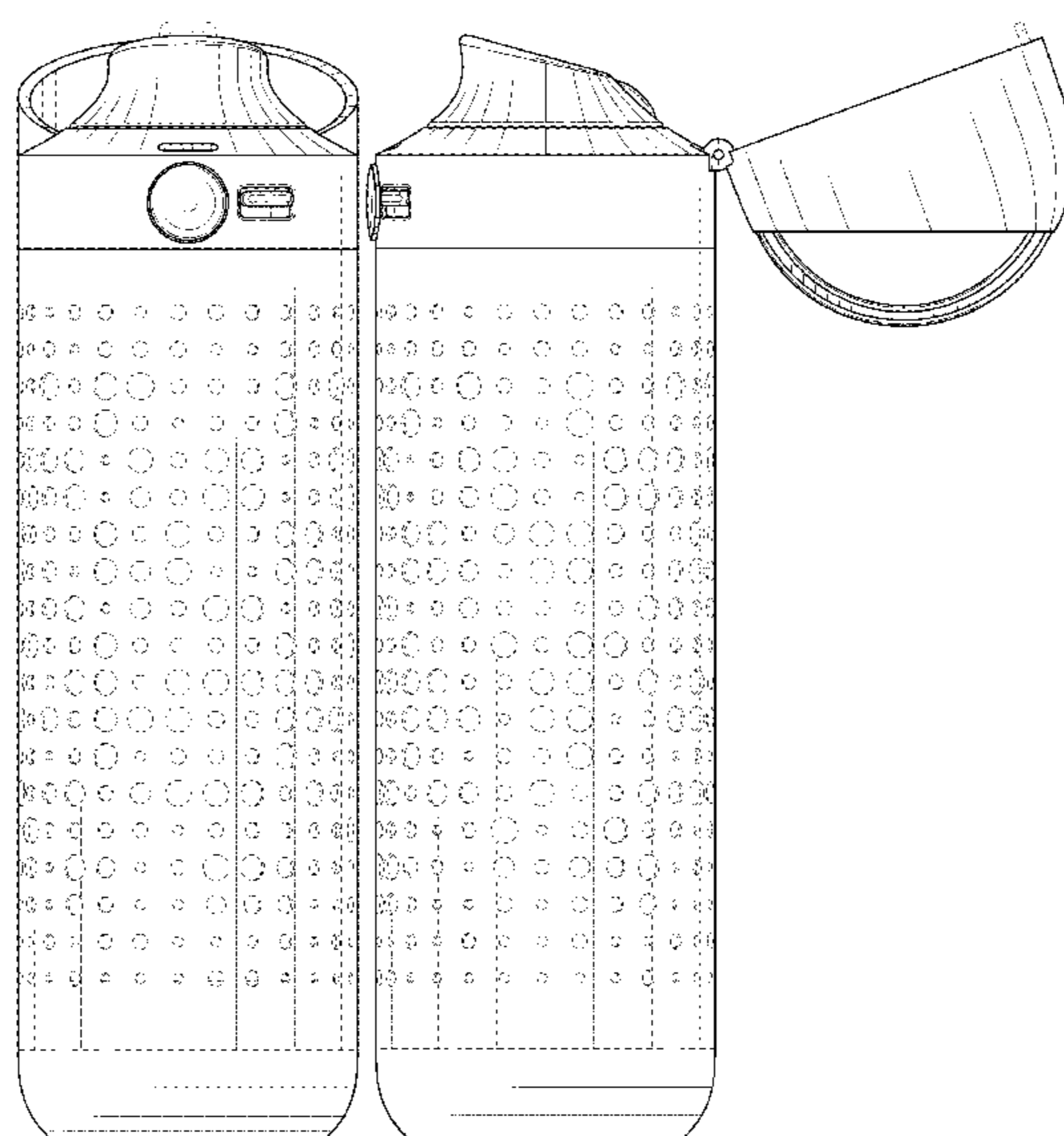
(57) **CLAIM**

I claim the ornamental design for a portable beverage container, as shown and described.

DESCRIPTION

FIG. 1 is a top front perspective view of a portable beverage container showing my new design;
FIG. 2 is a front perspective view of the portable beverage container shown in FIG. 1
FIG. 3 is a rear perspective view of the portable beverage container shown in FIG. 1;
FIG. 4 is a left side view of the portable beverage container shown in FIG. 1;
FIG. 5 is a right side view of the portable beverage container shown in FIG. 1;
FIG. 6 is a top view of the portable beverage container shown in FIG. 1; and,
FIG. 7 is a bottom view of the portable beverage container shown in FIG. 1.
The broken lines in the drawings depict portions of the portable beverage container that form no part of the claimed design.

1 Claim, 5 Drawing Sheets



(56)

References Cited

U.S. PATENT DOCUMENTS

D552,420 S * 10/2007 Liu D7/509
 D575,580 S * 8/2008 Germany D7/392.1
 D588,411 S * 3/2009 Watanabe D7/507
 D603,653 S * 11/2009 Wong D7/509
 D607,698 S * 1/2010 Tsukida D7/608
 D615,816 S * 5/2010 Joy D7/507
 D616,744 S * 6/2010 Cresswell D9/443
 D618,065 S * 6/2010 Joy D7/607
 D623,476 S * 9/2010 Carlson D7/510
 D627,602 S * 11/2010 Eyal D7/510
 D629,259 S * 12/2010 Joy D7/607
 D643,092 S * 8/2011 Bandawat F24F 6/14
 D23/202
 D656,365 S * 3/2012 Bickert D7/523
 D675,100 S * 1/2013 Herbst D7/511
 D700,060 S * 2/2014 Trevisan D9/688
 D714,590 S * 10/2014 Liotta D7/515
 D730,429 S * 5/2015 Anari D16/237
 D732,892 S * 6/2015 Keys D7/510
 D736,563 S * 8/2015 George D7/510
 D741,657 S * 10/2015 George D7/509
 D743,206 S * 11/2015 Pendleton D7/509
 D756,706 S * 5/2016 Kushner D7/509
 D759,902 S * 6/2016 Kim D29/125

D760,528 S * 7/2016 Szekely D9/563
 D767,337 S * 9/2016 Boroski D7/510
 D772,972 S * 11/2016 Anari, III D16/243
 D774,358 S * 12/2016 Joseph D7/510
 D777,514 S * 1/2017 McMullin D7/400
 D778,173 S * 2/2017 Pisarevsky D3/203.3
 D783,369 S * 4/2017 Matsuo D7/608
 D801,173 S * 10/2017 Lown D9/449
 D802,375 S * 11/2017 Kao D7/624.2
 D808,213 S * 1/2018 Lown D7/396.2
 D811,893 S * 3/2018 Bandawat D9/682
 D815,901 S * 4/2018 Steinmann D7/510
 D816,400 S * 5/2018 Beckman D7/396.2
 D821,146 S * 6/2018 Steinmann D7/510
 D824,218 S * 7/2018 Seiders D7/608
 D845,074 S * 4/2019 Gluck D7/510
 D847,574 S * 5/2019 Boroski D7/510
 D847,575 S * 5/2019 Rollens D7/510
 D848,792 S * 5/2019 Duvigneau D7/510
 D856,084 S * 8/2019 Valencia D7/510
 2013/0306630 A1 * 11/2013 Babinsky B65D 81/3869
 220/62.12
 2015/0144516 A1 * 5/2015 Shamoan B65D 25/04
 206/459.1
 2016/0159538 A1 * 6/2016 Michie A45F 3/16
 215/306

* cited by examiner

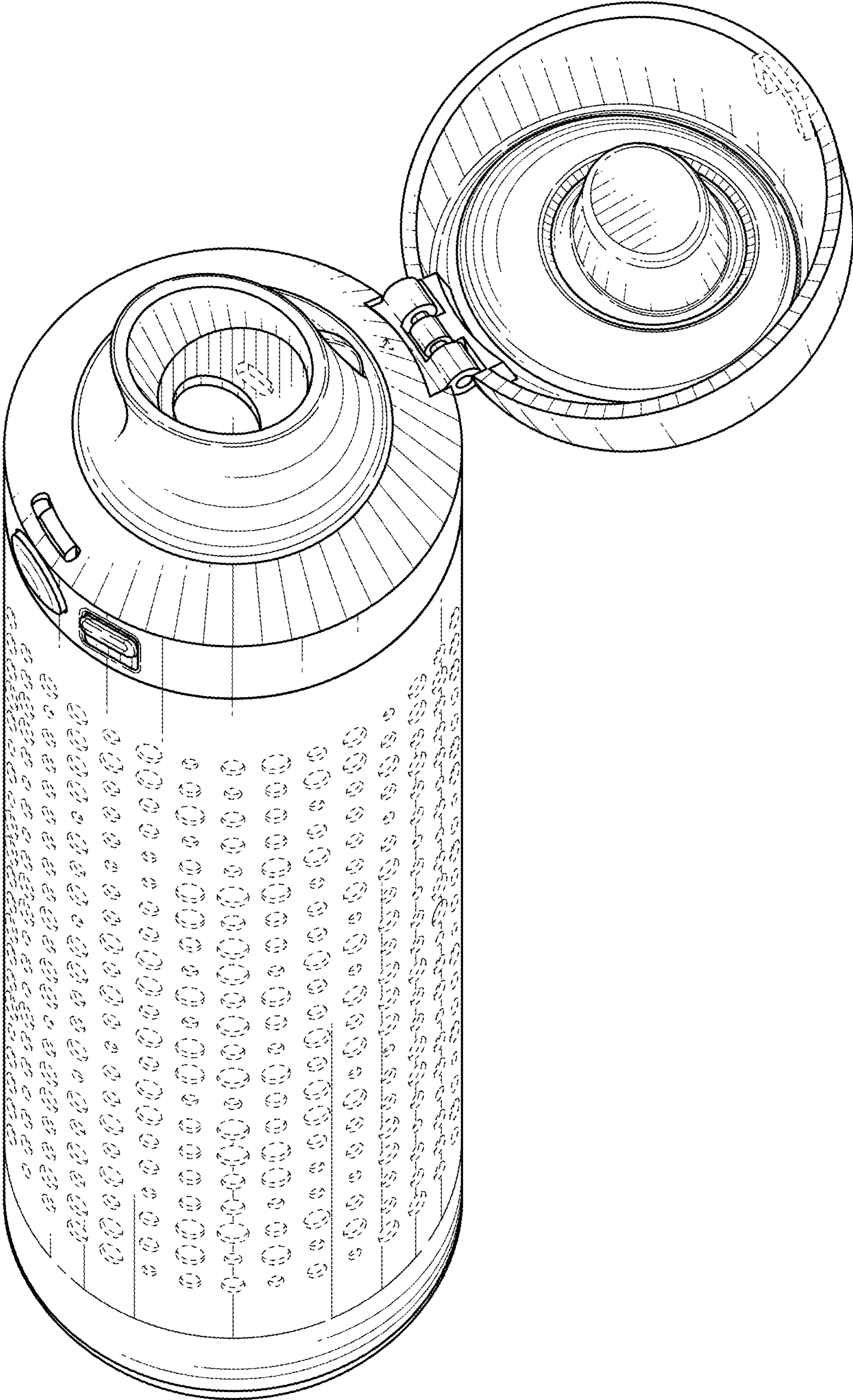


FIG. 1

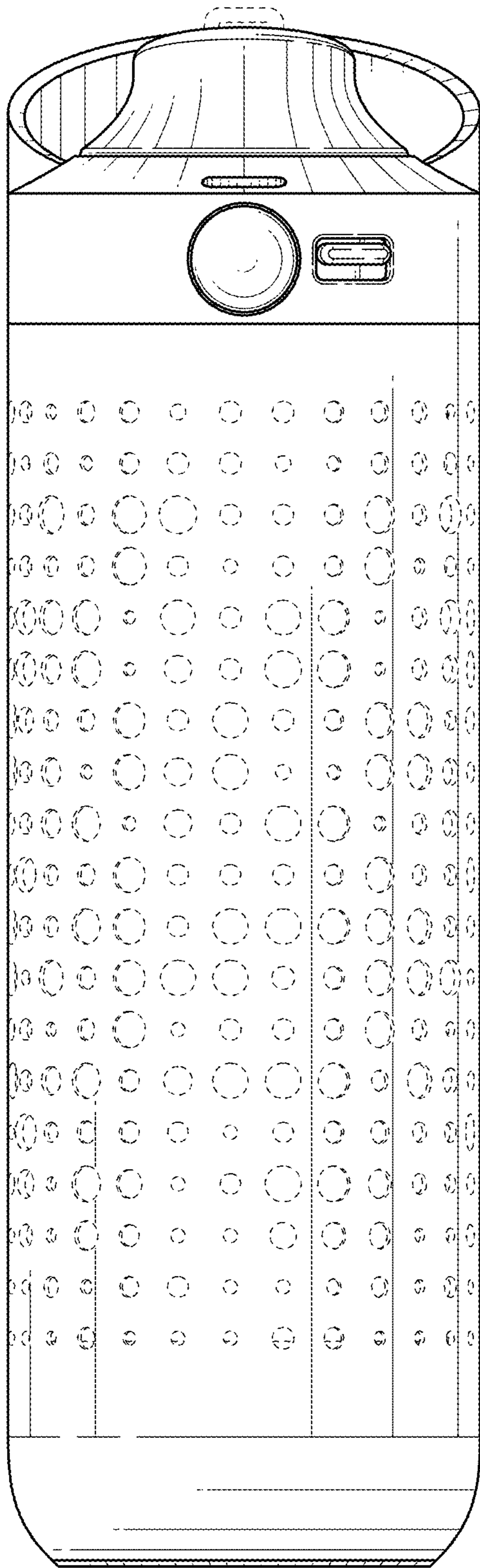


FIG. 2

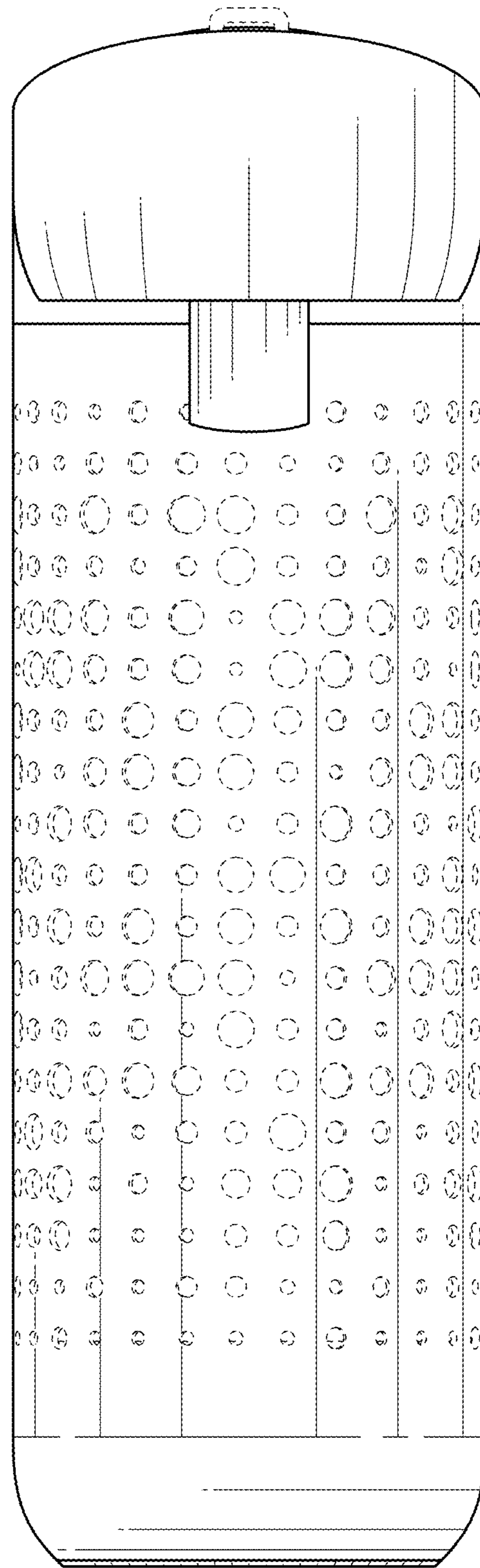


FIG. 3

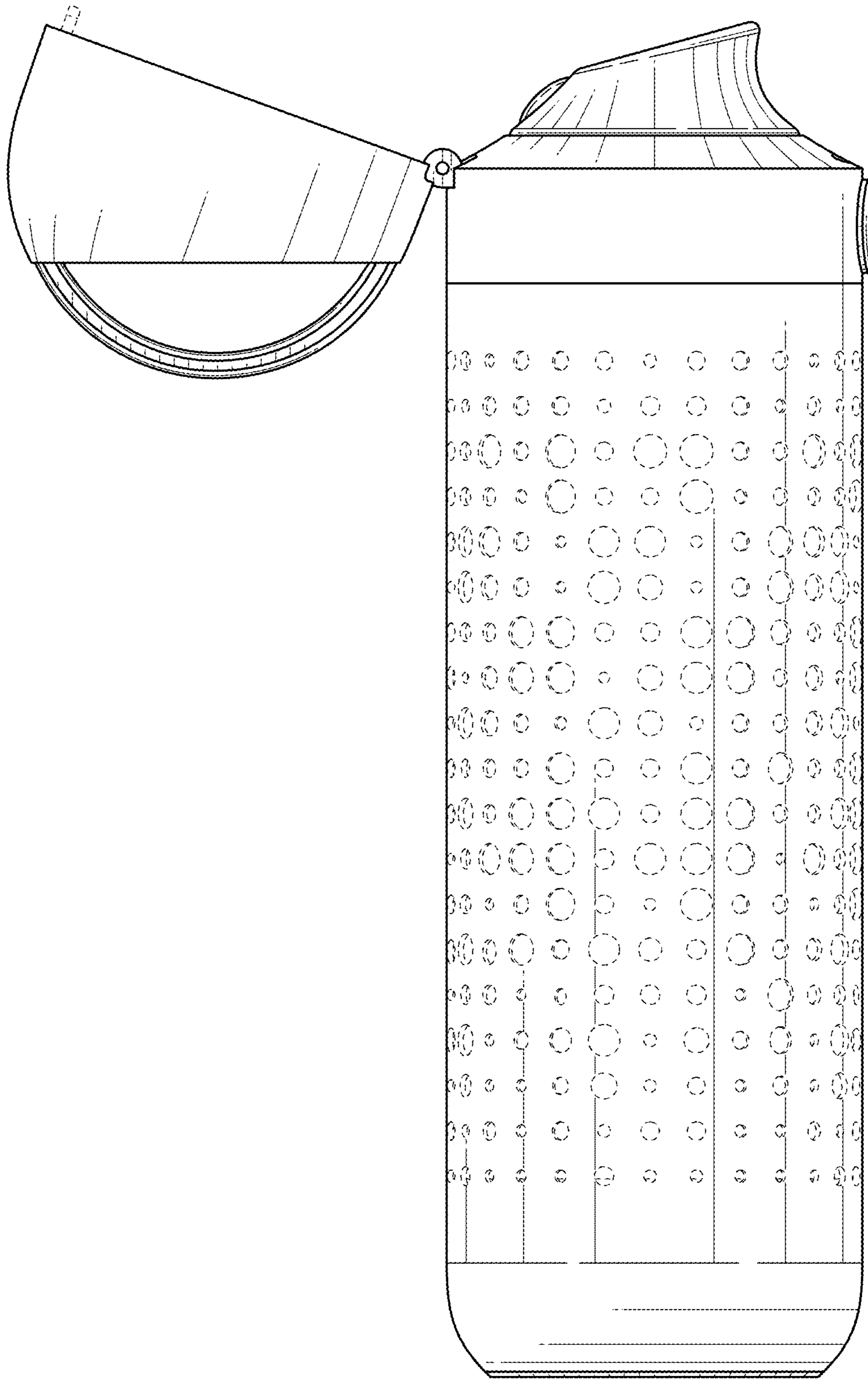


FIG. 4

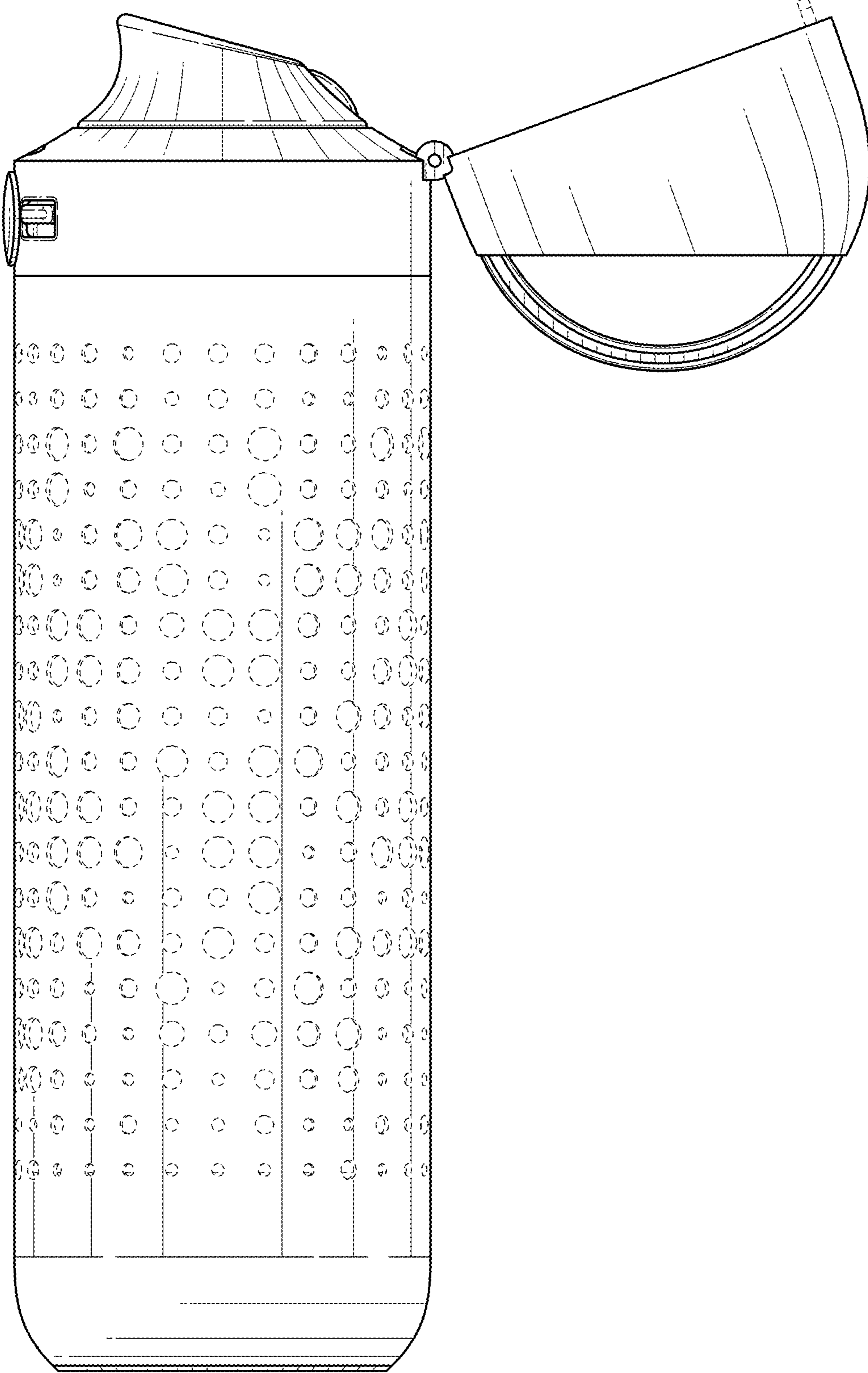


FIG. 5

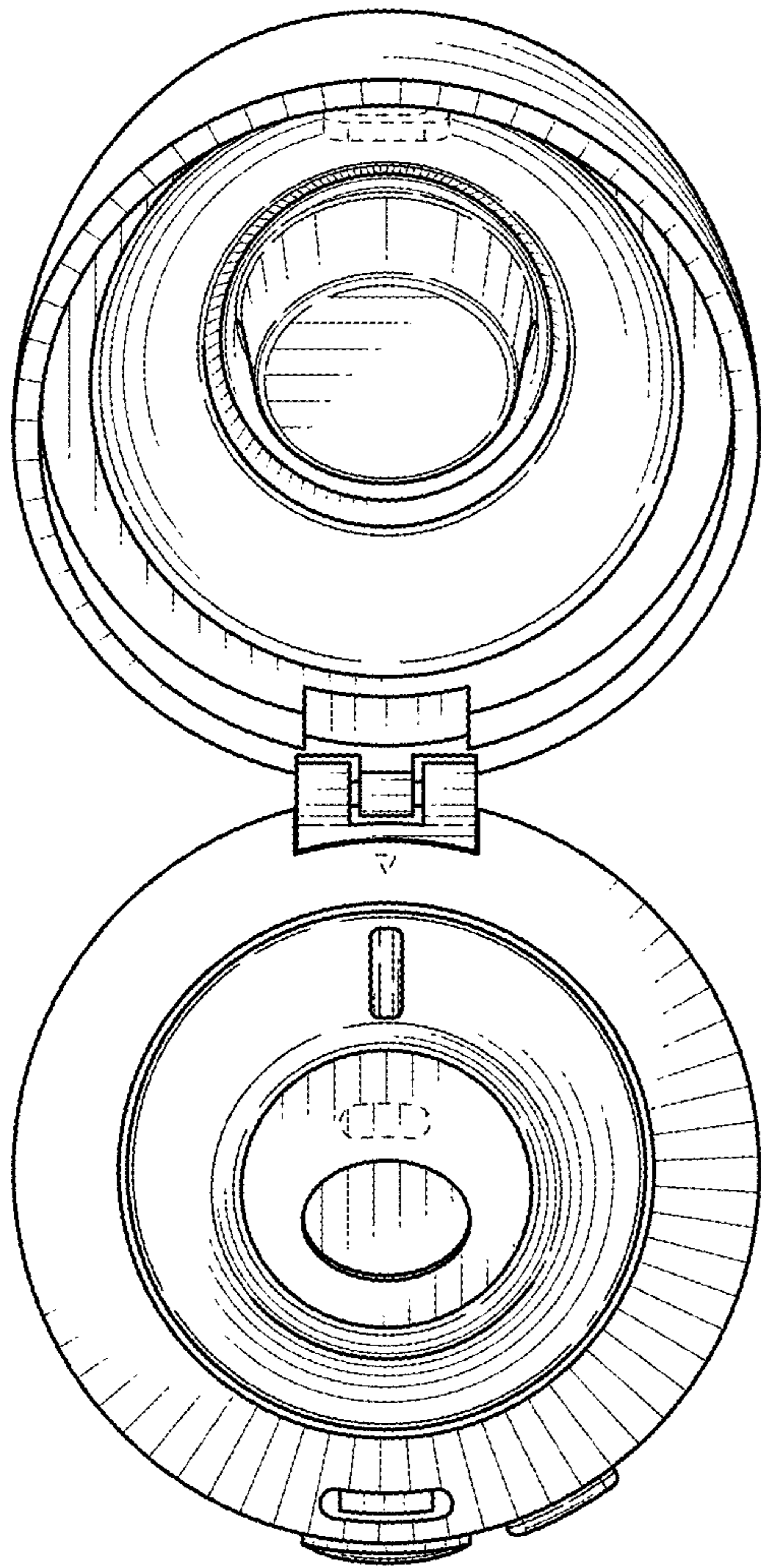


FIG. 6

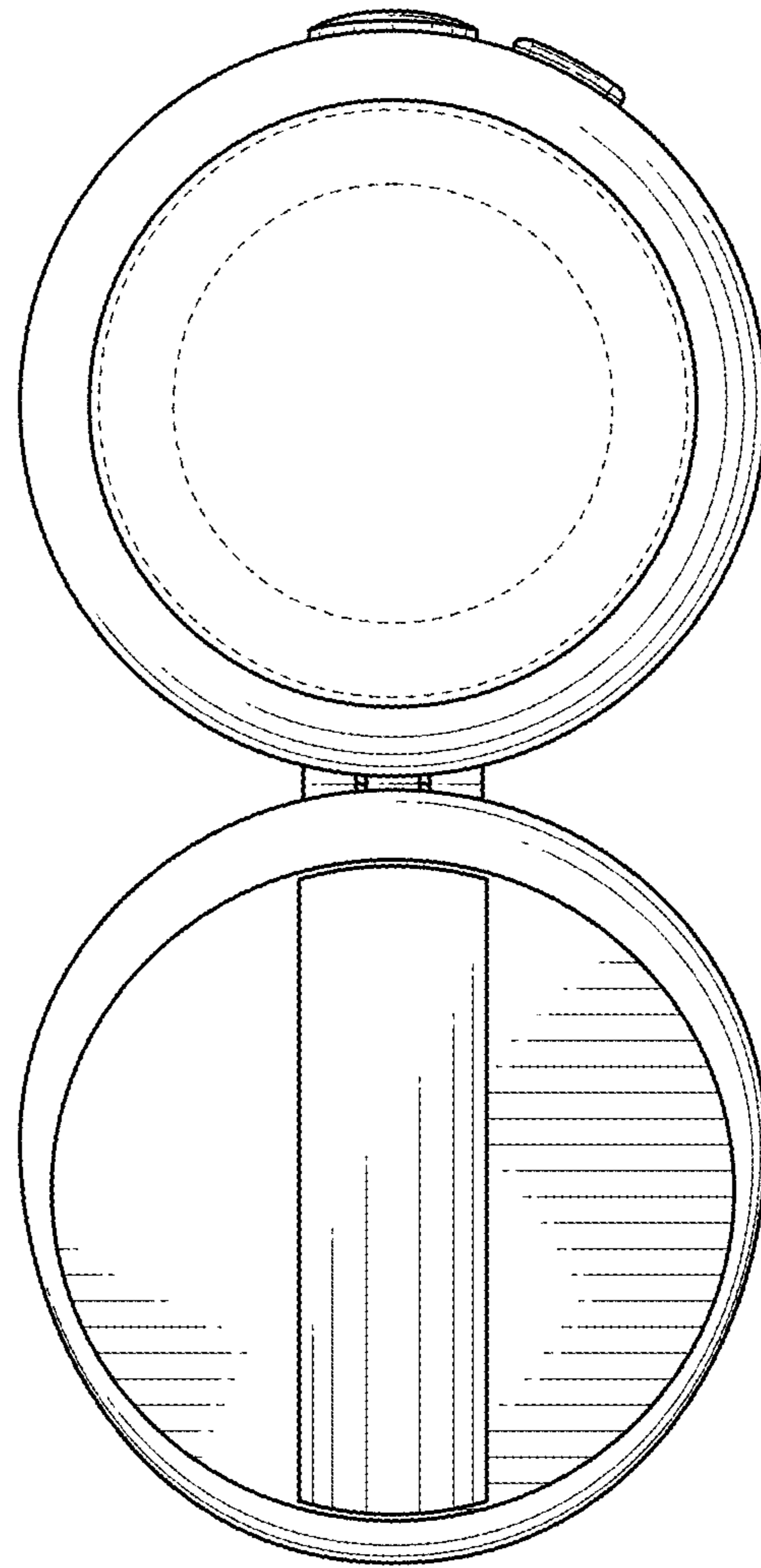


FIG. 7